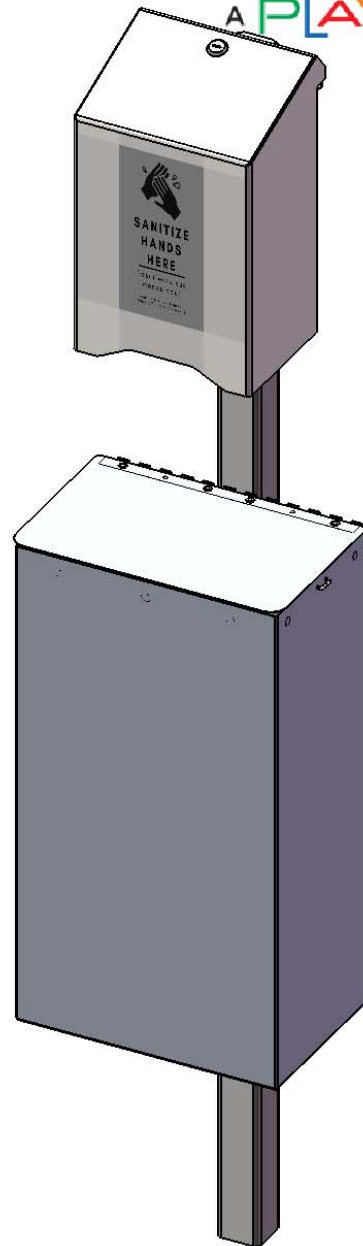




A PLAYCORE Company



1005S

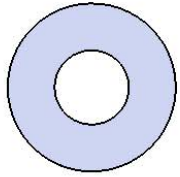


A PLAYCORE Company

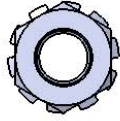
SAFETY WARNINGS & EQUIPMENT INSPECTION

- Owners and installers please note these safety warnings and make use of this checklist on a regular basis.
- Follow installation instructions when erecting equipment.
- Ground surfaces around equipment should be restored as needed. Concrete footings should never be exposed. Surface depth should comply with ASTM and CPSC specifications.
- Check for and repair damage caused by wear or vandalism, a major factor in injury causing situations.
- All protruding bolts should be covered or cut off and finished smooth. Sharp edges on pipes should be capped or removed. Check for bent, broken, or severely worn pipe, and replace.
- All equipment should be free of rust and repainted whenever necessary to deter rusting.
- We provide our customers with layout sheets and installation instructions. Please keep on file the specifications sheet that contains the listing of every part used.
- Never add components not intended for use with this product.
- Regular maintenance is necessary in this and all park and recreational equipment to insure the safety of the user.
- Note: Proper maintenance of equipment requires regular tightening of all bolts, nuts, and setscrews.
- Note: Regular checking of all parts, castings, etc. should be made. If a part is broken or worn, it should be replaced immediately.
- Check to be sure all fittings are tight and that bars and pipes do not move.
- Replace all worn S-hooks. S-hooks must be completely closed. Failure to close S-hooks can result in serious injury to the user. NEVER reuse S-hooks.
- Test for free movement of swing hanger and other moving attached parts.
- Check for worn chains and replace them.
- A soft resilient surface should be placed under all swings extending at least twice the height of the top rail both front and back.

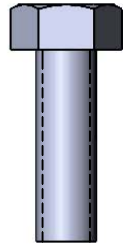
HARDWARE



5/16" WASHER

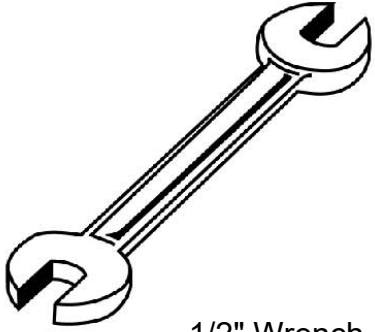


5/16" KEP NUT

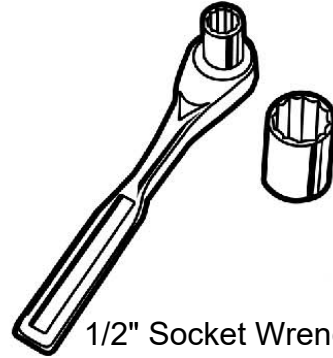


5/16" x 1" MACHINE BOLT

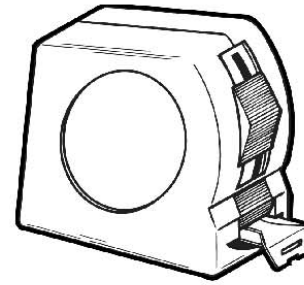
TOOLS REQUIRED



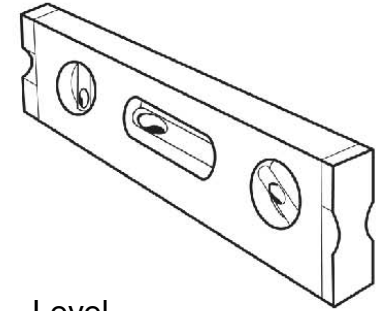
1/2" Wrench



1/2" Socket Wrench



Tape Measure



Level

ULTRA SITE PRODUCT SPECIFICATIONS

1005SM POST MOUNTED AUTOMATIC HOLDER AND RECEPTACLE

Dispenser Enclosure: 14 gauge steel. Enclosure includes lock. Dispenser is not included.

Receptacle: 20 gauge aluminum, riveted together.

Post: 2" square x 11ga pre-galvanized structural steel tubing. Surface mount plate is 6" x 6" x 1/4" steel plate. Mounting holes are spaced 4" apart, center to center. Electrically MIG welded.

Coating: Electrostatic powder coat, oven cured

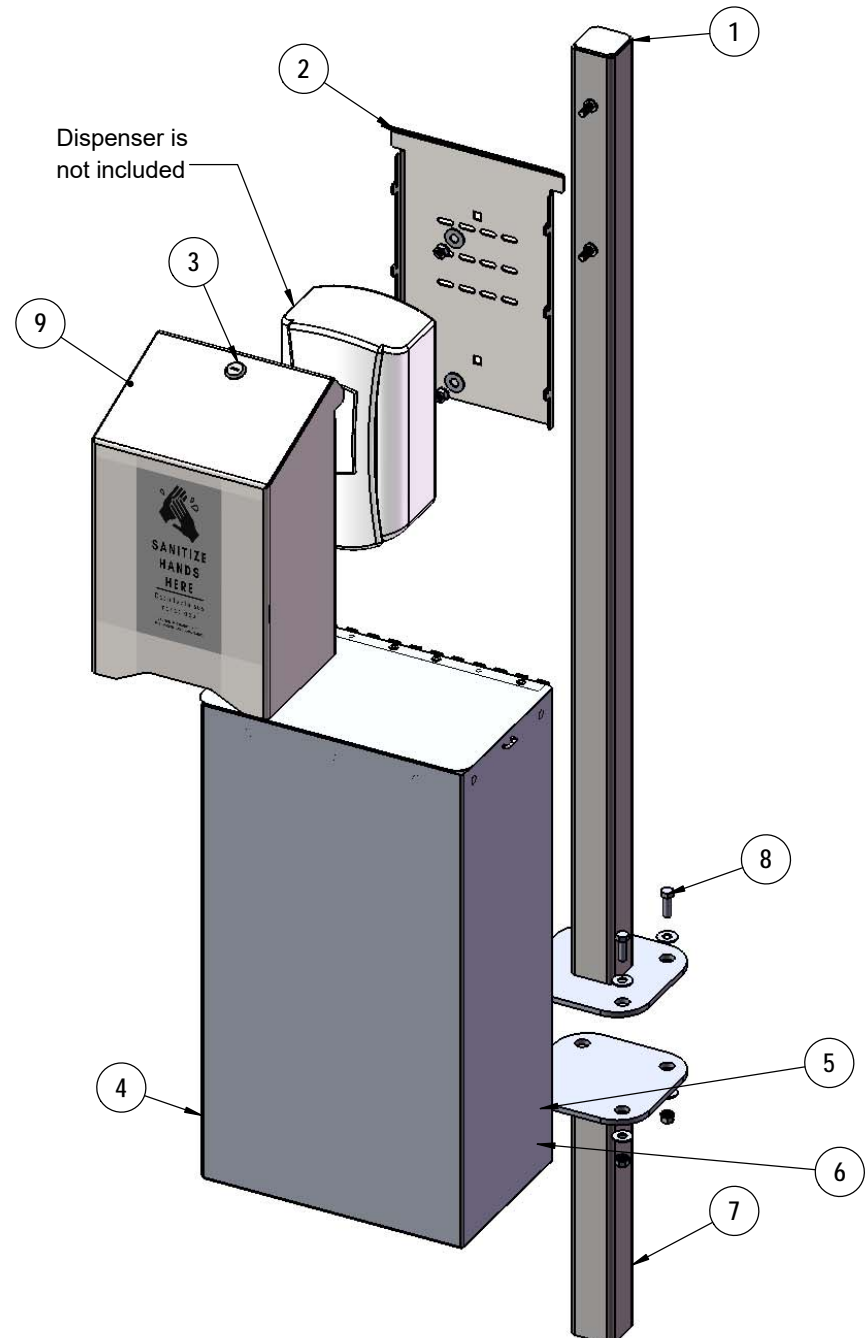
Hardware: Stainless steel hardware fasteners.

Receptacle Dimensions: 12-5/16" wide x 8" deep x 23" tall.

Sanitizer Enclosure Dimensions: 8-3/8" wide x 6-3/4" deep x 13-1/2" tall

Overall Dimensions: 12-5/16" wide x 10" deep x 47" tall

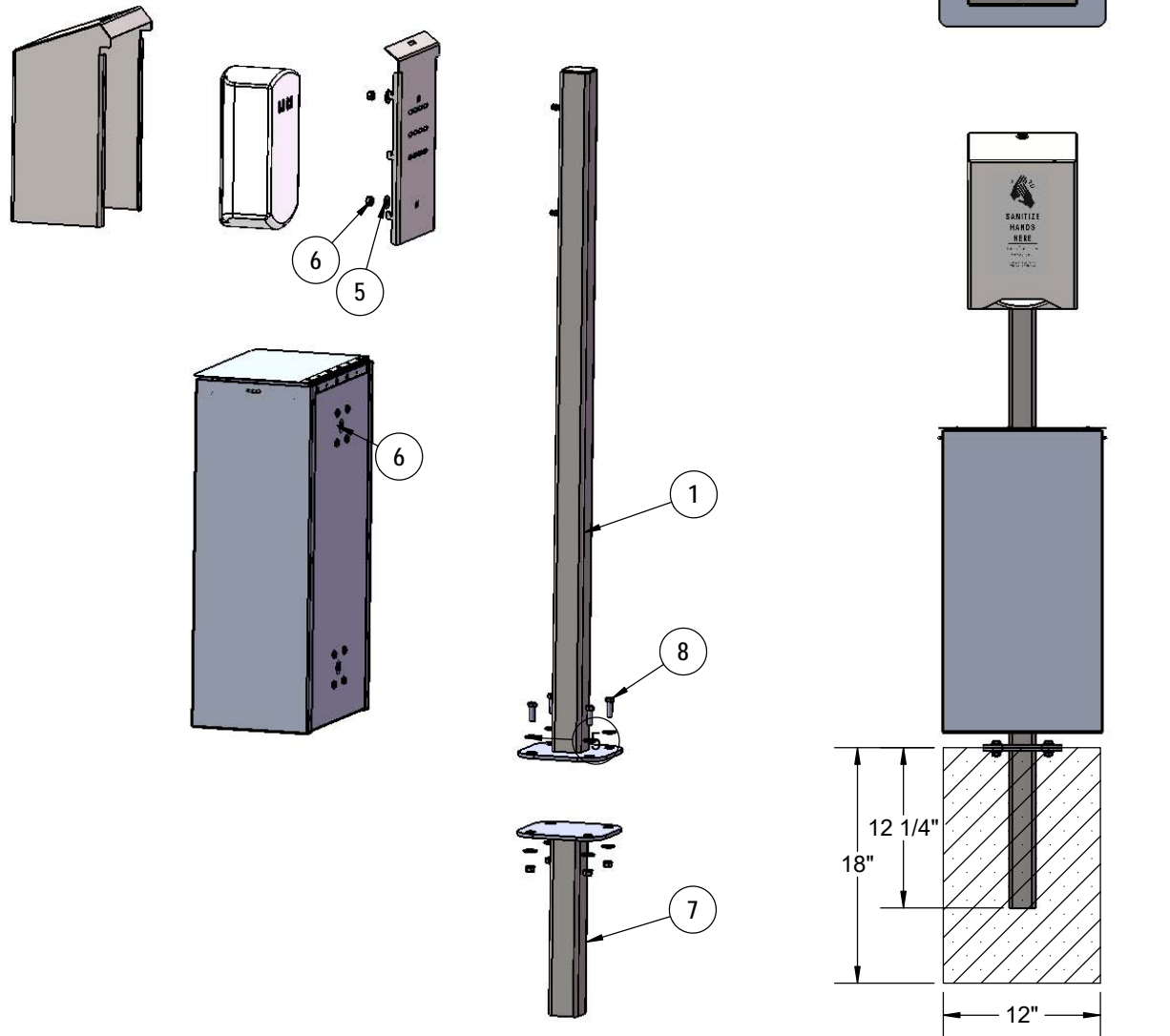
COMPONENTS



ITEM NO.	PartNo	DESCRIPTION	QTY.
1	01-05-0307	hand sanitizer post	1
2	01-05-0309	automatic dispenser hand sanitizer back	1
3	01-08-0106	Cabinet Lock w/ Keys (REF# VLT-080813-LM1)	1
4	01-05-0302	hand sanitizer receptacle assembly	1
5	33-02-0007	5/16" SS Washer	12
6	33-03-0012	5/16" Kep Nut (SS)	8
7	01-05-0306	hand sanitizer inground footer	1
8	33-05-0029	5/16" x 1" Machine Bolt (SS)	4
9	01-05-0311	automatic dispenser hand sanitizer front	1
10	01-05-0312	sanitize hands here label	1

STEP 1

Attach footer to post using specified hardware. Set footer & post in hole and pour concrete. Attach receptacle and enclosure to post using specified hardware. Attach dispenser to back plate and attach cover to back plate. Apply label to front cover.



Estimated Required Concrete:
4 - 50lb Bags of Concrete Mix

OVERALL DIMENSIONS

