

Castaway
BT-209

This play equipment is
recommended for
children ages
5-12

Scale: 1/4" = 1'-0"
This drawing can be
scaled only when in
an 11" x 17" format

Drawn By:
Jason Roberts
Date:
07/31/2018
Quote Number:
BT-209

BigToys

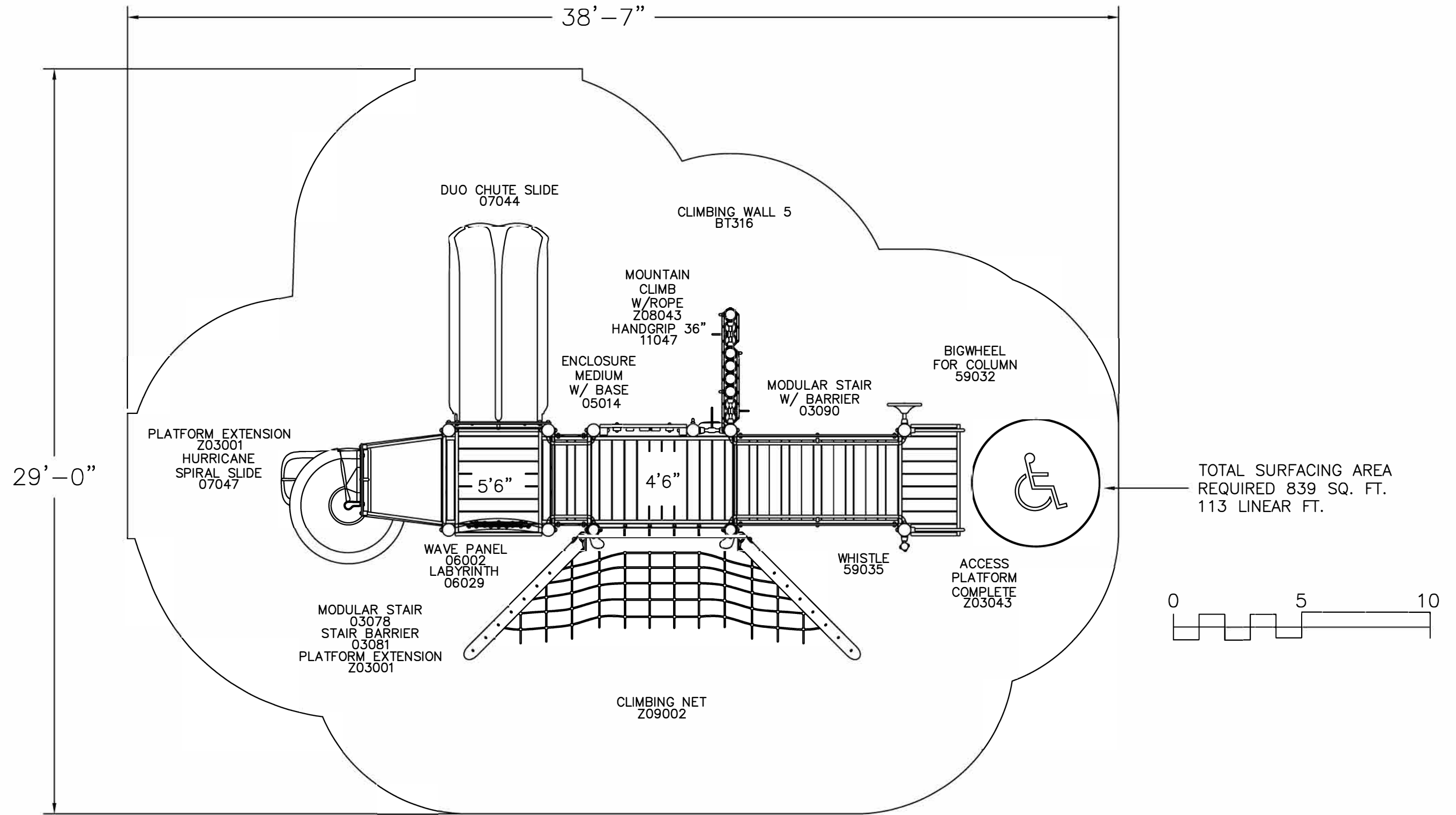
544 Chestnut Street
Chattanooga, TN.37402
866.814.8697 www.bigtoys.com



| | |
|---|----------|
| Total Play Components | 8 |
| Elevated Play Components | 6 |
| Elevated Play Components Accessible by Ramp | 0 Req. 0 |
| Elevated Components Accessible by Transfer | 6 Req. 3 |
| Accessible Ground Level Components Shown | 2 Req. 2 |
| Different Types of Ground Level Components | 2 Req. 2 |

User Capacity
30 - 40
Critical Fall Height
6'-0"

Bigtoys



It is the manufacturer's opinion that the structure shown herein complies with current ada standards concerning accessibility if used with proper accessible surfacing and together with other necessary ground level play equipment.

IMPORTANT: Never install play equipment over hard, unresilient surfaces such as asphalt, concrete, or compacted earth. It is the owner's responsibility to ensure the "minimum area required" contains an appropriate amount of resilient material to cushion accidental falls.