

MBT314 CLIMBING WALL 1 - METAL BT314 CLIMBING WALL 1 - WOOD

Parts List			
DESCRIPTION	MBT314	BT314	PART NUMBER
END CAP	17	17	G010
COLUMN END FITTING - METAL	17	0	M600
COLUMN END FITTING - WOOD	0	17	Z600
12'-0" ALUMINUM COLUMN-PALISADE - METAL	5	0	404459
12' COLUMN - WOOD	0	5	Z012
2'-0" ALUMINUM COLUMN-PALISADE - METAL	2	0	404437
2' COLUMN - WOOD	0	4	Z002
2'-0" ALUMINUM COLUMN	2	0	404642
5'-0" ALUMINUM COLUMN-PALISADE - METAL	2	0	404465
5' COLUMN - WOOD	0	2	Z005
6'-0" ALUMINUM COLUM-PALISADE - METAL	4	0	404583
6' COLUMN - WOOD	0	4	Z006
CLIMBING CLEAT	34	34	G356
CLIMB ROPE	1	1	G313
24" HANDGRIP	5	5	401691
CLIMB ROPE SUPPORT PIPE	1	1	401711
PIPE w/SPACER	0	10	402381
--- HARDWARE COMPLETE ---	1	0	404643
--- HARDWARE COMPLETE ---	0	1	404644
3/8" CHAIN ANCHOR	1	1	C121
EAGLE FASTENER	0	80	G000
1/2" THREADED INSERT	110	0	M000
HOLE PLUG - METAL	162	0	M005G
HOLE PLUG - WOOD	0	162	G005G
PALISADE SPACER	0	53	G012
DO-NUT BASE 12MM	78	78	G034
DO-NUT CAP 12MM	78	78	G036
ROPE CLIMB CASTING	2	2	9225
10" PIPE	0	5	401991
PIPE MOUNT BODY - 1"	2	2	404153
PIPE MOUNT CAP - 1"	2	2	404154
#10 x 1/2" SHEET METAL SCREW	51	0	810062
#10 x 2" WOOD SCREW	0	51	815507
1/4" x 15/32" DRIVE RIVET	34	0	805303
3/8" x 1" B.H.C.S.	4	4	811050
3/8" x 2" SOCKET HEAD CAP SCREW SS	2	2	816087
3/8" HEX NUT NC NYLOCK SS	4	4	804380
1/2" x 1-3/4" HEX HEAD BOLT	110	80	801206
1/2" INTERNAL TOOTH LOCK WASHER	10	10	817201
1/2" LOCKWASHER	2	2	817342
1/2" FLAT WASHER	30	0	817412
ASSY MATERIALS 5-12 ONLY	1	0	12004E
ASSY MATERIALS 5-12 ONLY	0	1	12004C

MBT314 CLIMBING WALL 1 - METAL BT314 CLIMBING WALL 1 - WOOD

Unless Otherwise Specified, All Units of Measure are Each

Items listed below Hardware Complete line are included with Hardware Complete Number

Warning: During Installation, Hardware And Small Parts Are Choking Hazards For Young Children. Store Unused Parts Appropriately Until Assembly Is Completed. Once Assembly Is Completed, Remove Any Unused Parts From The Play Environment And Dispose/Save Them In A Secure Location. Any bolt end protruding more than two full threads beyond the face of the nut causes risk of clothing entanglement.

Promptly cut-off flush, file smooth, and treat to prevent corrosion.

Note: Peen Tee-Nuts and Flatwashers to match radius of pipe after assembly is complete.

Note: Loctite (supplied by others) should be used on any non-patch hardware.

INSTALLATION INSTRUCTIONS:

1. Dig holes according to the Ground Plan. See Ground Plan for dimensions and notes regarding surfacing, etc. NOTE: *Due to extremes in weather and soil conditions, hole sizes may have to be increased to meet local conditions.*
2. Attach (2) 12' Columns to (2) 6' Columns using top and bottom holes with 1/2" Threaded Insert, 1/2" Flat Washer, and 1/2" x 1 3/4" Hex Head Bolt. See Detail 037. If installing the wood version, use Pipe w/Spacer on top and bottom holes along with Palisade Spacer to connect Columns. See Detail 038. Refer to Typical Threaded Insert or Eagle Fastener Installation.
3. Attach Climbing Cleats to Columns at locations shown in Finished Assembly, using 1/2" Threaded Insert, 12mm Do-Nut Base, 1/2" x 1 3/4" Hex Head Bolt, and 12mm Do-Nut Cap. If installing the wood version, use Eagle Fastener, 12mm Do-Nut Base, 1/2" x 1 3/4" Hex Head Bolt, and 12mm Do-Nut Cap. See Detail 033. Refer to Typical Threaded Insert or Eagle Fastener Installation.
4. Place assembly in holes as shown in Ground Plan. **Note: If installing the wood version insert 10" pipe into bottom hole of Column. See Detail 039.**
5. Attach (2) 5' Columns to (2) 12' Columns using top and bottom holes with 1/2" Threaded Insert, 1/2" Flat Washer, and 1/2" x 1 3/4" Hex Head Bolt. See Detail 037. If installing the wood version, use Pipe w/Spacer on top and bottom holes along with Palisade Spacer to connect Columns. See Detail 038. Refer to Typical Threaded Insert or Eagle Fastener Installation.
6. Attach Climbing Cleats to Columns at locations shown in Finished Assembly, using 1/2" Threaded Insert, 12mm Do-Nut Base, 1/2" x 1 3/4" Hex Head Bolt, and 12mm Do-Nut Cap. If installing the wood version, use Eagle Fastener, 12mm Do-Nut Base, 1/2" x 1 3/4" Hex Head Bolt, and 12mm Do-Nut Cap. See Detail 033. Refer to Typical Threaded Insert or Eagle Fastener Installation.
7. Place assembly in holes as shown in Ground Plan. **Note: If installing the wood version insert 10" pipe into bottom hole of Column. See Detail 039.**
8. Attach (2) 6' Columns and (2) 12' Columns using top and bottom holes with 1/2" Threaded Insert, 1/2" Flat Washer, and 1/2" x 1 3/4" Hex Head Bolt. See Detail 037. If installing the wood version, use Pipe w/Spacer on top and bottom holes along with Palisade Spacer to connect Columns. See Detail 038. Refer to Typical Threaded Insert or Eagle Fastener Installation.
9. Attach Climbing Cleats to Columns at locations shown in Finished Assembly, using 1/2" Threaded Insert, 1/2" Flat Washer, and 1/2" x 1 3/4" Hex Head Bolt, and 12mm Do-Nut Cap. If installing the wood version, use Eagle Fastener, 12mm Do-Nut Base, 1/2" x 1 3/4" Hex Head Bolt, and 12mm Do-Nut Cap. See Detail 033. Refer to Typical Threaded Insert or Eagle Fastener Installation.
10. Place assembly in holes as shown in Ground Plan. **Note: If installing the wood version insert 10" pipe into bottom hole of Column. See Detail 039.**
11. Attach (4) 2' Columns and (2) 12' Columns using top and bottom holes with 1/2" Threaded Insert, 1/2" Flat Washer, and 1/2" x 1 3/4" Hex Head Bolt. See Detail 037. If installing the wood version, use Pipe w/Spacer on top and bottom holes along with Palisade Spacer to connect Columns. See Detail 038. Refer to Typical Threaded Insert or Eagle Fastener Installation.
12. Attach remaining Climbing Cleats to Columns at locations shown in Finished Assembly, using 1/2" Threaded Insert, 1/2" Flat Washer, and 1/2" x 1 3/4" Hex Head Bolt, and 12mm Do-Nut Cap. If installing the wood version, use Eagle Fastener, 12mm Do-Nut Base, 1/2" x 1 3/4" Hex Head Bolt, and 12mm Do-Nut Cap. See Detail 033. Refer to Typical Threaded Insert or Eagle Fastener Installation.

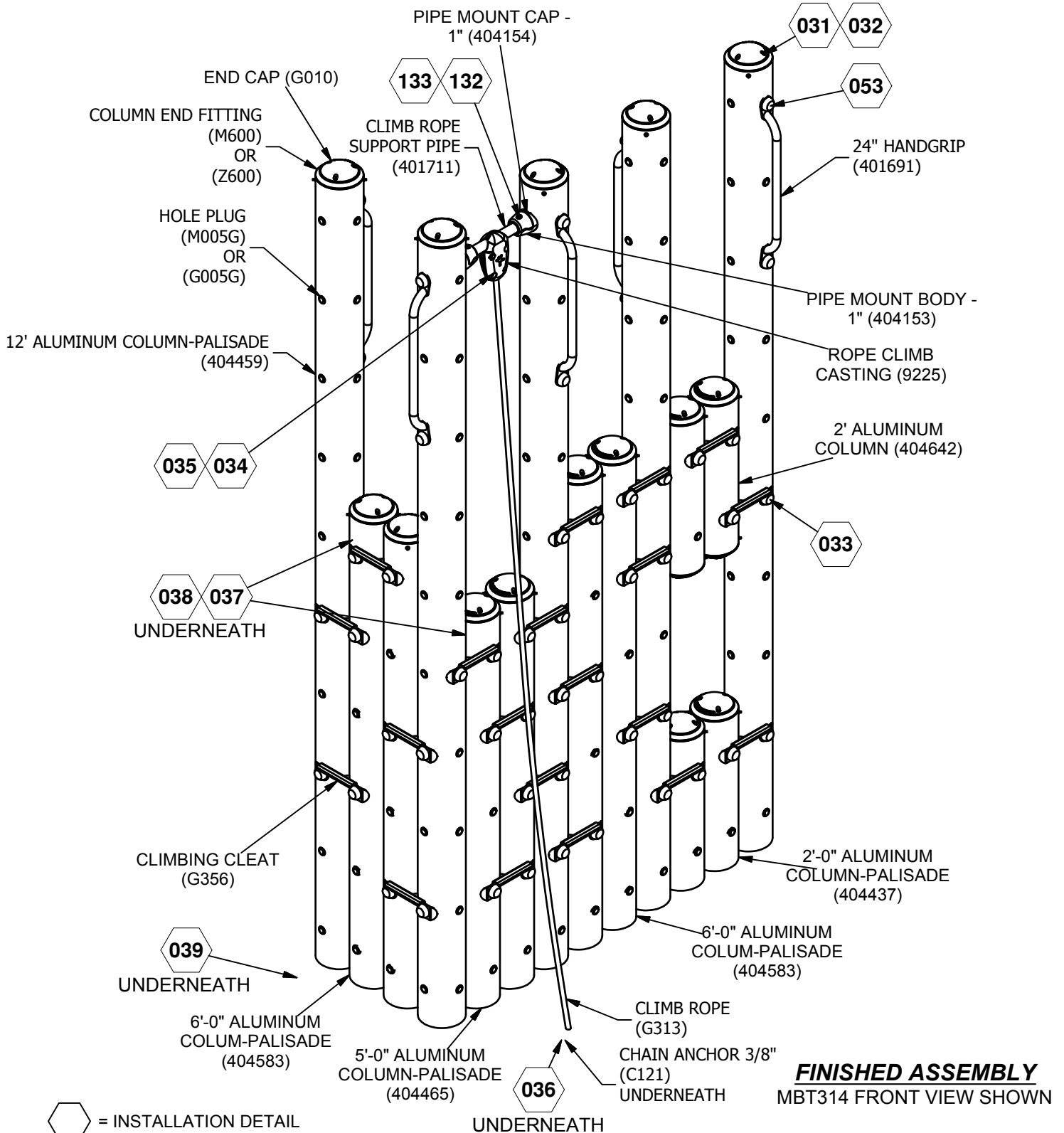
MBT314 CLIMBING WALL 1 - METAL BT314 CLIMBING WALL 1 - WOOD

13. Place assembly in holes as shown in Ground Plan. **Note: If installing the wood version insert 10" pipe into bottom hole of Column. See Detail 039.**
14. Find location of 24" Handgrips on your structure design and install proper Hole Plugs that fall directly beneath the hole you are installing the Handgrip in. See Detail 053.
15. Attach 24" Handgrips in locations shown in the Assembly Drawing using 1/2" Threaded Insert, 12mm Do-Nut Base, 1/2" Internal Tooth Lock Washer, 1/2" x 1 3/4" Hex Head Bolt, and 12mm Do-Nut Cap. If using the wood version, use Eagle Fastener, 12mm Do-Nut Base, 1/2" Internal Tooth Lock Washer, 1/2" x 1 3/4" Hex Head Bolt, and 12mm Do-Nut Cap. See Detail 053.
16. After Climbing Wall is completely assembled, and bolts tightened, attach Column End Fittings and End Caps to Columns using #10 x 1/2" Sheet Metal Screw and 1/4" x 15/32" Drive Rivet. See Detail 031. If using the wood version, attach Column End Fittings and End Caps to Columns using #10 x 2" Wood Screw. See Detail 032.
17. Find location of Climb Rope on your structure design. Attach Pipe Mount Body to Column using 1/2" Threaded Insert, 1/2" Lock Washer, and 1/2" x 1 3/4" Hex Head Bolt. If using the wood version, use Eagle Fastener, 1/2" Lock Washer, and 1/2" x 1 3/4" Hex Head Bolt. See Detail 132.
18. Attach the Climb Rope Support Pipe to the Pipe Mount Body and Pipe Mount Cap using 3/8" x 2" Socket Head Cap Screw. See Detail 133.
19. Insert Climb Rope end with washer into Climb Rope Casting. See Detail 034.
20. Attach Climb Rope Castings to Climb Rope Support Pipe using 3/8" x 1" B.H.C.S. and 3/8" Hex Nut NC Nylock SS. See Detail 035.
21. Insert 3/8" Chain Anchor into the loop end of the Climb Rope and secure in footing hole. See Detail 036. **NOTE: Climb Rope should have 18" of side to side slack when measured at a point midway from top to bottom.**
22. Attach all 12mm Do-Nut Caps on all 12mm Do-Nut Bases.
23. Insert proper Hole Plugs in all open holes in Columns.
24. When the Climbing Wall is plumb and level, tighten all fasteners and pour concrete within 4" to the top and taper away from supports to allow drainage. Allow to cure at least 72 hours before use. Important: temporary bracing may be required to support climber until concrete cures.
25. When structure is finished and satisfactory, tighten all fasteners and install Drive Rivets in all Column End Fittings. Also eliminate sharp points and sharp edges (burring) on installed hardware like bolts, nuts, etc. Install resilient surfacing material within the use zone of play structure in accordance with ASTM specifications F1292 appropriate for the fall height of each structure. Refer to the Safety Guidelines.
26. Attach the Manufacturer's I.D. Label to a visible position on upright.

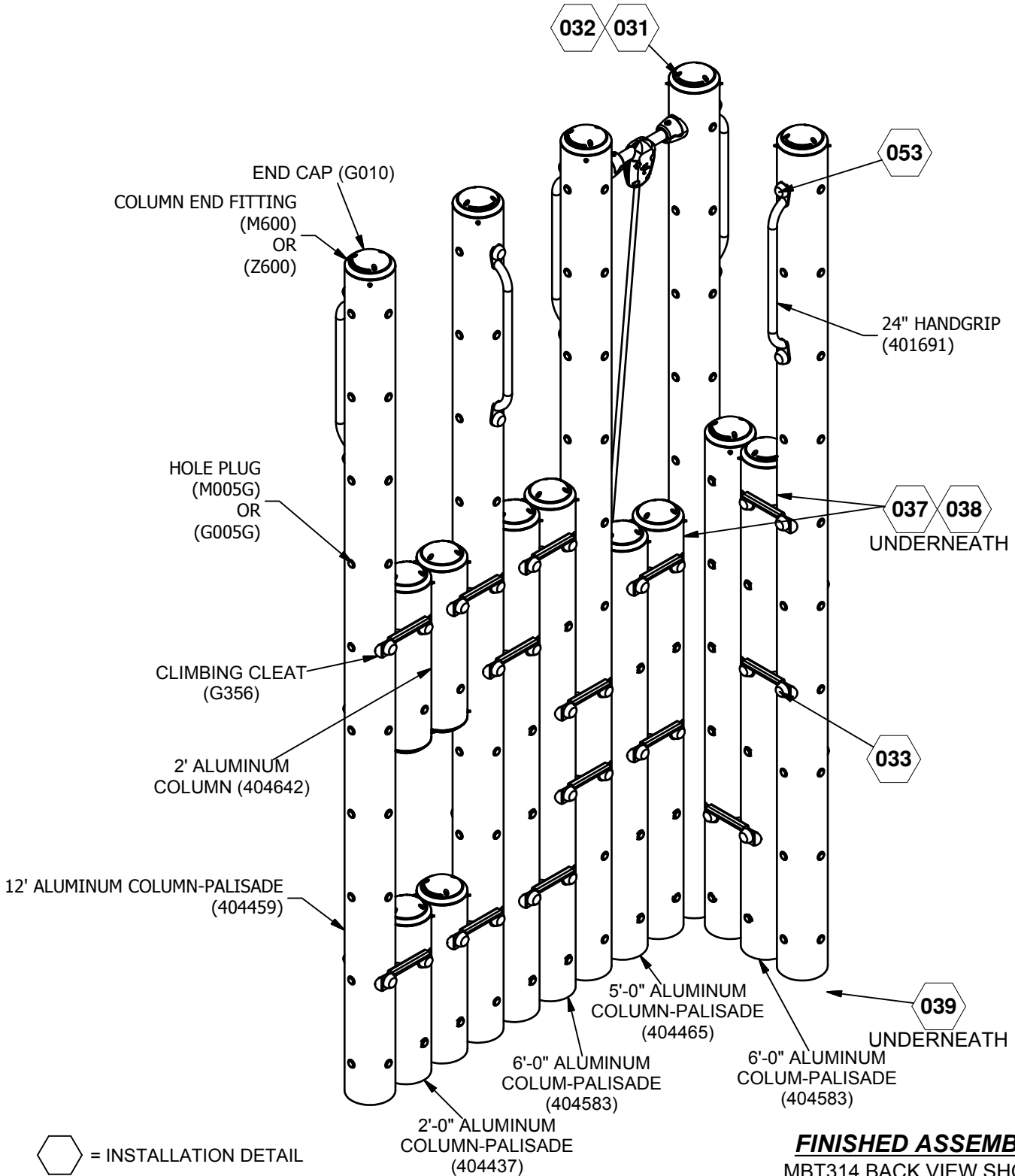
MAINTENANCE PROCEDURE:

Periodically check hardware for tightness, and tighten as necessary. Always check all parts for breakage or wear, and immediately put equipment out of service until any faulty parts found are repaired or replaced. Also Check all metal parts for rust, paint loss and touch-up if necessary with paint. Check for welded areas and verify integrity. Check periodically resilient surfacing for appropriate depth and remove extraneous materials that could cause injury, infection, or disease. Maintain detailed installation, inspection, maintenance, and repair records for each public-use playground equipment.

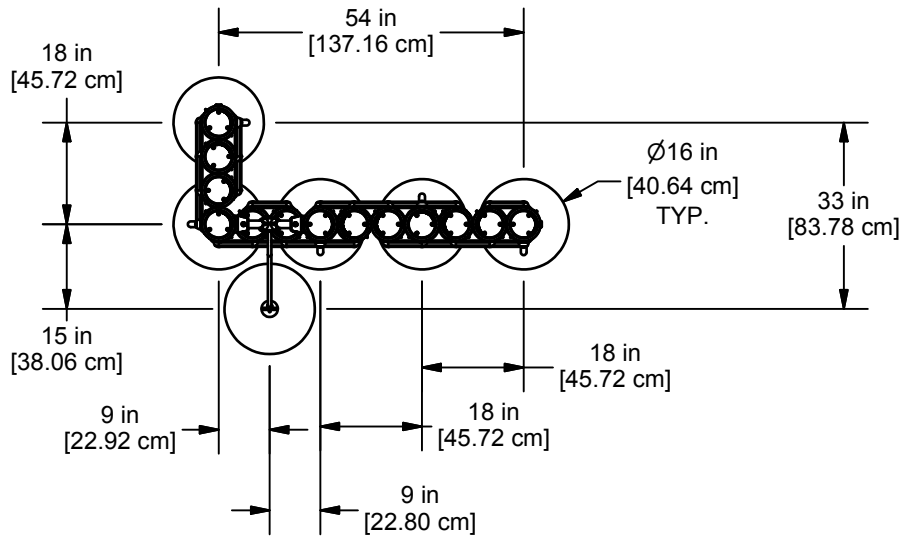
MBT314 CLIMBING WALL 1 - METAL BT314 CLIMBING WALL 1 - WOOD



MBT314 CLIMBING WALL 1 - METAL BT314 CLIMBING WALL 1 - WOOD

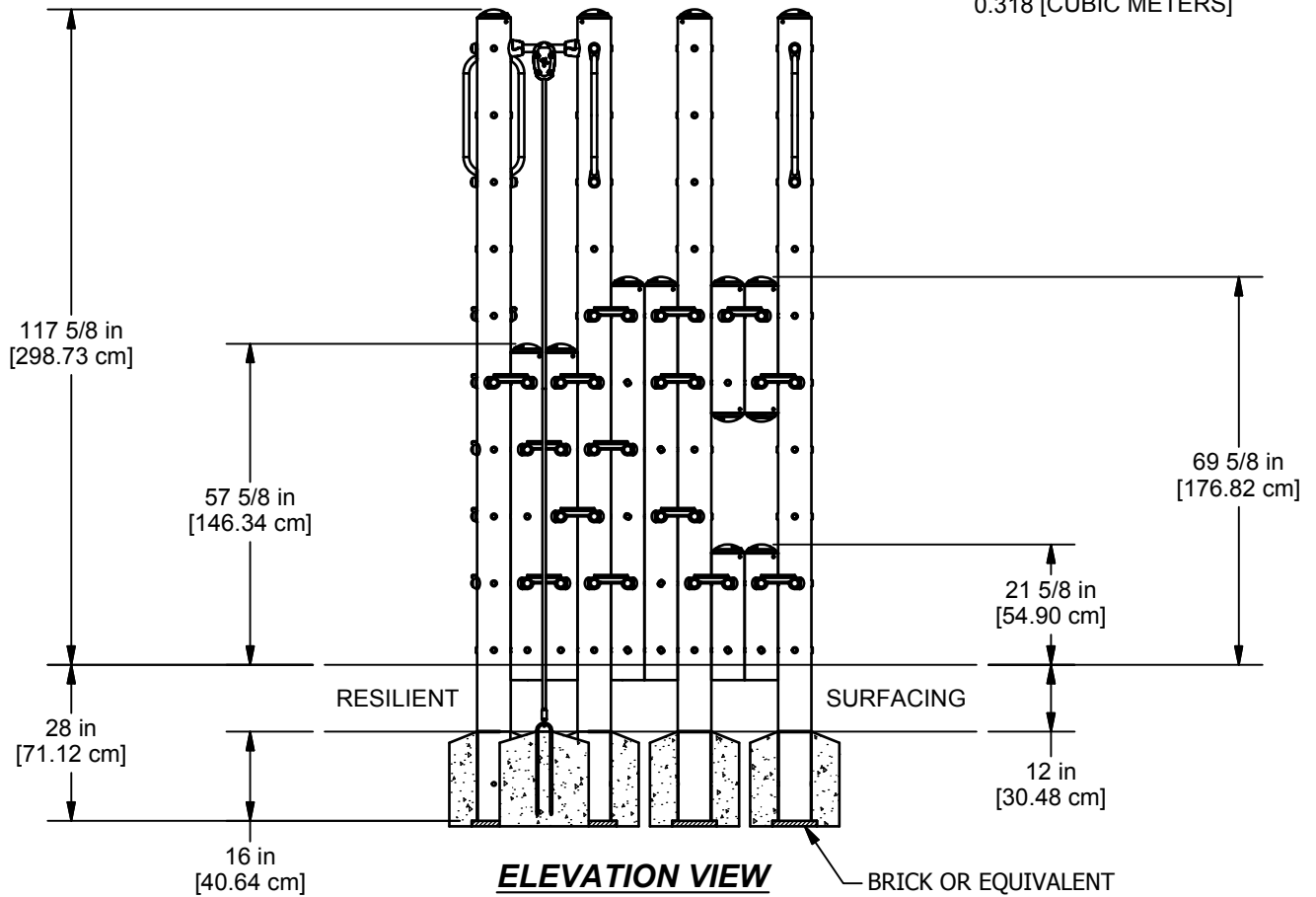


MBT314 CLIMBING WALL 1 - METAL BT314 CLIMBING WALL 1 - WOOD

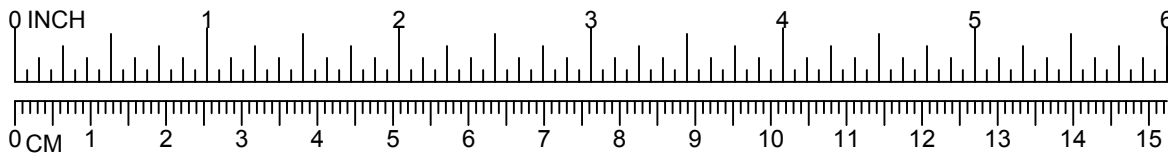


PLAN VIEW

CONCRETE REQUIRED
0.414 CUBIC YARDS
0.318 [CUBIC METERS]

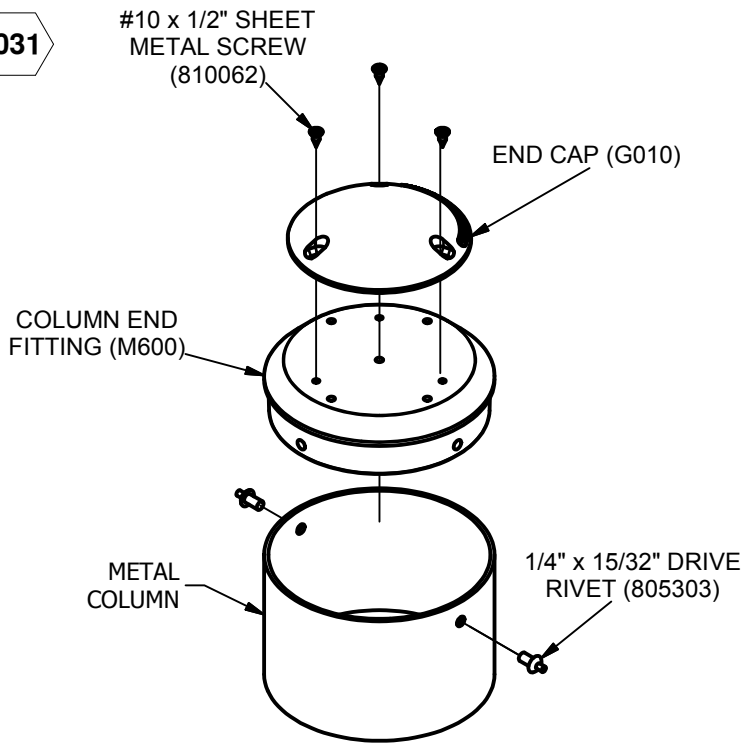


ELEVATION VIEW
MBT314 SHOWN

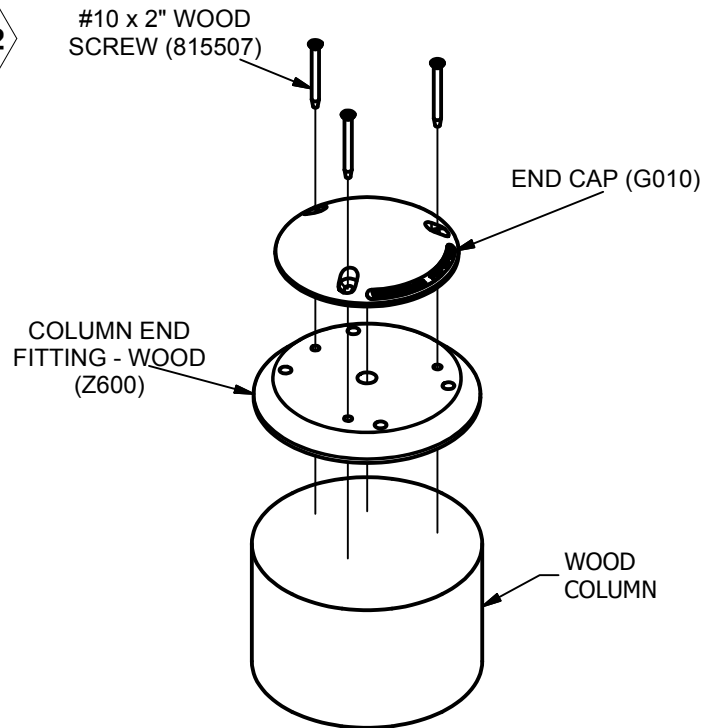


MBT314 CLIMBING WALL 1 - METAL BT314 CLIMBING WALL 1 - WOOD

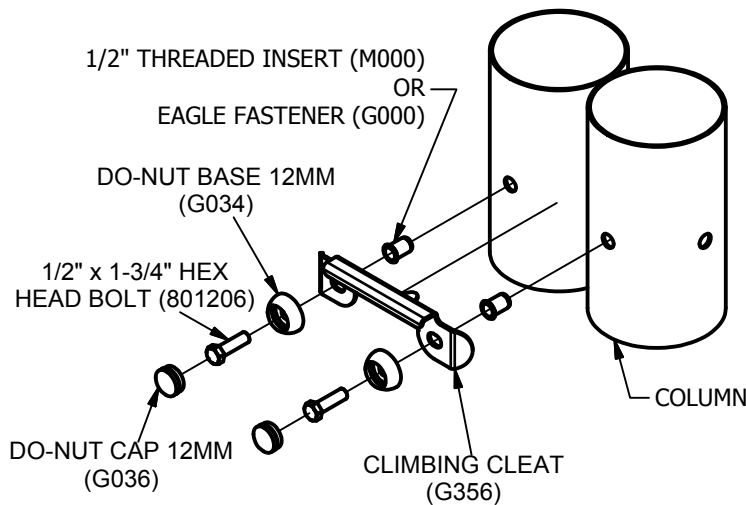
031



032

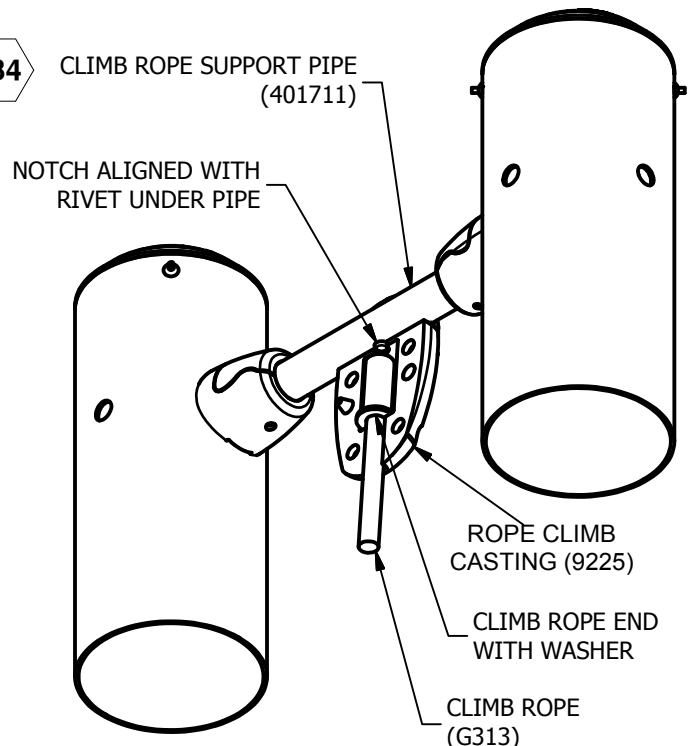


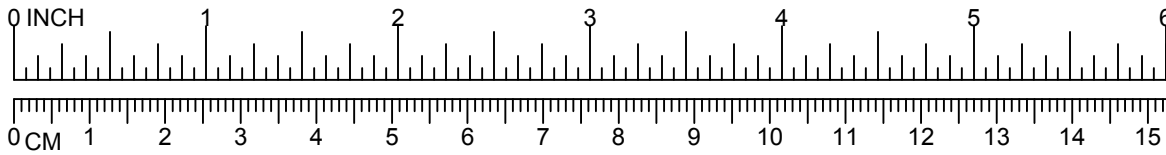
033



NOTE: REFER TO THE INSTALLATION PROLOG FOR TYPICAL THREADED INSERT AND EAGLE FASTENER INSTALLATION.

034

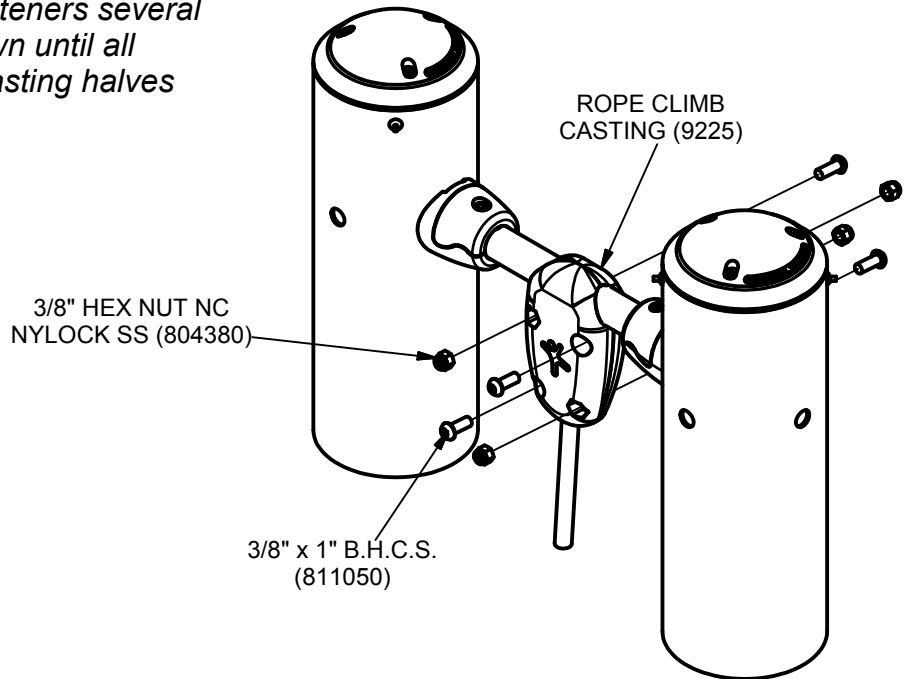
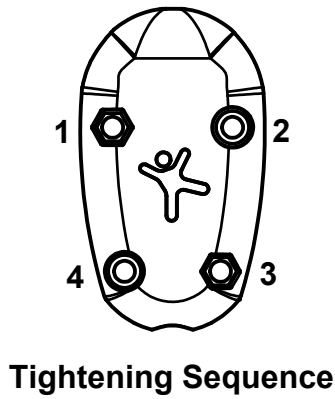




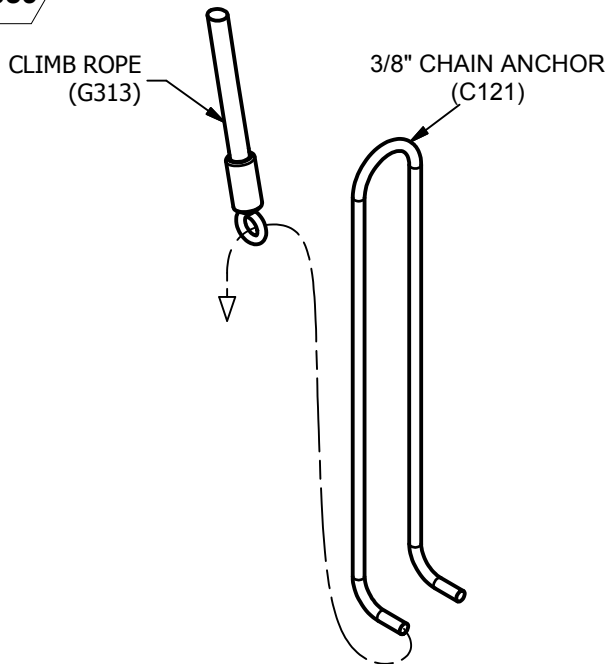
MBT314 CLIMBING WALL 1 - METAL BT314 CLIMBING WALL 1 - WOOD

035

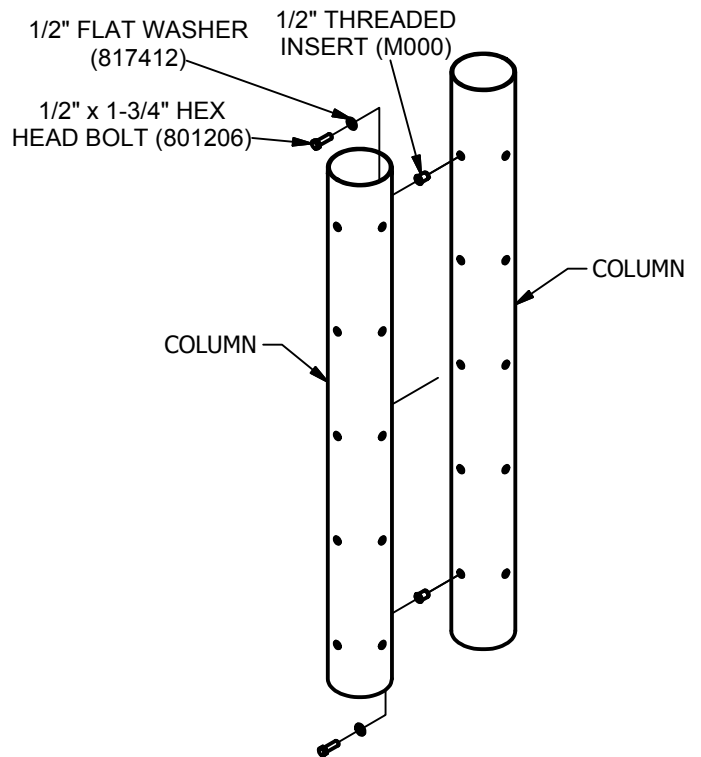
Note: Alternate tightening of fasteners several turns at a time in the order shown until all fasteners are tight and Rope Casting halves come together

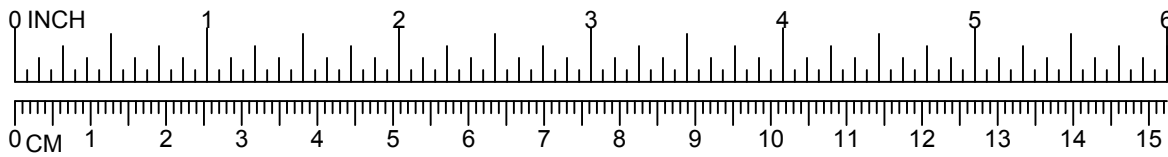


036



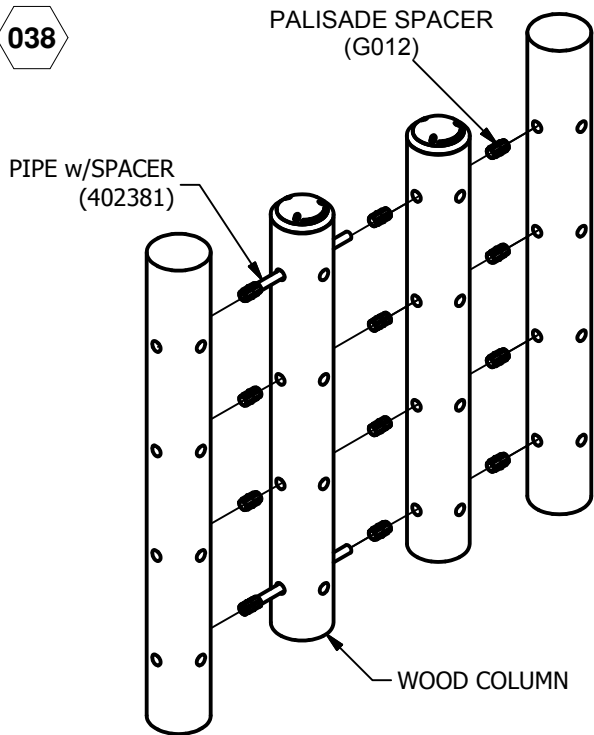
037



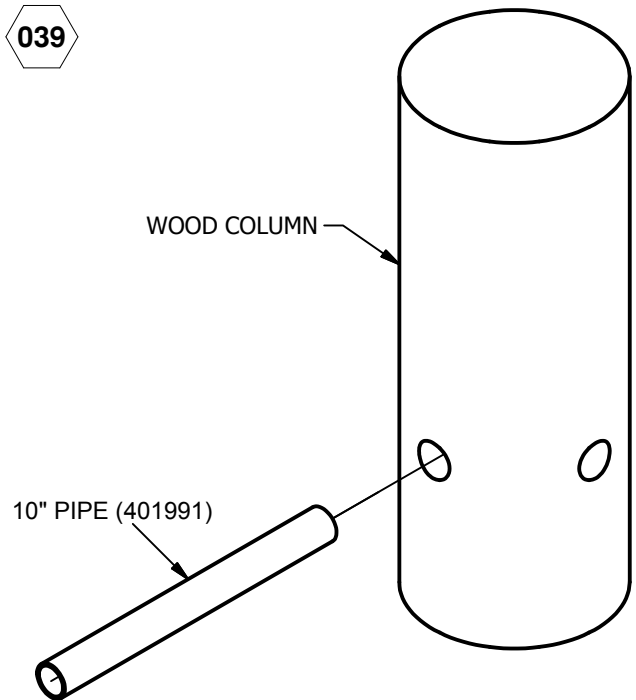


MBT314 CLIMBING WALL 1 - METAL BT314 CLIMBING WALL 1 - WOOD

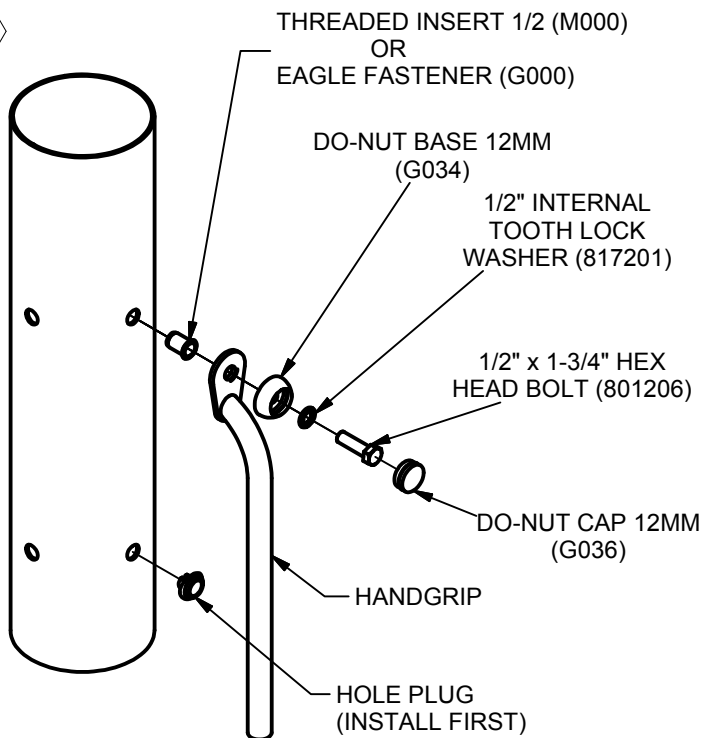
038



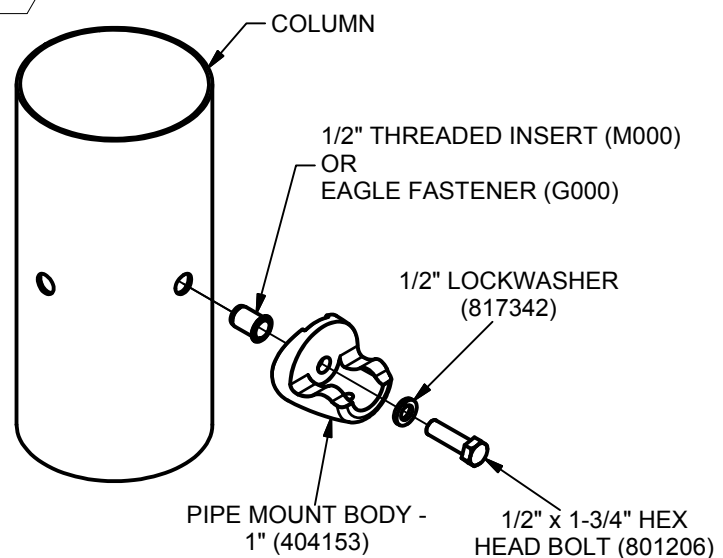
039



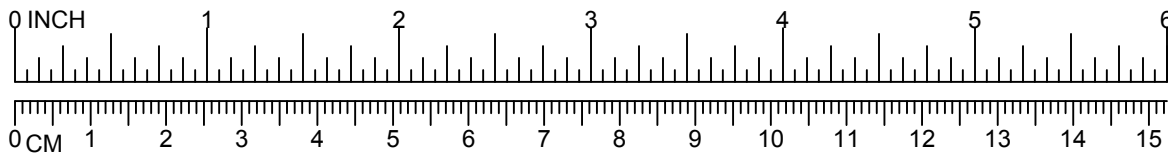
053



132



NOTE: REFER TO THE INSTALLATION PROLOG FOR TYPICAL THREADED INSERT AND EAGLE FASTENER INSTALLATION.



MBT314 CLIMBING WALL 1 - METAL BT314 CLIMBING WALL 1 - WOOD

133

