

**MEC-042 Shapes Panel (Recycled)**  
**EC-042 Shapes Panel (Wood)**  
**MEC-045 Objects Panel (Recycled)**  
**EC-045 Objects Panel (Wood)**

Parts List					
DESCRIPTION	MEC-042	EC-042	MEC-045	EC-045	PART NUMBER
ACTIVITY PANEL	1	1	1	1	402686
GAME PIECES (SHAPES) -SET OF 9-	1	1	0	0	158765
GAME PIECES (OBJECTS) -SET OF 9-	0	0	1	1	158767
RUNG	3	3	3	3	309757
BRACING PANEL	4	4	4	4	309756
RECYCLED UPRIGHT	2	0	2	0	404242
WOOD UPRIGHT	0	2	0	2	404247
-----HARDWARE COMPLETE-----	1	1	1	1	402816
3/8" x 5" HEX HEAD BOLT	4	4	4	4	801019
3/8" x 2" P.B.H.C.S. w/PATCH	8	8	8	8	812055
3/8" INTERNAL TOOTH LOCKWASHER	8	8	8	8	817200
3/8" FLAT WASHER	8	8	8	8	817410
3/8" LOCK NUT	4	4	4	4	804353
3/8" BARREL NUT	8	8	8	8	804804
10MM DO-NUT BASE	8	8	8	8	G030
10MM DO-NUT CAP	8	8	8	8	G032

*Unless Otherwise Specified, All Units of Measure are Each*

*Items listed below Hardware Complete line are included with Hardware Complete Number*

**Warning: During Installation, Hardware And Small Parts Are Choking Hazards For Young Children. Store Unused Parts Appropriately Until Assembly Is Completed. Once Assembly Is Completed, Remove Any Unused Parts From The Play Environment And Dispose/Save Them In A Secure Location. Any bolt end protruding more than two full threads beyond the face of the nut causes risk of clothing entanglement.**

**Promptly cut-off flush, file smooth, and treat to prevent corrosion.**

**Note: Peen Tee-Nuts and Flatwashers to match radius of pipe after assembly is complete.**

**Note: Loctite (supplied by others) should be used on any non-patch hardware.**

### **INSTALLATION INSTRUCTIONS:**

1. Dig footing holes as shown in Elevation and Plan Views.
2. Locate Uprights and attach Activity Panel using 3/8" x 5" Hex Head Bolt , 3/8" Internal Tooth Lock Washer, 3/8" Lock Nut, Do-Nut Base 10mm and Do-Nut Cap 10mm as shown in Detail 130. See Plan View for orientation.
3. Slide Game Pieces over Rung using 1" Washers to space equally in Panel opening as shown in Detail 047.
4. Attach Rungs to Activity Panel by placing Rungs in slots on Activity Panel.  
Secure Rungs to Activity Panel by attaching Bracing Panel to Activity Panel using Hardware 3/8" x 2" P.B.H.C.S. Screw, 3/8" Flat Washer, 3/8" Barrel Nut as shown in Detail 472.
5. Plumb and level the entire assembly and tighten all fasteners.

**MEC-042 Shapes Panel (Recycled)**  
**EC-042 Shapes Panel (Wood)**  
**MEC-045 Objects Panel (Recycled)**  
**EC-045 Objects Panel (Wood)**

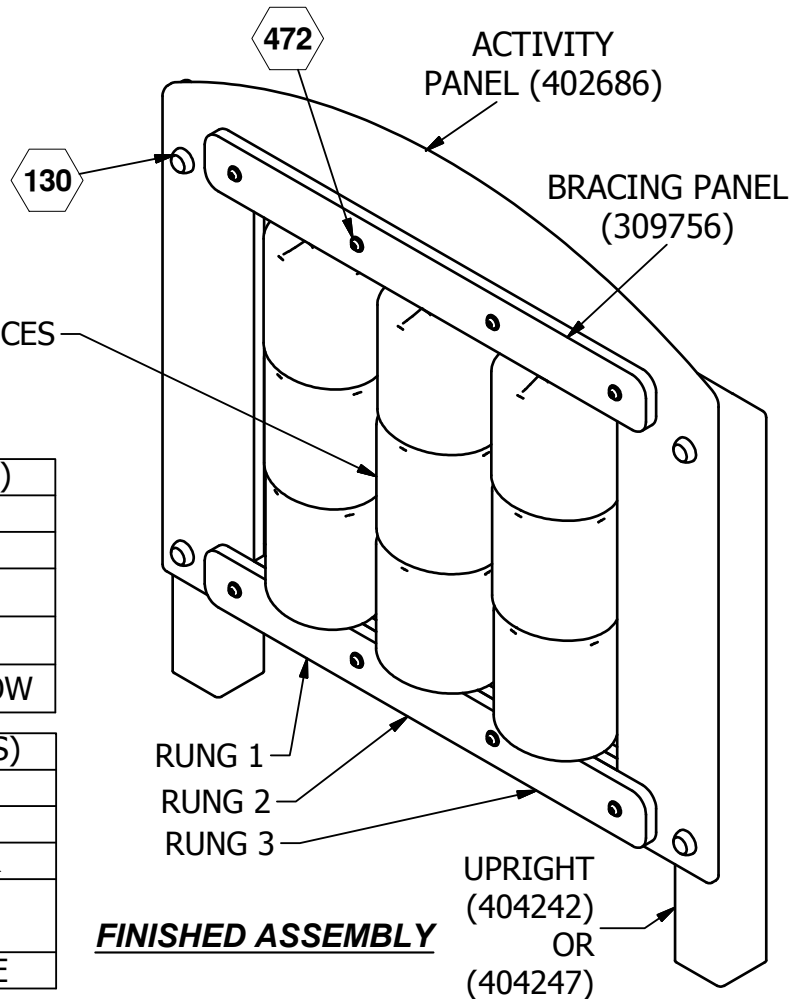
**INSTALLATION INSTRUCTIONS:**

7. After entire unit is assembled, pour concrete footings within 4" to the top and taper away from post for water drainage. Allow to cure at least 48 hours before use. Temporary bracing may be required until concrete cures.
8. When the structure is finished and satisfactory, eliminate sharp points and sharp edges (burring) on installed hardware like bolts, nuts etc. Install resilient surfacing material within the use zone of play structure in accordance with ASTM specifications F1292 appropriate for the fall height of each structure. Refer to the safety guidelines.

**MAINTENANCE PROCEDURE:**

Periodically check hardware for tightness, and tighten as necessary. Always check all parts for breakage or wear, and immediately put equipment out of service until any faulty parts found are repaired or replaced. Also Check all metal parts for rust, paint loss and touch-up if necessary with paint. Check for welded areas and verify integrity. Check periodically resilient surfacing for appropriate depth and remove extraneous materials that could cause injury, infection, or disease. Maintain detailed installation, inspection, maintenance, and repair records for each public-use playground equipment.

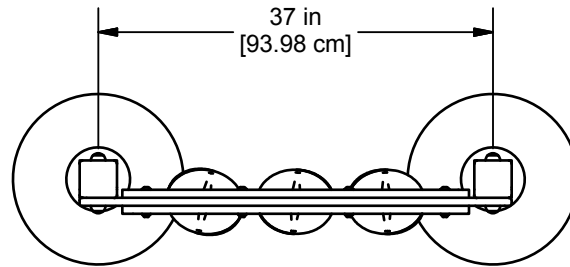
 = INSTALLATION DETAIL



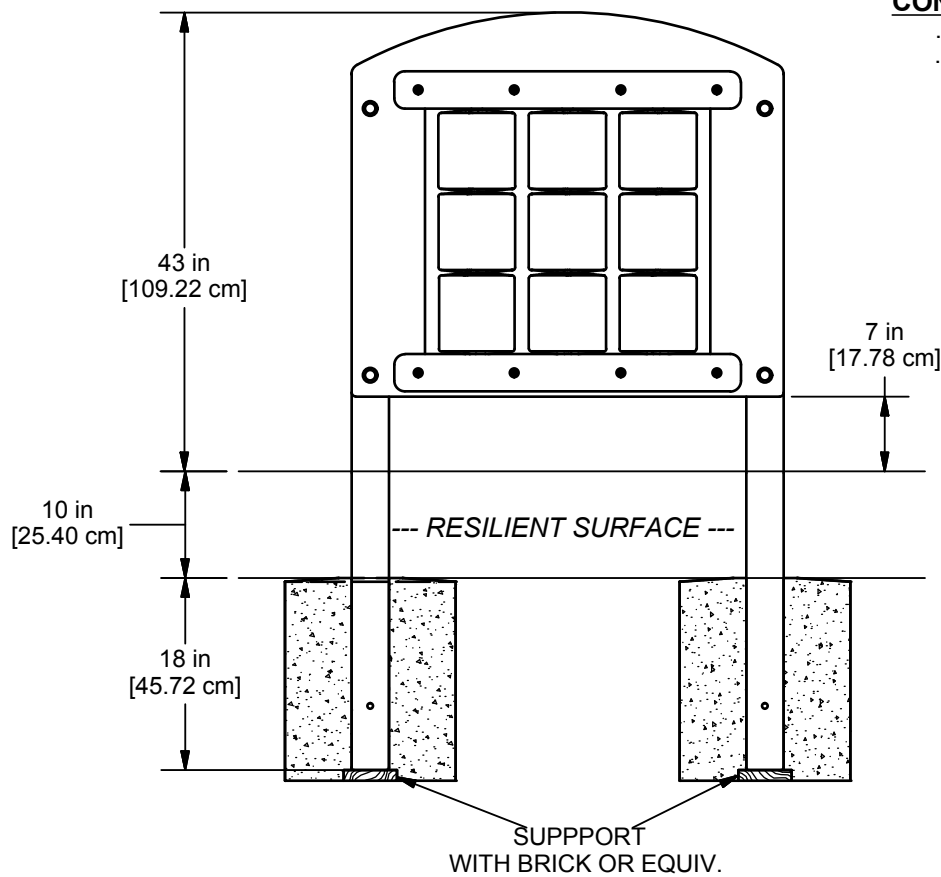
GAME PIECE PLACEMENT CHART (SHAPES)		
RUNG 1	RUNG 2	RUNG 3
RECTANGLE	DIAMOND	CIRCLE
OVAL	TRIANGLE	SQUARE
OCTAGON	STAR	LEFT ARROW

GAME PIECE PLACEMENT CHART (OBJECTS)		
RUNG 1	RUNG 2	RUNG 3
SCREWDRIVER	SAW	HAMMER
BALL	PUZZLE PIECE	BLOCKS
CAR	SAILBOAT	AIRPLANE

MEC-042 Shapes Panel (Recycled)  
 EC-042 Shapes Panel (Wood)  
 MEC-045 Objects Panel (Recycled)  
 EC-045 Objects Panel (Wood)



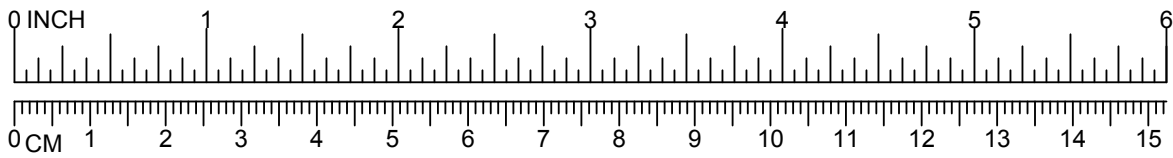
**PLAN VIEW**



**CONCRETE REQUIRED**

.16 CUBIC YARDS  
 .12 [CUBIC METERS]

**ELEVATION VIEW**



**MEC-042 Shapes Panel (Recycled)**  
**EC-042 Shapes Panel (Wood)**  
**MEC-045 Objects Panel (Recycled)**  
**EC-045 Objects Panel (Wood)**

