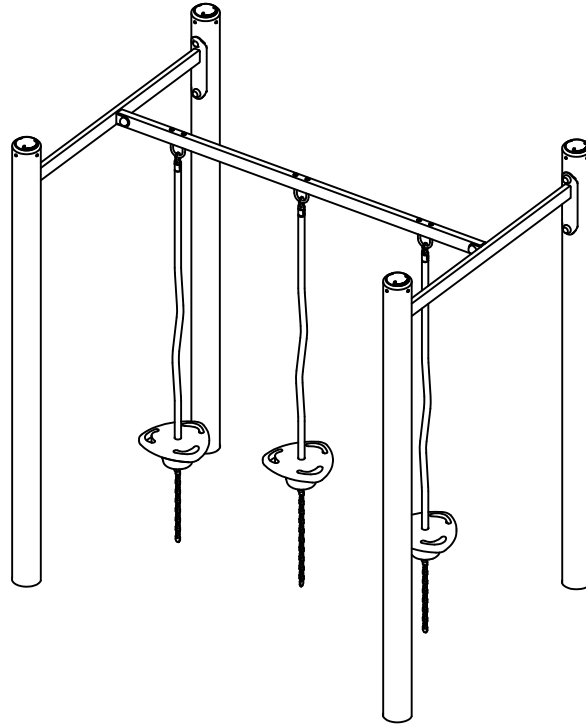















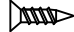



PlayPod Traverse - Metal

MBT-535
Installation Instructions



DET.	QTY.	PART#	DESCRIPTION	ICON (NOT TO SCALE)
A	4	A012B_	Column, Alum 12'-0" End Drill 2H	
B	2	401816	Bracket 1 Rail	
C	1	G481_	PlayPod Rail 93" Inner	
D	1	401994	PlayPod Hanger Assy 30"	
E	2	402039	PlayPod Hanger Assy 24"	
F	2	G441	PlayPod w/ 1.38" Hole (Primary Color)	
G	1	G441I	PlayPod w/ 1.38" Hole (Secondary Color)	
H	8	M000	Threaded Insert 1/2"	
	1	E521_	Connector Package	
I	8	801206	Bolt Tap 1/2-13 x 1-3/4" Grd 2 Nc Pltd	
J	2	801210	Bolt Hex 1/2-13x2-3/4" Grd 2 NC Pltd	
K	2	804355	Nut, Hex 1/2" - Lock	
L	12	G034	Do-Nut Base (No Boss) 12mm	
M	12	G036	Do-Nut Cap 12mm	

Continued

DET.	QTY.	PART#	DESCRIPTION	ICON (NOT TO SCALE)
	3	D523_	Connector Package	
N	7	817403	Flat Washer 5/16" W/1-1/8" OD SS	
O	2	811076	Cap Screw 3/8-16 x 4" Btn Hd SS P-lock	 
P	1	0104	U-Nut Hanger	
Q	1	H443	Chain 3/8" Galv (2 Links)	 
R	1	802720	Bolt Shoulder 3/8 x 5/8" SS P-lock	 
S	3	811050	Cap Screw 3/8-16 x 1" Btn Hd P-lock SS	 
	4	E010_	Free Column Connector Package	
U	2	805303	Rivet, Alum Drive 1/4 x 15/32	 
W	3	810062	Screw Sheet Metal FH Sq Dr SS #10x1/2"	 
X	1	G010	End Cap	 
Y	1	M600	Column End Fitting, Alum	

1. Refer to your structure design for location and orientation of PlayPod Maze.
2. **Locate and dig Column Footing Holes** as shown.

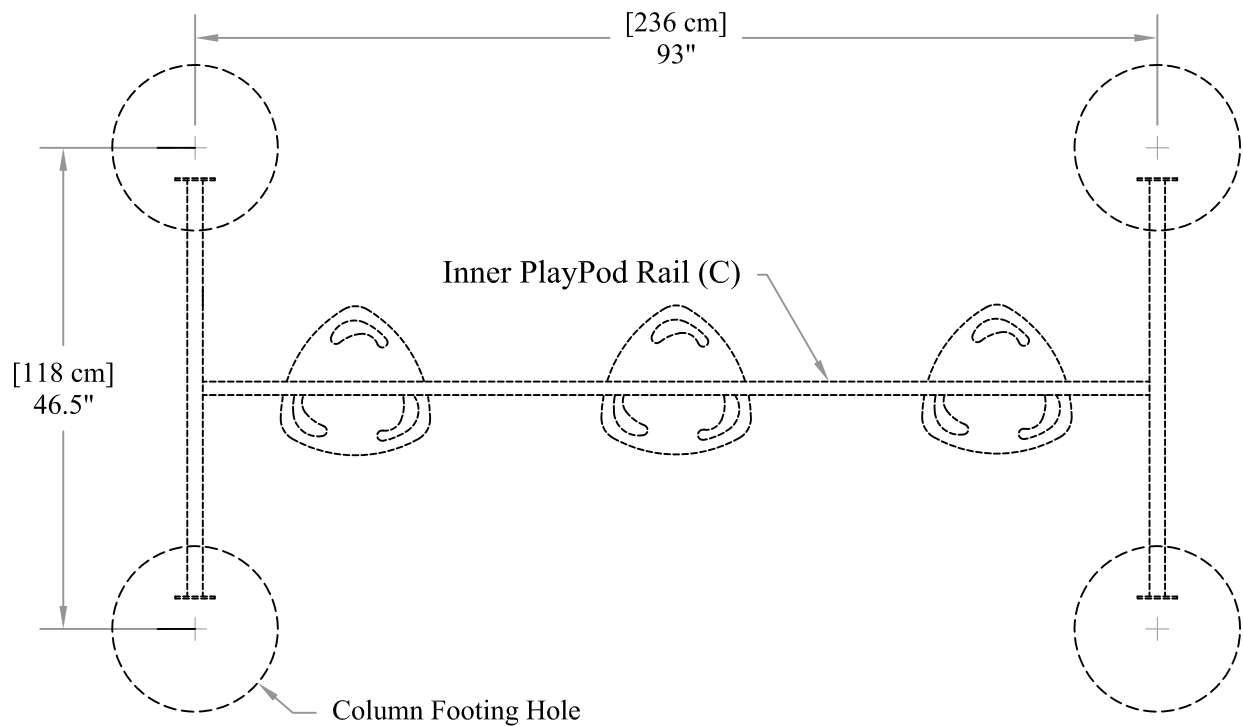
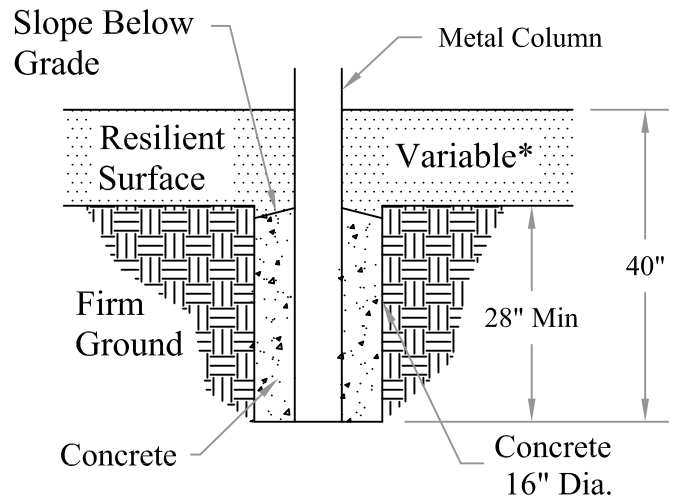
Deep Footing

(BigToys 5-12)

(2.8 to 3.8 cubic feet of concrete)**



Note: Do not dig holes for PlayPod Hangers at this stage.





Make sure you have read the supplemental prolog (iM 1000) before moving on to the next step.

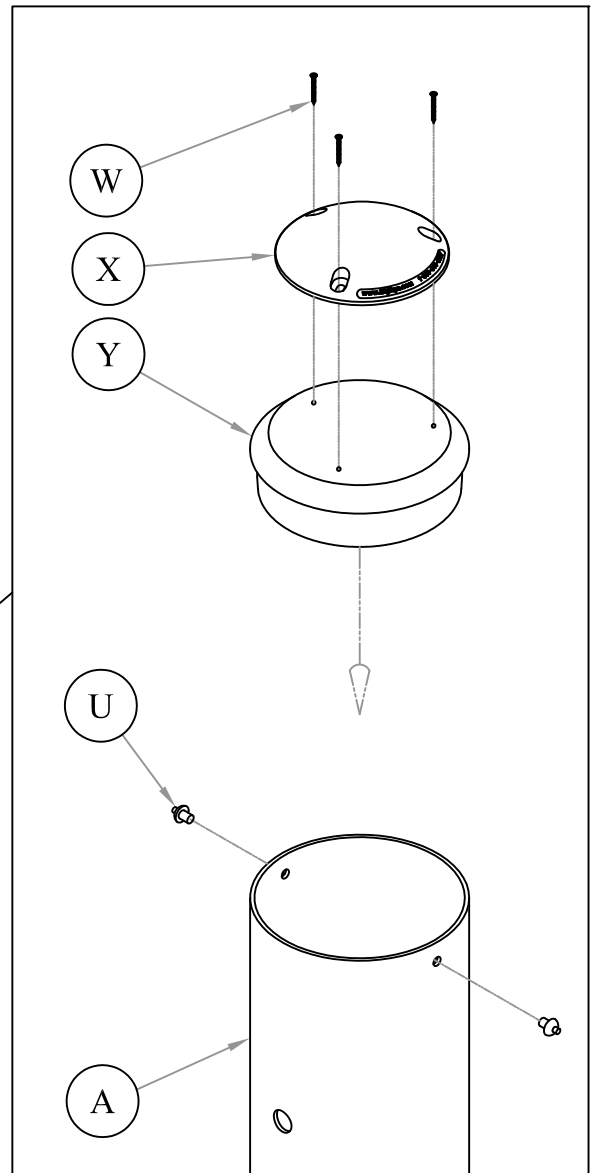
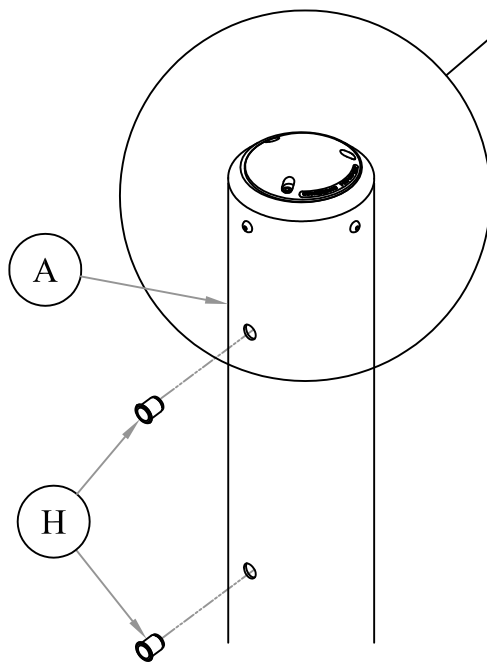
3. **Attach Column End Fitting (Y) and Column Cap (X) to the top of Columns (A) using hardware (W) and (U) as shown.**

Note: Top of column has four small holes at approximately 5/8" from the near end.

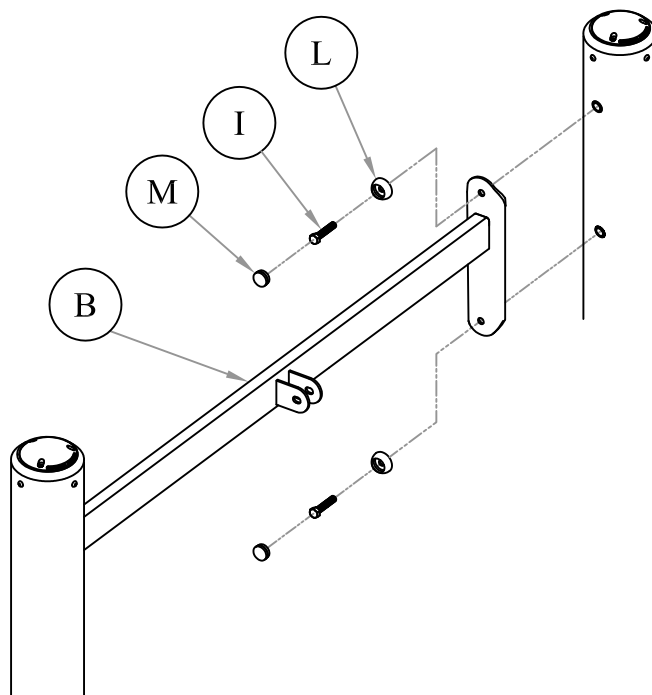
4. **Install Threaded Insert (H) in Columns as shown.**



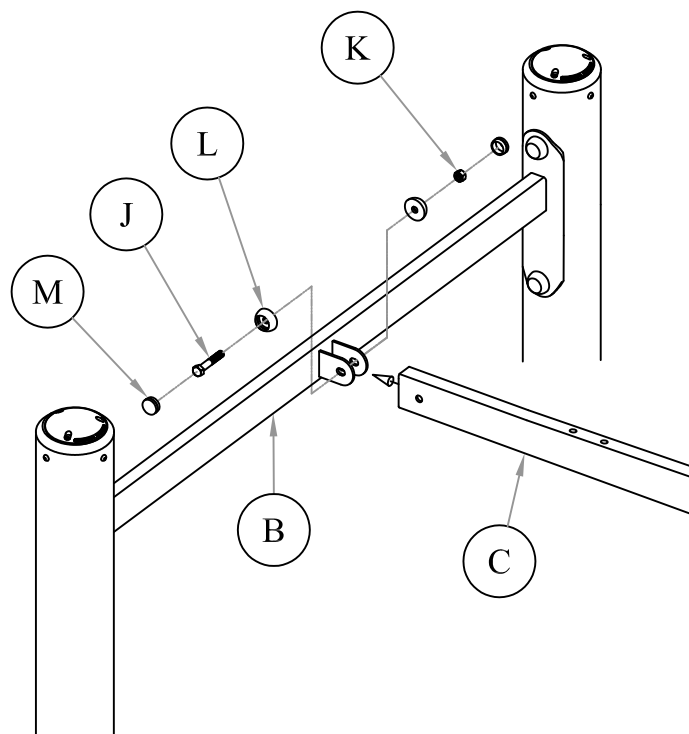
Refer to "Typical Threaded Insert Installation" in the supplemental prolog (iM1000) for installation procedures.



5. **Attach Brackets (B)** to Piranha Fasteners using hardware (L), (I), and (M).

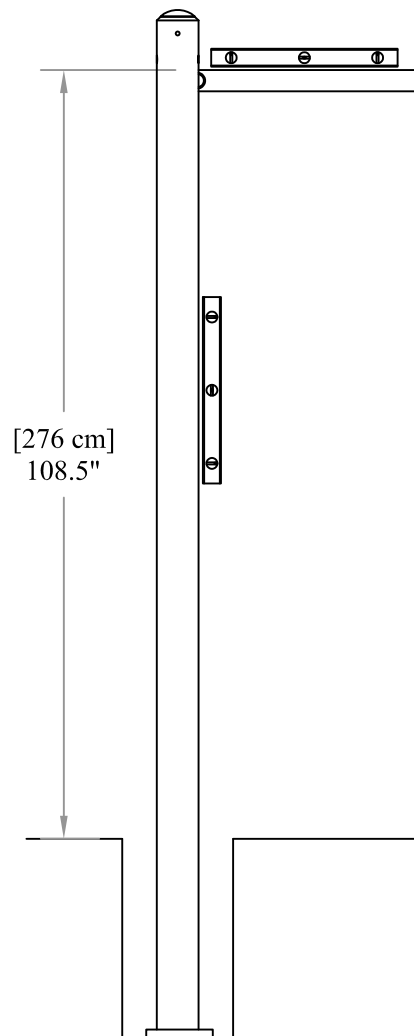
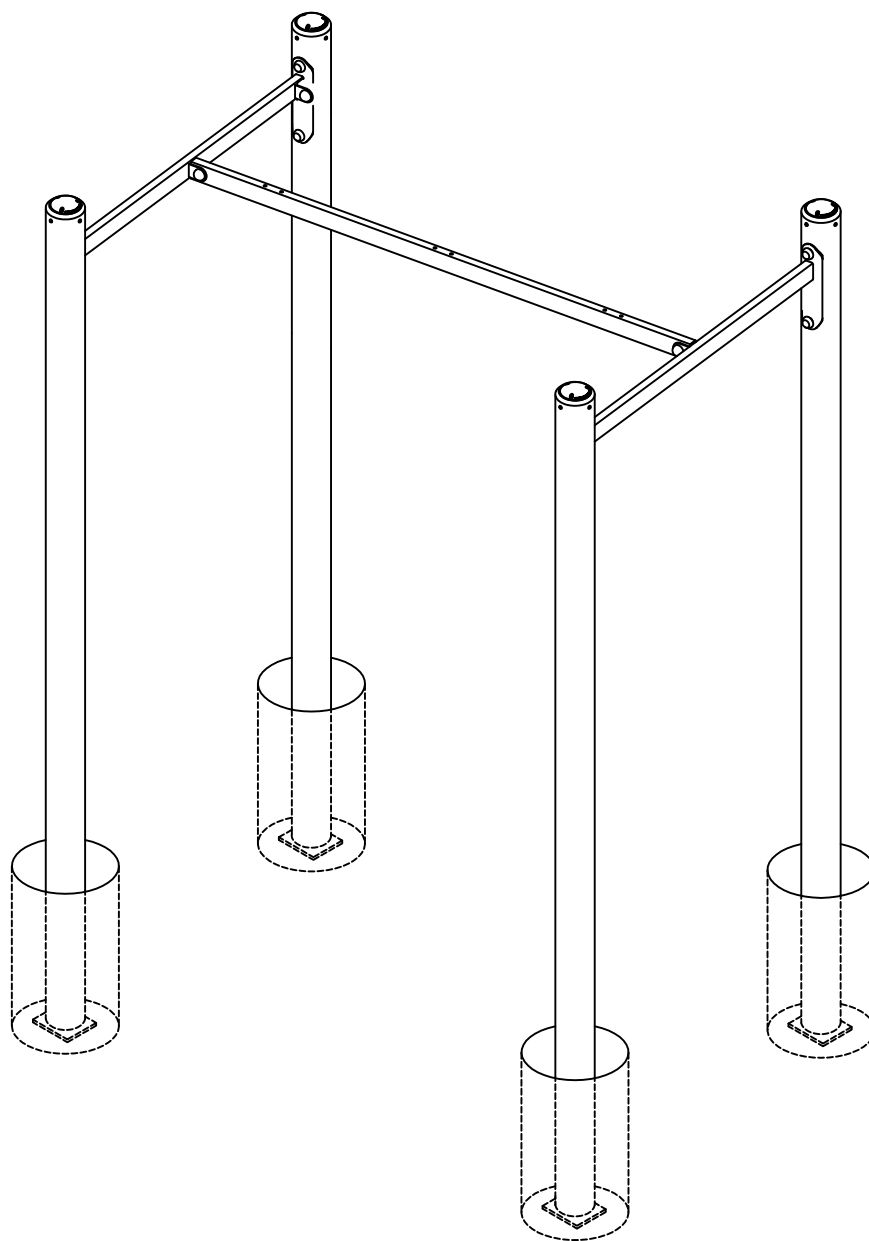


6. **Attach PlayPod Rails (C)** to Brackets (B) using hardware (L), (J), (M), and (K).



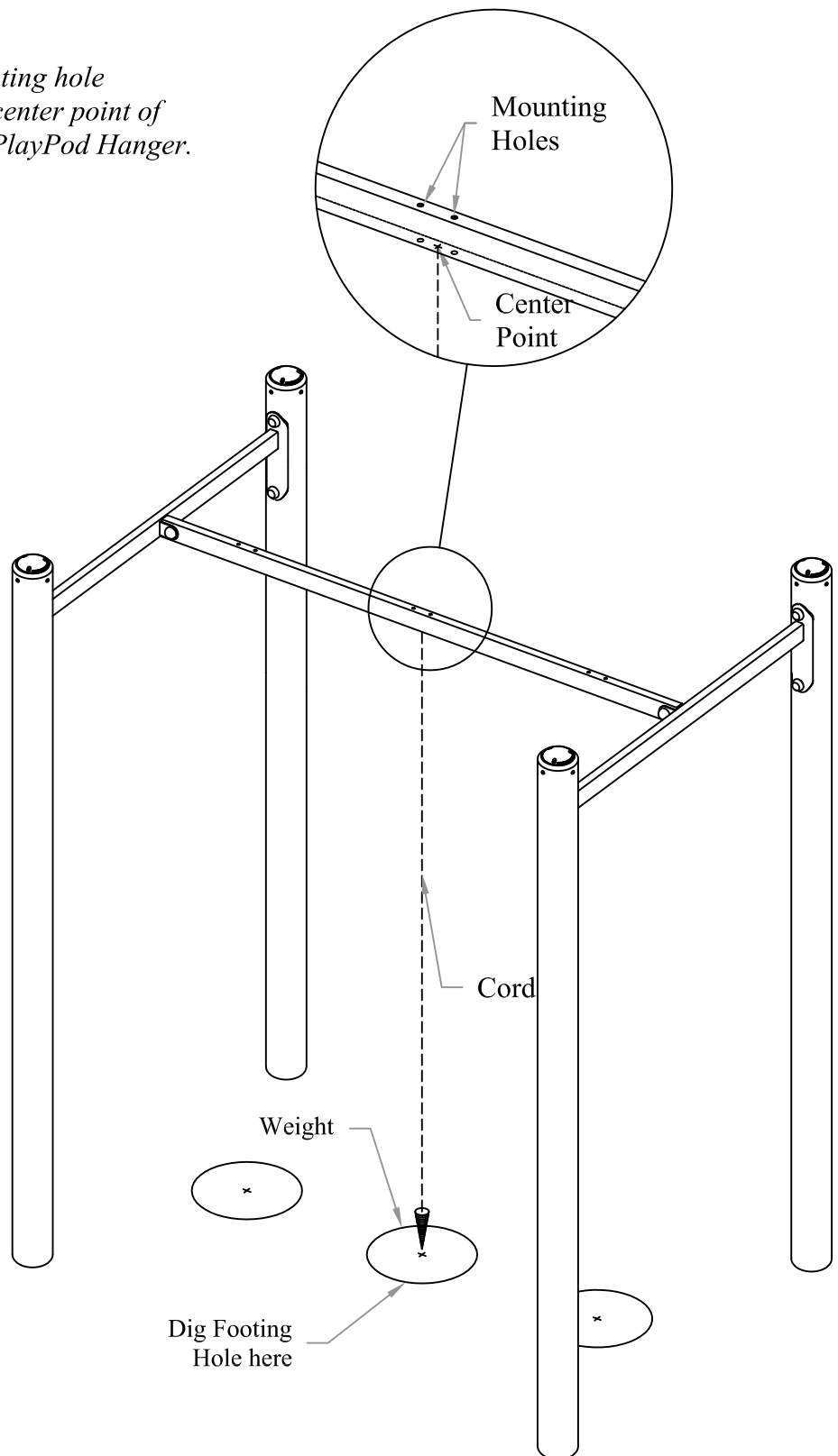
7. **Place a block or equivalent in bottom of footing hole.**
8. **Place the columns in the footing holes and plumb and level the framework**
9. **Pour concrete into footing holes** and allow concrete to set up before proceeding to the next step.

(See "Deep Concrete Footing" shown on page 3.)

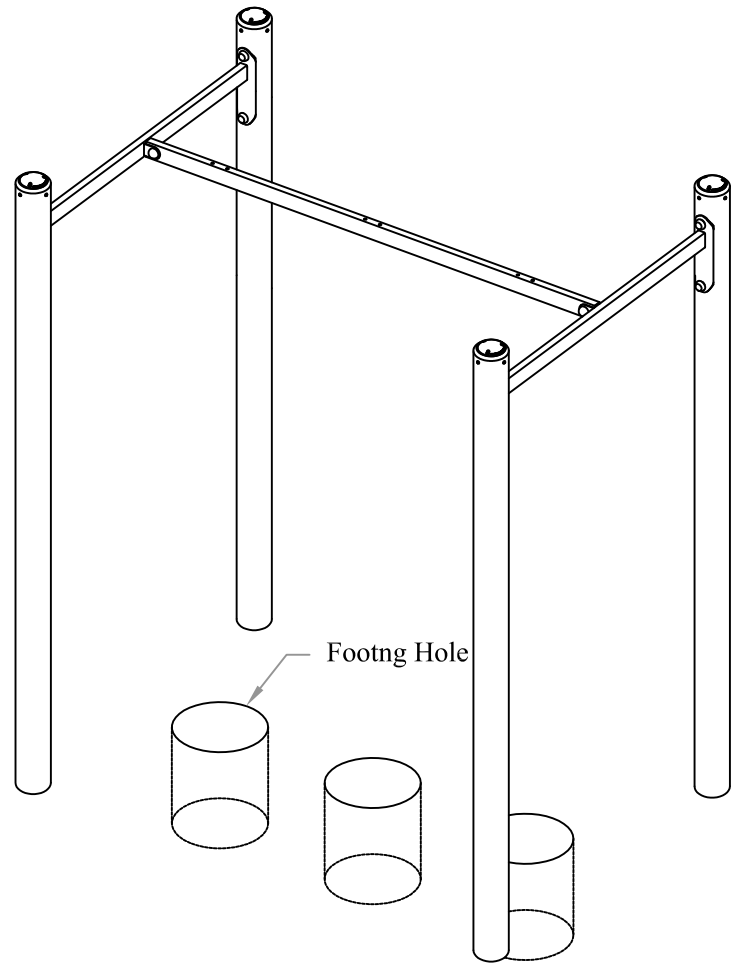


10. **Locate Footing Holes.** Place a plumb line (a cord with a small weight attached to one end) under the Rails, between each set of holes. Let the plum line hang freely near the ground and place a legible mark directly below the plum line weight.

Note: It is important each footing hole is located directly under the center point of the mounting holes for each PlayPod Hanger.



11. **Dig Footing Holes** centered on marks made in previous step.
(See footing information on this page.)



Concrete Footings for PlayPod Hangers

Footing depth depends on:

- ◆ The thickness of the resilient surface you have chosen for your BigToys® play structure.

The distance from the top of the resilient surface to the bottom of the footing is 28".

Note: Refer also to the footing and frost line information found in "Assembly of the Play Structure" on page 5.

Use this simple formula to find the footing depths for PlayPod Hanger Footing Holes:

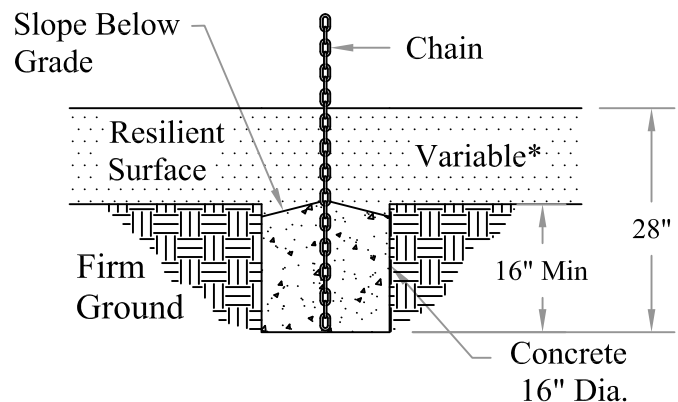
Total Depth of footing minus Resilient Surface Thickness equals Footing Depth.
 $TD - RST = FD$

Example: to find the footing depth for a Standard-Column with 12 inches of resilient surface, the formula would look like this:

$$28" - 12" = 16"$$

Your footing depth is 16"

PlayPod Hanger Footing (1.6 to 2.6 cubic feet of concrete)**



**Depth of resilient surface will vary depending on the type of surfacing used. (See enclosed USCPSC report.)*

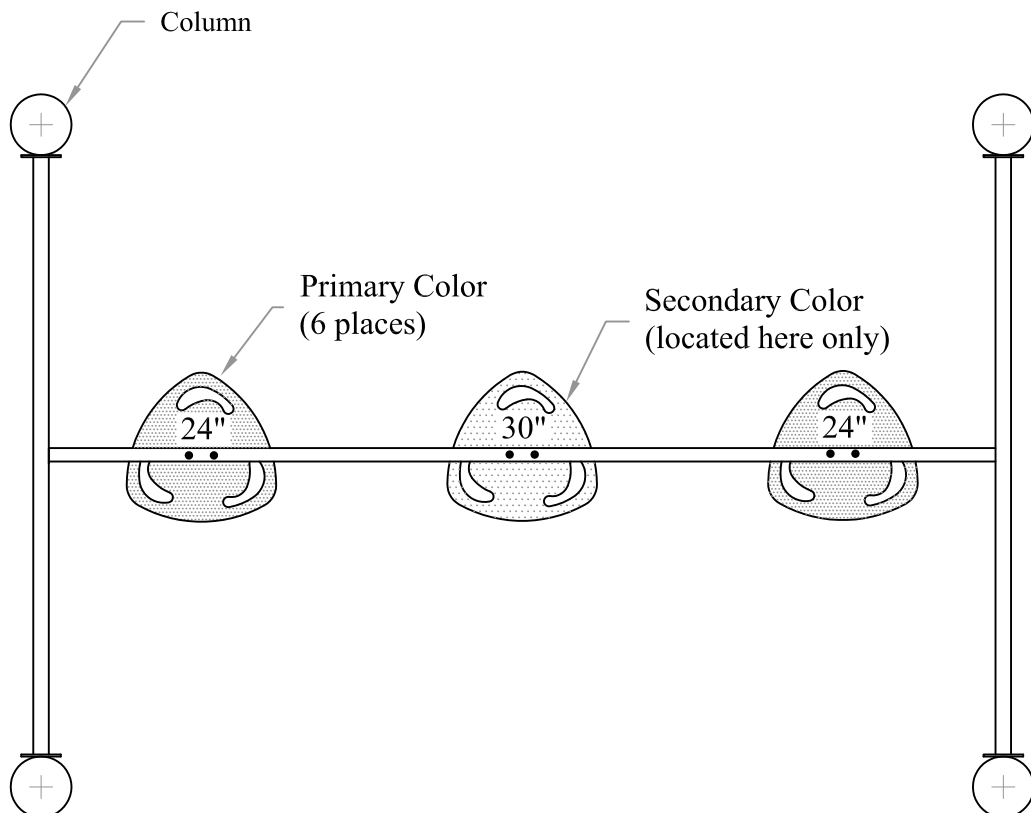
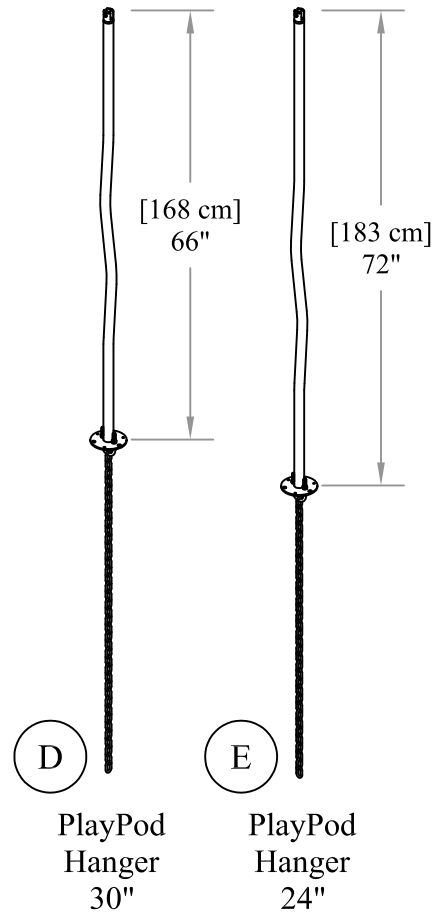
*** The concrete volumes listed are approximations based on the maximum and minimum resilient surface thickness' available. Varying soil conditions may also affect volumes.*

12. **Identify PlayPod Hangers (D),(E), and** associate them with their positions on the Frame and with their proper PlayPod Color.

Note: PlayPods for your PlayPod Traverse come in two colors; a Primary (darker) color and Secondary (lighter) color.

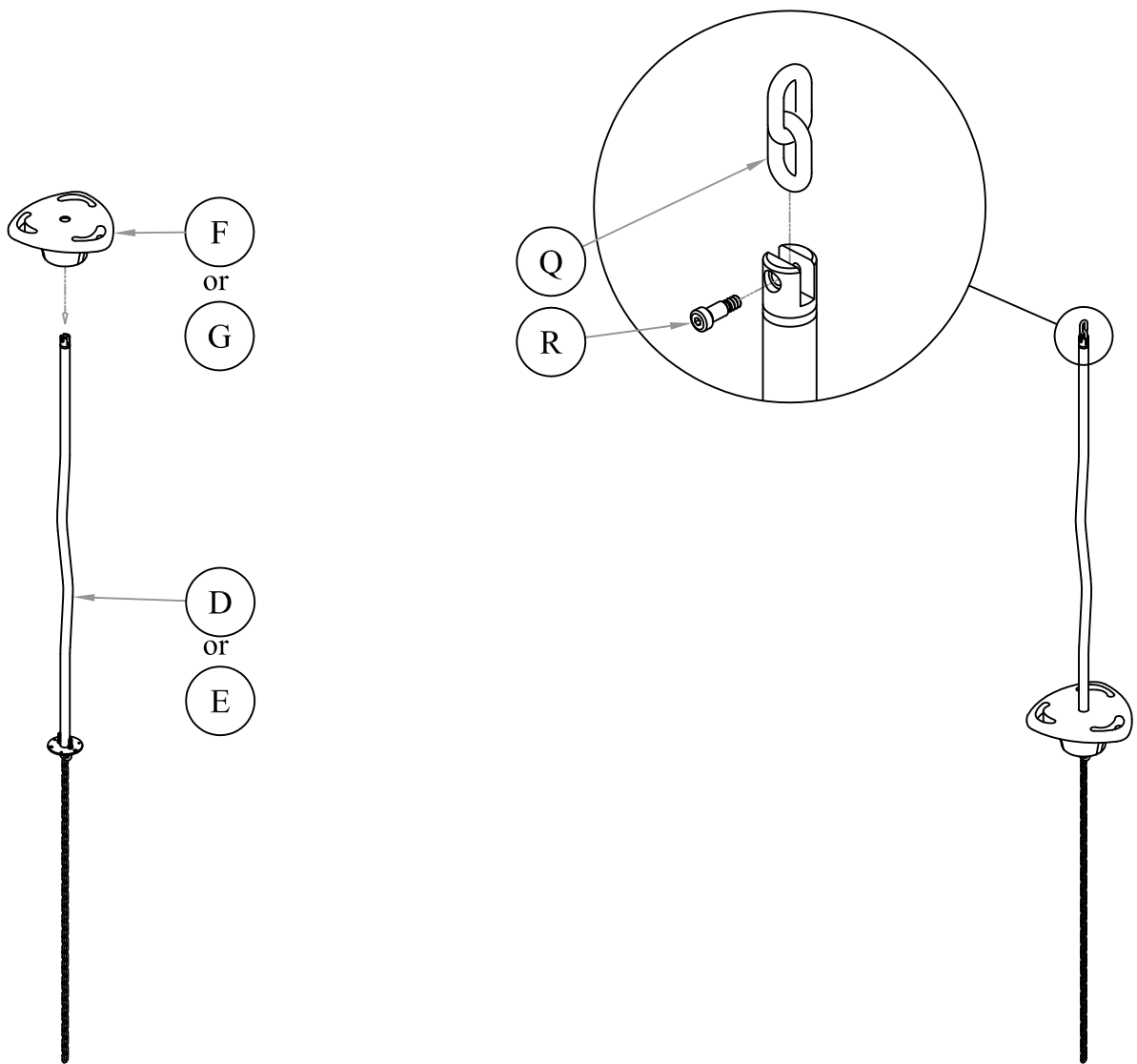


Make sure you match the proper colored PlayPod with the proper length PlayPod Hanger.

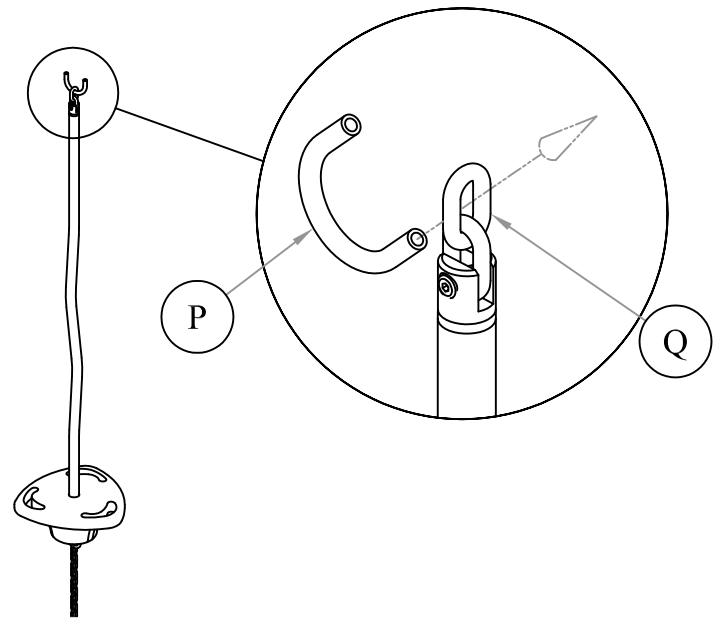


13. **Slide the proper colored PlayPods (F) or (G)** over the proper PlayPod Hangers (D) or (E).
Note: Do not install bolts that attach PlayPods to PlayPod Hangers at this time.

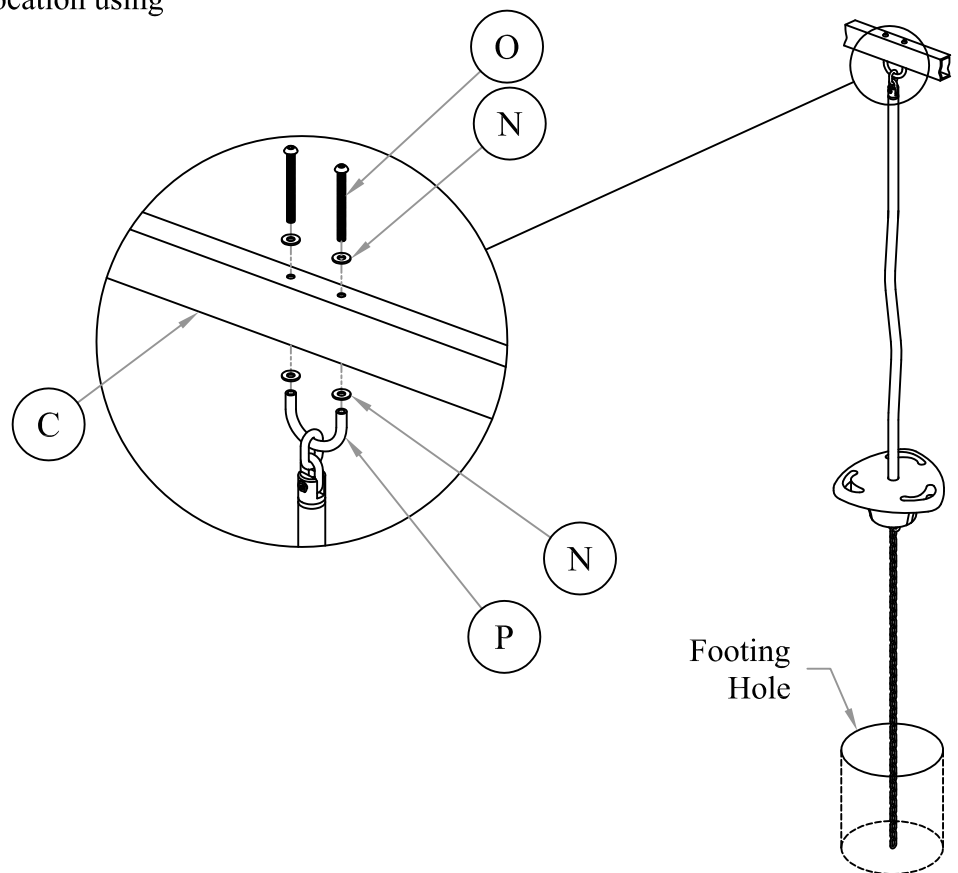
14. **Attach Chains (Q)** to PlayPod Hangers using hardware (R).



15. Slide U-Nut Hanger (P) through top link of Chain (Q).



16. Attach assembled PlayPod Hanger to a PlayPod Rail in its proper location using hardware (O) and (N).
(See diagram on sheet 9)



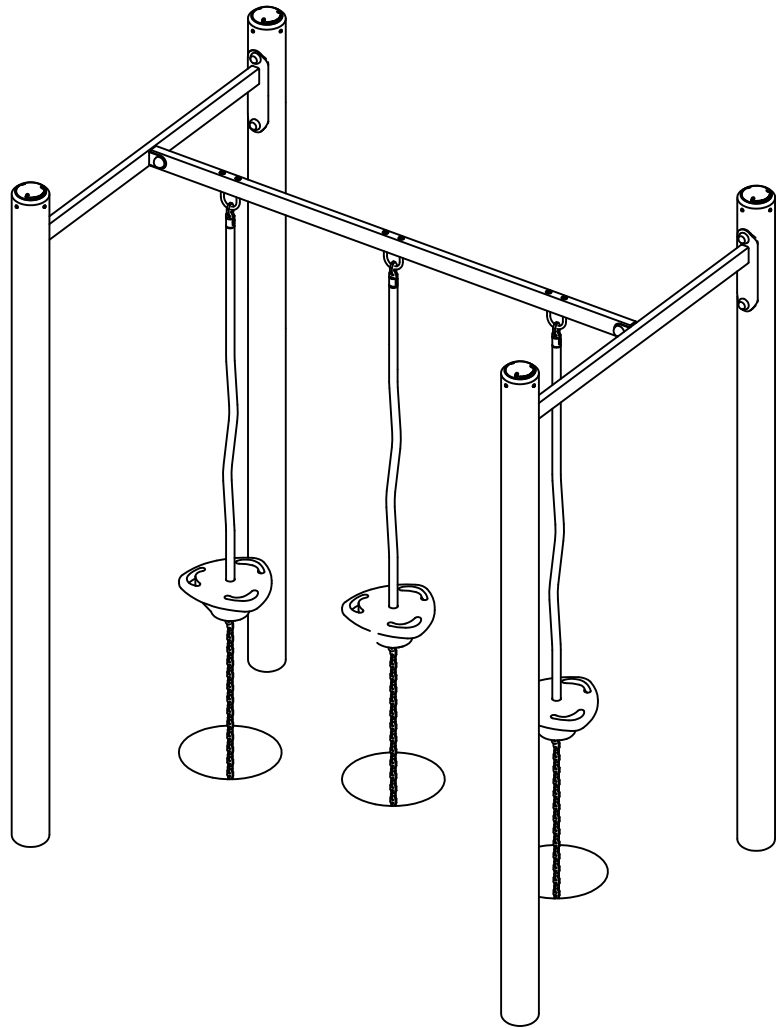
17. **Fill each PlayPod Footing Hole** with concrete while restraining the lower chain.

Note: It is important that each PlayPod Hanger Assembly, including the lower Chain be in line vertically from the top to the point where the chain enters the concrete.

18. **Allow concrete to set up** before proceeding to next step.



It is important that the concrete be mixed as described in "Concrete Requirements" and per manufacturer's recommendations.



19. **Raise each PlayPod** to expose the top nuts on the U-Bolt at the bottom of the PlayPod Hanger Assemblies.
20. **Adjust the U-Bolt nuts** to obtain a 6" max. range of motion in any direction.
21. **Secure PlayPods to PlayPod Hangers** using hardware (N) and (S).

