

EC-100A Sun Shelter 8' x 8' 2 SEATS
EC-107 Sun Shelter 8' x 8' 3 SEATS
EC-100 Sun Shelter 8' x 8' 4 SEATS
EC-102 Sun Shelter 8' x 16' 6 SEATS

Parts List					
DESCRIPTION	EC-100A	EC-107	EC-100	EC-102	PART NUMBER
COLUMN, G-LAM - 10'	4	4	4	6	Z010
BENCH BRACKET	4	6	8	12	H551
ANGLE CLIP	12	18	24	36	H552
BEAM BRACKET	4	4	4	6	H553
BENCH, SUN SHELTER	2	3	4	6	W435
1X4 BOARD, 96" LG.	4	4	4	4	W975
1 x 6 BOARD, 96" LG.	15	15	15	30	W977
2 x 6 BOARD, 96" LG.	6	6	6	7	W981
2 x 6 BOARD, 192" LG.	0	0	0	2	W985
2 x 8 BOARD, 81" LG.	2	3	4	6	W988
---HARDWARE COMPLETE---	0	0	1	0	C214
---HARDWARE COMPLETE---	1	0	0	0	C214A
---HARDWARE COMPLETE---	0	1	0	0	C214B
---HARDWARE COMPLETE---	0	0	0	1	C218
HOLE PLUG	124	122	120	190	G005G
FRAMING ANCHOR	4	4	4	8	H554
3/8" x 6" LAG SCREW	16	16	16	24	800737
5/16" x 2" LAG SCREW	28	42	56	84	800704
5/16" x 3" CARRAIGE BOLT	6	6	6	6	800210
5/16" x 2 1/4" HEX HEAD BOLT	36	46	56	84	800908
5/16" NYLON INSERT LOCKNUT	42	52	62	90	804352
3/8" FLAT WASHER	122	156	190	258	817410
8D GALV COMMON NAIL	60	60	60	120	818036
1 1/4" GALV ROOFING NAIL	40	40	40	80	818056

Unless Otherwise Specified, All Units of Measure are Each

Items listed below Hardware Complete line are included with Hardware Complete Number

Warning: During Installation, Hardware And Small Parts Are Choking Hazards For Young Children. Store Unused Parts Appropriately Until Assembly Is Completed. Once Assembly Is Completed, Remove Any Unused Parts From The Play Environment And Dispose/Save Them In A Secure Location. Any bolt end protruding more than two full threads beyond the face of the nut causes risk of clothing entanglement. Promptly cut-off flush, file smooth, and treat to prevent corrosion.

Note: Peen Tee-Nuts and Flatwashers to match radius of pipe after assembly is complete.

Note: Loctite (supplied by others) should be used on any non-patch hardware.

EC-100A Sun Shelter 8' x 8' 2 SEATS
EC-107 Sun Shelter 8' x 8' 3 SEATS
EC-100 Sun Shelter 8' x 8' 4 SEATS
EC-102 Sun Shelter 8' x 16' 6 SEATS

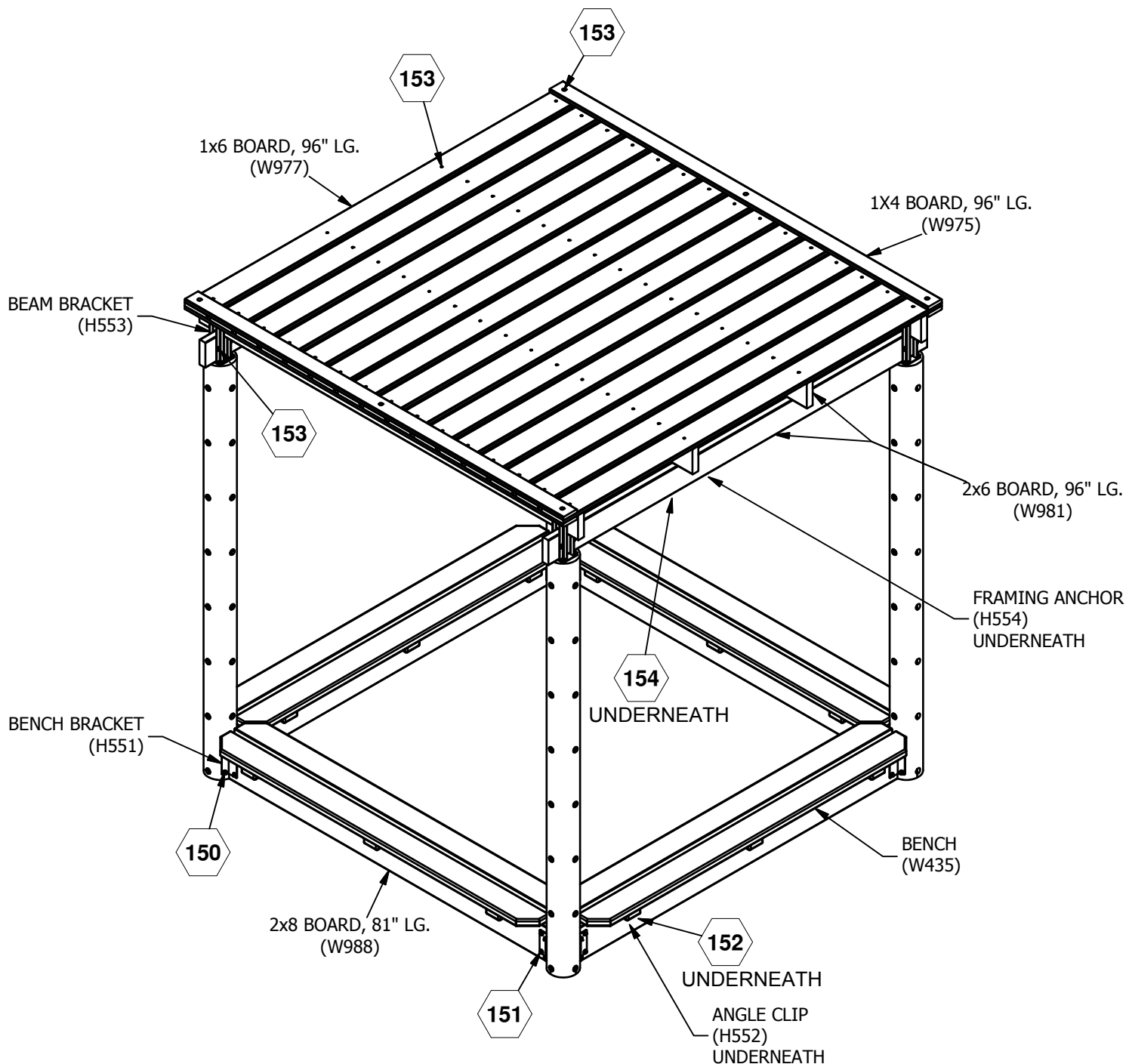
INSTALLATION INSTRUCTIONS:

1. Dig footing holes as shown in plan view.
2. Attach Bench Bracket to column using 3/8" Flat Washer and 3/8" x 2" Lag Screw. Predrill holes using a 1/4" drill bit to 1 1/2" deep. See Detail 150.
3. Position 2" x 8" board centered on Bench Bracket and mark holes. Drill holes thru using 3/8" drill bit.
4. Attach 2" x 8" board to Bench Bracket using 5/16" x 2 1/4" Hex Head Bolt, 3/8" Flat Washer, and 5/16" Nylon Lock Nut. See Detail 151.
5. Place Bench on edge of 2" x 8" board and mark location of holes on Angle Clips. Drill holes thru using 3/8" drill bit.
6. Attach Angle Clips to 2" x 8" board using, 5/16" x 2 1/4" Hex Head Bolts, 3/8" Flat Washers, and 5/16" Nylon Lock Nuts. See Detail 152.
7. Attach Bench to Angle Clips using 3/8" Flat Washer and 3/8" x 2" Lag Screw. Predrill holes using a 1/4" drill bit to 1 1/2" deep. See Detail 152.
8. Attach Beam Bracket to top of Column using 3/8" Flat Washer and 3/8" x 6" Lag Screw. Predrill holes using a 1/4" drill bit to 3 1/2" deep. See Detail 153.
9. Position 2" x 6" boards on Beam Bracket and mark holes. Drill holes thru using 3/8" drill bit. Attach boards using 5/16" x 2 1/4" Hex Bolts, 3/8" Flat Washers, and 5/16" Nylon Lock Nuts. See Detail 153.
10. Layout 2" x 6" boards on approximately 29" centers equally spaced on Beam Bracket. Attach 2" x 6" boards together using Framing Anchor and 1 1/4" Galv Roofing Nails. See Detail 154.
11. Layout 1" x 6" boards across the top of the 2" x 6" boards equally spaced approximately 3/4" apart. Secure 1" x 6" boards at every point that they cross 2' x 6" board. See Detail 153.
12. Attach 1" x 4" boards to the ends of the 1' x 6" boards flush on all ends. Drill 3 evenly spaced holes thru using 3/8" drill bit. Bolt together using 5/16" x 3" Carriage Bolts, 3/8" Flat Washers and 5/16" Nylon Lock Nuts. See Detail 153.
13. After entire unit is assembled pour concrete footings within 4" to the top and taper away from post for water drainage. Allow to cure at least 48 hours before use. Temporary bracing may be required until concrete cures
14. When the structure is finished and satisfactory, eliminate sharp points and sharp edges (burring) on installed hardware like bolts, nuts, etc. Install resilient surfacing material within the use zone of play structure in accordance with ASTM specifications F1292 appropriate for the fall height of each structure. Refer to the safety guidelines.

MAINTENANCE PROCEDURE:

Periodically check hardware for tightness, and tighten as necessary. Always check all parts for breakage or wear, and immediately put equipment out of service until any faulty parts found are repaired or replaced. Also Check all metal parts for rust, paint loss and touch-up if necessary with paint. Check for welded areas and verify integrity. Check periodically resilient surfacing for appropriate depth and remove extraneous materials that could cause injury, infection, or disease. Maintain detailed installation, inspection, maintenance, and repair records for each public-use playground equipment.

EC-100A Sun Shelter 8' x 8' 2 SEATS
EC-107 Sun Shelter 8' x 8' 3 SEATS
EC-100 Sun Shelter 8' x 8' 4 SEATS
EC-102 Sun Shelter 8' x 16' 6 SEATS



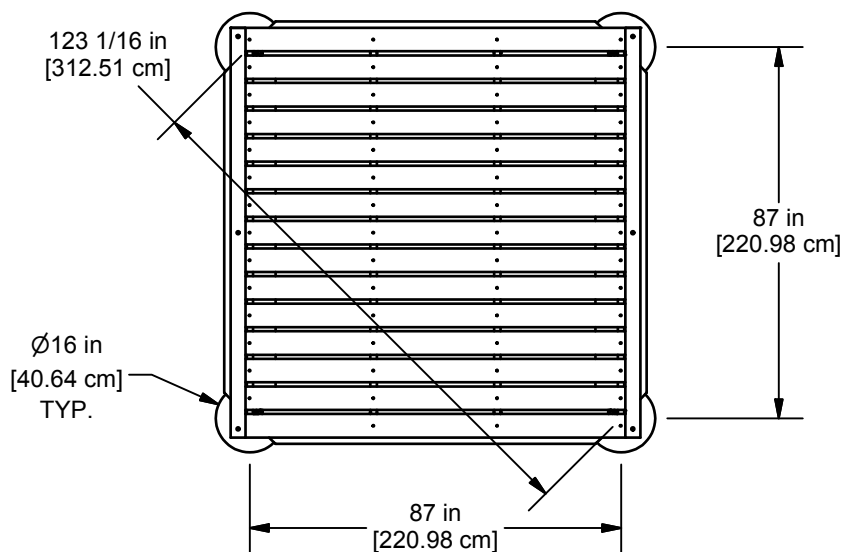
 = INSTALLATION DETAIL

FINISHED ASSEMBLY
 EC-100 SHOWN

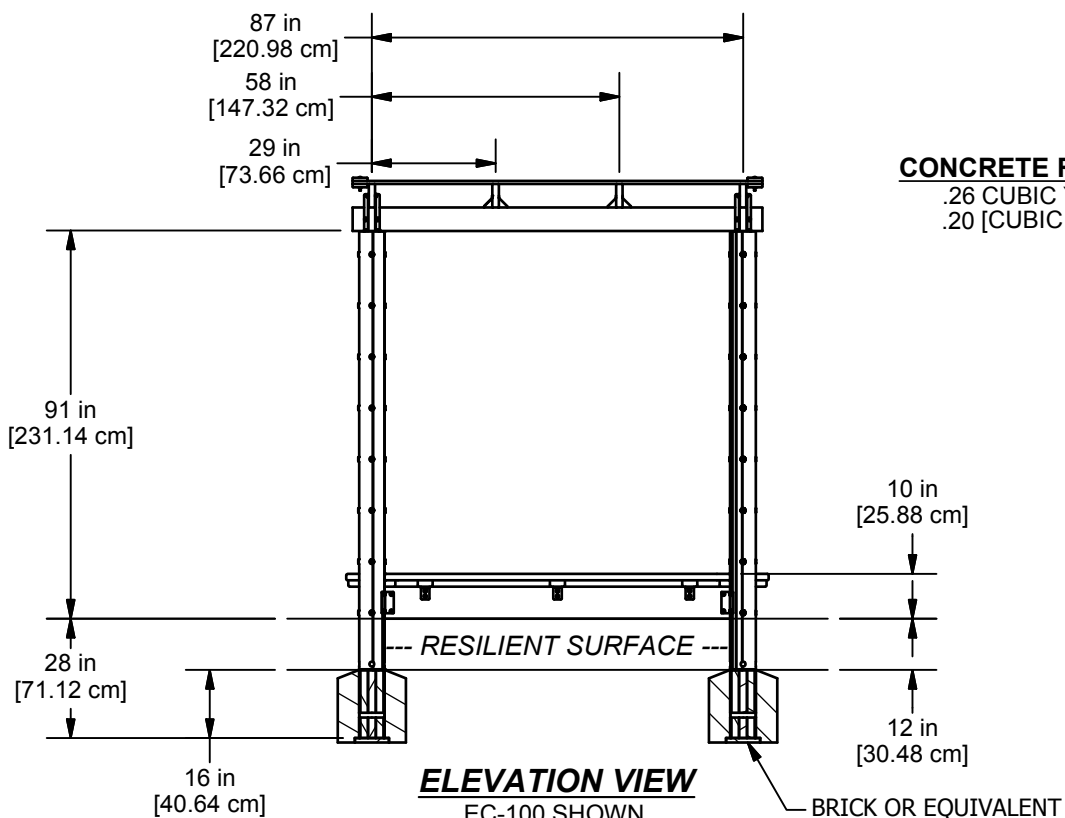
BigToys[®]

A PLAYCORE Company

EC-100A Sun Shelter 8' x 8' 2 SEATS
EC-107 Sun Shelter 8' x 8' 3 SEATS
EC-100 Sun Shelter 8' x 8' 4 SEATS
EC-102 Sun Shelter 8' x 16' 6 SEATS



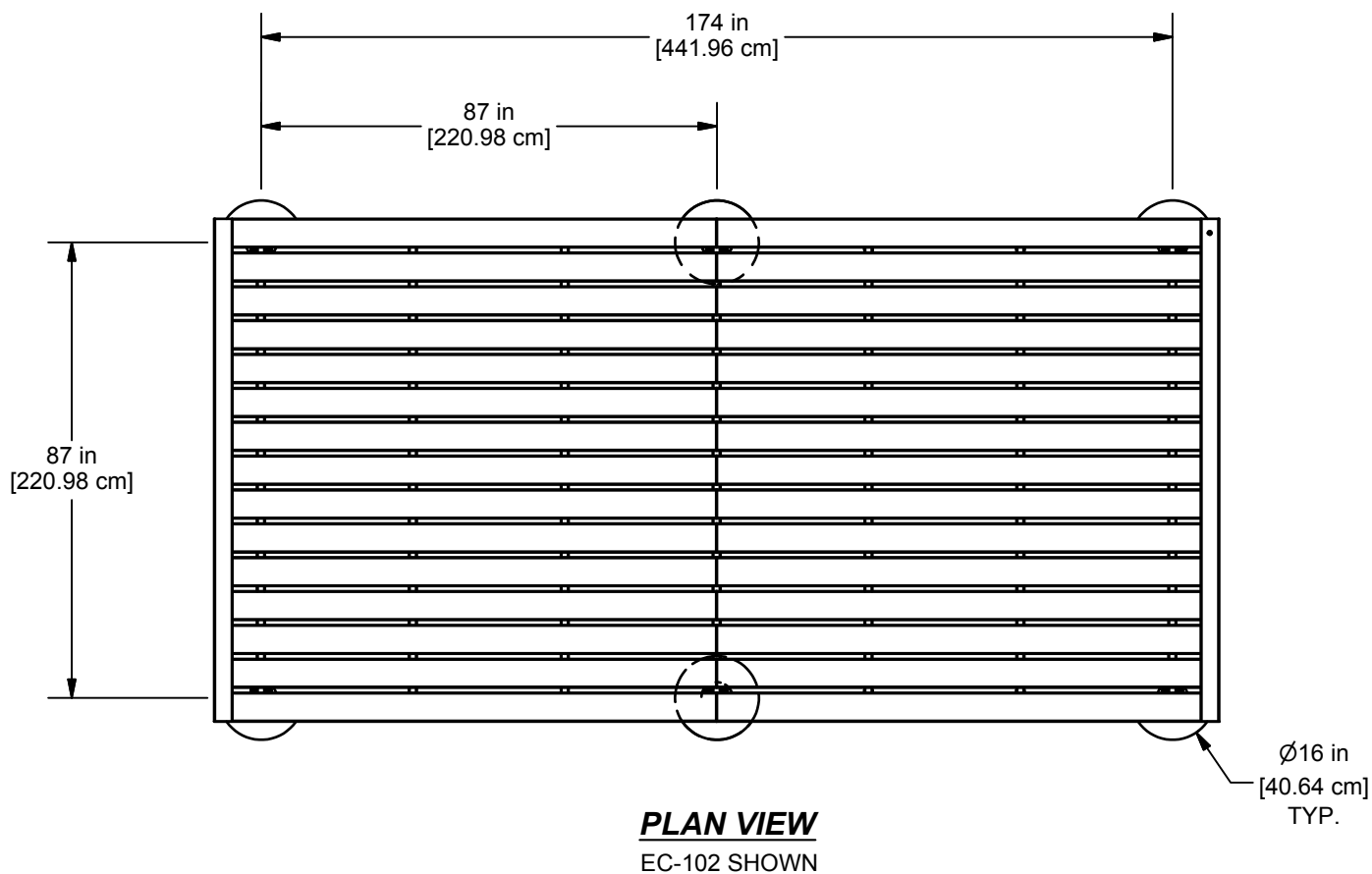
PLAN VIEW
 EC-100 SHOWN



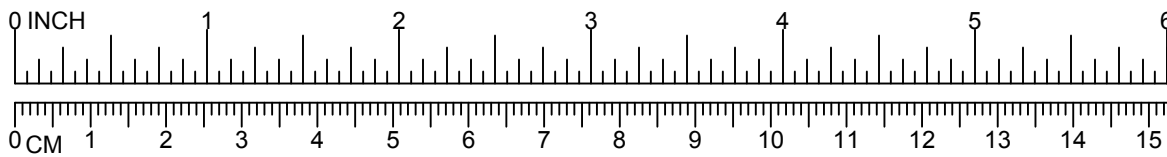
CONCRETE REQUIRED
 .26 CUBIC YARDS
 .20 [CUBIC METERS]

ELEVATION VIEW
 EC-100 SHOWN

EC-100A Sun Shelter 8' x 8' 2 SEATS
EC-107 Sun Shelter 8' x 8' 3 SEATS
EC-100 Sun Shelter 8' x 8' 4 SEATS
EC-102 Sun Shelter 8' x 16' 6 SEATS

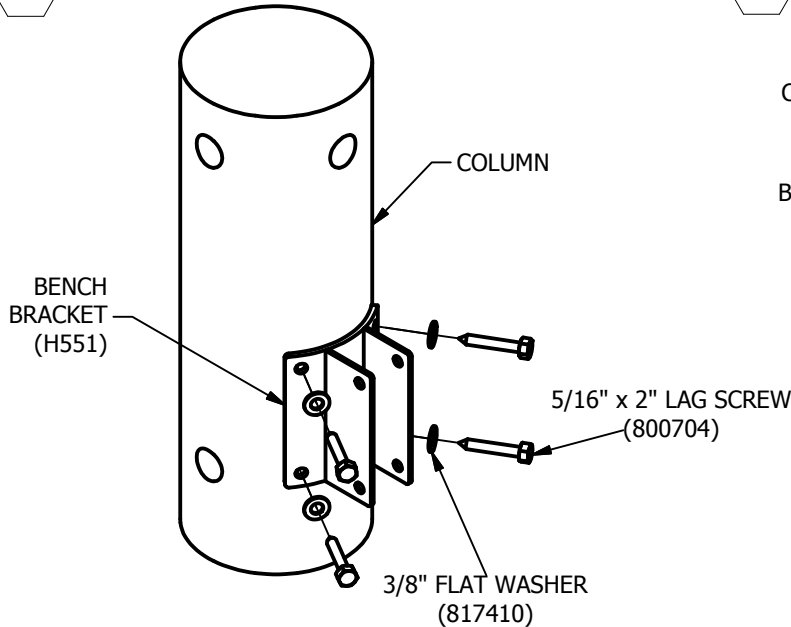


CONCRETE REQUIRED
 .40 CUBIC YARDS
 .30 [CUBIC METERS]

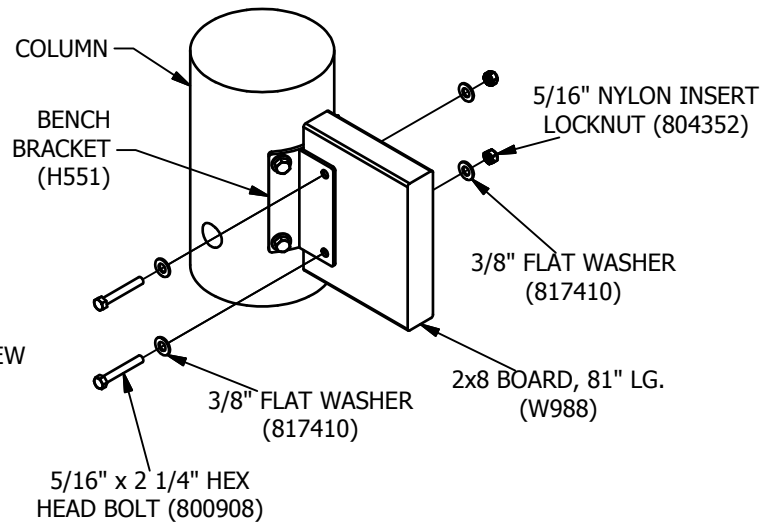


EC-100A Sun Shelter 8' x 8' 2 SEATS
EC-107 Sun Shelter 8' x 8' 3 SEATS
EC-100 Sun Shelter 8' x 8' 4 SEATS
EC-102 Sun Shelter 8' x 16' 6 SEATS

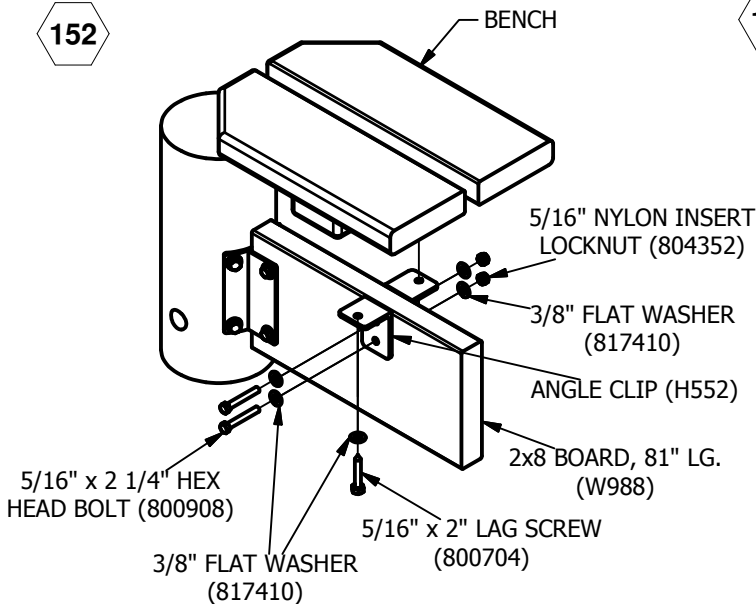
150



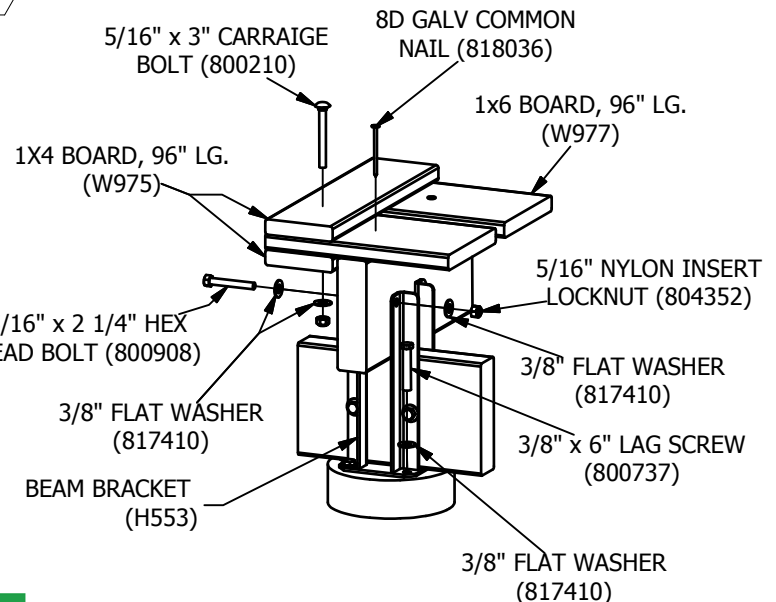
151



152



153



Issued/Revised: 7/15/14

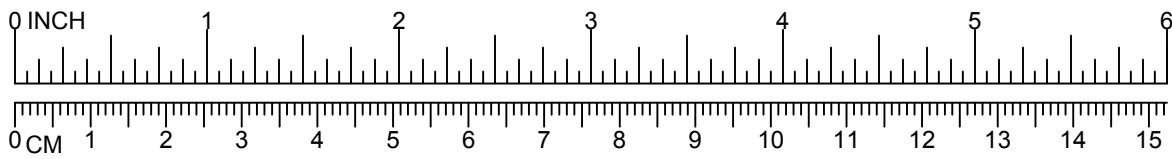
BigToys[®]

A PLAYCORE Company

SHEET 6 OF 7

1-866-814-8697

bigtoys.com



EC-100A Sun Shelter 8' x 8' 2 SEATS
EC-107 Sun Shelter 8' x 8' 3 SEATS
EC-100 Sun Shelter 8' x 8' 4 SEATS
EC-102 Sun Shelter 8' x 16' 6 SEATS

154

