

MC-040S School Panel (Recycled) - EC-040S (Wood)
MC-040P Post Office Panel (Recycled) - EC-040P (Wood)
MC-040F Fire Station Panel (Recycled) - EC-040F (Wood)

Parts List							
DESCRIPTION	MC-040S	MC-040P	MC-040F	EC-040S	EC-040P	EC-040F	PART NUMBER
STORE BOTTOM PANEL	1	1	1	1	1	1	402559
COUNTER PANEL	1	1	1	1	1	1	301372
POST OFFICE TOP PANEL	0	1	0	0	1	0	402560
SCHOOL TOP PANEL	1	0	0	1	0	0	402829
FIRE STATION TOP PANEL	0	0	1	0	0	1	402828
UPRIGHT - (RECYCLED)	2	2	2	0	0	0	402564
UPRIGHT - (WOOD)	0	0	0	2	2	2	402566
L-BRACKET	4	4	4	4	4	4	200205
---HARDWARE COMPLETE---	1	1	1	1	1	1	402830
3/8" x 5" HEX HEAD BOLT	8	8	8	8	8	8	801019
3/8" x 3/4" CARRIAGE BOLT	8	8	8	8	8	8	800252
3/8" LOCK NUT	8	8	8	8	8	8	804353
3/8" BARREL NUT	8	8	8	8	8	8	804804
3/8" INTERNAL TOOTH LOCKWASHER	16	16	16	16	16	16	817200
10MM DO-NUT BASE	16	16	16	16	16	16	G030
10MM DO-NUT CAP	16	16	16	16	16	16	G032
ANCHOR ROD	2	2	2	2	2	2	402121

Unless Otherwise Specified, All Units of Measure are Each

Items listed below Hardware Complete line are included with Hardware Complete Number

Warning: During Installation, Hardware And Small Parts Are Choking Hazards For Young Children. Store Unused Parts Appropriately Until Assembly Is Completed. Once Assembly Is Completed, Remove Any Unused Parts From The Play Environment And Dispose/Save Them In A Secure Location. Any bolt end protruding more than two full threads beyond the face of the nut causes risk of clothing entanglement.

Promptly cut-off flush, file smooth, and treat to prevent corrosion.

Note: Peen Tee-Nuts and Flatwashers to match radius of pipe after assembly is complete.

Note: Loctite (supplied by others) should be used on any non-patch hardware.

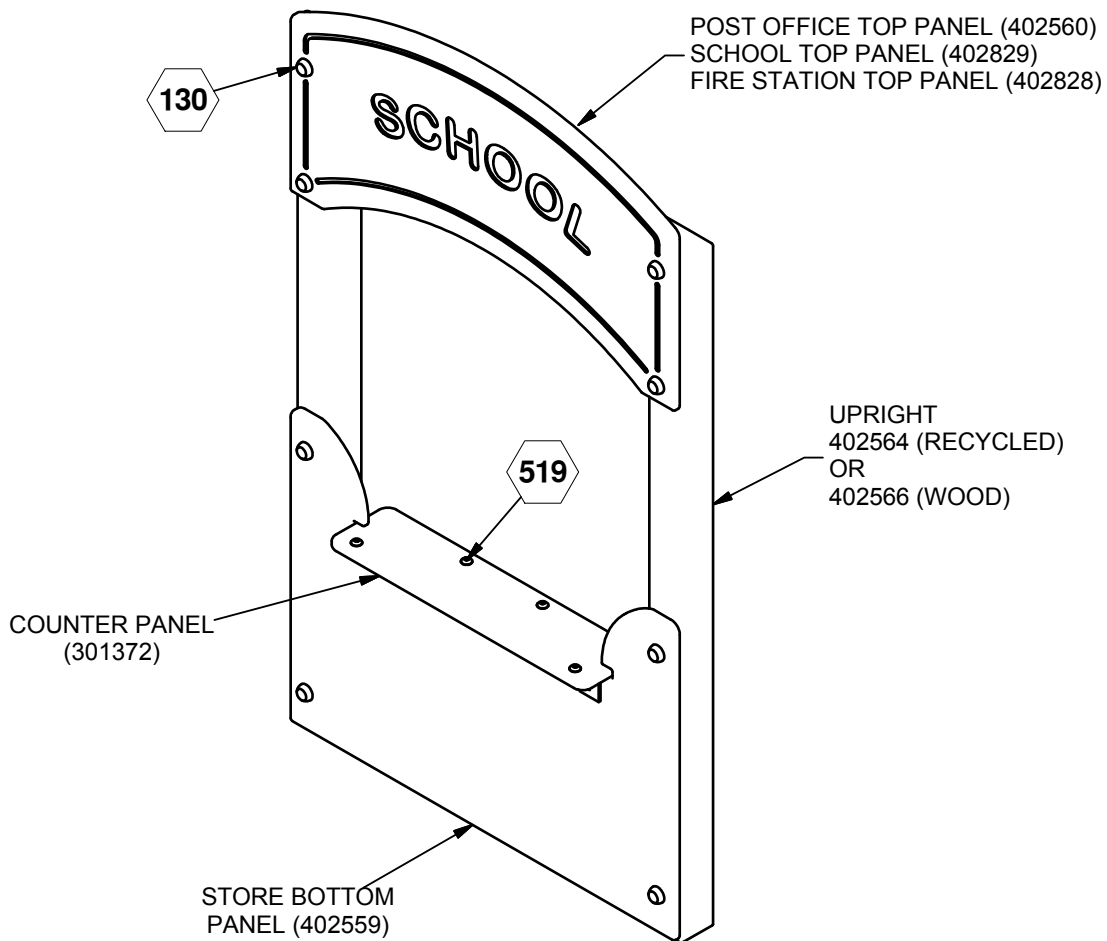
INSTALLATION INSTRUCTIONS:

1. Dig footing holes as shown in Elevation and Plan Views.
2. Locate Uprights and attach Store Panels using 3/8" x 5" Hex Head Bolt , 3/8" Internal Tooth Lock Washer, 3/8" Lock Nut, 10mm Do-Nut Base, and 10mm Do-Nut Cap as shown in Detail 130. See Plan View for orientation.
3. Attach Counter Panel to Bottom Panel with L-brackets using 3/8" x 3/4" Carriage Bolt w/Patch and 3/8" Barrel Nut as shown in Detail 519. See Assembly View for location.
4. Insert Anchor Rods through the bottom hole of the Uprights.
5. Plumb and level the entire assembly and tighten all fasteners.
6. After entire unit is assembled, pour concrete footings within 4" to the top and taper away from post for water drainage. Allow to cure at least 48 hours before use. Temporary bracing may be required until concrete cures.
7. When the structure is finished and satisfactory, eliminate sharp points and sharp edges (burring) on installed hardware like bolts, nuts etc. Install resilient surfacing material within the use zone of play structure in accordance with ASTM specifications F1292 appropriate for the fall height of each structure. Refer to the safety guidelines.

MC-040S School Panel (Recycled) - EC-040S (Wood)
MC-040P Post Office Panel (Recycled) - EC-040P (Wood)
MC-040F Fire Station Panel (Recycled) - EC-040F (Wood)

MAINTENANCE PROCEDURE:

Periodically check hardware for tightness, and tighten as necessary. Always check all parts for breakage or wear, and immediately put equipment out of service until any faulty parts found are repaired or replaced. Also Check all metal parts for rust, paint loss and touch-up if necessary with paint. Check for welded areas and verify integrity. Check periodically resilient surfacing for appropriate depth and remove extraneous materials that could cause injury, infection, or disease. Maintain detailed installation, inspection, maintenance, and repair records for each public-use playground equipment.



 = INSTALLATION DETAIL

Issued/Revised: 5/26/2017

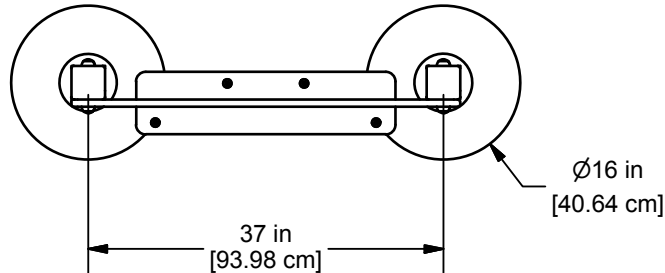
FINISHED ASSEMBLY
 MC-040S SHOWN

BigToys[®]

A PLAYCORE Company

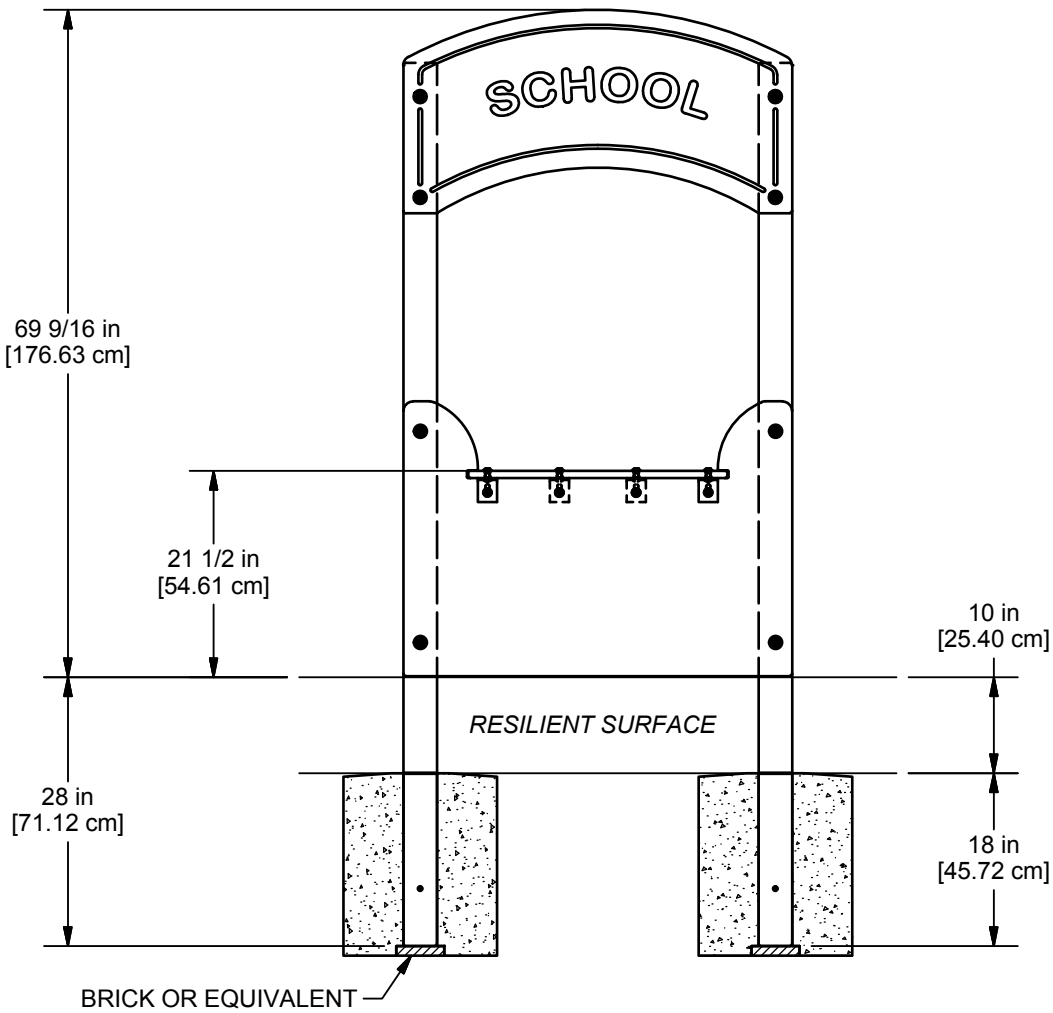
SHEET 2 OF 4

MC-040S School Panel (Recycled) - EC-040S (Wood)
MC-040P Post Office Panel (Recycled) - EC-040P (Wood)
MC-040F Fire Station Panel (Recycled) - EC-040F (Wood)

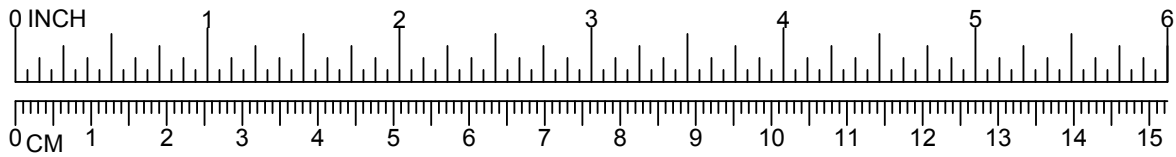


PLAN VIEW

CONCRETE REQUIRED
 .16 CUBIC YARDS
 .12 [CUBIC METERS]



ELEVATION VIEW
 MC-040S SHOWN



MC-040S School Panel (Recycled) - EC-040S (Wood)
MC-040P Post Office Panel (Recycled) - EC-040P (Wood)
MC-040F Fire Station Panel (Recycled) - EC-040F (Wood)

130

