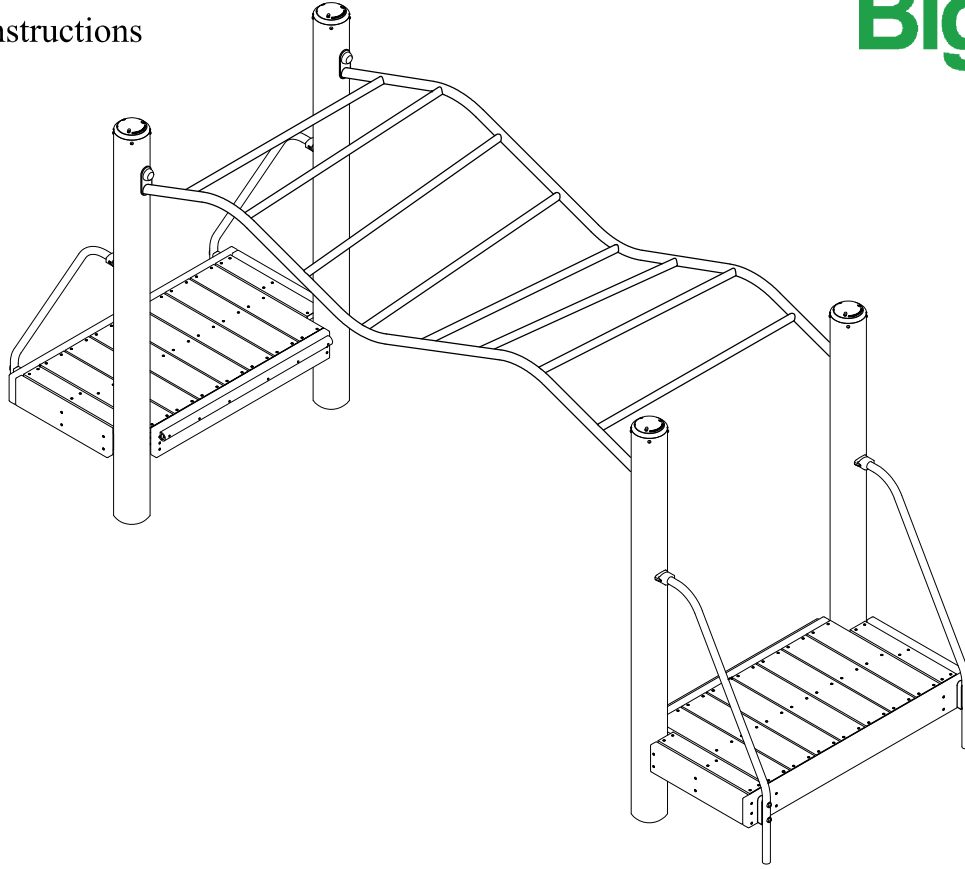






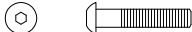












Overhead Wave Ladder - Metal

MBT-516
Installation Instructions



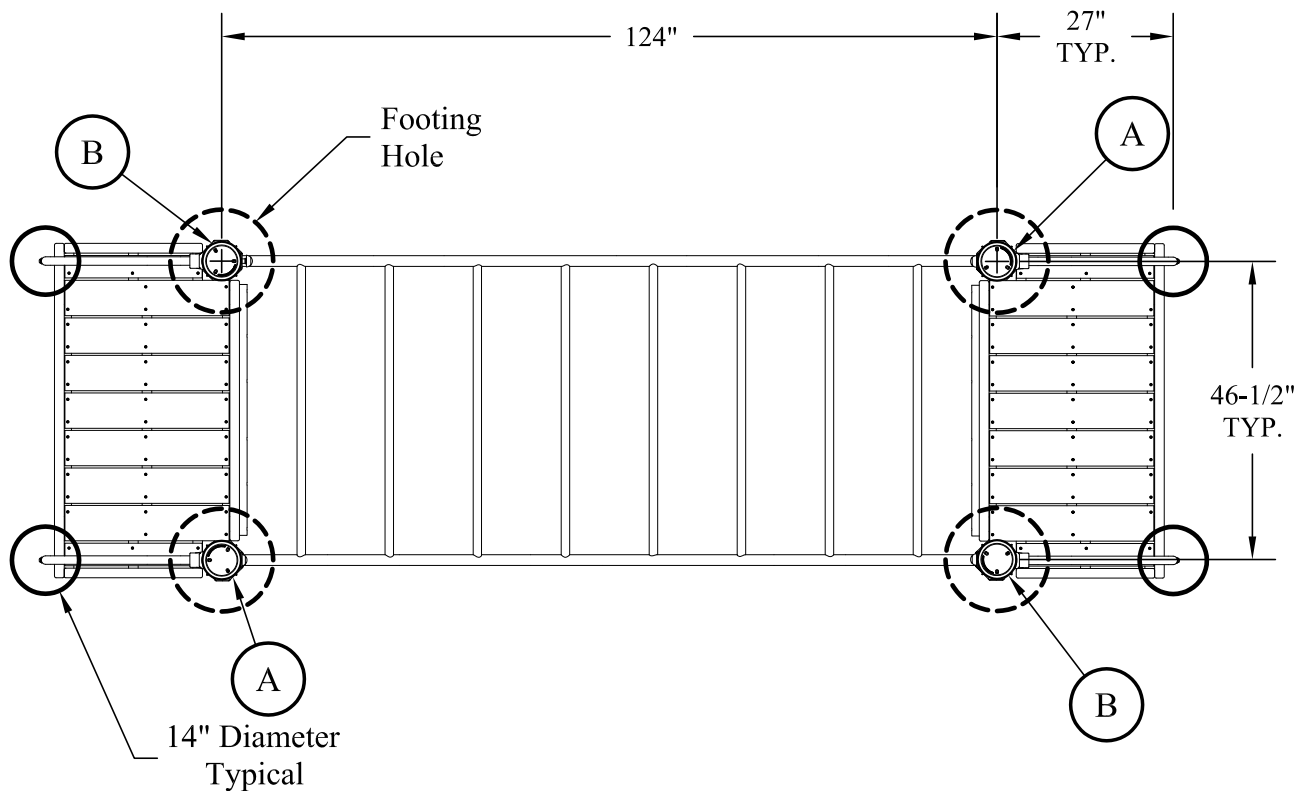
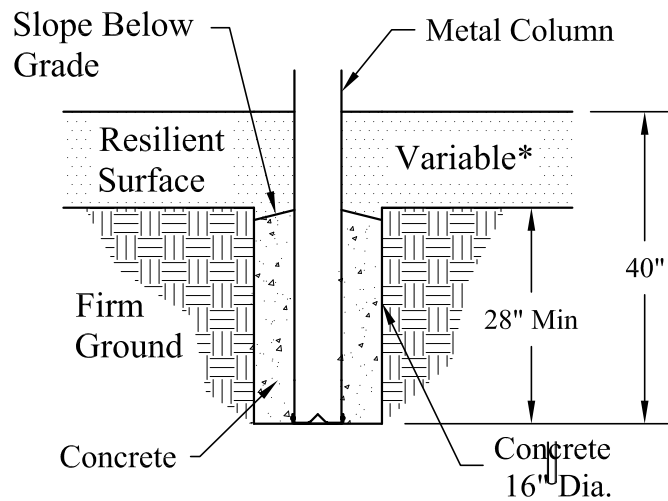
| DET. | QTY. | PART# | DESCRIPTION | ICON (NOT TO SCALE) |
|------|------|--------|---|---------------------|
| A | 2 | A010K_ | Column, Alum 10'-0" - End/Plat Drill 3H R | |
| B | 2 | A010L_ | Column, Alum 10'-0" - End/Plat Drill 3H L | |
| C | 1 | G389_ | Overhead Wave Ladder | |
| D | 2 | 402088 | Platform Balcony - M | |
| E | 4 | 401499 | Access Handrail, Stand Alone - M | |
| | 1 | 405455 | Hardware Complete | |
| F | 12 | M000 | Threaded Insert 1/2" | |
| G | 4 | 801206 | Bolt Tap 1/2-13 x 1-3/4" Grd 2 Nc Pltd | |
| H | 4 | G034 | Do-Nut Base (No Boss) 12mm | |
| I | 4 | G036 | Do-Nut Cap 12mm | |
| J | 4 | 817201 | Lock Washer, 1/2" Int Tooth Type A PLTD | |
| K | 12 | 815513 | #12 x 1-1/4" Sq Dr Pn Hd SS | |
| L | 2 | 7010 | Platform Bumper 9 Board | |
| M | 2 | 401425 | Bumper Plate 9 Board HDG | |

Continued

| DET. | QTY. | PART# | DESCRIPTION | ICON (NOT TO SCALE) |
|------|------|--------|--|---|
| N | 4 | 401628 | Receptacle Connector |  |
| O | 4 | 401394 | Pipe Cradle, 1" |  |
| P | 4 | 801206 | Bolt Tap 1/2-13 x 1-3/4" Grd 2 Nc Pltd |  |
| Q | 4 | 811056 | Cap Screw, 3/8 x 2-1/4" BTN HD SS |  |
| R | 8 | 811055 | Cap Screw, 3/8 x 2" Btn Hd |  |
| S | 4 | 816081 | Set Screw 1/2 x 1-1/2" P-lock Tool End |  |
| T | 4 | 804353 | Nut Hex 3/8-16 2-Way Locknut NC PLTD |  |
| U | 8 | 401428 | Spiral Slide Curved Washer Stainless |  |
| V | 4 | 817412 | 1/2" Flat Washer, 1-1/16" OD SS |  |
| W | 4 | 817460 | 3/8" SS Flatwasher (.62" OD) |  |
| Y | 4 | 811065 | Cap Screw, 1/2 x 2-1/2" Btn Hd |  |
| Z | 4 | 817412 | 1/2" Flat Washer, 1-1/16" OD SS |  |
| AA | 8 | 805301 | Rivet, Alum Drive 1/4 x 11/32 |  |
| BB | 8 | 806051 | Drive Screw #14 x 1/2" Rnd Hd Type "U" |  |
| CC | 12 | 810062 | Screw Sheet Metal FH Sq Dr SS #10x1/2" |  |
| DD | 4 | G010 | End Cap |  |
| EE | 4 | M600 | Column End Fitting, Alum |  |

1. Refer to your structure design for the location of the Overhead Wave Ladder.
2. **Locate and dig Column Footing Holes** and Handrail Holes as shown.

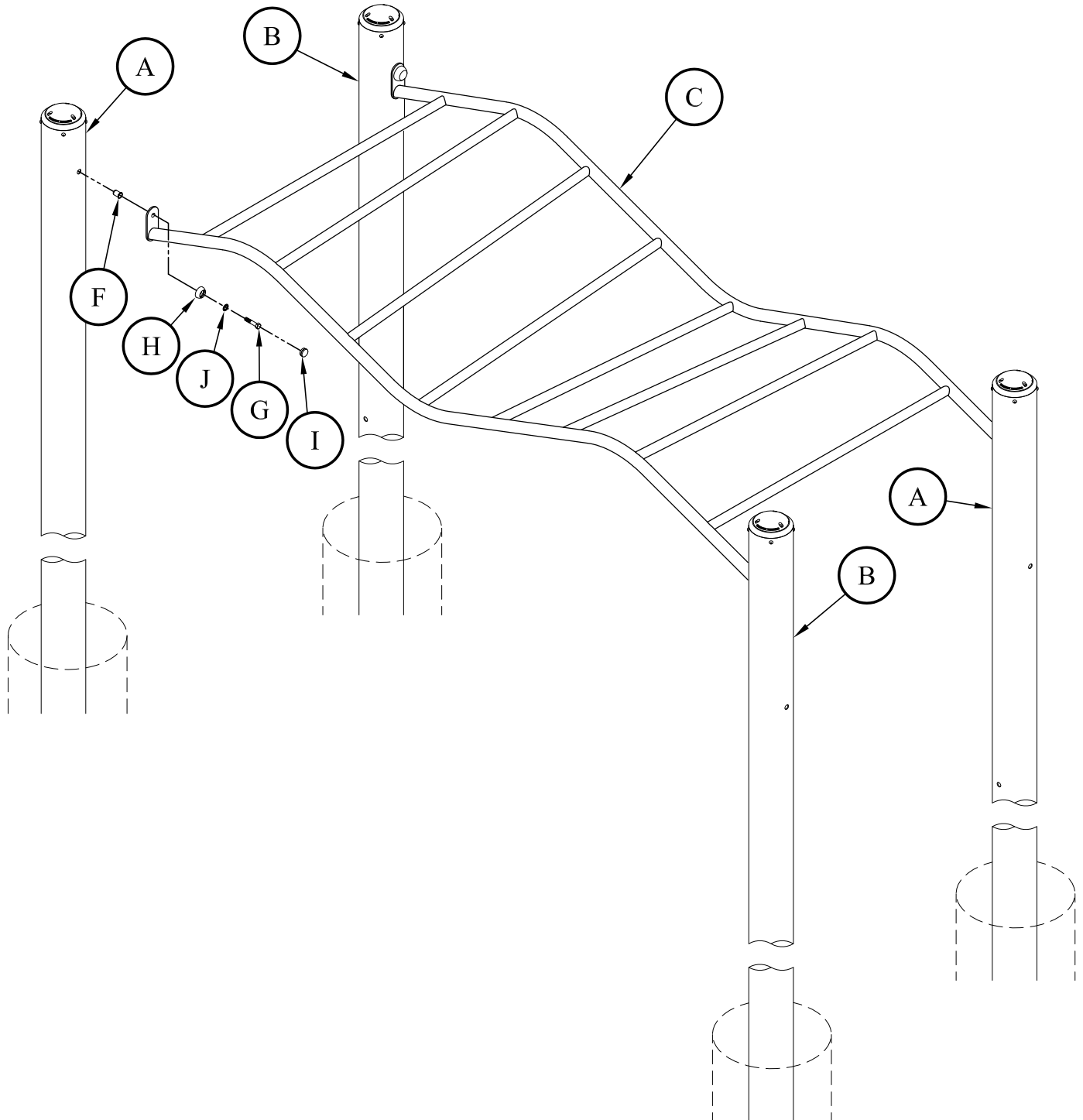
Deep Footing
 (BigToys 5-12)
 (2.8 to 3.8 cubic feet of concrete)**



5. **Attach Overhead Ladder (C)** to columns (A)(B) using hardware (F)(H)(J)(G)(I).

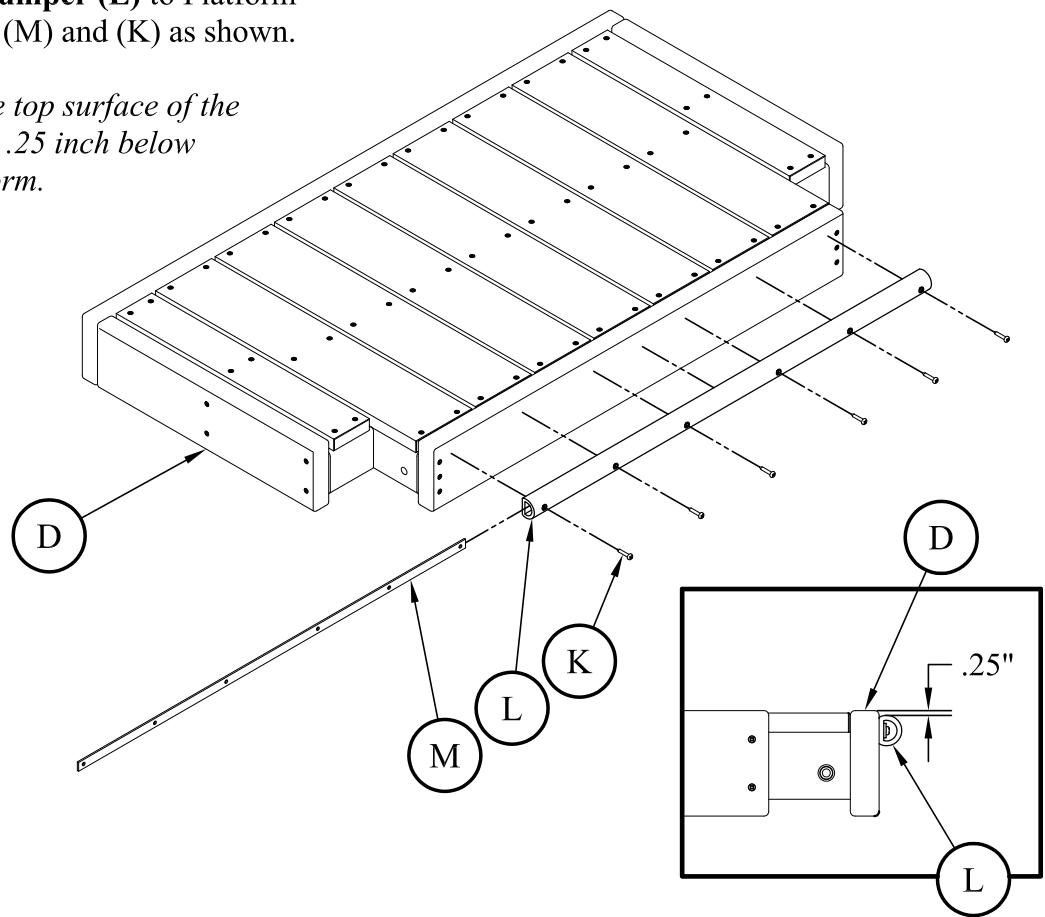


Refer to "Typical Threaded Insert Installation" in the supplemental prolog (iM1000) for installation procedures.

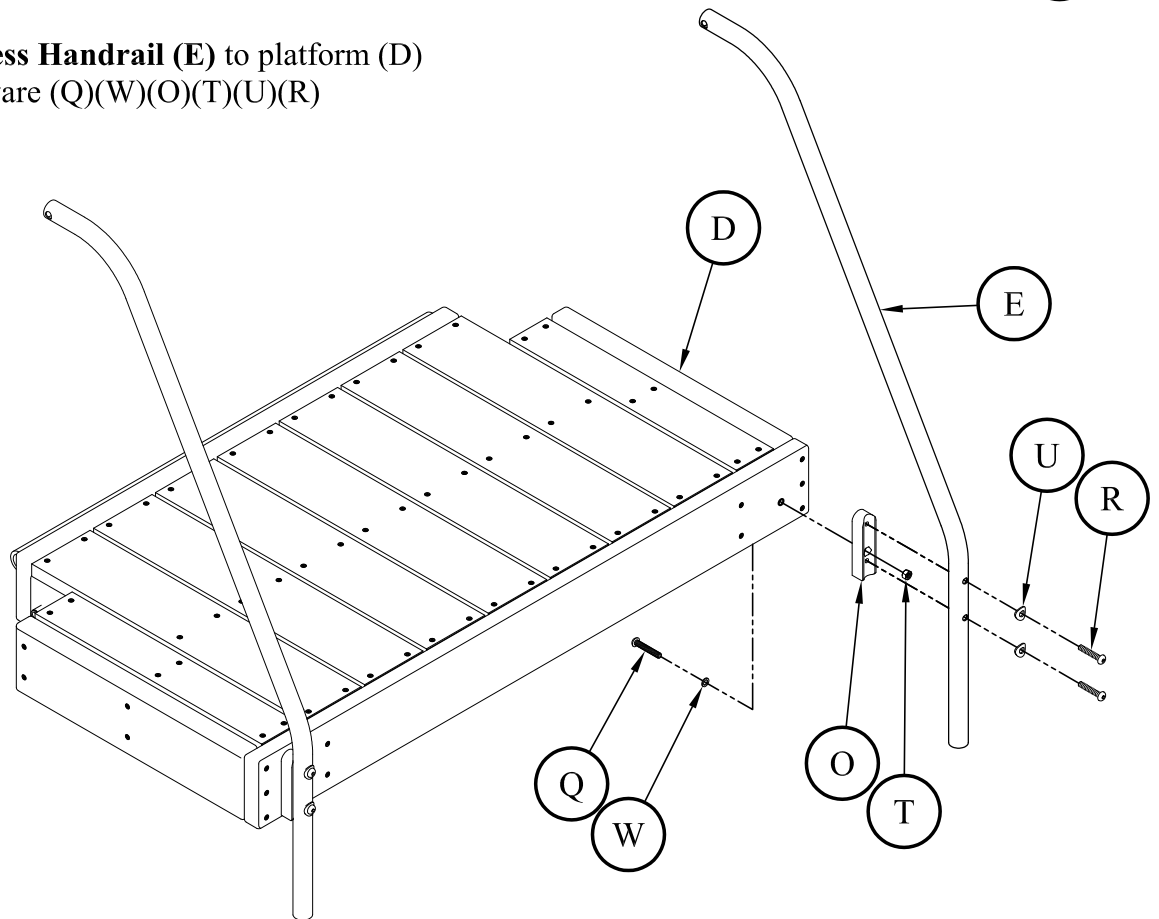


6. **Attach Platform Bumper (L)** to Platform (D) using hardware (M) and (K) as shown.

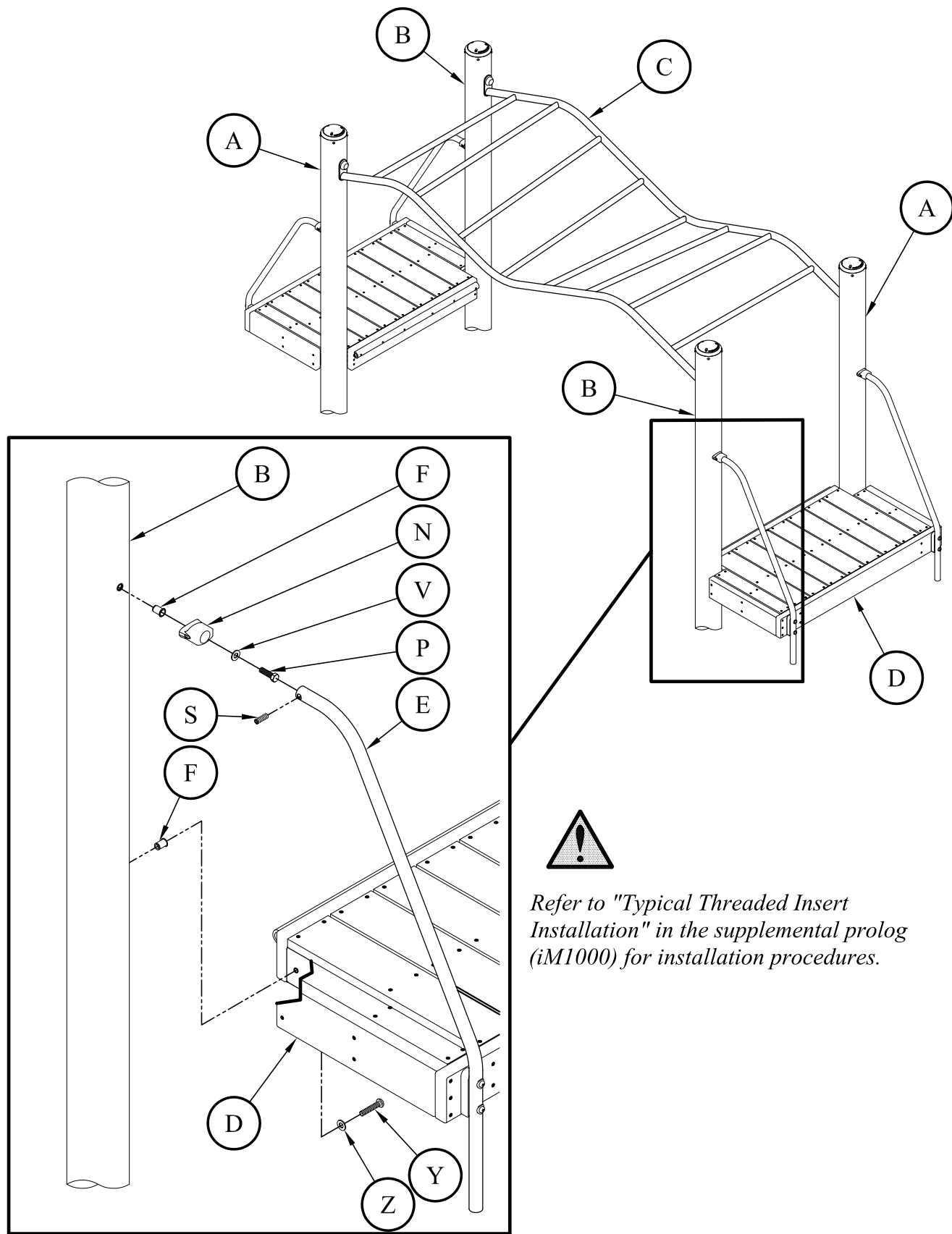
Note: Make sure the top surface of the Platform Bumper is .25 inch below the surface of platform.



7. **Install Access Handrail (E)** to platform (D) using hardware (Q)(W)(O)(T)(U)(R) as shown.



8. **Install Platform (D) and Handrail (E)**
to columns (A)(B) using hardware
(F)(Z)(Y)(N)(P)(V) as shown.



Refer to "Typical Threaded Insert
Installation" in the supplemental prolog
(iM1000) for installation procedures.