

EC-118 LABYRINTH MEC-118 LABYRINTH

Parts List			
DESCRIPTION	EC-118	MEC-118	PART NUMBER
WAVE PANEL	1	1	401099
LABYRINTH MODULE	1	1	402106
6'-0" ALUMINUM COLUMN	0	2	405064
6'-0" WOOD COLUMN	2	0	Z006
END CAP	2	2	G010
COLUMN END FITTING	0	2	M600
HARDWARE COMPLETE	1	0	405065
HARDWARE COMPLETE	0	1	405066
EAGLE FASTENER	16	0	G005G*
COLUMN END FITTING (WOOD)	2	1	Z600*
10MM DO-NUT BASE	8	8	G030*
10MM DO-NUT CAP	8	8	G032*
12MM DO-NUT BASE	4	4	G034*
12MM DO-NUT CAP	4	4	G036*
2 1/2" FLAT WASHER 2" O.D.	4	4	817413*
1/2" x 3" HEX HEAD BOLT	0	4	800806*
1/2" X 4" HEX HEAD BOLT	4	0	800809*
#10 x 1/2" SHEET METAL SCREW	0	6	810062*
#10 X 2" WOOD SCREW	6	0	815507*
3/8" INTERNAL TOOTH LOCKWASHER	8	8	817200*
3/8" x 1" HEX HEAD BOLT - SS	8	8	801003*
1/4" x 15/32" DRIVE RIVET	0	4	805303*
COLUMN FOOTING PIPE	1	0	401991*
LABEL, 2-5 YRS	1	0	H400E*
LABEL, 2-5 YRS	0	1	E401E*

Unless Otherwise Specified, All Units of Measure are Each

Items listed below Hardware Complete line are included with Hardware Complete Number

Warning: During Installation, Hardware And Small Parts Are Choking Hazards For Young Children. Store Unused Parts Appropriately Until Assembly Is Completed. Once Assembly Is Completed, Remove Any Unused Parts From The Play Environment And Dispose/Save Them In A Secure Location. Any bolt end protruding more than two full threads beyond the face of the nut causes risk of clothing entanglement. Promptly cut-off flush, file smooth, and treat to prevent corrosion.

Note: Peen Tee-Nuts and Flatwashers to match radius of pipe after assembly is complete.

Note: Loctite (supplied by others) should be used on any non-patch hardware.

INSTALLATION INSTRUCTIONS:

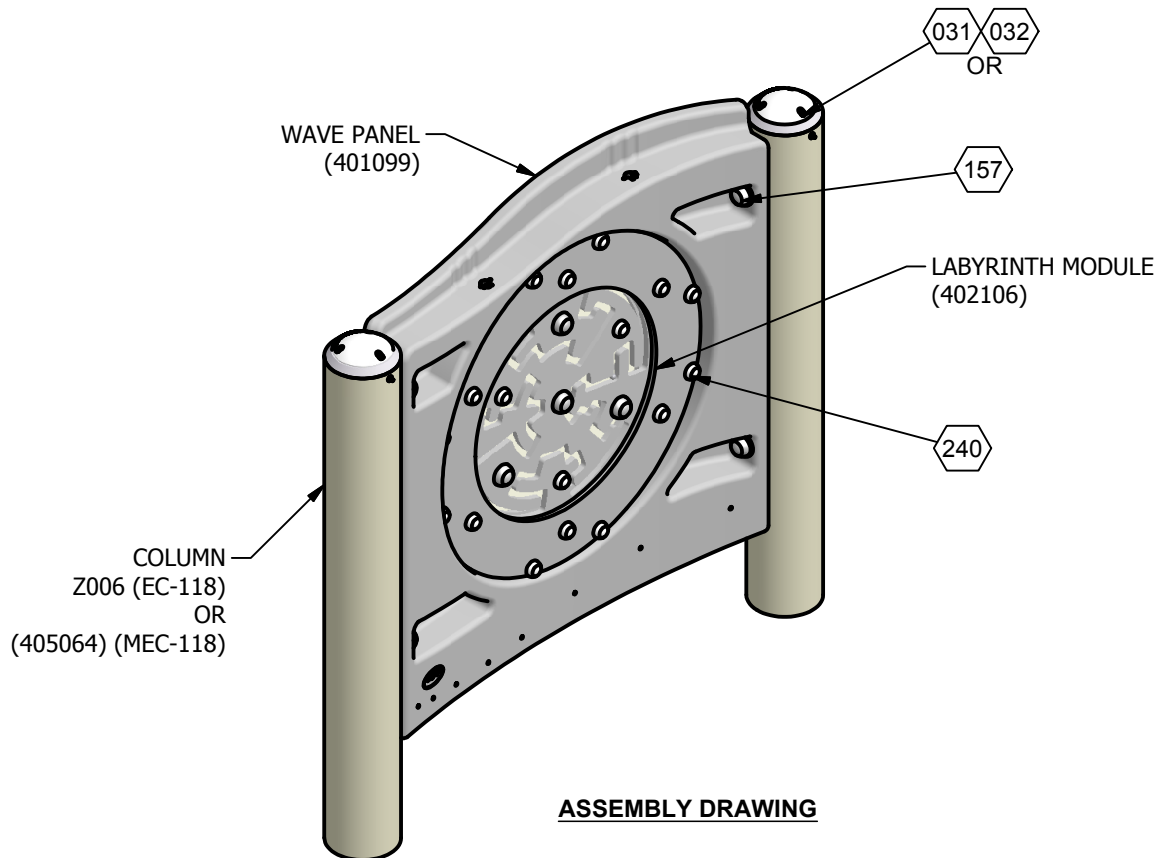
1. Dig footing holes as shown in Elevation View.
2. Insert Columns into holes using Brick or equivalent as support as shown in Elevation View.
3. (For EC-118 only) Locate holes in upright that will receive Wave Panel, drive Eagle Fasteners into these holes. Fill open column holes above the surfacing line with hole plugs. Refer to Typical Threaded Insert and Eagle Fastener Installation.)

EC-118 LABYRINTH MEC-118 LABYRINTH

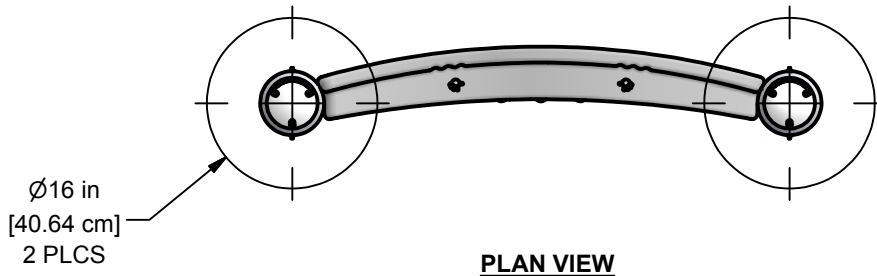
4. Attach Panels to Columns using 2 1/2" Flat Washer, Do-Nut Base, 1/2" x 3" (EC118) or 1/2" x 4" (MEC118) Hex Head Bolt, and Do-Nut Cap. See Detail 157.
5. Attach Labyrinth Module to Panel using Do-Nut Base, 3/8" Lockwasher, 3/8" x 1" Hex Bolt, and Do-Nut Cap. See Detail 240.
6. Attach End Fitting and End Cap to the top of Columns using 1/2" Screws as shown in Detail 031 (EC118) or 032 (MEC118).
7. Plumb and Level the entire assembly and tighten all fasteners. Pour concrete as shown in Elevation View.
8. When the structure is finished and satisfactory, eliminate sharp points and edges (burring) on installed hardware like bolts, nuts, etc. Install resilient surfacing material within the use zone of play structure in accordance with ASTM specifications F1292 appropriate for the fall height of each structure. Refer to the Safety Guidelines.

MAINTENANCE PROCEDURE:

Periodically check hardware for tightness, and tighten as necessary. Always check all parts for breakage or wear, and immediately put equipment out of service until any faulty parts found are repaired or replaced. Also Check all metal parts for rust, paint loss and touch-up if necessary with paint. Check for welded areas and verify integrity. Check periodically resilient surfacing for appropriate depth and remove extraneous materials that could cause injury, infection, or disease. Maintain detailed installation, inspection, maintenance, and repair records for each public-use playground equipment.



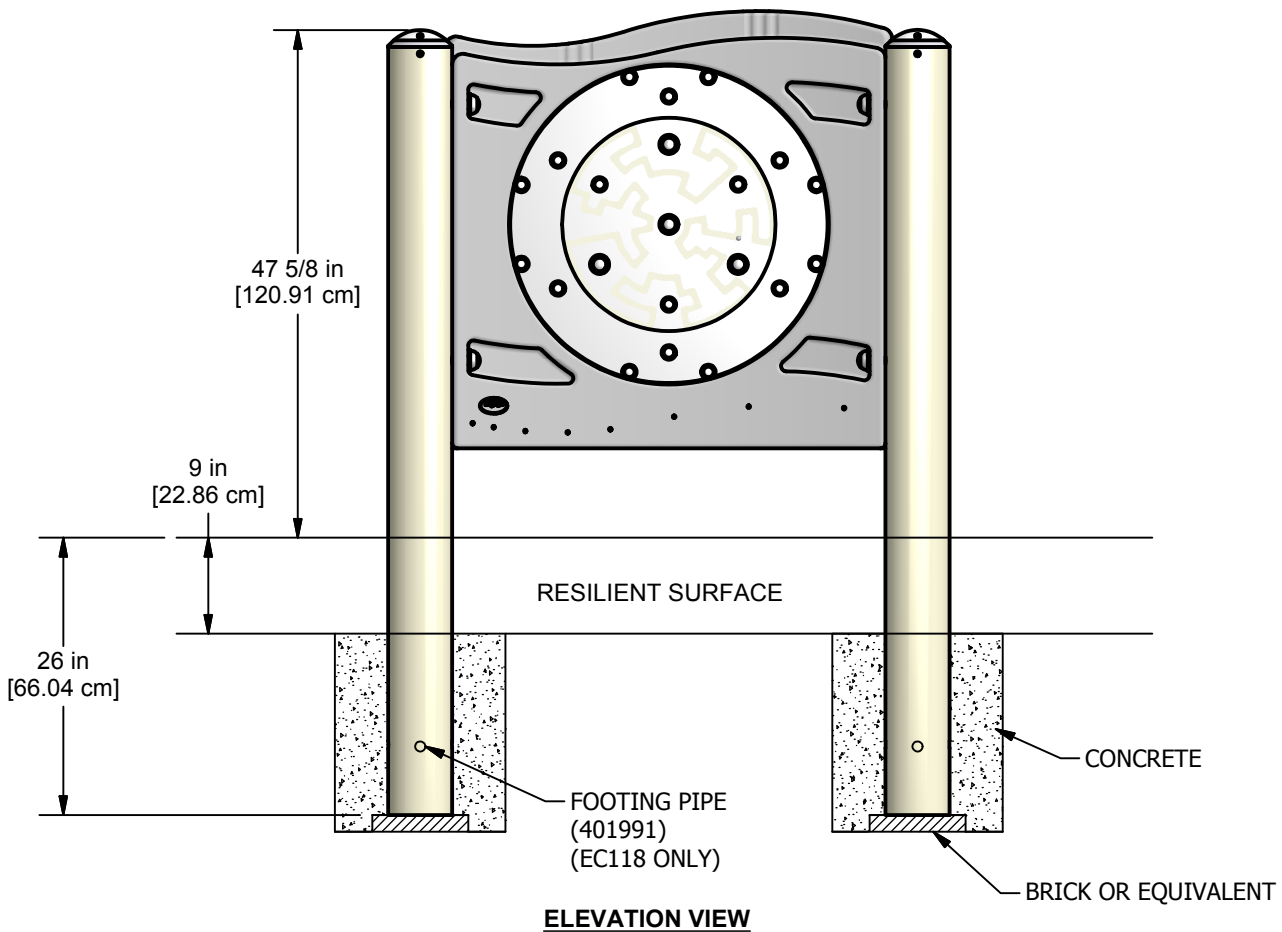
EC-118 LABYRINTH MEC-118 LABYRINTH



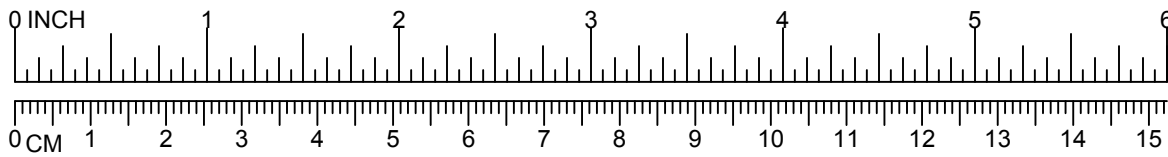
PLAN VIEW

CONCRETE REQUIRED

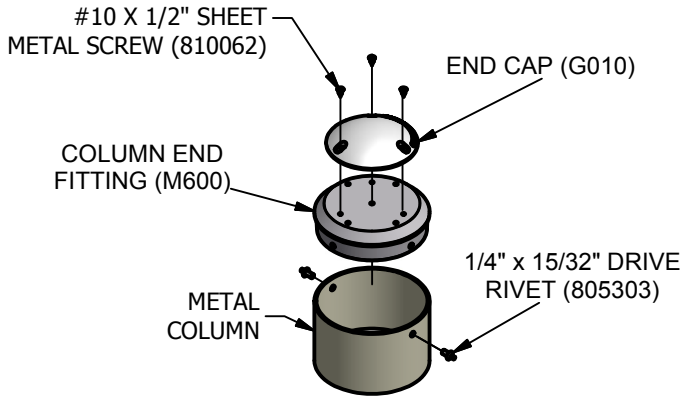
.14 CUBIC YARDS
.12 [CUBIC METERS]



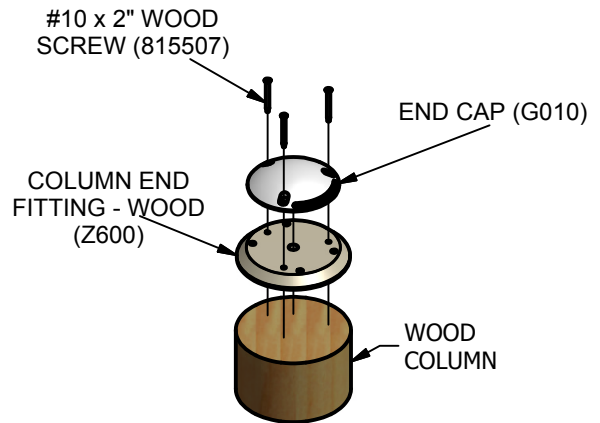
ELEVATION VIEW



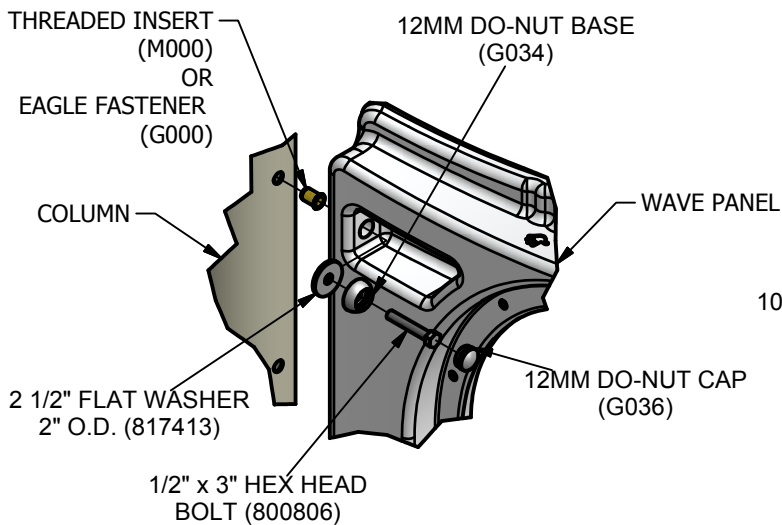
EC-118 LABYRINTH MEC-118 LABYRINTH



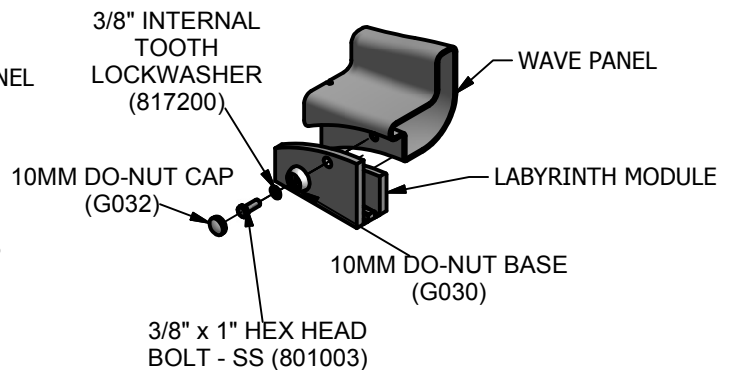
031



032



157



240