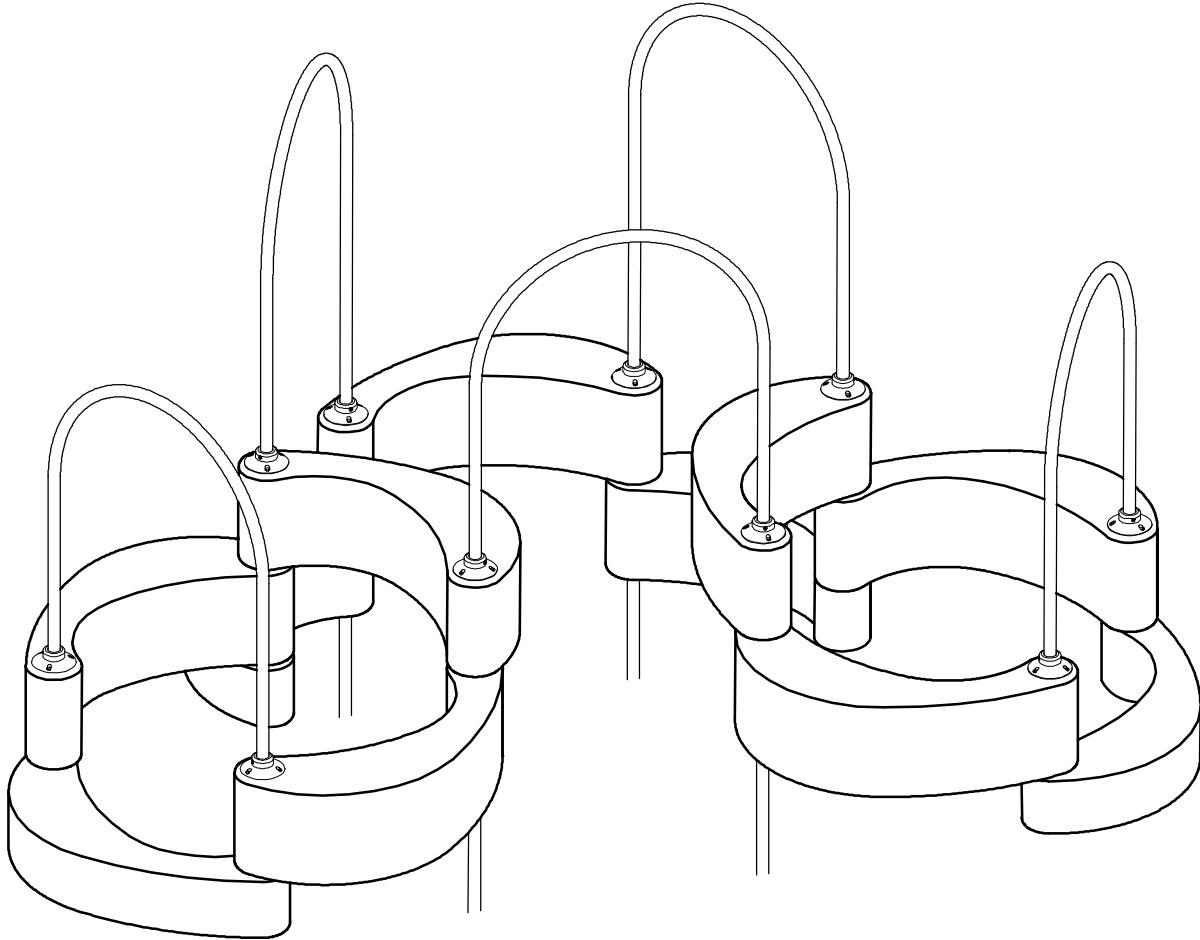


Expanded Playshell Climber

EC-635

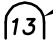
Installation Instructions



DET.	QTY.	PART#	DESCRIPTION	ICON (NOT TO SCALE)
A	2	R660	Pipe, 15'-0" Bent 32" Dia.	
B	3	R675	Pipe 17"-0" Bent 32" Dia.	
C	11	401548	Playshell 12"	
D	20	G420_	PlayShell Collar, Plastic	
E	20	G425	PlayShell Stop Collar	
F	10	402121	Anchor Rod 3/8" x 6" Round Bar Plain	

1. Refer to your structure design for the configuration of the **Expanded Playshell Climber**.

Pay careful attention to the layout drawing marked with the proper length of U-pipes.

Example:  Length of U-pipe

2. **Determine the location** of the footing holes by temporarily laying out the Playshells (C) as shown in your design.
3. **Move the Playshells away** and dig 8" diameter footing holes using the formula below to calculate the depth.

Use this simple formula to find the footing depths for your BigToys® **Playshell Climber**:

Total Depth minus Resilient Surface Thickness equals Footing Depth.

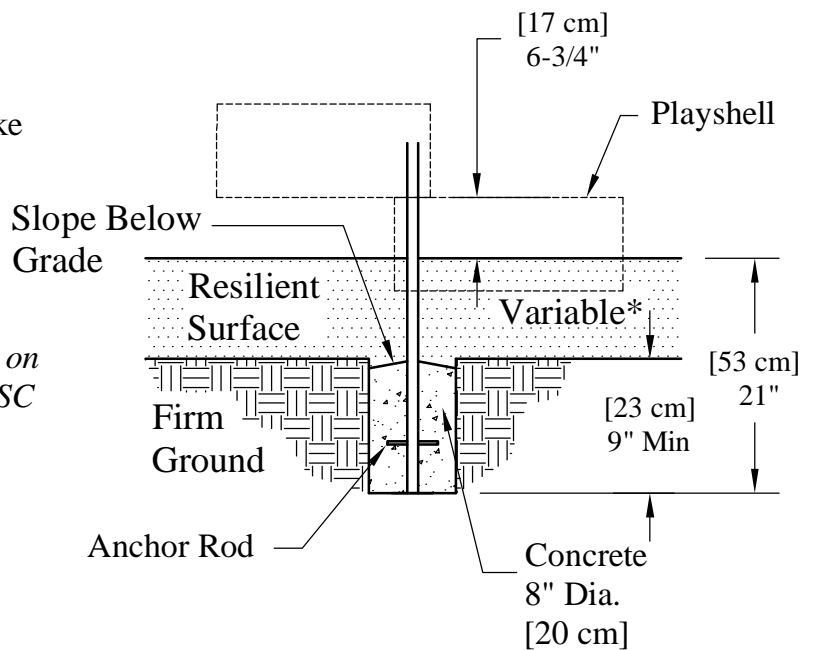
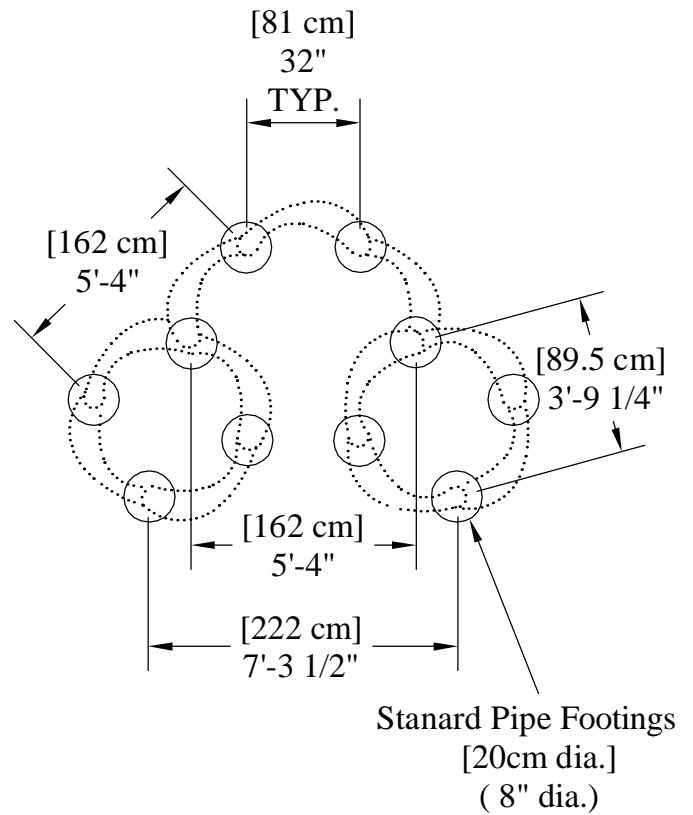
$$TD - RST = FD$$

Example: to find the footing depth for a Playshell Footing Pipe with 12 inches of resilient surface, the formula would look like this:

$$21" - 12" = 9"$$

Your footing depth is 9"

** Depth of resilient surface will vary depending on the type of surfacing used. (See enclosed USCPSC report.)*



Make sure the entire structure is plumb and level before filling footing holes with concrete.

4. **To assemble the Expanded Playshell Climber** start with the lowest Playshells.
5. **Slide a Collar (D)** Onto the Pipe (A)(B) from the underside. Slide a Stop Collar (E) Onto Pipe (A)(B) Tighten the set screw in the Stop Collar
6. **Position a 6" Anchor rod (F)** in the lower hole of each Pipe and place in the footing holes.
7. **Orient each Playshell (C)** as required and progressively slip onto previously positioned Playshell , stacking the configuration upward from the lowest points.

