

BigToys[®]

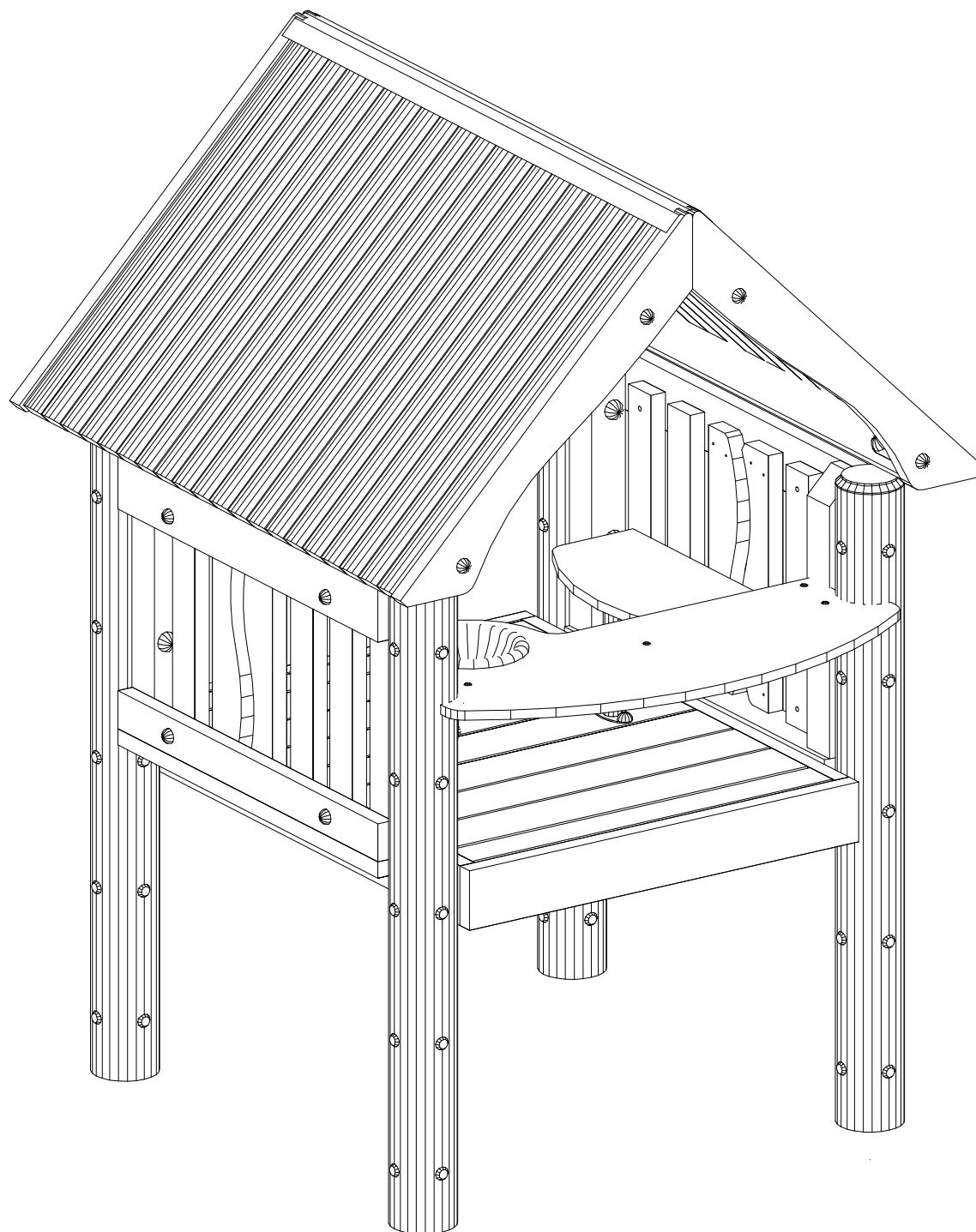
A PLAYCORE company

EarlyWorks Structure 2-5

Layout Drawing

EC-640

ISO View

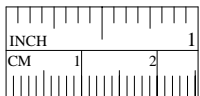
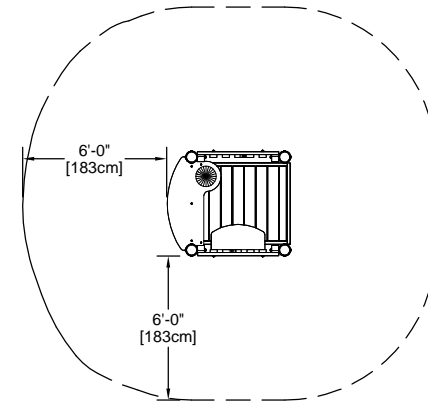
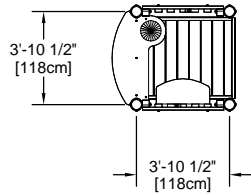


EarlyWorks Structure 2-5

Layout Drawing

EC-640

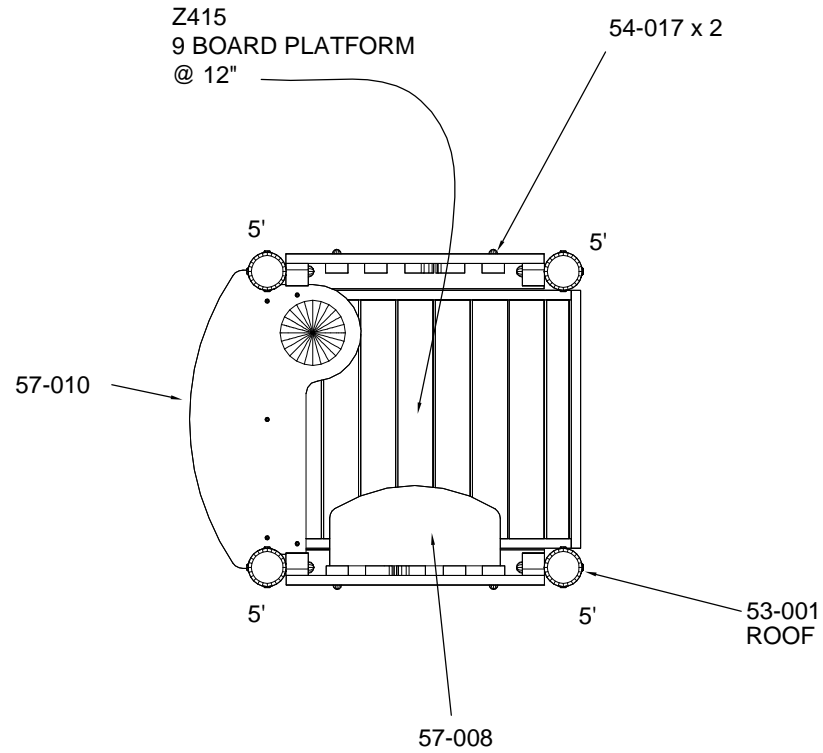
Scale Plan



Structure Dimension:	5'-0" X 4'-6"
Resilient Surface Area:	17'-6" X 16'-6"
Estimated Concrete:	5 ft. ³ (.14m ³)
Fall Height:	2'-5"
Estimated Hours to Install:	10
Plan View Scale:	1/8"=1'-0"

EarlyWorks Structure 2-5 Layout Drawing EC-640 Large Plan

METRIC CONVERSION:
6" = 15cm 60" = 152cm
12" = 30cm 66" = 168cm
18" = 46cm 72" = 183cm
24" = 61cm 78" = 198cm
30" = 76cm 84" = 213cm
36" = 94cm 90" = 229cm
42" = 107cm 96" = 224cm
48" = 122cm 102" = 259cm
54" = 137cm



M03009 PLATFORM 9 BOARD - METAL Z03009 PLATFORM 9 BOARD - WOOD

Parts List			
DESCRIPTION	M03-009	Z03-009	PART NUMBER
PLATFORM 9 BOARD - M	1	0	M415
PLATFORM 9 BOARD - W	0	1	Z415
----HARDWARE COMPLETE----	1	0	E490
----HARDWARE COMPLETE----	0	1	D490
EAGLE FASTENER	0	1	G000
12MM DO-NUT BASE	1	1	G034
12MM DO-NUT CAP	1	1	G036
1/2" THREADED INSERT	1	0	M000
1/2" x 4" HEX HEAD BOLT	1	0	800809
1/2" x 5" HEX HEAD BOLT	0	1	800807
1/2" INTERNAL TOOTH LOCK WASHER	1	1	817201

Unless Otherwise Specified, All Units of Measure are Each

Items listed below Hardware Complete line are included with Hardware Complete Number

Warning: During Installation, Hardware And Small Parts Are Choking Hazards For Young Children. Store Unused Parts Appropriately Until Assembly Is Completed. Once Assembly Is Completed, Remove Any Unused Parts From The Play Environment And Dispose/Save Them In A Secure Location. Any bolt end protruding more than two full threads beyond the face of the nut causes risk of clothing entanglement.

Promptly cut-off flush, file smooth, and treat to prevent corrosion.

Note: Peen Tee-Nuts and Flatwashers to match radius of pipe after assembly is complete.

Note: Loctite (supplied by others) should be used on any non-patch hardware.

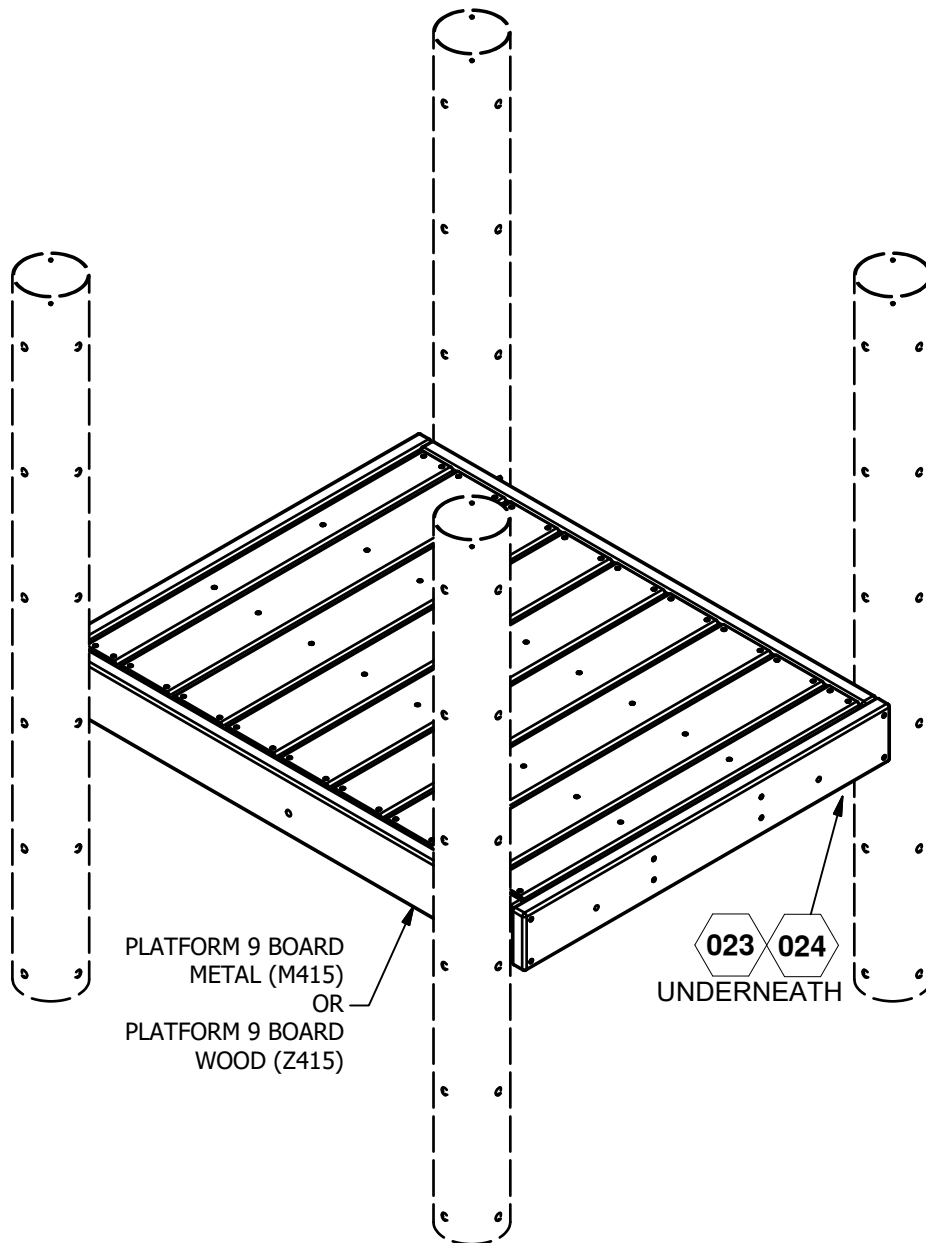
INSTALLATION INSTRUCTIONS:

- Determine the location, height and orientation of the Platform 9 Board shown in the structure design layout plans.
- Install 1/2" Threaded Inserts or Eagle Fasteners in columns at proper locations.
(Refer to Installation Prolog for typical Threaded Insert and Eagle Fastener Installation.)
- Attach Platform 9 Board to Upright using a 1/2" Threaded Insert, 12mm Do-Nut Base, 1/2" Internal Tooth Lock Washer, 1/2" x 4" Hex Head Bolt, and 12mm Do-Nut Cap. See Detail 023.
- IMPORTANT:** If installing the wood version attach Platform 9 Board to Upright using a Eagle Fastener, 12mm Do-Nut Base, 1/2" Internal Tooth Lock Washer, 1/2" x 5" Hex Head Bolt, and 12mm Do-Nut Cap. See Detail 024.
- When all decks are completed and correct, pour concrete footings within 4" to the top and taper away from support posts to allow water drainage. Allow curing at least 48 hours before use.
- Plumb and level the entire assembly and tighten all fasteners.
- When the structure is finished and satisfactory, eliminate sharp points and sharp edges (burring) on installed hardware like bolts, nuts, etc. Install resilient surfacing material within the use zone of play structure in accordance with ASTM specifications F1292 appropriate for the fall height of each structure. Refer to the safety guidelines.

M03009 PLATFORM 9 BOARD - METAL Z03009 PLATFORM 9 BOARD - WOOD

MAINTENANCE PROCEDURE:

Periodically check hardware for tightness, and tighten as necessary. Always check all parts for breakage or wear, and immediately put equipment out of service until any faulty parts found are repaired or replaced. Also Check all metal parts for rust, paint loss and touch-up if necessary with paint. Check for welded areas and verify integrity. Check periodically resilient surfacing for appropriate depth and remove extraneous materials that could cause injury, infection, or disease. Maintain detailed installation, inspection, maintenance, and repair records for each public-use playground equipment.



 = INSTALLATION DETAIL

Issued/Revised: 3/20/2013

FINISHED ASSEMBLY
M03-009 SHOWN

BigToys[®]

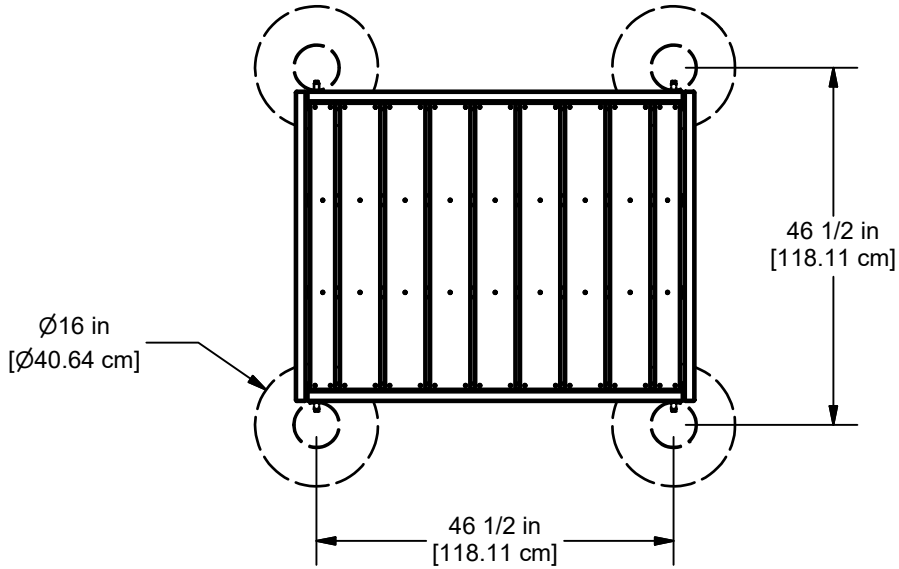
A PLAYCORE Company

COMPONENTS SHOWN IN
HIDDEN LINES ARE SOLD SEPARATELY
SHEET 2 OF 4

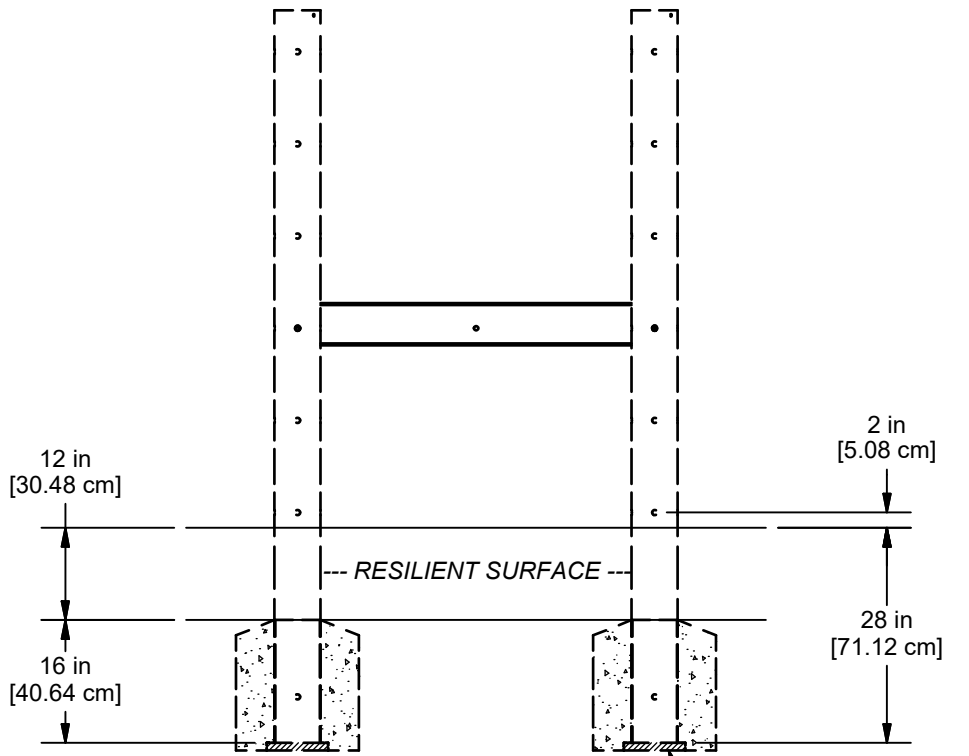
1-866-814-8697

bigtoys.com

M03009 PLATFORM 9 BOARD - METAL Z03009 PLATFORM 9 BOARD - WOOD



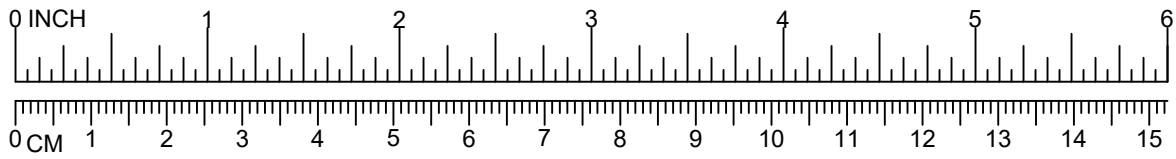
PLAN VIEW



ELEVATION VIEW

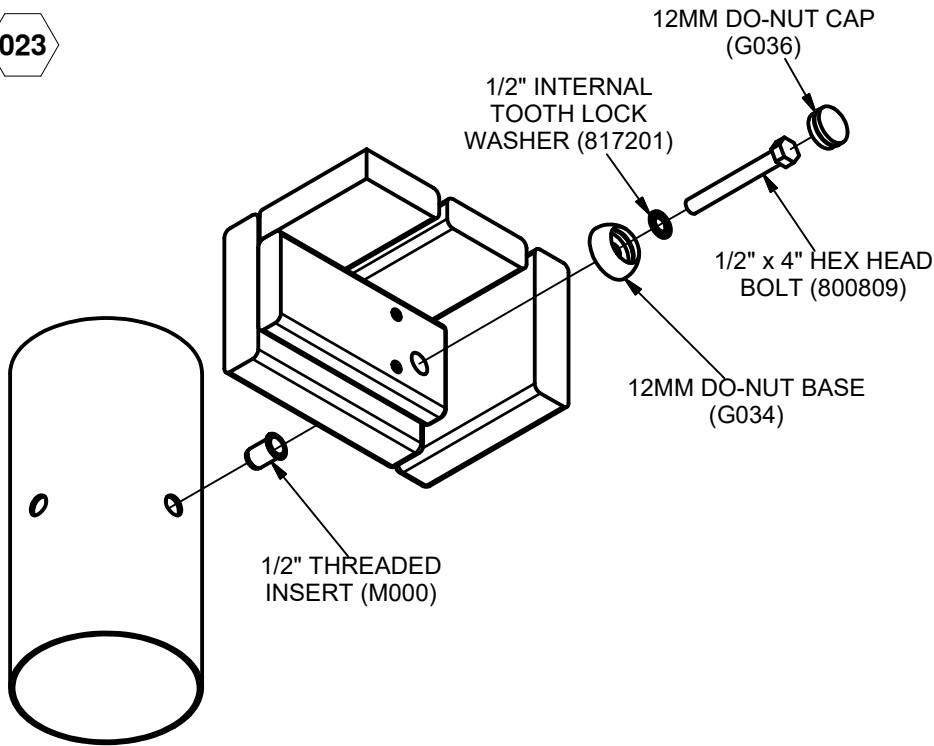
M03-009 SHOWN

BRICK OR EQUIVALENT

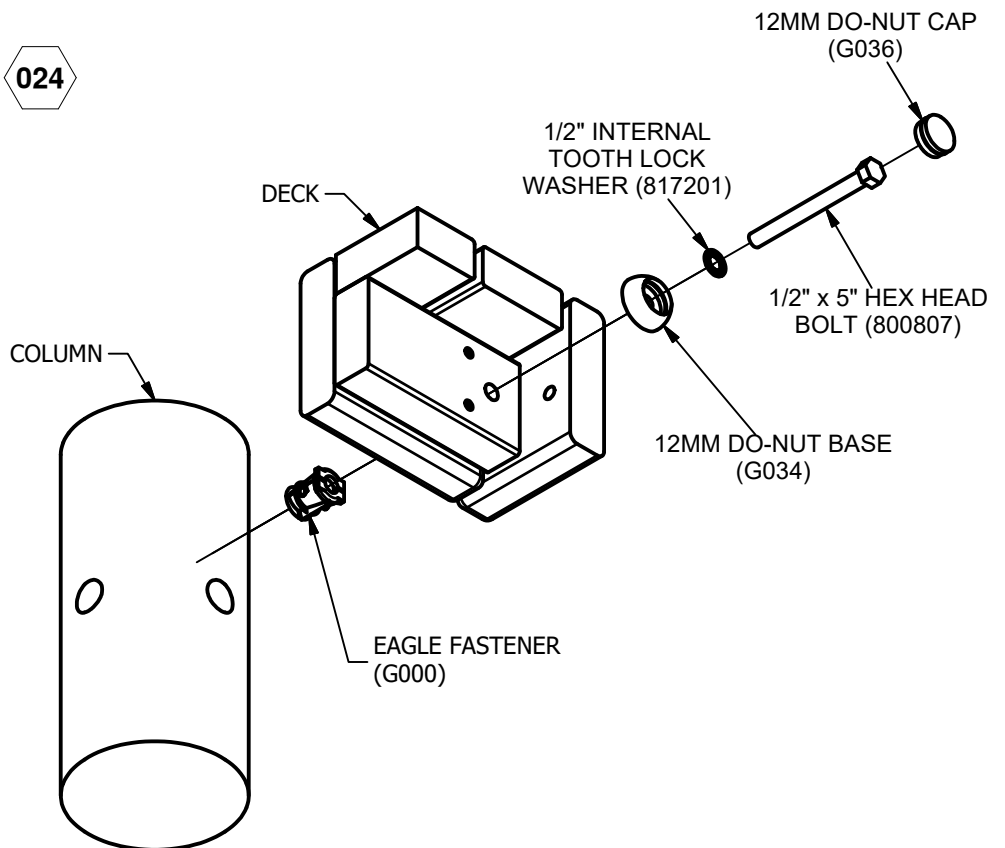


M03009 PLATFORM 9 BOARD - METAL Z03009 PLATFORM 9 BOARD - WOOD

023

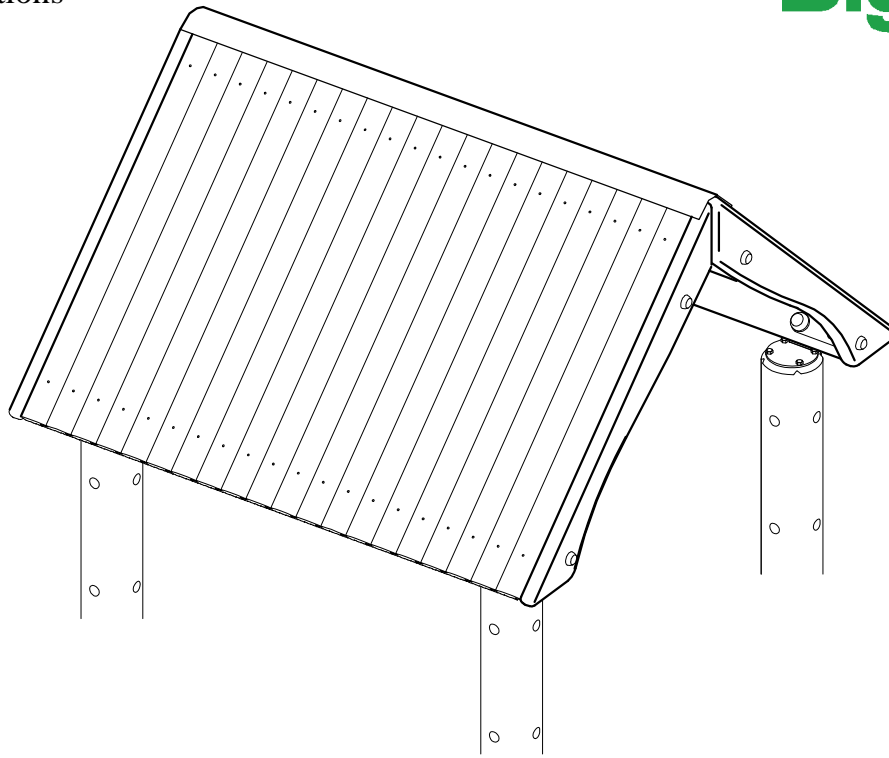


024



Playhouse Roof 58" - Lam

Z04-004, Z53-001
Installation Instructions

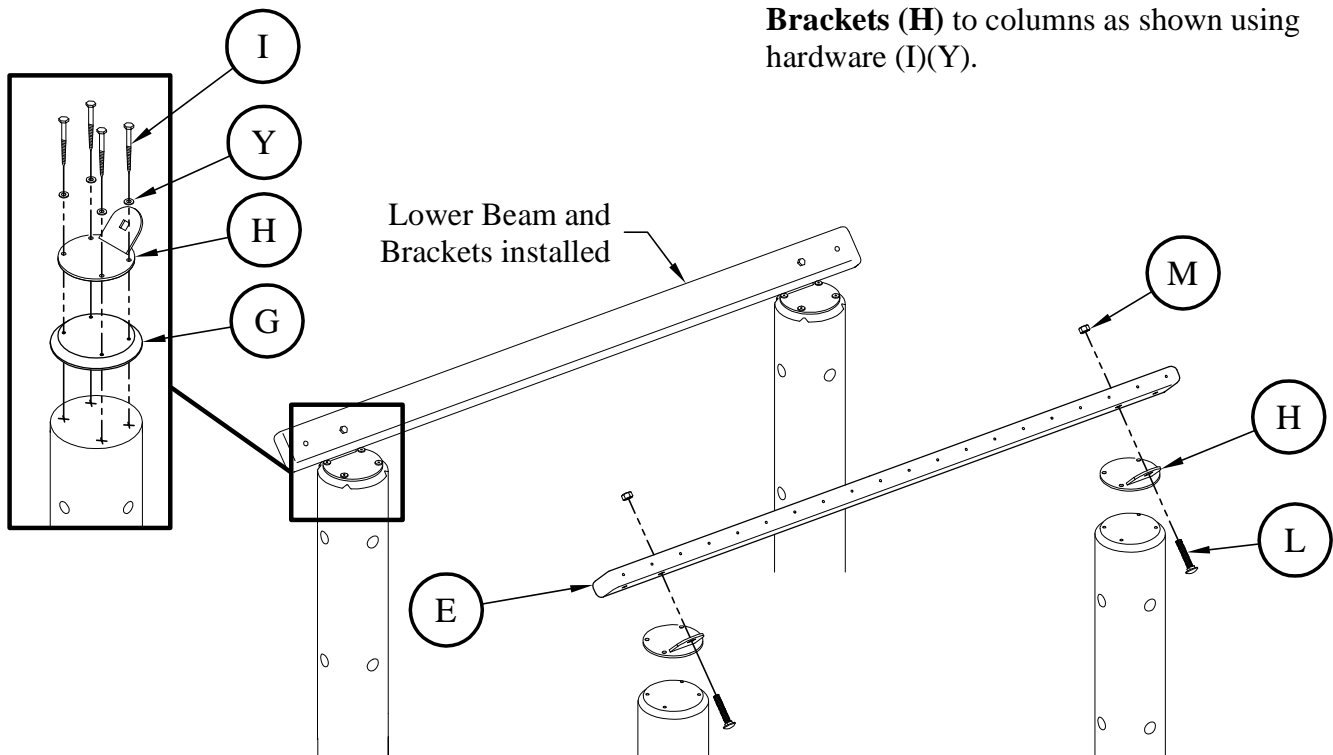


DET.	QTY.	PART#	DESCRIPTION	ICON (NOT TO SCALE)
A	1	401332	Playhouse Roof Ridge Cap -9 Board	
B	4	L226	Fascia Playhouse (9940)	
C	38	L229	Rafter Playhouse Plain (9866)	
D	2	L230	Rafter Playhouse Edge Plain (9872)	
E	2	L241	Beam Lower 58" (9570)	
F	2	L243	Beam Upper 58" (9580)	
G	4	Z600	Column End Fitting - Wood	
H	4	401352	Bracket, Roof Purlin	
	1	D282	Connector, Playhouse Roof	
I	16	800744	5/16" x 4" Torx Head Lag Screw	
J	24	817424	Washer Fender 3/8 x 1-1/4" OD SS	
K	80	815511	Wood Screw #10 x 3" Bugle Hd Sq Dr SS	
L	4	800429	Bolt Carriage 1/2 x 2-1/4" NC Pltd	
M	4	804355	Nut, Hex 1/2" - Lock	
N	12	G030_	Do-Nut Base (No Boss) 10mm	

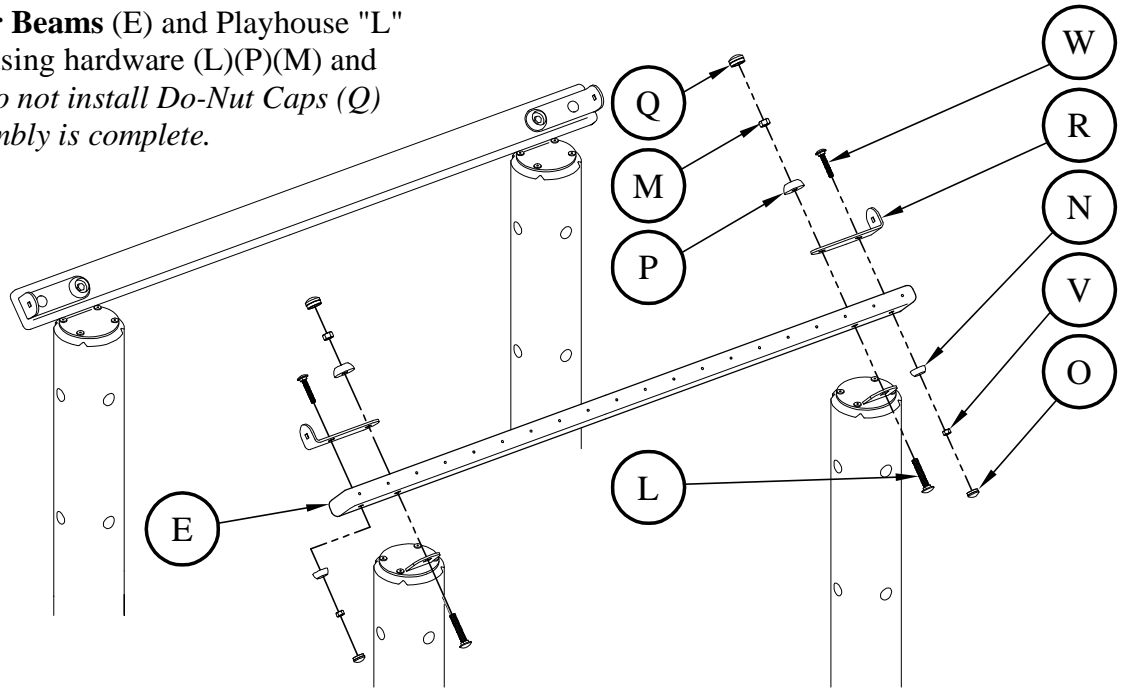
Continued

DET.	PART#	DESCRIPTION	QTY.	ICON (NOT TO SCALE)
O	12	G032_	Do-Nut Cap 10mm	
P	4	G034_	Do-Nut Base (No Boss) 12mm	
Q	4	G036_	Do-Nut Cap 12mm	
R	4	401462	Bracket, Playhouse "L" Hdg	
S	4	401463	Bracket, Playhouse 90D HDG	
T	4	401464	Bracket, Playhouse 90D Gusset, HDG	
U	12	810066	Sheet Metal Screw #14 x 1" Sq Dr Pn Hd	
V	20	804353	Nut Hex 3/8-16 2-Way Locknut NC PLTD	
W	20	800258	Bolt Carriage 3/8 x 2-1/4" Nc Pltd	
X	4	H577	Washer 3/8" Barbed Galvanized	
Y	16	817406	Flat Washer 5/16" W/1-1/8" OD SS	

1. Refer to your structure design for location of Playhouse Roof.
2. **Plumb and align columns.**
3. **Temporarily assemble Column End Fittings (G), Roof Purlin Brackets (H) and Lower Beams (E) as shown using hardware provided (M)(L).**
4. **With brackets centered on columns, drill 3/16" x 3-1/2" pilot holes through the exposed holes in Bracket.**
Note: It may be necessary to center Brackets individually on columns if column spacing is not exact at this time.
5. **Separate Lower Beam (E) from Brackets.**
6. **Drill remaining pilot holes and attach Column End Fittings (G), Roof Purlin Brackets (H) to columns as shown using hardware (I)(Y).**



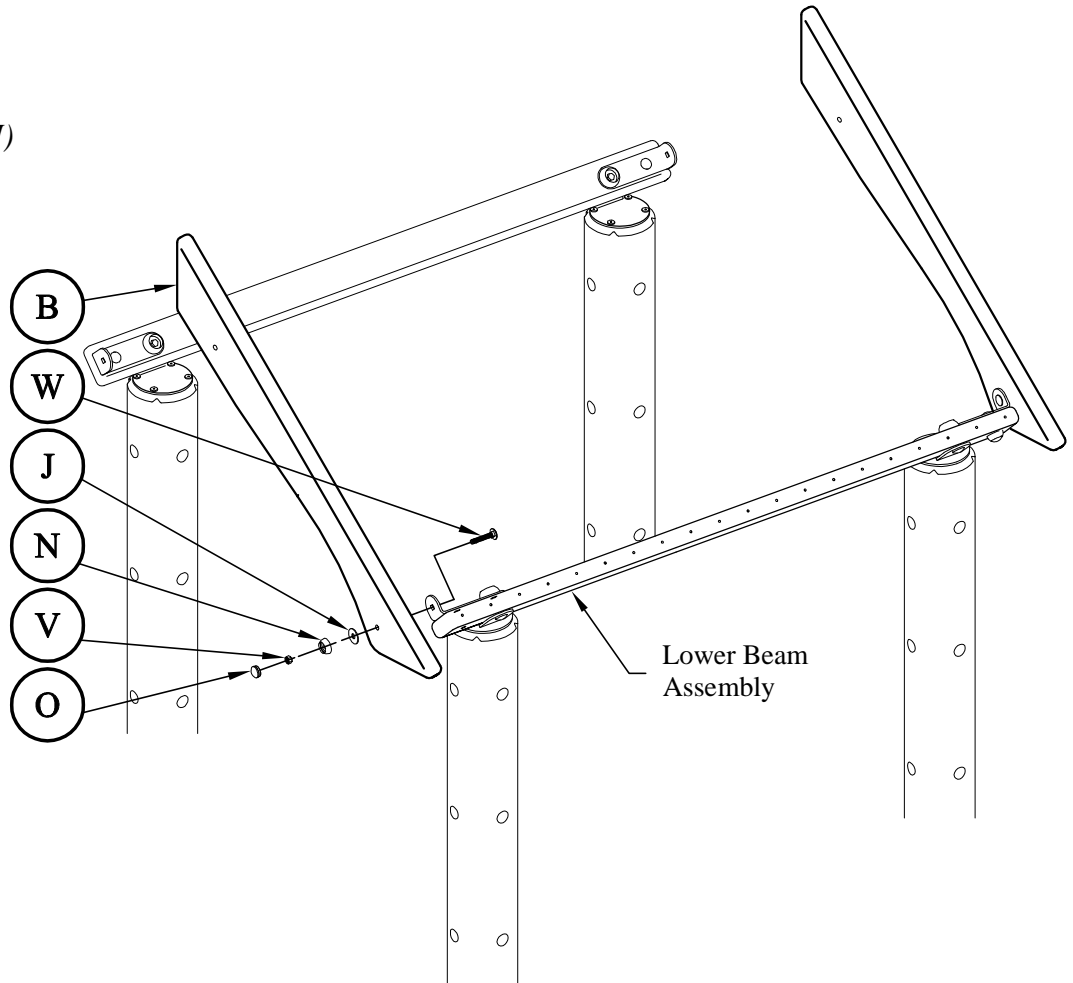
7. **Attach Lower Beams (E) and Playhouse "L"** Brackets (R) using hardware (L)(P)(M) and (W)(N)(V). *Do not install Do-Nut Caps (Q) (O) until assembly is complete.*



8. **Attach Facias (B) to Lower Beam assembly** using hardware (W)(J)(N)(V). *Do not completely tighten Hex Nut (V) or install Do-Nut Caps (O) until assembly is complete.*



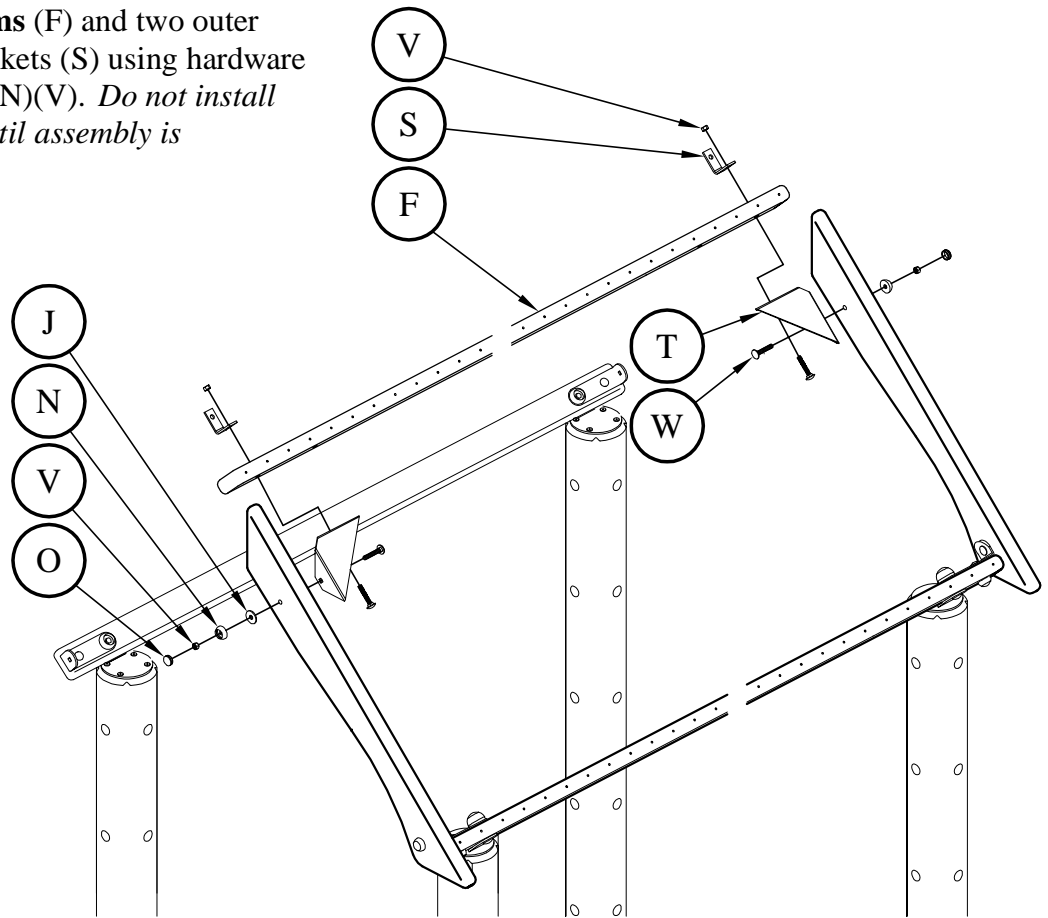
Use Fender Washers (J) under Do-Nut Base as needed for adjustment.



9. **Attach Upper Beams (F)** and two outer Playhouse 90D Brackets (S) using hardware as shown (T)(W)(J)(N)(V). *Do not install Do-Nut Caps (O) until assembly is complete.*

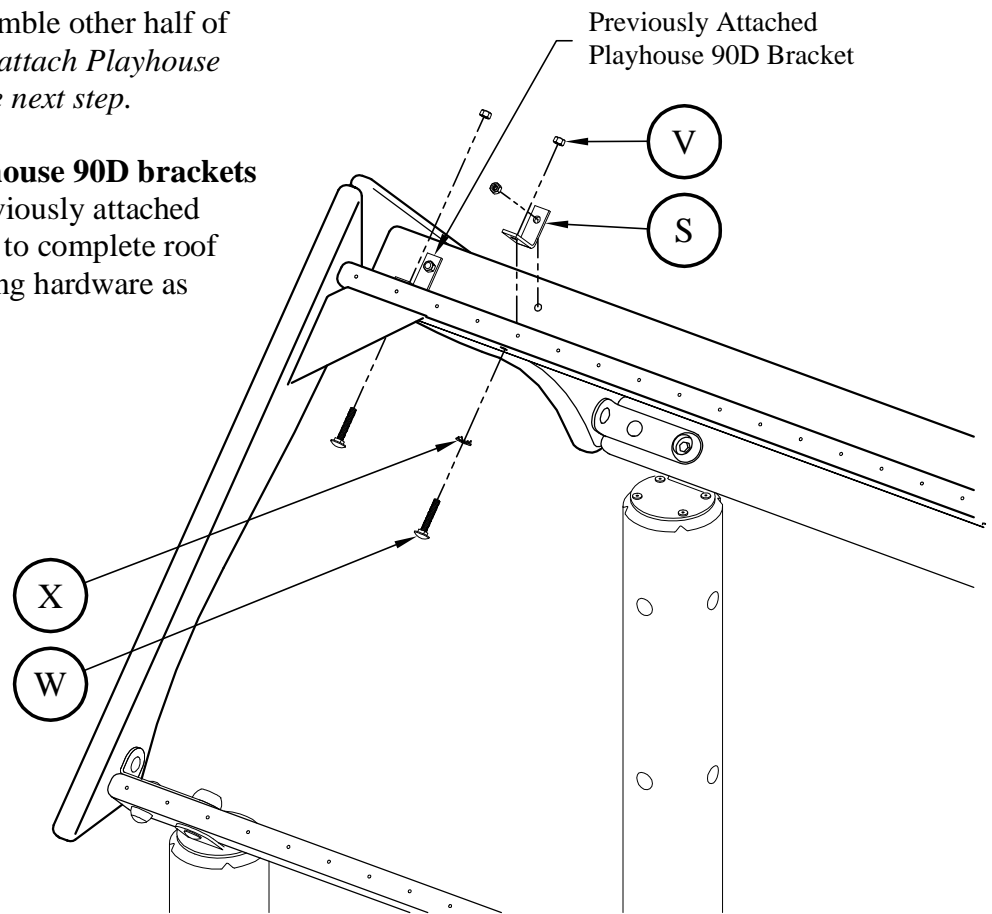


Use Fender Washers (J) under Do-Nut Bases as needed for adjustment.



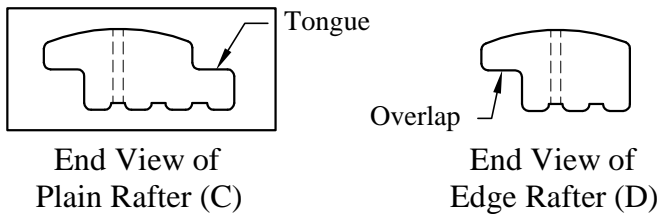
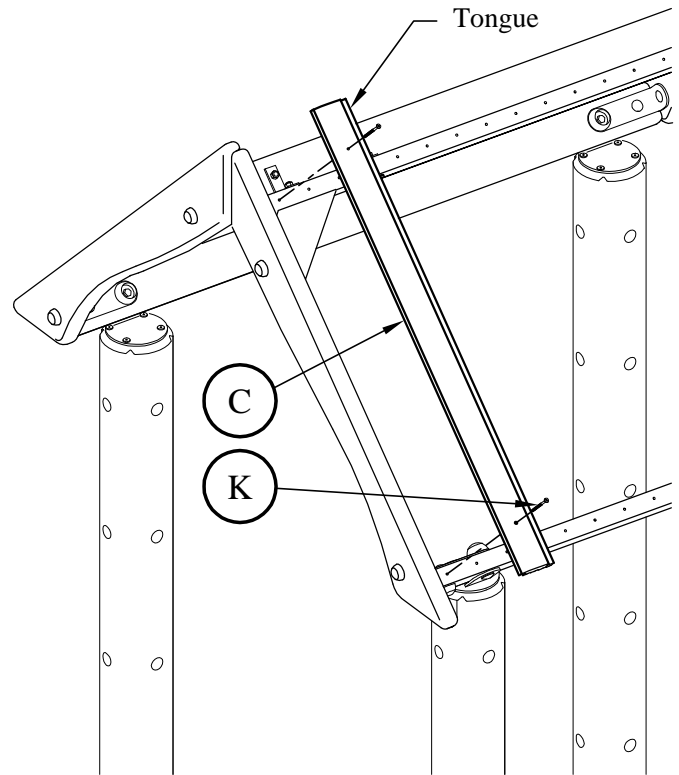
10. **Repeat steps 5-6** to assemble other half of roof framework. *Do not attach Playhouse 90D Bracket (S) until the next step.*

11. **Install remaining Playhouse 90D brackets (S)** and bolt through previously attached Playhouse 90D Brackets to complete roof framework assembly using hardware as shown (X)(W)(V).



12. **Attach Rafters (C)** to both sides of roof framework. Starting on the left, orient the first Rafter (C) with the tongue facing inward and attach by inserting two Wood Screws (K) through the rafter and into pilot holes in Upper and Lower Beams.

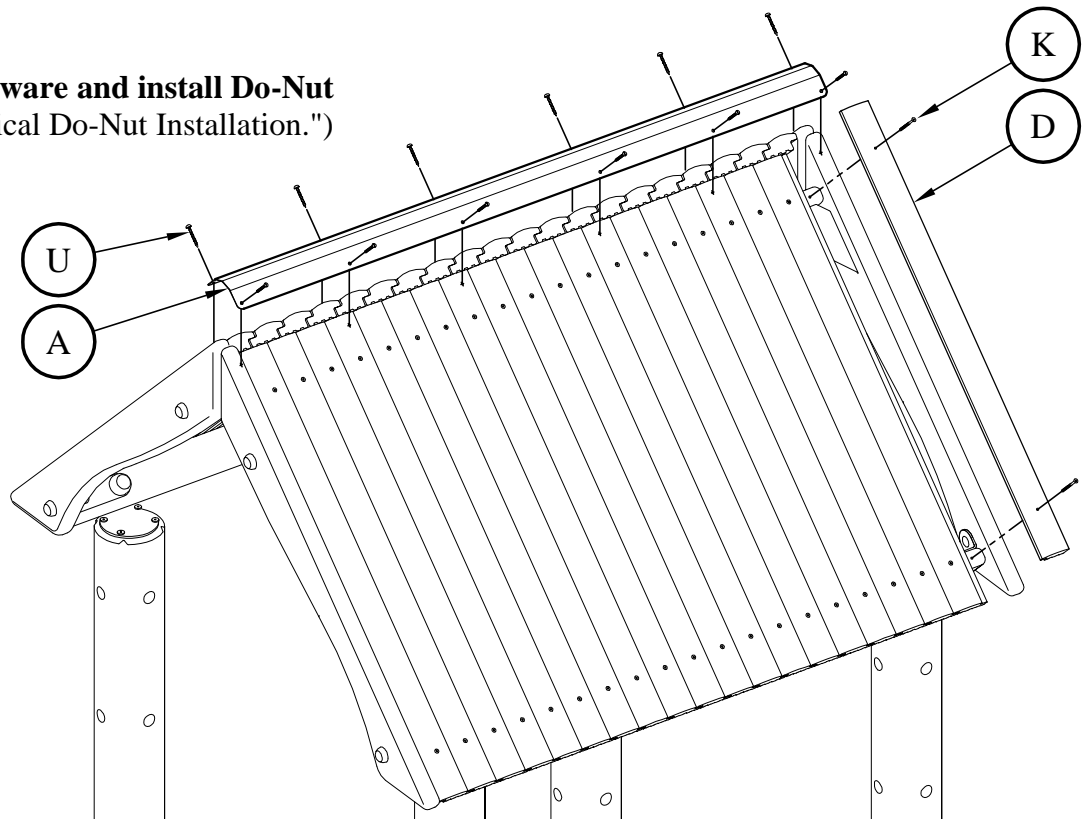
13. **Continue attaching Rafters (C)** by inserting two Wood Screws (K) through the rafter and into pilot holes in Upper and Lower Beams, with each rafter overlapping the tongue of the previously attached rafter. *Note: The last space will be too narrow for a Rafter so you must use an Edge Rafter (see next step.)*



14. **Attach Edge Rafters (D)** in the last position on each side of roof by inserting two Wood Screws (K) through rafter and into pilot holes in Upper and Lower Beams.

15. **Install Ridge Cap (A)** using Sheet Metal Screws (U).

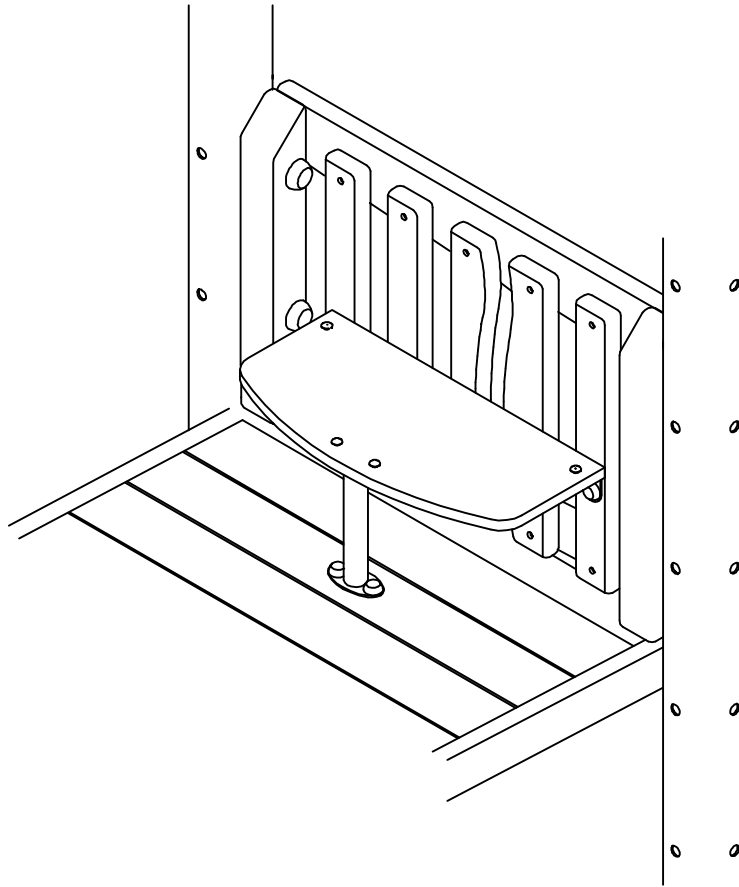
16. **Tighten all hardware and install Do-Nut Caps.** (See "Typical Do-Nut Installation.")



Bench

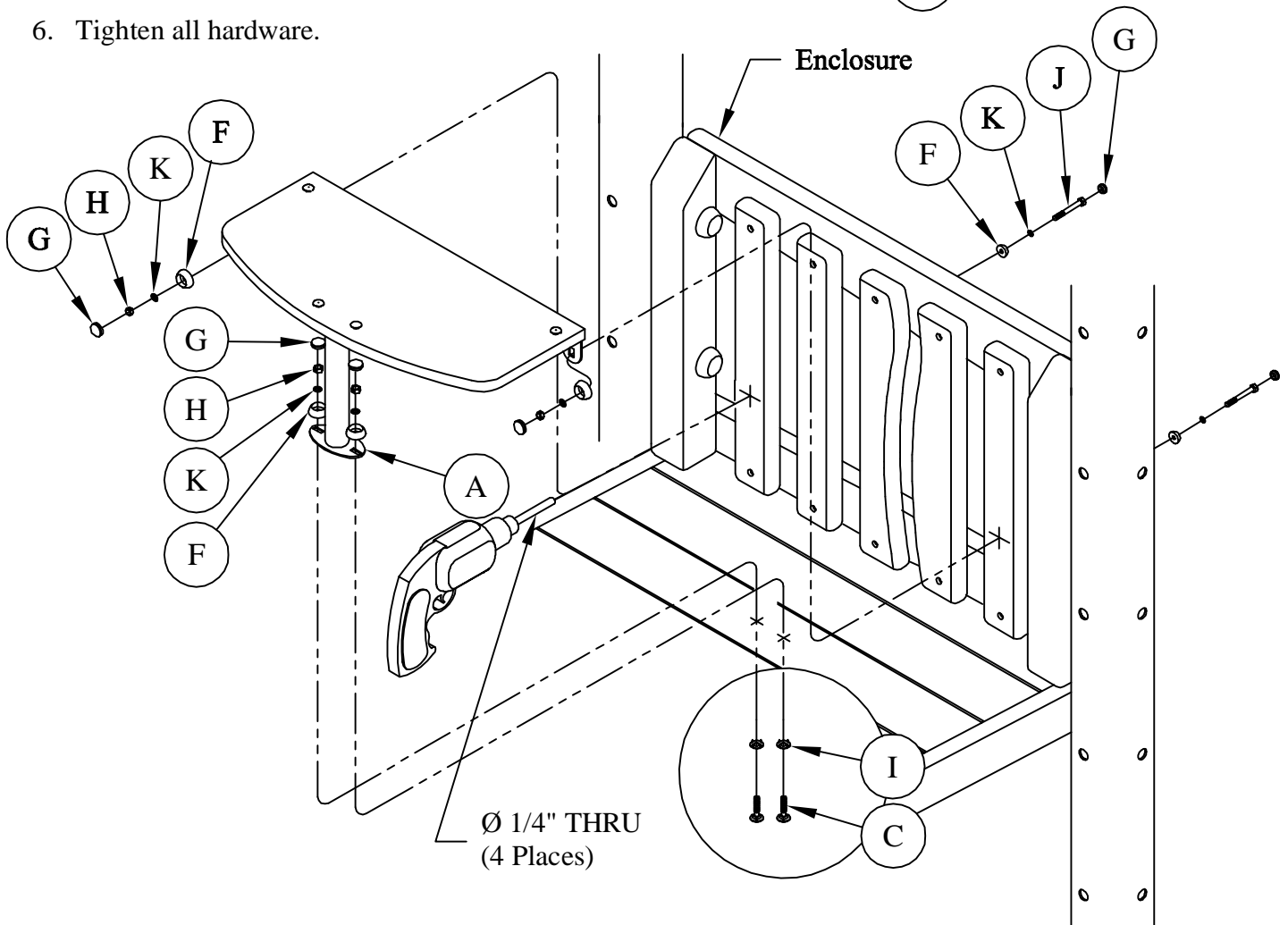
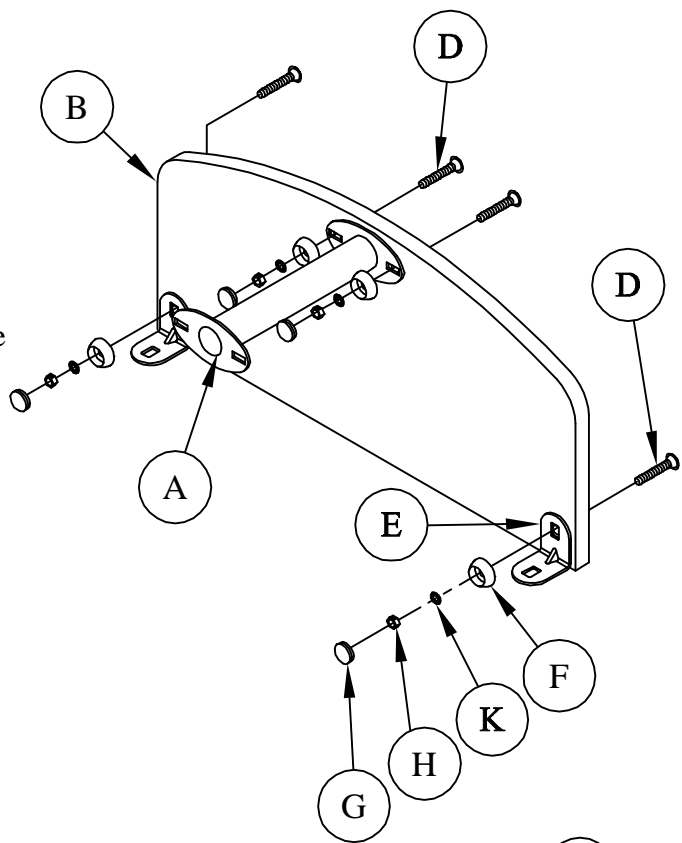
57-008
Installation Instructions

BigToys
A PLAYCORE Company



DET.	QTY.	PART#	DESCRIPTION	ICON (NOT TO SCALE)
A	1	402066	Leg EarlyWorks Bench	
B	1	L518	Plate, Bench	
	1	D981_	Connector, EarlyWork Bench	
C	2	800258	Bolt Carriage 3/8 x 2-1/4" Nc Pltd	
D	4	811053	Cap Screw 3/8-16 x 1-1/2" Btn Hd SS	
E	2	402288	Bracket, EarlyWorks 90D	
F	8	G030_	Do-Nut Base (No Boss) 10mm	
G	8	G032_	Do-Nut Cap 10mm	
H	8	804353	Nut Hex 3/8-16 2-Way Locknut NC PLTD	
I	4	H577	Washer 3/8" Barbed Galvanized	
J	2	801009	Bolt Hex 3/8-16 x 2-1/2" Grd 2 NC Pltd	
K	10	817200	Lock Washer, 3/8" Int Tooth Type A PLTD	

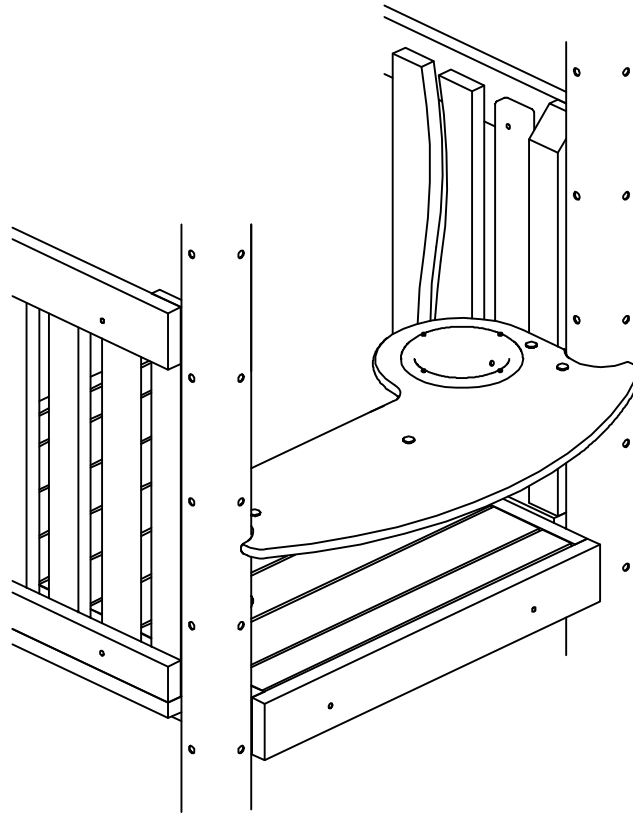
1. Refer to the design layout for the location of the Bench.
(See "Typical Do-Nut Installation.")
2. **Attach Bench Leg (A) and Bracket (E) to Bench Plate (B) using hardware (D)(F)(H)(G) as shown.**
(See "Typical Do-Nut Installation.")
3. Place the assembled unit against the enclosure and on top of the platform at the location specified on your design layout, and mark drilling locations on the platform through the holes on Bench Leg (A) and on enclosure through holes on Bracket (F).
4. **Drill $\text{\O} \frac{7}{16}$ " through holes** at the marked locations.
5. **Attach the assembled unit** to platform and enclosure using hardware (C)(I)(F)(H)(G)(J)(K).
6. Tighten all hardware.
























Play Counter

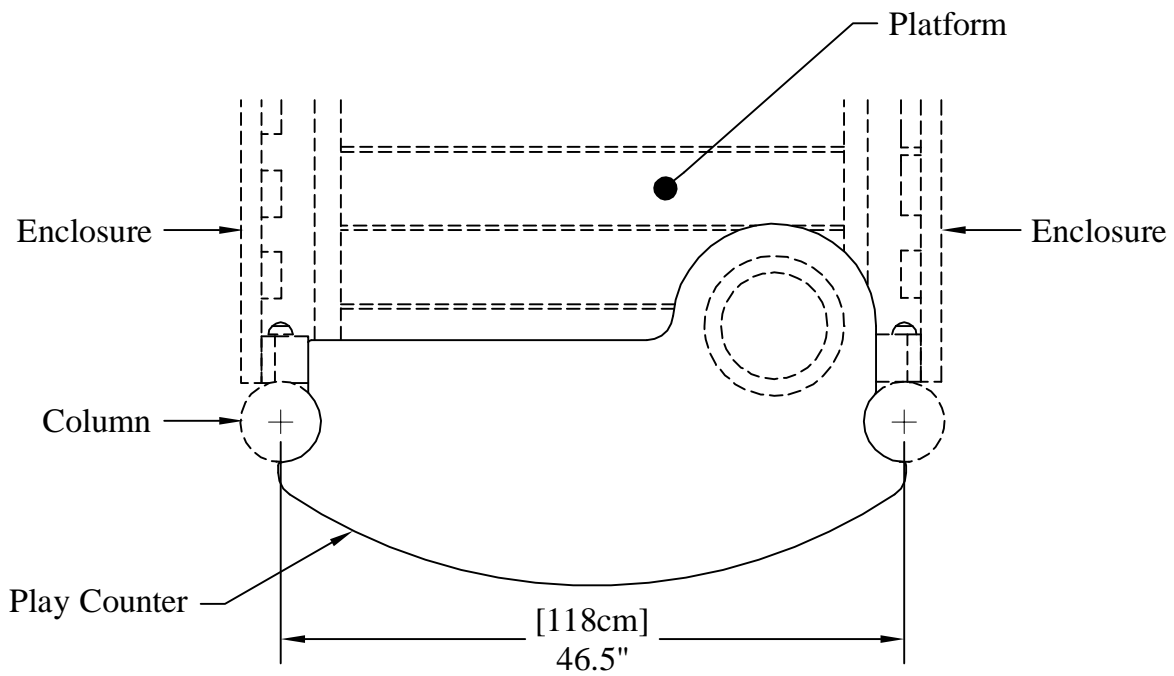
57-010
Installation Instructions

BigToys
A PLAYCORE Company

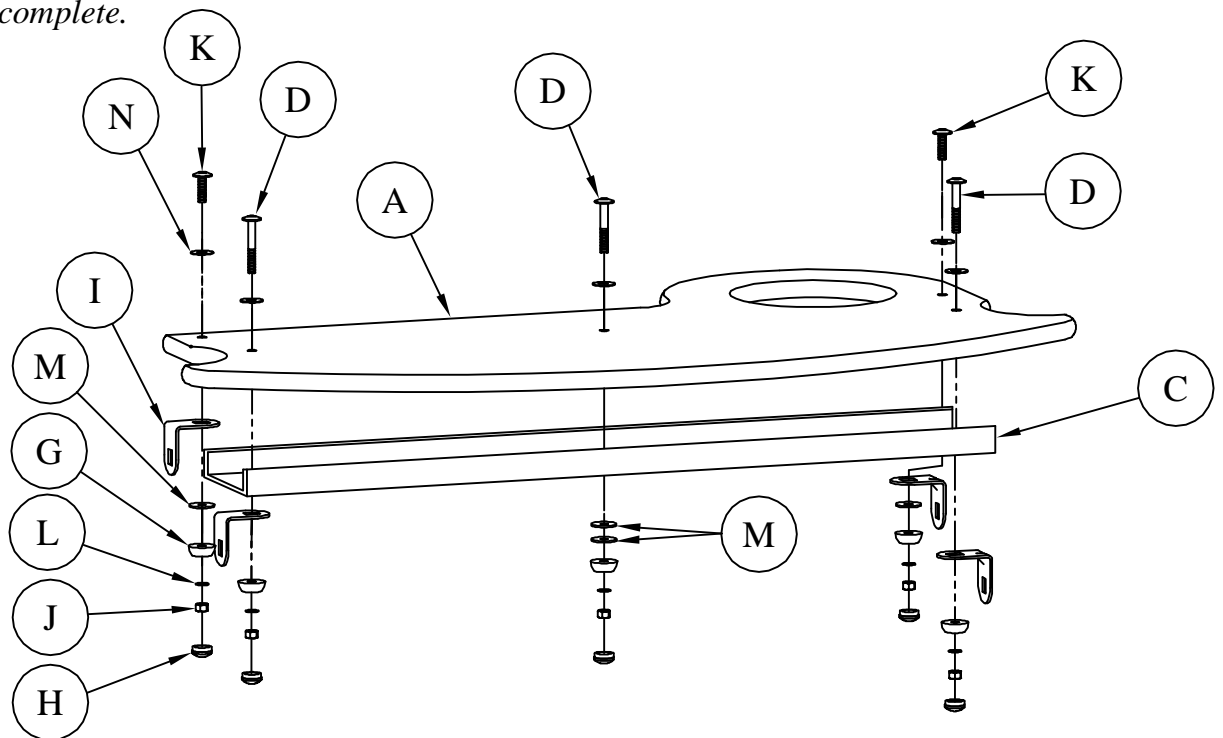


DET.	QTY.	PART#	DESCRIPTION	ICON (NOT TO SCALE)	
A	1	L513	Plate, Play Counter		
B	1	401381	Bowl with 4 Holes		
C	1	402079	Play Counter Support Beam - EW		
	1	D980_	Connector, Play Counter		
D	3	811057	Cap Screw 3/8-16 x 2-1/2" Btn Hd SS		
E	4	815517	Wood Screw #8 x 3/4" Phil DR PN HD SS		
F	4	800725	Screw Lag 3/8 x 2" Pltd		
G	9	G030_	Do-Nut Base (No Boss) 10mm		
H	9	G032_	Do-Nut Cap 10mm		
I	4	402288	Bracket, EarlyWorks 90D		
J	5	804353	Nut Hex 3/8-16 2-Way Locknut NC PLTD		
K	2	811053	Cap Screw 3/8-16 x 1-1/2" Btn Hd SS		
L	9	817200	Lock Washer, 3/8" Int Tooth Type A PLTD		
M	4	817424	Washer Fender 3/8 x 1-1/2" OD Pltd		
N	5	817410	3/8" Flat Washer		

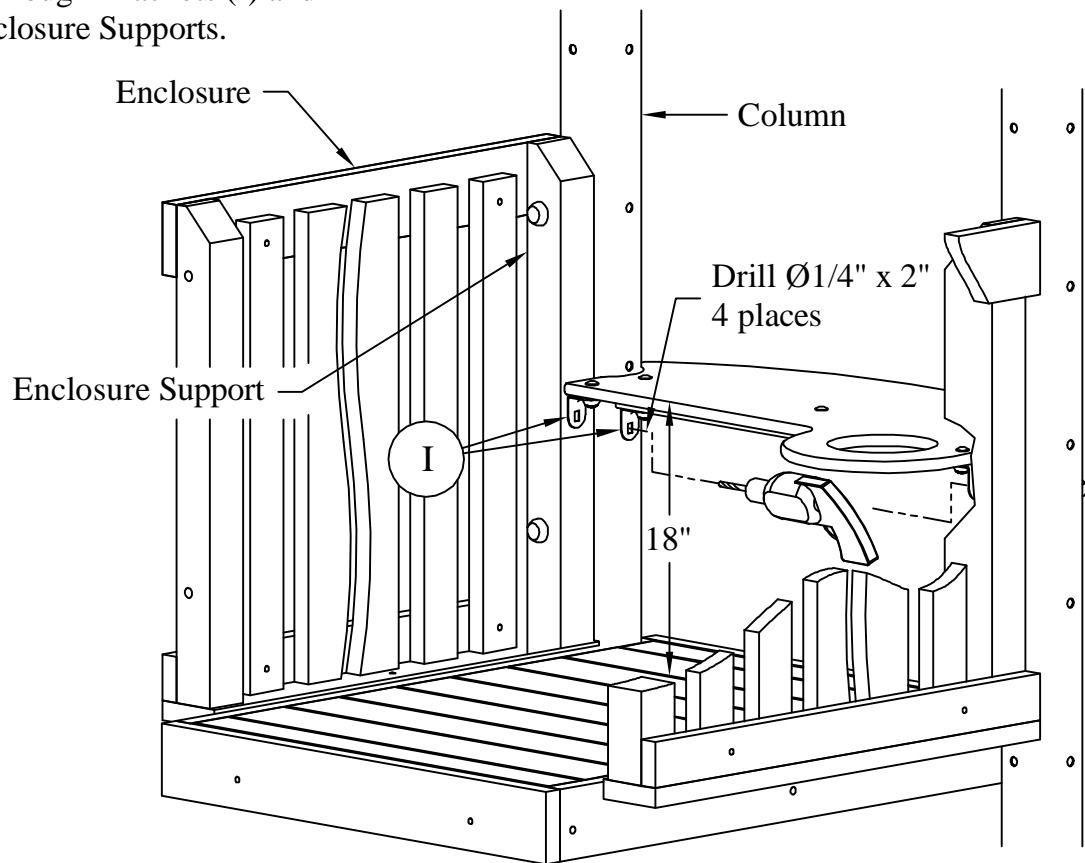
1. Refer to your structure design for location of the Play Counter.
2. Platform, columns, and enclosures must be installed prior to installing Play Counter.



3. **Attach Brackets (I) and Support (C) to Play Counter (A) using hardware (D)(K)(L)(G)(J)(H)(M).**
Note: Do not install Do-Nut Caps (H) until final step is complete.

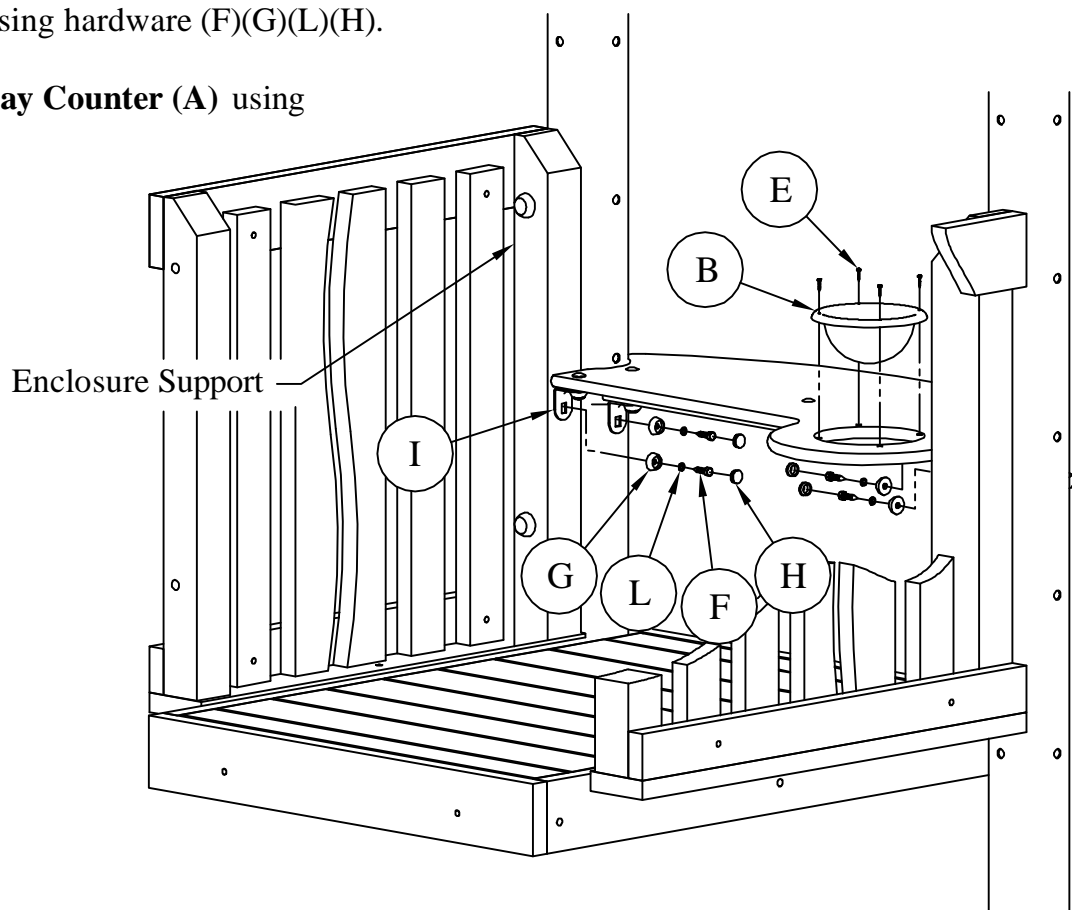


4. **With top of Play Counter level and 18" above the top of Platform, drill four Ø1/4" x 2" deep pilot holes through Brackets (I) and into Columns and Enclosure Supports.**



5. **Secure Brackets (I) using hardware (F)(G)(L)(H).**

6. **Attach Bowl (B) to Play Counter (A) using hardware (E).**



M54017 SHORT MEDIUM ENCLOSURE - METAL 54017 SHORT MEDIUM ENCLOSURE - WOOD

Parts List			
DESCRIPTION	M54017	54017	PART NUMBER
EAGLE FASTENER	0	4	G000
1/2" THREADED INSERT	4	0	M000
ENCLOSURE M-25-3/4"	1	0	M715X
ENCLOSURE W-25 3/4"	0	1	L715X
BALUSTER 23-3/4" E - M	2	0	401658
BALUSTER 23-3/4" - W	0	2	L800
HARDWARE COMPLETE	1	0	E725
HARDWARE COMPLETE	0	1	D725
10MM DO-NUT BASE	8	8	G030
10MM DO-NUT CAP	8	8	G032
12MM DO-NUT BASE	4	4	G034
12MM DO-NUT CAP	4	4	G036
3/8" x 3 3/4" HEX HEAD BOLT	4	4	801526
3/8" INTERNAL TOOTH LOCKWASHER	8	8	817200
3/8" LOCK NUT	4	4	804353
1/2" x 4 1/2" HEX HEAD BOLT	4	0	801217
1/2" x 5 1/2" HEX HEAD BOLT	0	4	801221
1/2" INTERNAL TOOTH LOCK WASHER	4	4	817201

Unless Otherwise Specified, All Units of Measure are Each

Items listed below Hardware Complete line are included with Hardware Complete Number

Warning: During Installation, Hardware And Small Parts Are Choking Hazards For Young Children. Store Unused Parts Appropriately Until Assembly Is Completed. Once Assembly Is Completed, Remove Any Unused Parts From The Play Environment And Dispose/Save Them In A Secure Location. Any bolt end protruding more than two full threads beyond the face of the nut causes risk of clothing entanglement. Promptly cut-off flush, file smooth, and treat to prevent corrosion.

Note: Peen Tee-Nuts and Flatwashers to match radius of pipe after assembly is complete.

Note: Loctite (supplied by others) should be used on any non-patch hardware.

INSTALLATION INSTRUCTIONS:

1. Determine the location of the Short Medium Enclosure.
2. Install 1/2" Threaded Insert or Eagle Fasteners in columns at proper locations. (Refer to Installation Prolog for typical Threaded Insert or Eagle Fastener location.)
3. Attach Enclosure to column using 12mm Do-Nut Base, 1/2" Internal Tooth Lock Washer, 1/2" x 4 1/2" Hex Head Bolt, and 12mm Do-Nut Cap. See Detail 370.
4. **IMPORTANT:** If installing the wood version attach Enclosure to column using 12mm Do-Nut Base, 1/2" Internal Tooth Lock Washer, 1/2" x 5 1/2" Hex Head Bolt, and 12mm Do-Nut Cap. See Detail 371.
5. Attach Balister to Enclosure using 10mm Do-Nut Base, 1/2" Internal Tooth Lock Washer, 3/8" x 3 3/4" Hex Head Bolt, 3/8" Lock Nut, and 10mm Do-Nut Cap. See Detail 341.

M54017 SHORT MEDIUM ENCLOSURE - METAL 54017 SHORT MEDIUM ENCLOSURE - WOOD

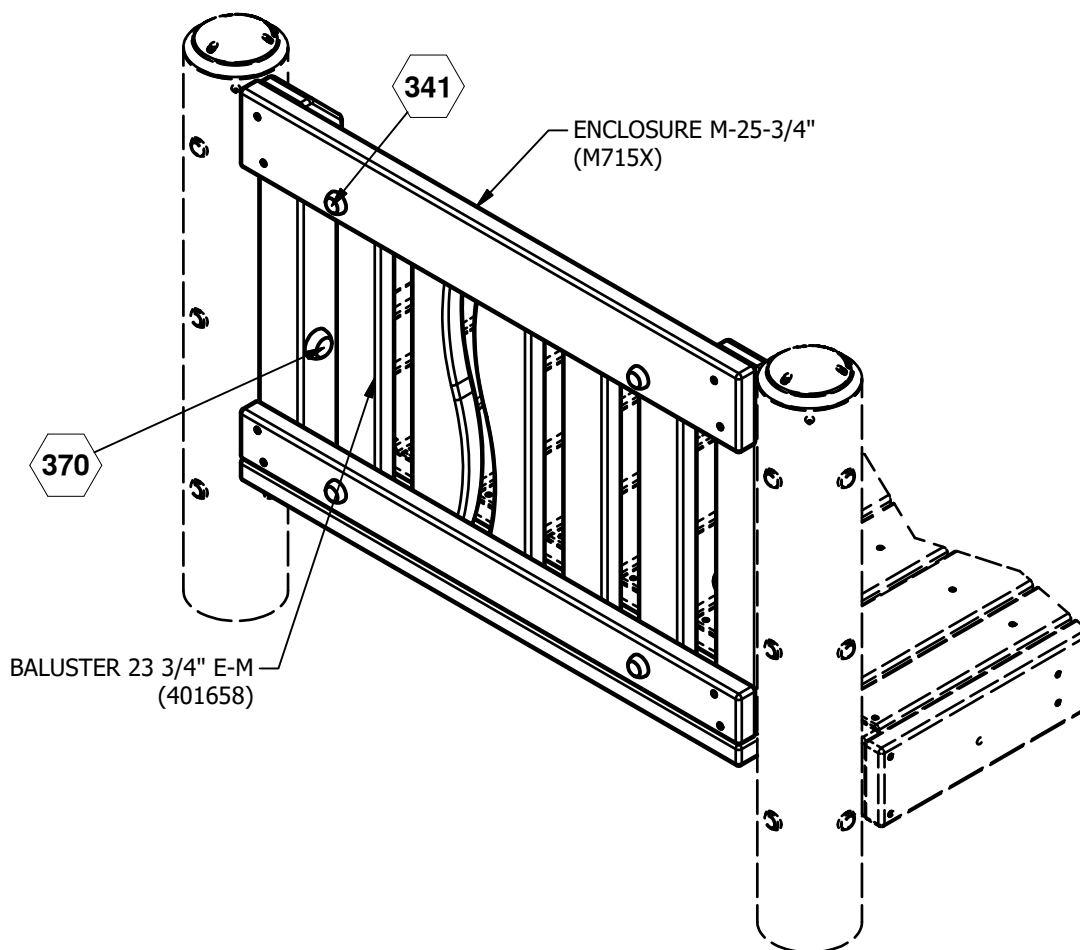
6. Plumb and level the entire assembly and tighten all fasteners.

IMPORTANT! Avoid creating any gaps between the components which fall between 3-1/2" and 9". It has been shown that such gaps create entrapment points which can trap a child and cause injury.

7. When the structure is finished and satisfactory, eliminate sharp edges (burring) on installed hardware like bolts, nuts, etc. Install resilient surfacing material within the use zone of play structure in accordance with ASTM specifications F1292 appropriate for the fall height of each structure. Refer to the safety guidelines.

MAINTENANCE PROCEDURE:

Periodically check hardware for tightness, and tighten as necessary. Always check all parts for breakage or wear, and immediately put equipment out of service until any faulty parts found are repaired or replaced. Also Check all metal parts for rust, paint loss and touch-up if necessary with paint. Check for welded areas and verify integrity. Check periodically resilient surfacing for appropriate depth and remove extraneous materials that could cause injury, infection, or disease. Maintain detailed installation, inspection, maintenance, and repair records for each public-use playground equipment.



 = INSTALLATION DETAIL

Issued/Revised: 10/16/2018

FINISHED ASSEMBLY
M54017 SHOWN

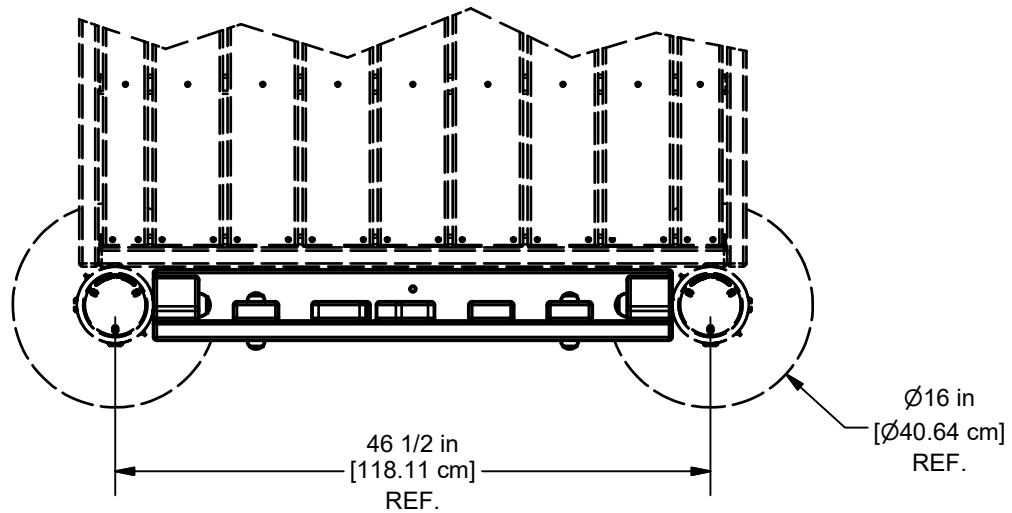
BigToys[®]

A PLAYCORE Company

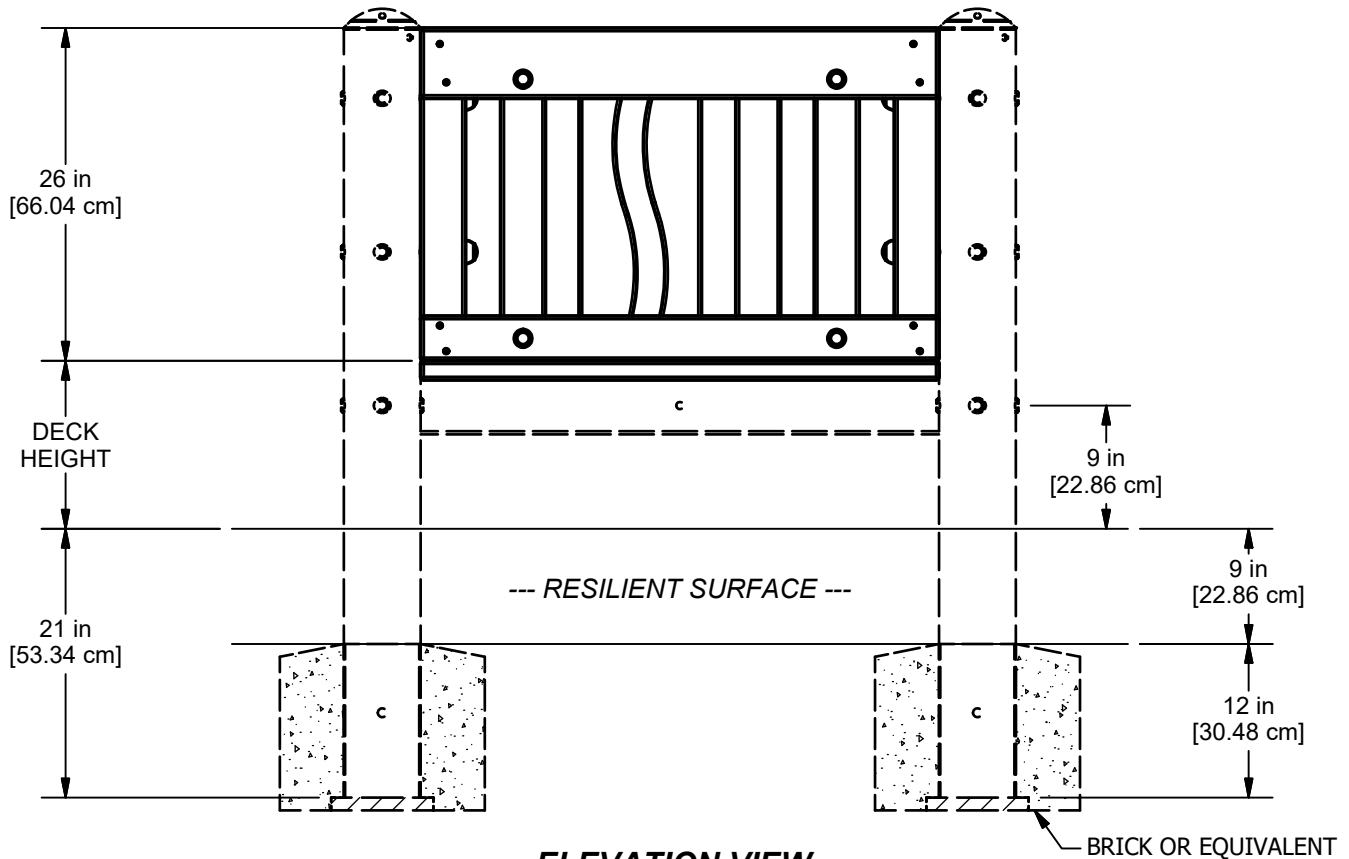
COMPONENTS SHOWN IN
HIDDEN LINES ARE SOLD SEPARATELY

SHEET 2 OF 4

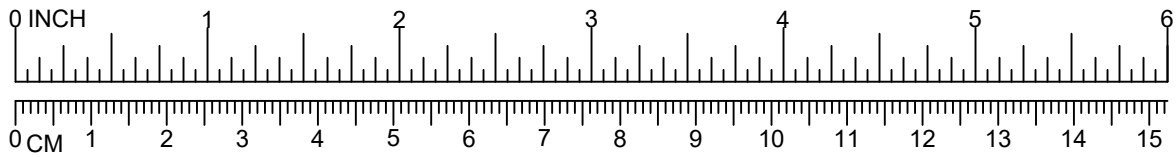
M54017 SHORT MEDIUM ENCLOSURE - METAL
54017 SHORT MEDIUM ENCLOSURE - WOOD



PLAN VIEW



ELEVATION VIEW
M54017 SHOWN



M54017 SHORT MEDIUM ENCLOSURE - METAL

54017 SHORT MEDIUM ENCLOSURE - WOOD

