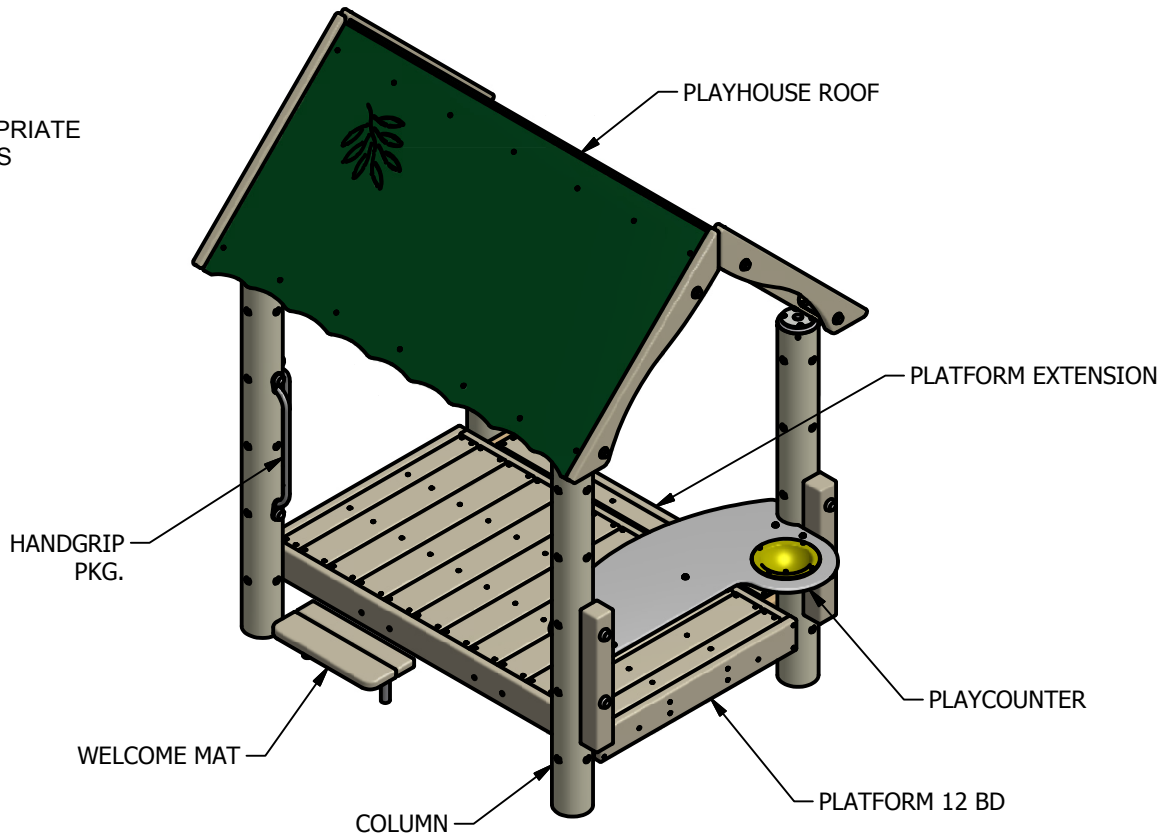


# MEC016 BREEZEWAY PLAYHOUSE GREEN

AGE APPROPRIATE  
2-5 YRS



Parts List		
DESCRIPTION	QTY	PART NUMBER
COLUMN, 7" ALUM - ROOF	4	A51009
PLATFORM EXTENSION 12 BD	1	M03002
PLATFORM 12 BD	1	M03012
24" HANDGRIP PKG	3	M59010
WELCOME MAT - METAL	1	M11026
PLAY COUNTER	1	M57011
PLAYHOUSE ROOF	1	M04010
EARLYWORKS ASSY PKG METAL	1	M59011

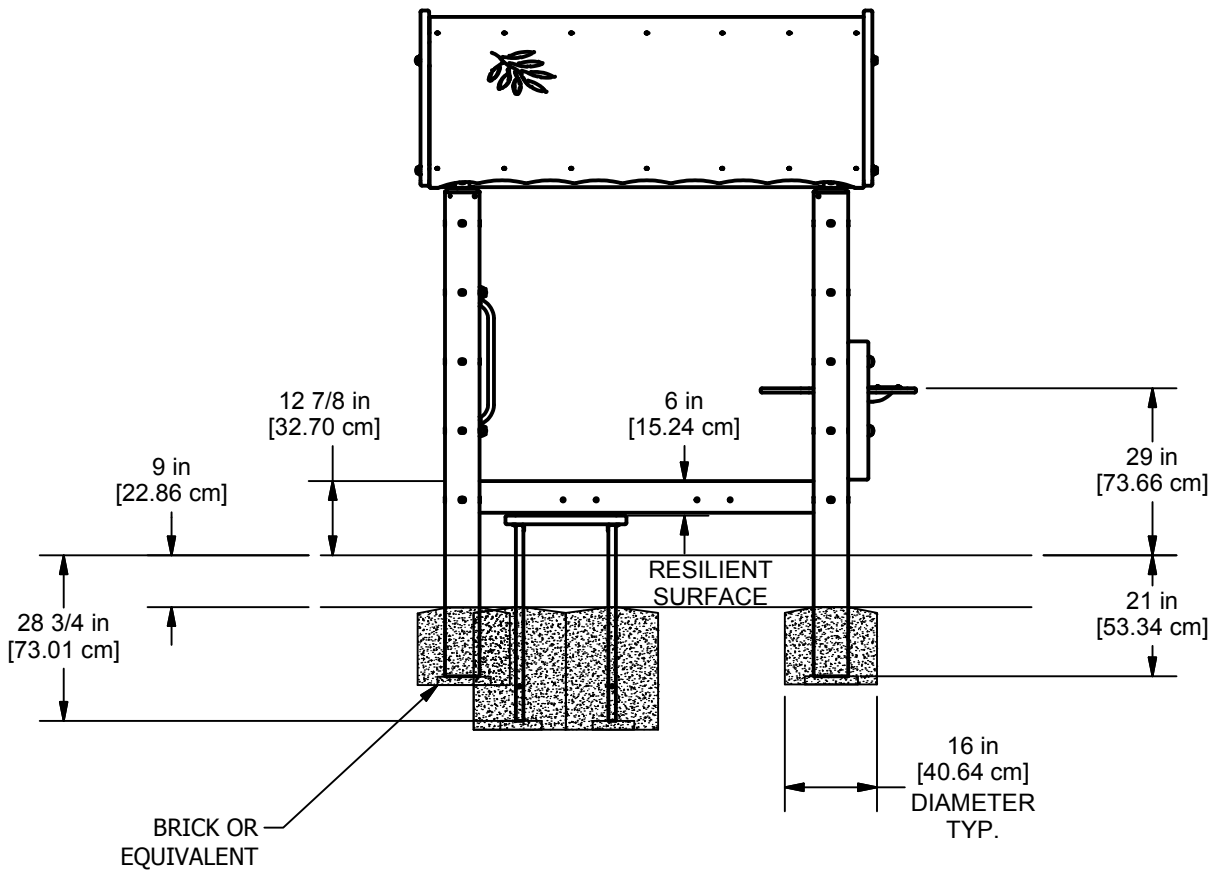
Unless Otherwise Specified, All Units of Measure are Each  
Items listed below Hardware Complete line are included with Hardware Complete Number

**Warning: During Installation, Hardware And Small Parts Are Choking Hazards For Young Children. Store Unused Parts Appropriately Until Assembly Is Completed. Once Assembly Is Completed, Remove Any Unused Parts From The Play Environment And Dispose/Save Them In A Secure Location. Any bolt end protruding more than two full threads beyond the face of the nut causes risk of clothing entanglement. Promptly cut-off flush, file smooth, and treat to prevent corrosion.**

**Note: Peen Tee-Nuts and Flatwashers to match radius of pipe after assembly is complete.**

**Note: Loctite (supplied by others) should be used on any non-patch hardware.**

# MEC016 BREEZEWAY PLAYHOUSE GREEN

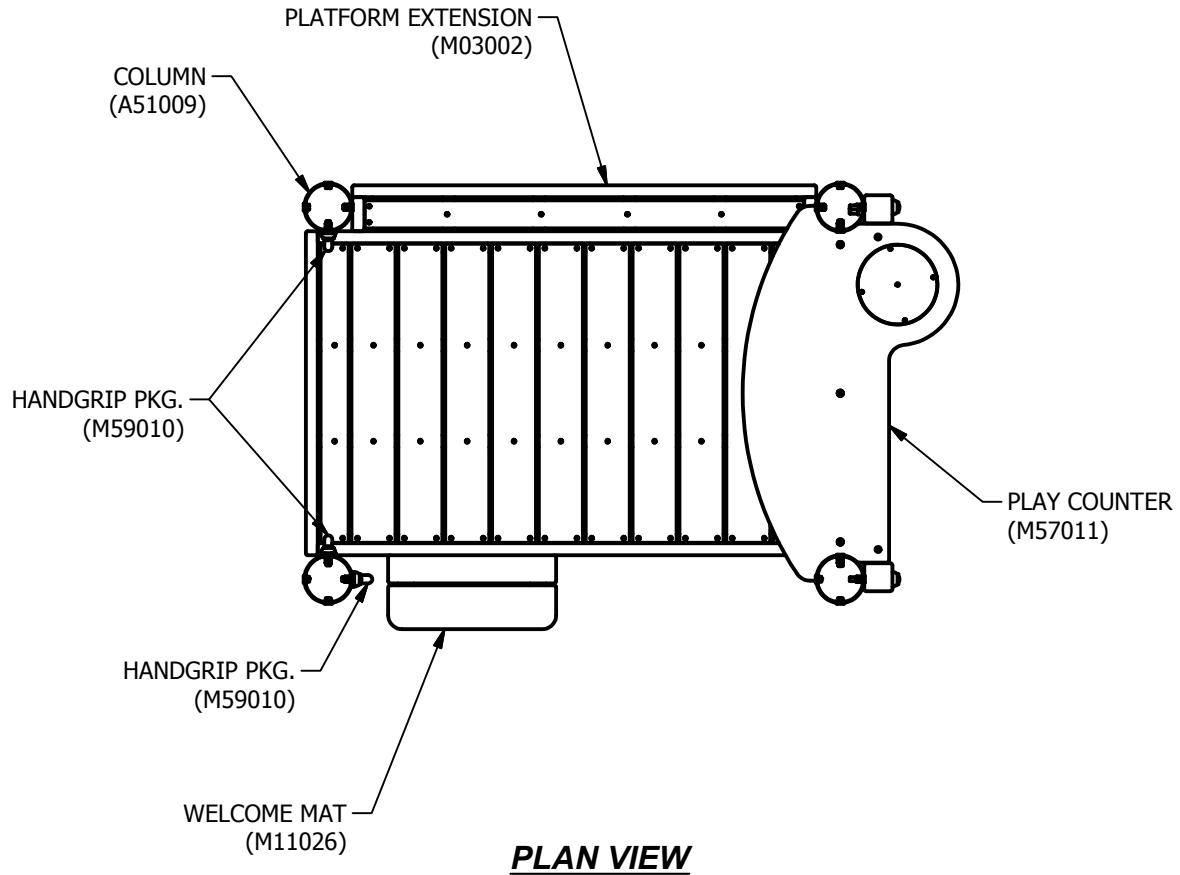


**ELEVATION VIEW**

**CONCRETE REQUIRED**

.54 CUBIC YARDS  
.42 [CUBIC METERS]

MEC016 BREEZEWAY PLAYHOUSE GREEN



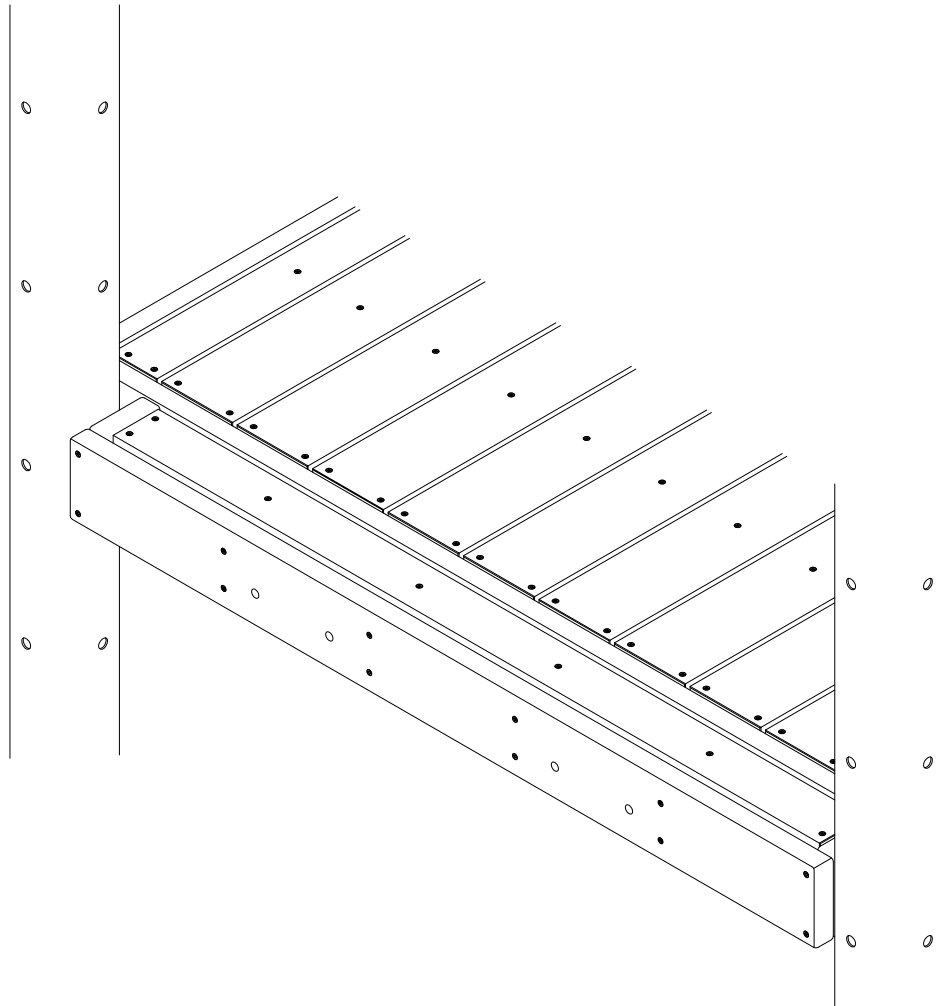
# Platform Extension, 12-Board - Metal

M03-002

Installation Instructions

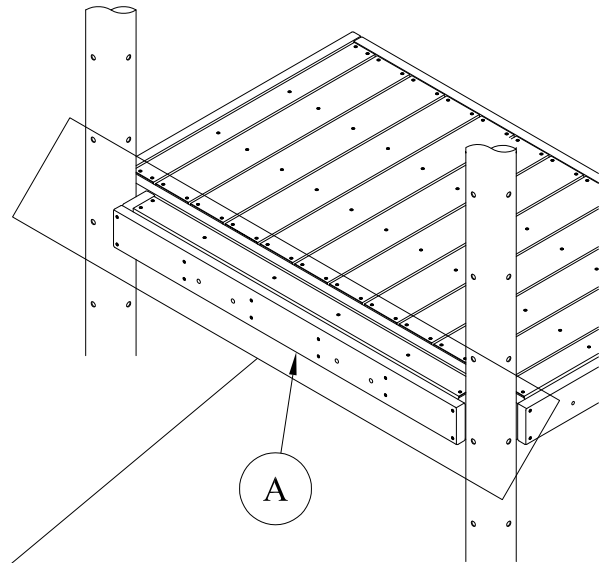
**BigToys**<sup>®</sup>

A PLAYCORE Company

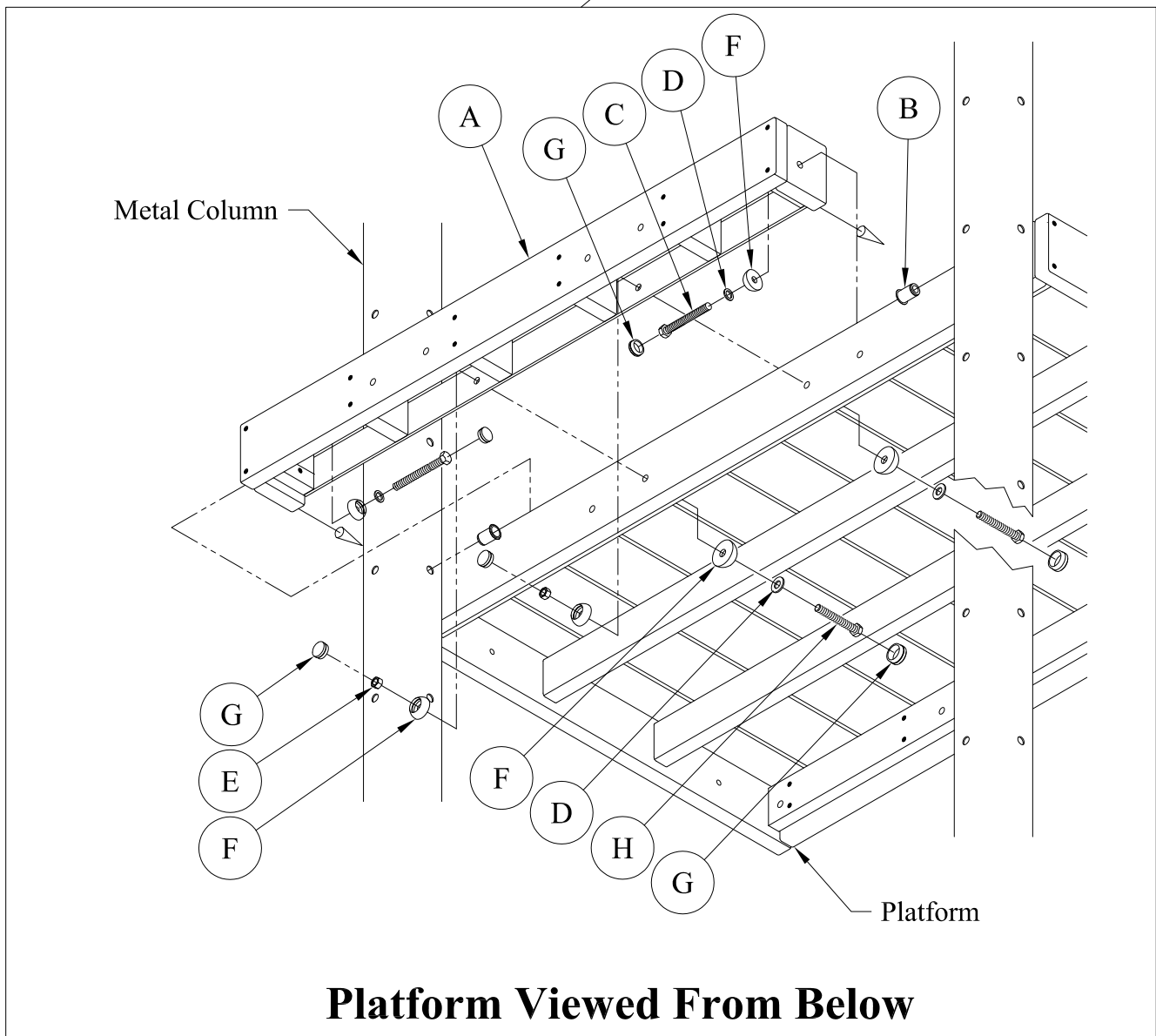


DET.	QTY.	PART#	DESCRIPTION	ICON (NOT TO SCALE)
A	1	M404	Platform Extension, 12-Board	
	1	E496_	Connector, Platform Ext 12 Bd.	
B	2	M000	Threaded Insert 1/2"	
C	2	800809	Bolt, 1/2 x 4" NC Pltd - Full Thread	
D	4	817201	Lock Washer, 1/2" Int Tooth Type A PLTD	
E	2	804355	Nut, Hex 1/2" - Lock	
F	6	G034GY	Do-Nut Base (No Boss) 12mm - Putty	
G	6	G036GY	Do-Nut Cap 12mm - Putty	
H	2	801256	Bolt Tap 1/2-13 x 3-1/2" NC Pltd	

1. Refer to your structure design for the location of the 12-Board Platform Extension.
2. **Install the Threaded Inserts (B)** to the metal columns as shown.  
(See "Typical Threaded Insert Installation").
3. **Orient and attach the Platform Extension (A)** to the platform and metal columns using hardware (C)(D)(F)(E)(G) as shown.

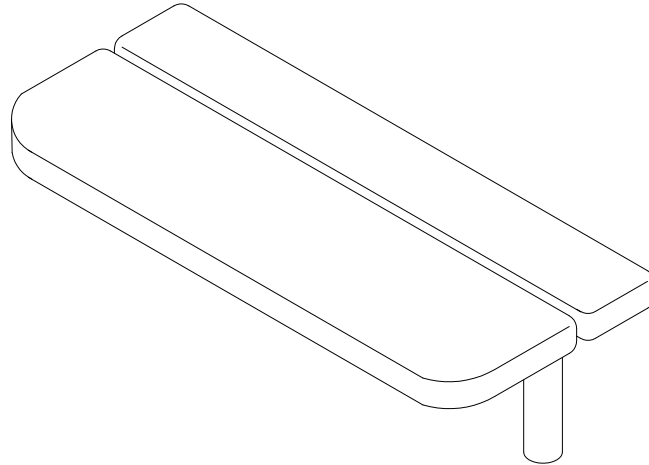


Refer to "Typical Threaded Insert Installation" in the supplemental prolog (iM1000) for installation procedures.



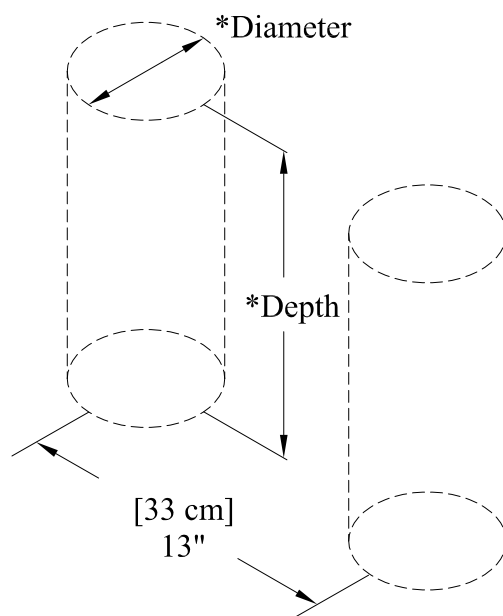
# Welcome Mat - Metal

M11-026  
Installation Instructions

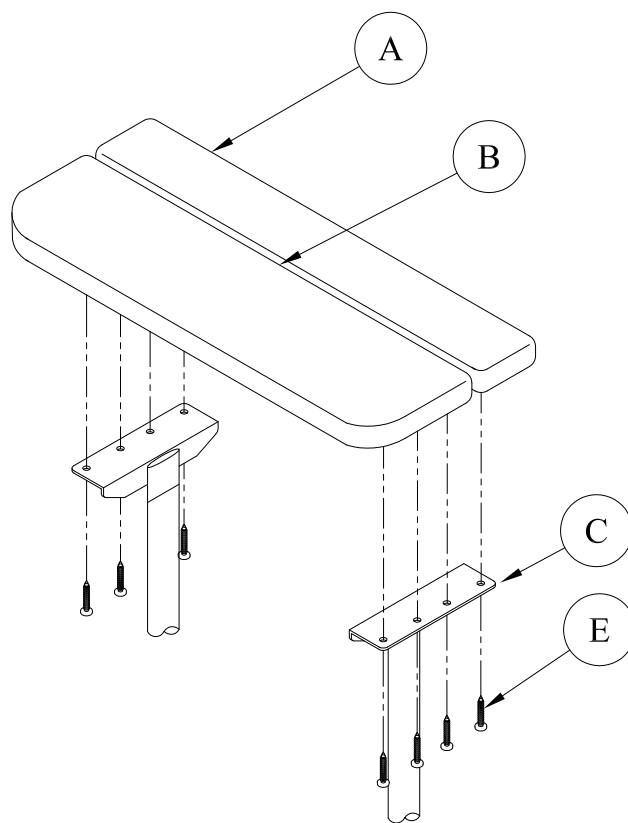


DET.	QTY.	PART#	DESCRIPTION	ICON (NOT TO SCALE)
A	1	401767	Seat Board - M	
B	1	401773	Seat Edge Board - M	
C	2	G614	Welcome Mat Leg	
D	2	402121	Anchor Rod 3/8" x 6" Round Bar Plain	○ 
	1	E614	Connector, Welcome Mat - Metal	
E	8	815513	#12 x 1-1/4" Sq Dr Pn Hd SS	⊕ 

1. Refer to structure design for location of Welcome Mat.
2. **Locate and dig two holes** for pipe footings as shown below. For pipe footing depth, (See "Pipe Footing" in "Typical Concrete Footings.")



3. **Connect legs (C)** to seat boards (A)(B) using 8 sheet metal screws (E).



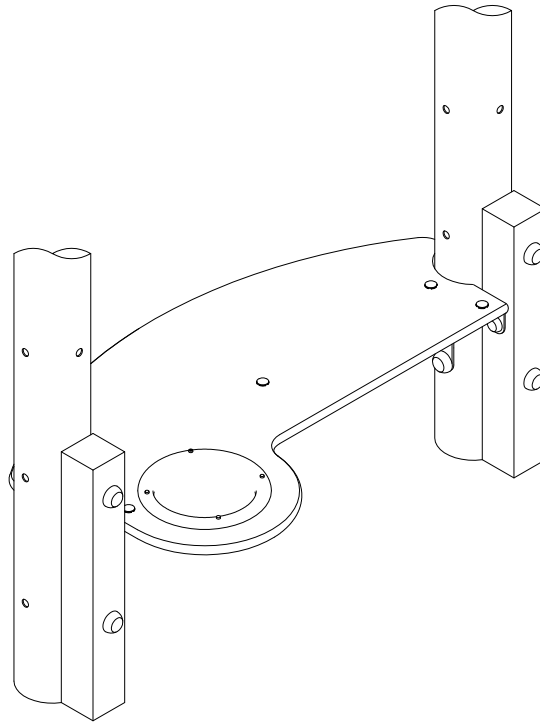
# Play Counter, Ground Level - Metal






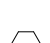




M57-011

Installation Instructions

**BigToys**



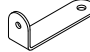




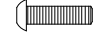






A PLAYCORE Company



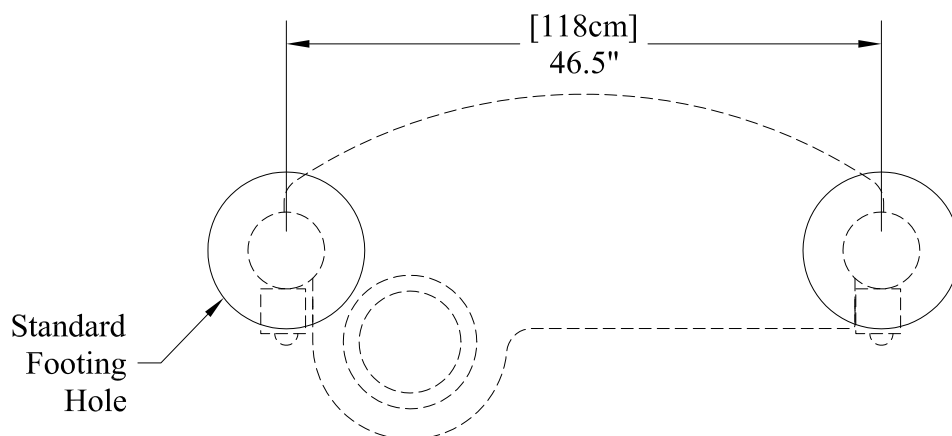
DET.	QTY.	PART#	DESCRIPTION	ICON (NOT TO SCALE)
A	1	L513	Plate, Play Counter	
B	1	401381	Bowl with 4 Holes	
C	2	401777	Enclosure Support 23-3/4" - M	
D	1	402079	Play Counter Support Beam - EW	
	1	E983_	Connector, Play Counter Ground - Metal	
E	6	M000	Threaded Insert 1/2"	
F	6	817201	Lock Washer, 1/2" Int Tooth Type A PLTD	
G	4	801219	Bolt Tap 1/2-13 x 5" NC Pltd	
H	3	811057	Cap Screw 3/8-16 x 2-1/2" Btn Hd SS	
I	4	815517	Wood Screw #8 x 3/4" Phil DR PN HD SS	
J	2	800725	Screw Lag 3/8 x 2" Pltd	
K	7	G030	Do-Nut Base (No Boss) 10mm	
L	7	G032	Do-Nut Cap 10mm	
M	6	G034	Do-Nut Base (No Boss) 12mm	
N	6	G036	Do-Nut Cap 12mm	

Continued 

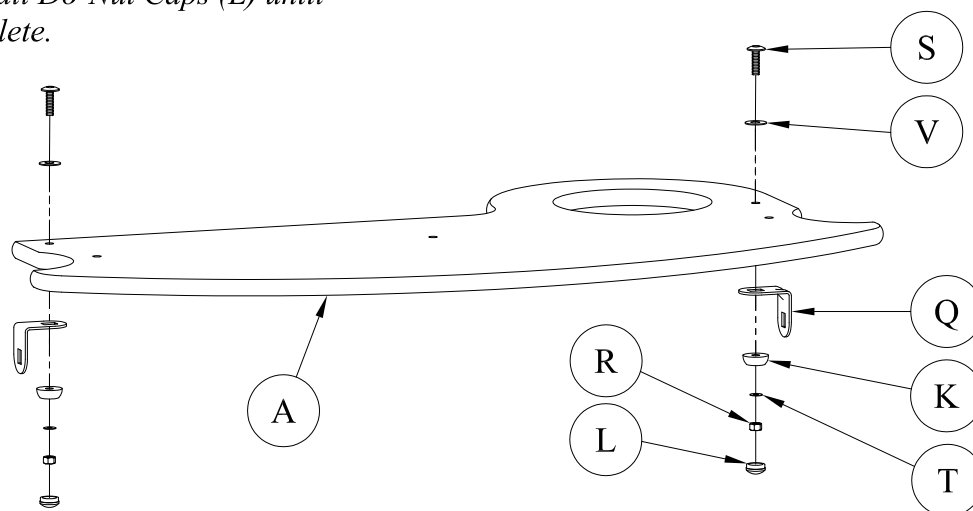


DET.	QTY.	PART#	DESCRIPTION	ICON (NOT TO SCALE)
O	2	801206	Bolt Tap 1/2-13 x 1-3/4" Grd 2 Nc Pltd	 
P	2	G273	Bracket, Play Counter Support	
Q	2	402288	Bracket, EarlyWorks 90D	
R	5	804353	Nut Hex 3/8-16 2-Way Locknut NC PLTD	 
S	2	811053	Cap Screw 3/8-16 x 1-1/2" Btn Hd SS	 
T	7	817200	Lock Washer, 3/8" Int Tooth Type A PLTD	 
U	4	817424	Washer Fender 3/8 x 1-1/4" OD SS	 
V	5	817406	Flat Washer 5/16" W/1-1/8" OD SS	 

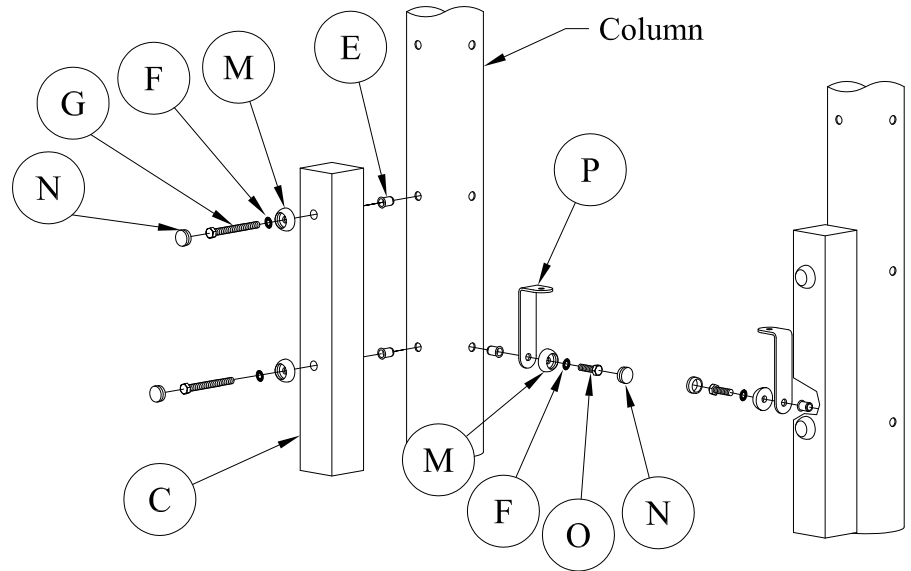
1. Refer to your structure design for location of the Play Counter.
2. If columns are not already installed, lay out and dig footing holes as shown.
3. For footing depths see "Standard Footing and Pipe Footing" in "Typical Concrete Footings."



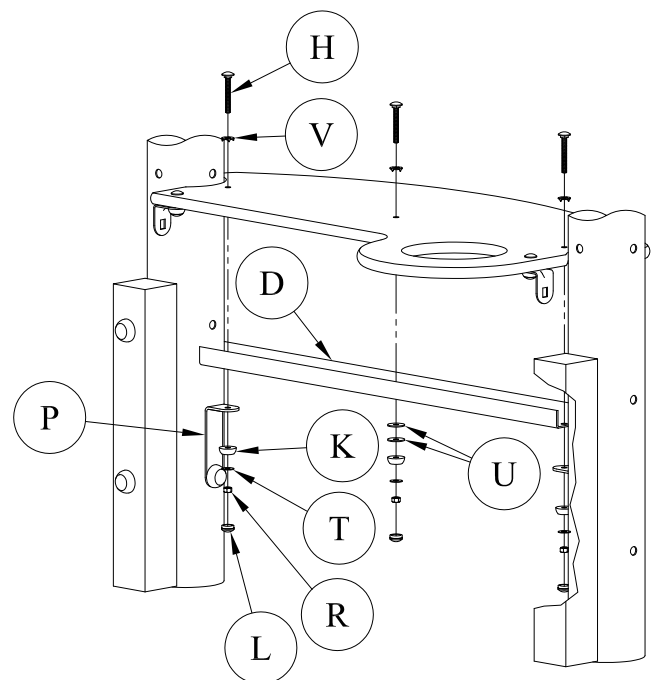
4. **Attach Brackets (Q) to Play Counter (A)** using hardware (L)(T)(K)(R)(S)(V).  
*Note: Do not install Do-Nut Caps (L) until final step is complete.*



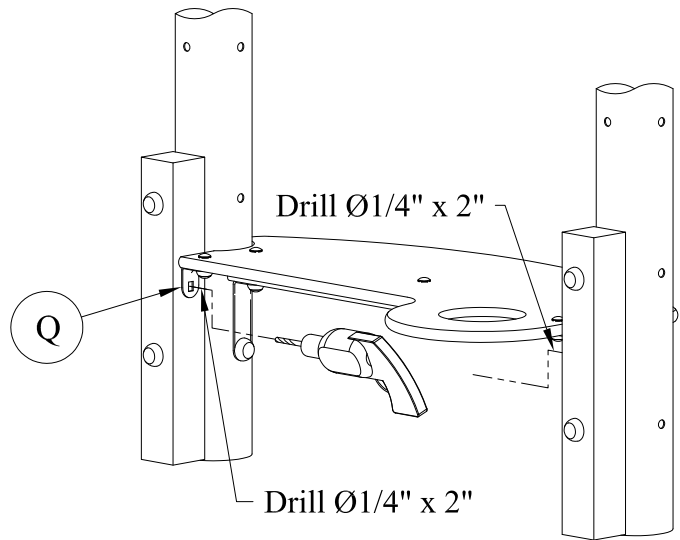
5. **Install Threaded Inserts (E)** in Columns.  
(See "Typical Threaded Insert Installation")
6. **Attach Supports (C)** to Columns using hardware (M)(F)(G)(N).
7. **Attach Brackets (P)** to Columns using hardware (M)(O).  
*Do not install Do-Nut Caps (N) until final step is complete.*



8. **Install Play Counter and Play Counter Support (D)** onto Brackets (P) using hardware (H)(V)(K)(T)(R)(L)(U).  
(See "Typical Do-Nut Installation")

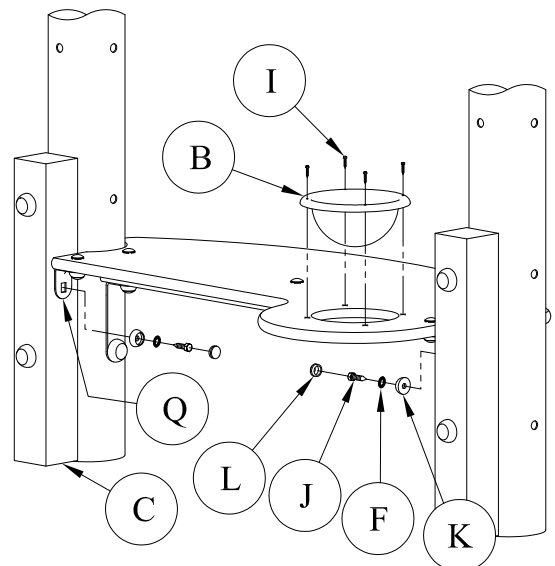


9. **With Play Counter Level, drill  $\text{\O}1/4"$  x 2" deep pilot holes through Brackets (Q).**



10. **Attach Bowl (B) to Play Counter (A) using hardware (I).**

11. **Secure Brackets (Q) to Supports (C) using hardware (J)(F)(K)(L).**



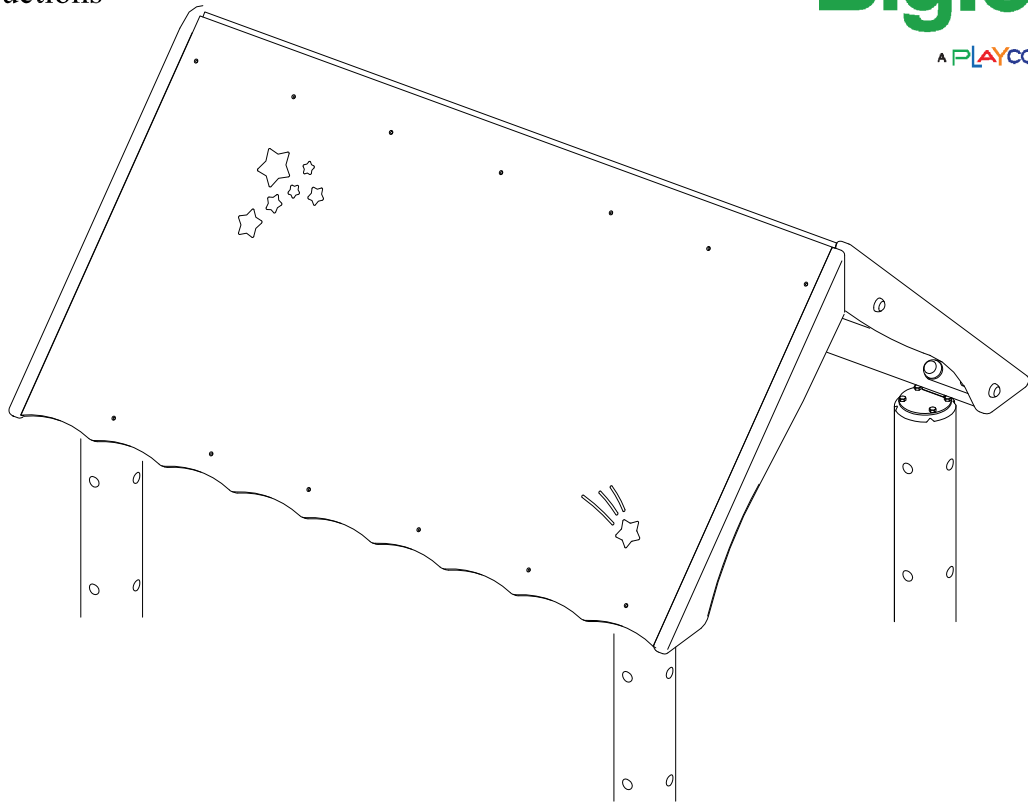
# Playhouse Roof 75-1/2" with Roof Panels - Metal

M04-010 (GREEN), M53-010 (PGB BLUE)

Installation Instructions





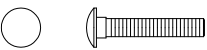




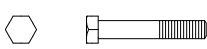
# BigToys

A PLAYCORE Company



DET.	QTY.	PART#	DESCRIPTION	ICON (NOT TO SCALE)	
A	4	401352	Bracket, Roof Purlin		
B	4	402092	Fascia Playhouse		
C	2	L559/L560	Playhouse Roof Panel 75"		
D	2	401705	Beam Lower 75-1/2"		
E	2	401707	Beam Upper 75-1/2"		
	1	E286_	Connector, Playhouse Roof 75-1/2" W/Roof Panels - Metal		
F	16	811012	Cap Screw 1/4 x 1" Btn Hd Sckt CS P-lock		
H	28	815507	Screw, Wood #10 x 2" SS		
I	4	800429	Bolt Carriage 1/2 x 2-1/4" NC Pltd		
J	4	804355	Nut, Hex 1/2" - Lock		
K	16	G030	Do-Nut Base (No Boss) 10mm		
L	16	G032	Do-Nut Cap 10mm		
M	4	G034	Do-Nut Base (No Boss) 12mm		
N	4	G036	Do-Nut Cap 12mm		

Continued

DET.	PART#	DESCRIPTION	QTY.	ICON (NOT TO SCALE)
O	4	401462		Bracket, Playhouse "L" Hdg 
P	4	401463		Bracket, Playhouse 90D HDG 
Q	4	401464		Bracket, Playhouse 90D Gusset, HDG 
S	20	804353		Nut Hex 3/8-16 2-Way Locknut NC PLTD 
T	16	800258		Bolt Carriage 3/8 x 2-1/4" Nc Pltd 
U	16	817200		Lock Washer, 3/8" Int Tooth Type A PLTD 
V	16	817408		Washer Flat 1/4" SAE SS 
W	4	M600		Column End Fitting, Alum 
X	8	805303		Rivet, Alum Drive 1/4 x 15/32 
Z	4	801008		Bolt Hex 3/8-16 x 2-1/4" Grd 2 NC Pltd 

Items listed below Hardware Complete line are included with Hardware Complete Number  
**Warning:** During Installation, Hardware And Small Parts Are Choking Hazards For Young Children. Store Unused Parts Appropriately Until Assembly Is Completed. Once Assembly Is Completed, Remove Any Unused Parts From The Play Environment And Dispose/Save Them In A Secure Location. Any bolt end protruding more than two full threads beyond the face of the nut causes risk of clothing entanglement.

Promptly cut-off flush, file smooth, and treat to prevent corrosion.

Unless Otherwise Specified, All Units of Measure are Each

Note: Peen Tee-Nuts and Flatwashers to match radius of pipe after assembly is complete.

Note: Loctite (supplied by others) should be used on any non-patch hardware.

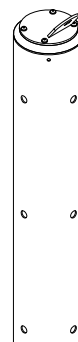
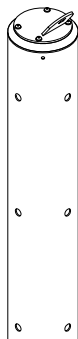
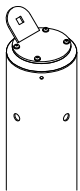
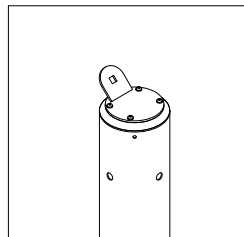
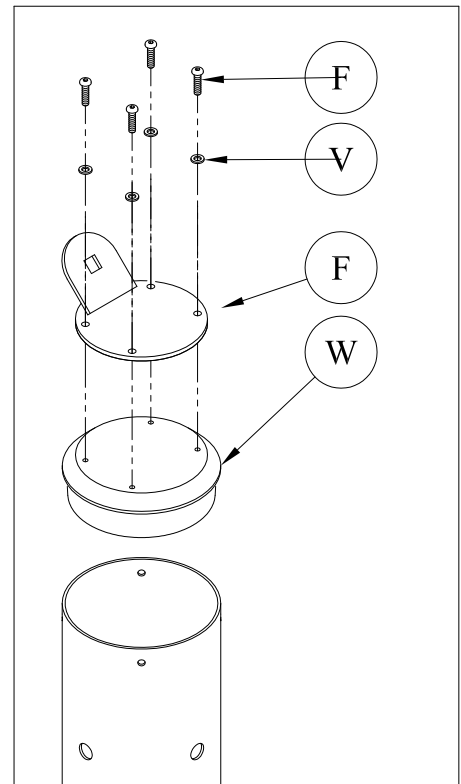
#### MAINTENANCE PROCEDURE:

Periodically check hardware for tightness, and tighten as necessary. Always check all parts for breakage or wear, and immediately put equipment out of service until any faulty parts found are repaired or replaced. Also Check all metal parts for rust, paint loss and touch-up if necessary with paint. Check for welded areas and verify integrity. Check periodically resilient surfacing for appropriate depth and remove extraneous materials that could cause injury, infection, or disease.

Maintain detailed installation, inspection, maintenance, and repair records for each public-use playground equipment.

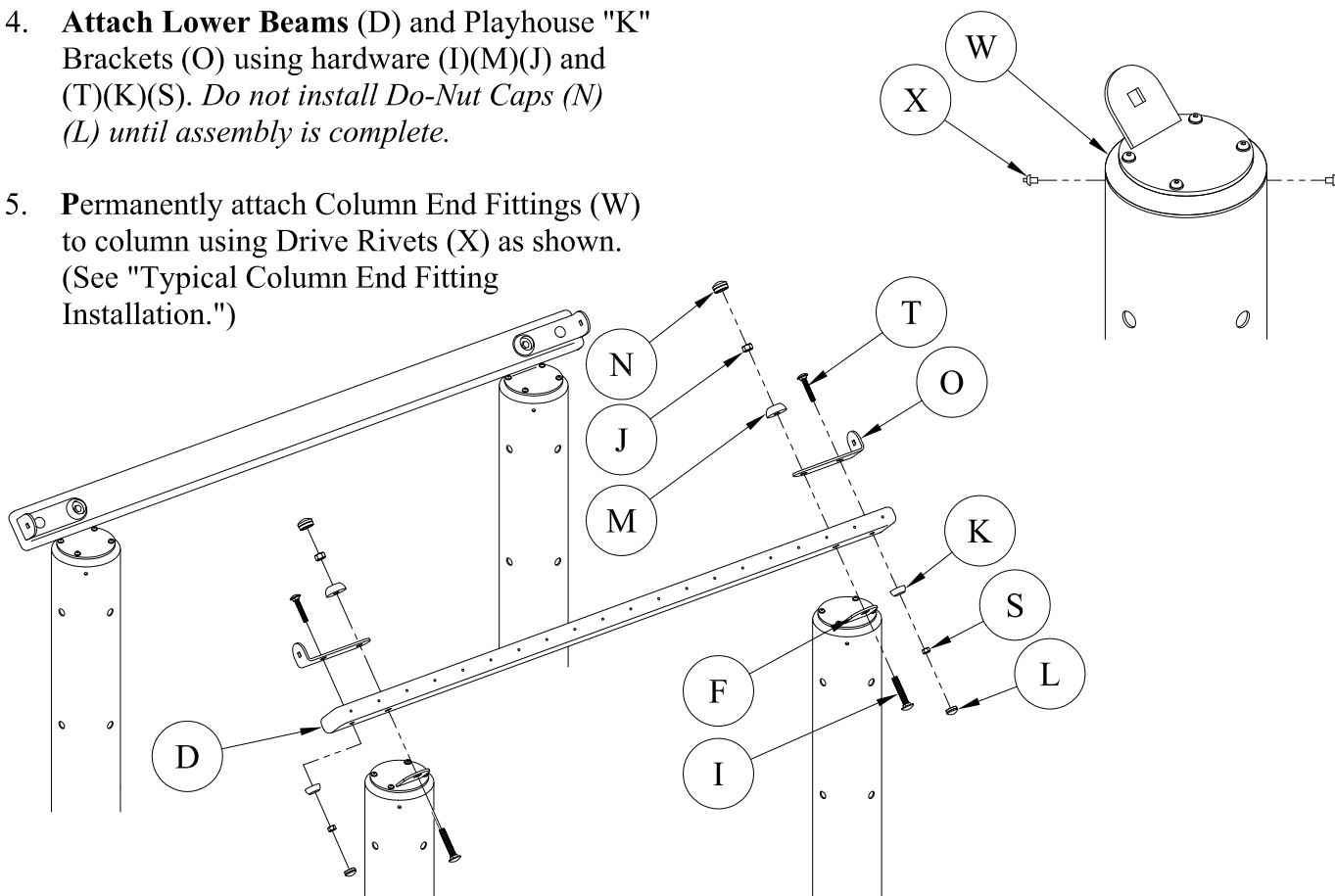
When the structure is finished and satisfactory, eliminate sharp points and sharp edges (burring) on installed hardware like bolts, nuts, etc. Install resilient surfacing material within the use zone of play structure in accordance with ASTM specifications F1292 appropriate for the fall height of each structure. Refer to the safety guidelines.

1. Refer to your structure design for location of Playhouse Roof.
2. **Attach Roof Purlin Brackets (F)** to Column End Fitting-Bracket Mount (W) using hardware (F)(V).
3. **Insert the Column End Fitting-Bracket Mount Assembly** into column and orient as shown.

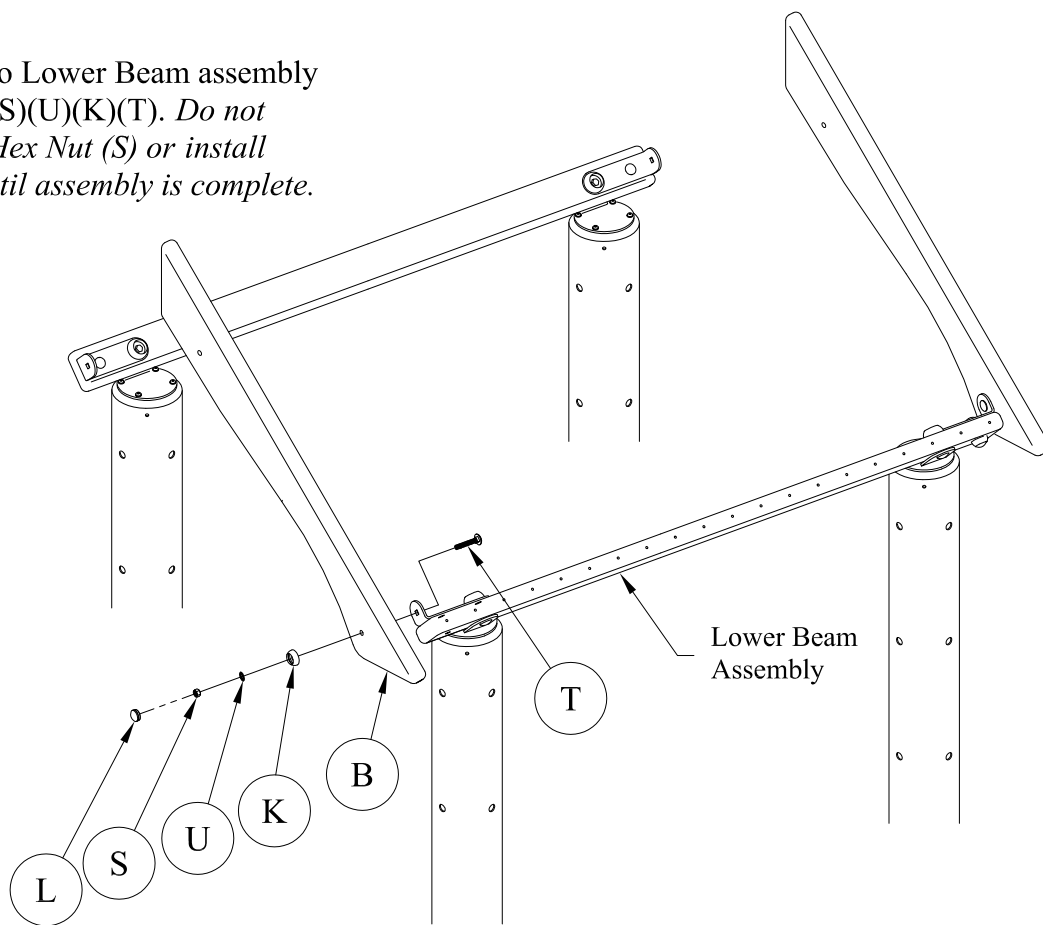


4. **Attach Lower Beams (D)** and Playhouse "K" Brackets (O) using hardware (I)(M)(J) and (T)(K)(S). *Do not install Do-Nut Caps (N) (L) until assembly is complete.*

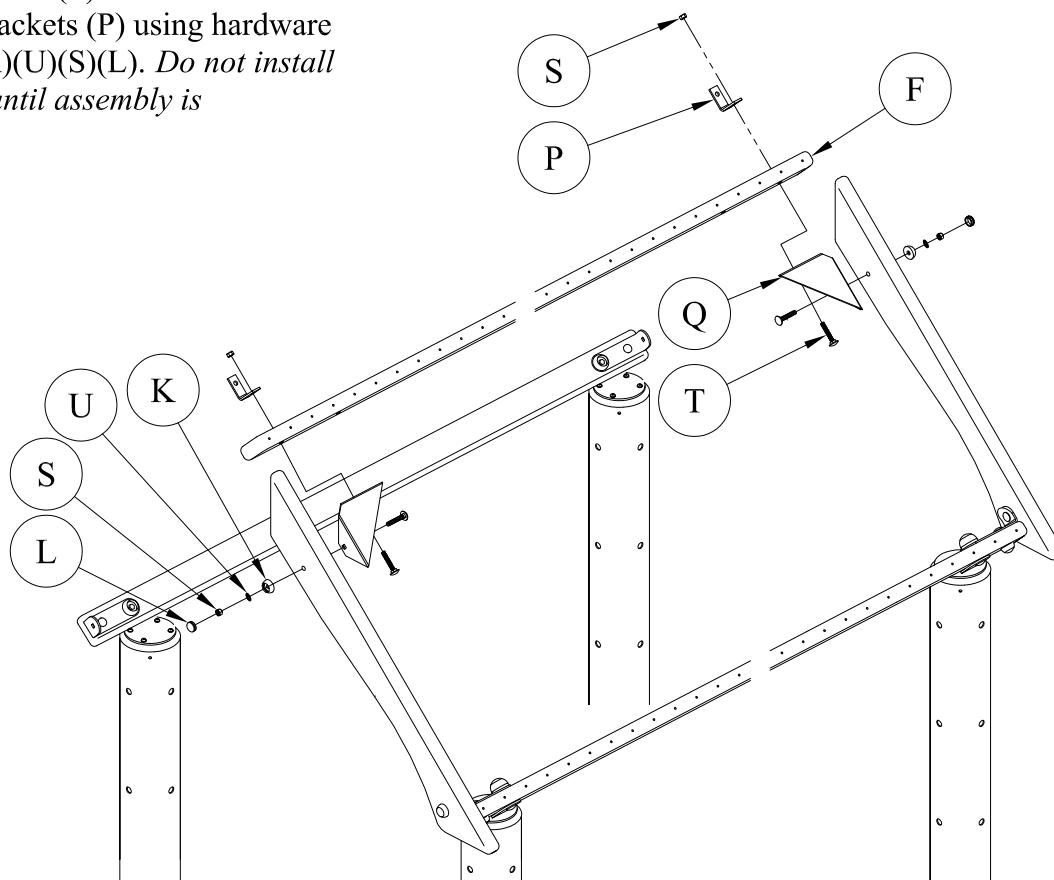
5. **Permanently attach Column End Fittings (W)** to column using Drive Rivets (X) as shown. (See "Typical Column End Fitting Installation.")



6. **Attach Facias (B)** to Lower Beam assembly using hardware (L)(S)(U)(K)(T). *Do not completely tighten Hex Nut (S) or install Do-Nut Caps (L) until assembly is complete.*

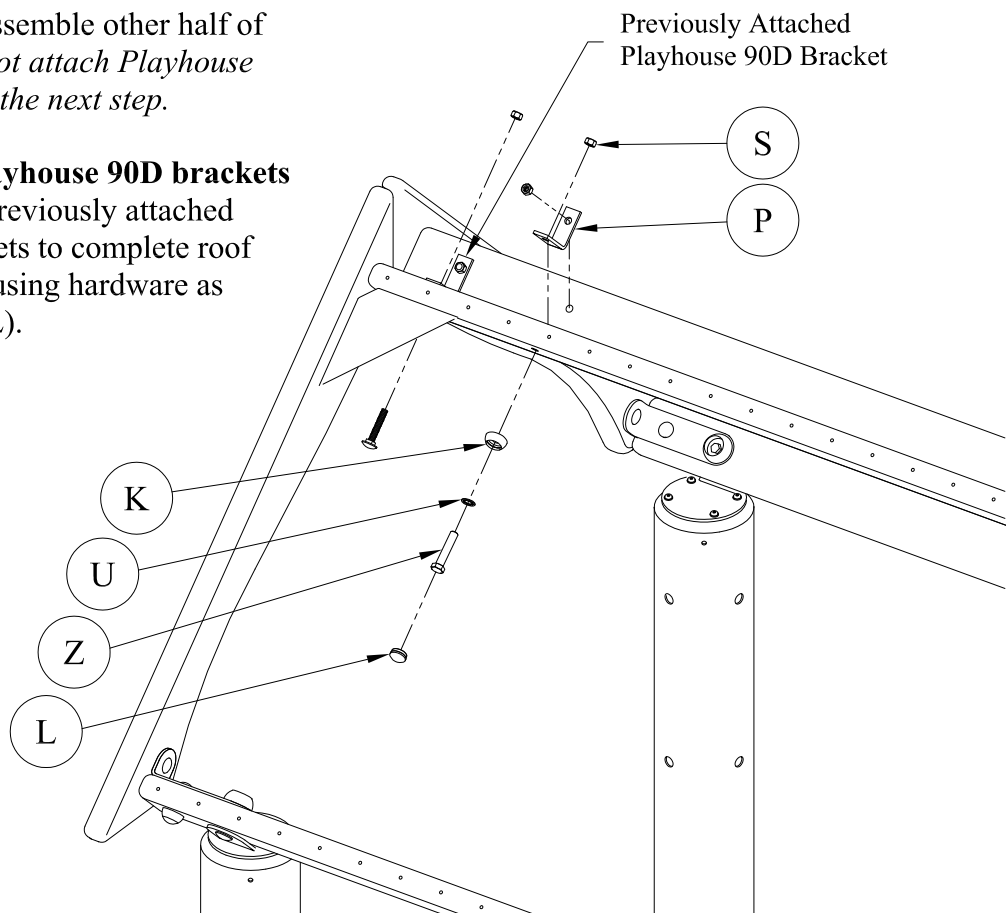


7. **Attach Upper Beams (F)** and two outer Playhouse 90D Brackets (P) using hardware as shown (S)(T)(K)(U)(S)(L). *Do not install Do-Nut Caps (L) until assembly is complete.*



8. **Repeat steps 5-6** to assemble other half of roof framework. *Do not attach Playhouse 90D Bracket (P) until the next step.*

9. **Install remaining Playhouse 90D brackets (P)** and bolt through previously attached Playhouse 90D Brackets to complete roof framework assembly using hardware as shown (S)(K)(U)(Z)(L).





10. **Attach Roof Panels (C)** to both sides of roof framework by inserting Wood Screws (H) through the Panels and into pilot holes in Upper and Lower Beams.

