

BT412 TREK

Parts List		
DESCRIPTION	QTY	PART NUMBER
NAVICROSS	1	BT463
INCLINED WALL	1	BT464
ACTIVE LINK	1	BT467
SUSPENDED PLAYSHELL	1	BT470
SINGLE PLAYSHELL	1	BT471
STRETCHING RING	1	BT473
NAVICLIMB INVERTED	1	BT476
UPRIGHT 1	1	404077
UPRIGHT 2	1	404079
UPRIGHT 3	1	404081
UPRIGHT 4	1	404083
UPRIGHT 5	1	404085
UPRIGHT 6	1	404087
HARDWARE COMPLETE	1	311650
5" POST TOP COVER	6	311349
3/8" x 1/2" P.B.H.C.S. w/PATCH	12	812049

*Unless Otherwise Specified, All Units of Measure are Each
Items listed below Hardware Complete line are included with Hardware Complete Number*

Warning: During Installation, Hardware And Small Parts Are Choking Hazards For Young Children. Store Unused Parts Appropriately Until Assembly Is Completed. Once Assembly Is Completed, Remove Any Unused Parts From The Play Environment And Dispose/Save Them In A Secure Location. Any bolt end protruding more than two full threads beyond the face of the nut causes risk of clothing entanglement. Promptly cut-off flush, file smooth, and treat to prevent corrosion.

Note: Peen Tee-Nuts and Flatwashers to match radius of pipe after assembly is complete.

Note: Loctite (supplied by others) should be used on any non-patch hardware.

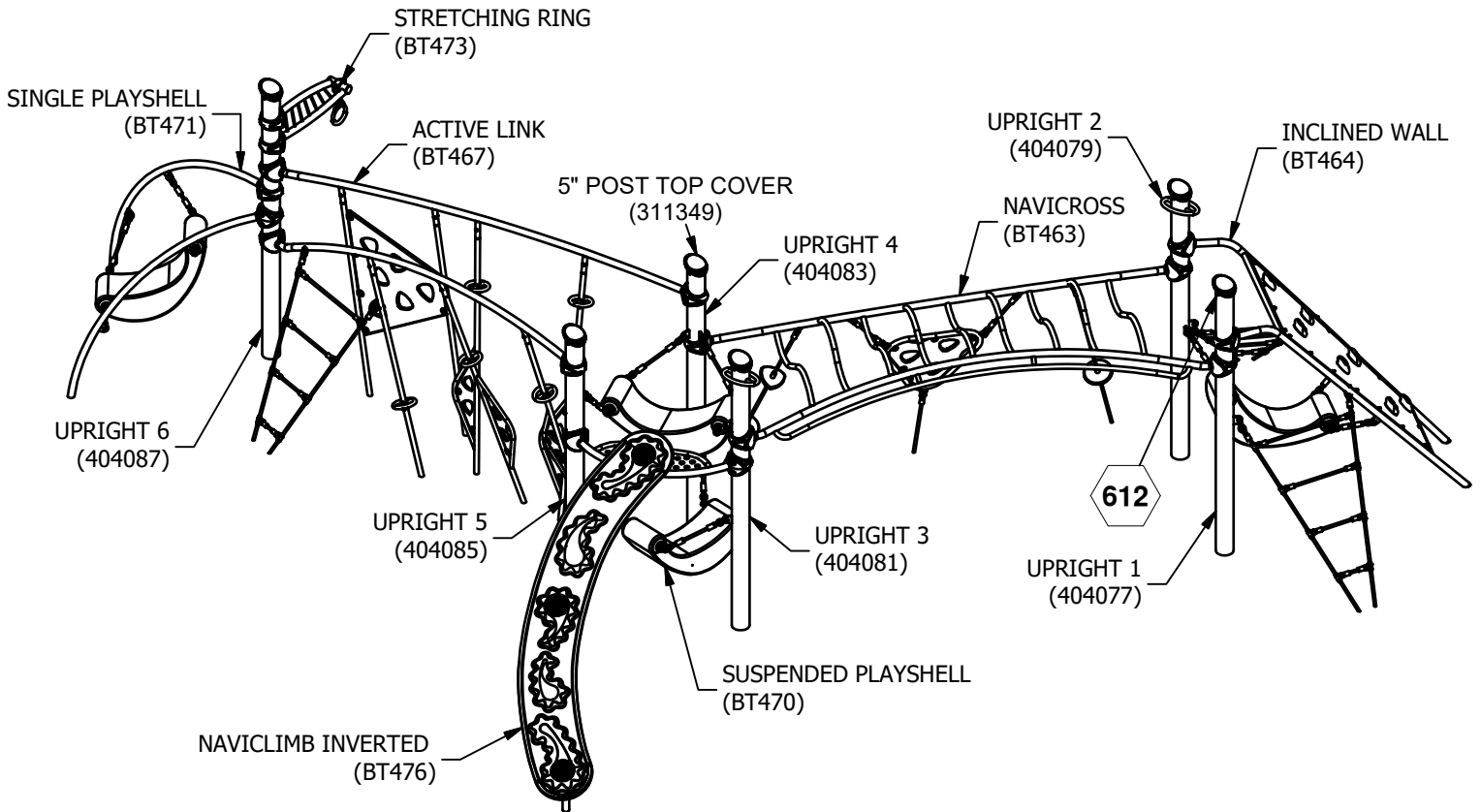
INSTALLATION INSTRUCTIONS:

1. Dig footing holes as shown in Ground Plan. See specific installation sheets for Elevation Views.
2. Refer to specific installation sheets for component attachments, hardware, details, and concrete requirements.
3. Attach 5" Post Top Cover to Uprights using 3/8" x 1/2" P.B.H.C.S. w/Patch. See Detail 612.
4. Plumb and level the entire assembly and tighten all fasteners.
5. After entire discrete unit is assembled pour concrete footings within 4" to the top and taper away from post for water drainage. Allow to cure at least 48 hours before use. **NOTE:** Temporary bracing may be required until concrete cures.
6. When the structure is finished and satisfactory, eliminate sharp points and sharp edges (burring) on installed hardware like bolt, nuts, etc. Install resilient surfacing material within the use zone of play structure in accordance with ASTM specifications F1292 appropriate for the fall height of each structure. Refer to the safety guidelines.

MAINTENANCE PROCEDURE:

Periodically check hardware for tightness, and tighten as necessary. Always check all parts for breakage or wear, and immediately put equipment out of service until any faulty parts found are repaired or replaced. Also Check all metal parts for rust, paint loss and touch-up if necessary with paint. Check for welded areas and verify integrity. Check periodically resilient surfacing for appropriate depth and remove extraneous materials that could cause injury, infection, or disease. Maintain detailed installation, inspection, maintenance, and repair records for each public-use playground equipment.

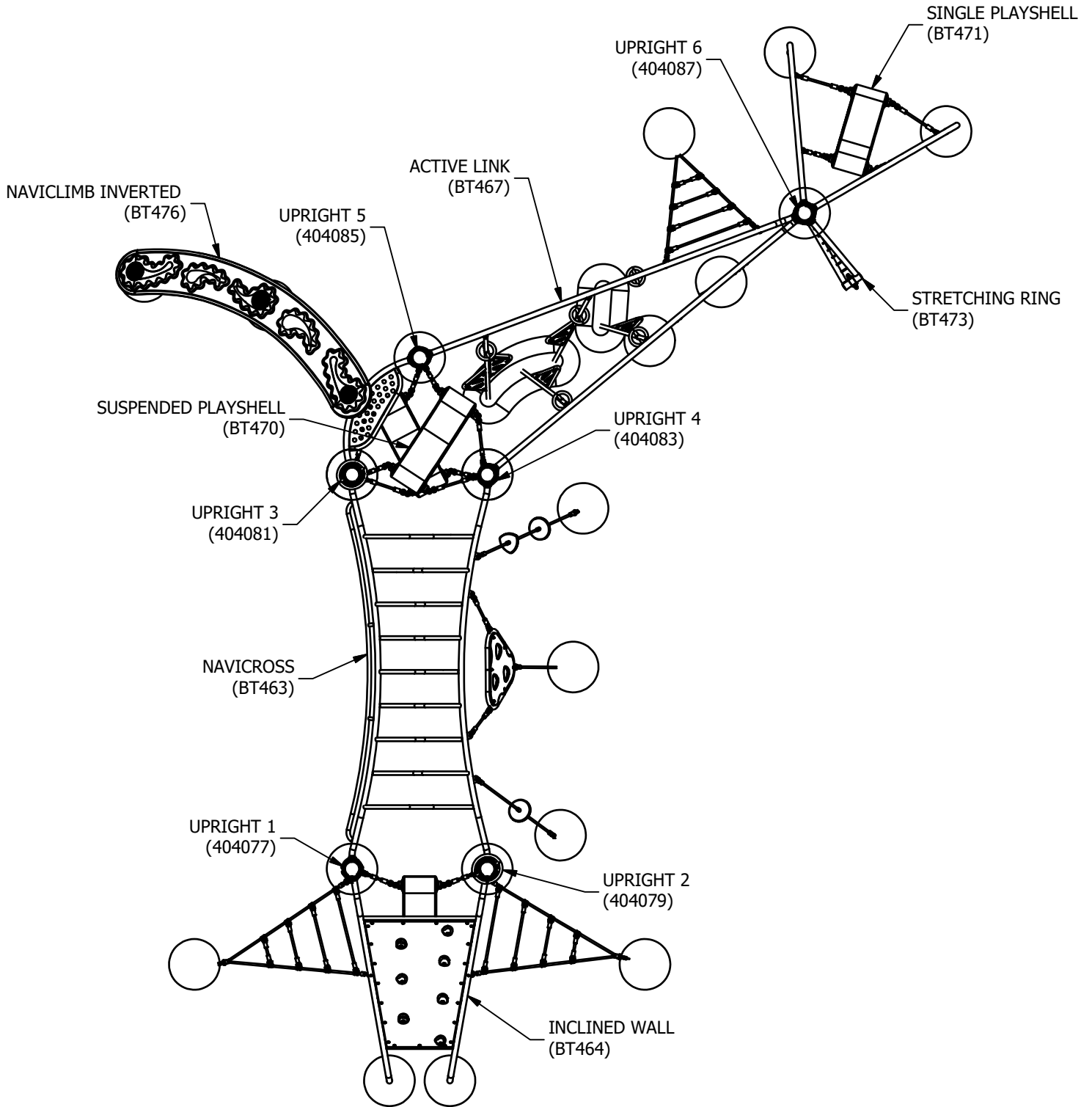
BT412 TREK



FINISHED ASSEMBLY

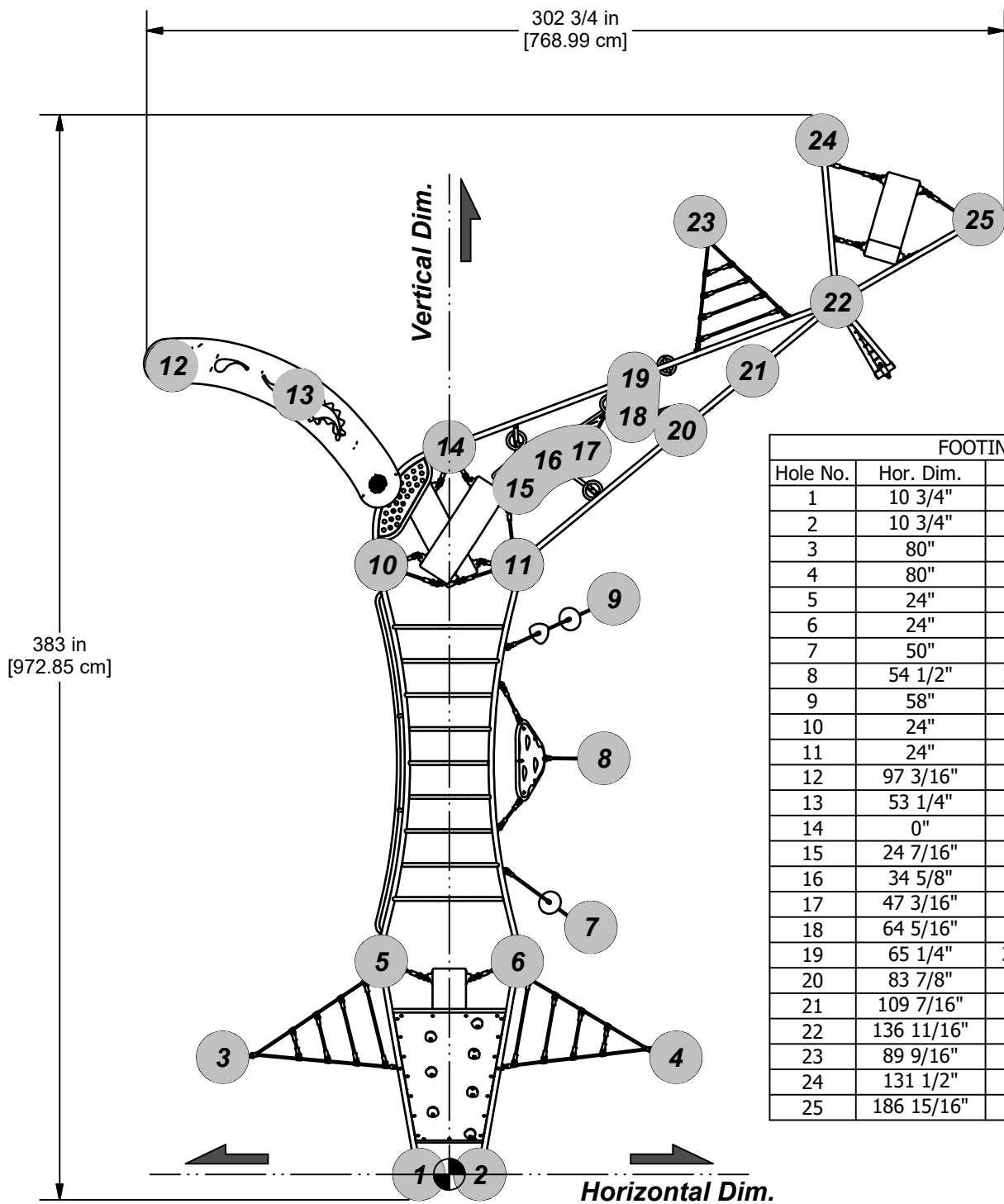
 = INSTALLATION DETAIL

BT412 TREK



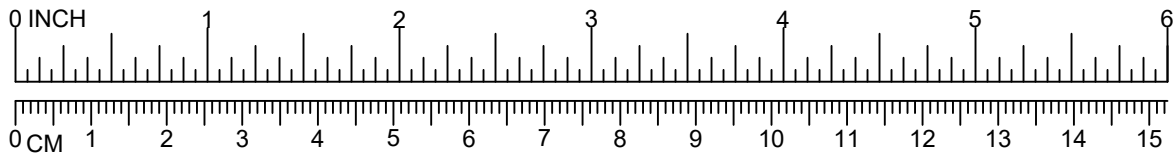
PLAN VIEW

BT412 TREK

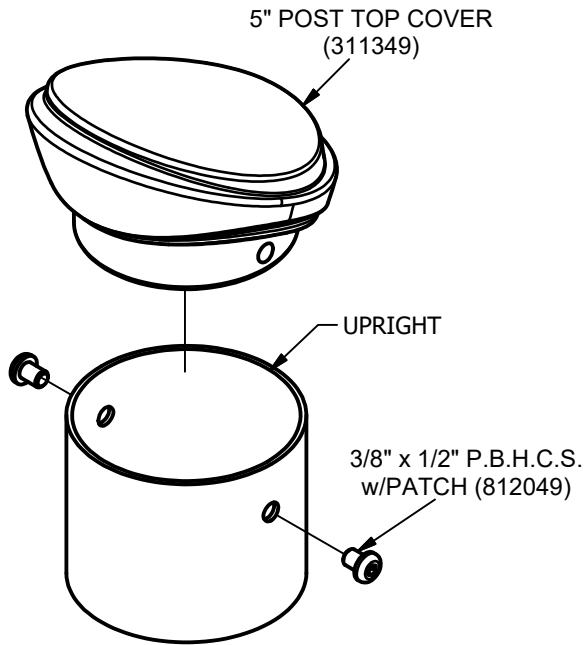


FOOTING TABLE			
Hole No.	Hor. Dim.	Ver. Dim.	Diagonal
1	10 3/4"	0	10 3/4"
2	10 3/4"	0	10 3/4"
3	80"	41 5/16"	90 1/16"
4	80"	41 5/16"	90 1/16"
5	24"	75 3/16"	78 15/16"
6	24"	75 3/16"	78 15/16"
7	50"	87 3/16"	100 1/2"
8	54 1/2"	146 15/16"	156 3/4"
9	58"	203 3/16"	211 5/16"
10	24"	215 3/16"	216 1/2"
11	24"	215 3/16"	216 1/2"
12	97 3/16"	285 1/2"	301 9/16"
13	53 1/4"	275 1/4"	280 3/8"
14	0"	256 3/4"	256 3/4"
15	24 7/16"	242 1/4"	243 1/2"
16	34 5/8"	251 9/16"	253 15/16"
17	47 3/16"	255 1/2"	259 13/16"
18	64 5/16"	267 5/8"	275 1/4"
19	65 1/4"	280 15/16"	288 7/16"
20	83 7/8"	264 3/8"	277 3/8"
21	109 7/16"	285 1/2"	305 3/4"
22	136 11/16"	308"	336 15/16"
23	89 9/16"	334 9/16"	346 5/16"
24	131 1/2"	365"	388"
25	186 15/16"	337"	385 3/8"

GROUND PLAN



BT412 TREK



612

BT463 NAVICROSS

Parts List		
DESCRIPTION	QTY	PART NUMBER
FLAT AURA	1	311475
FLAT AURA HDPE	1	311478
SINGLE DISK CABLE	1	311536
DOUBLE DISK CABLE	1	311550
WAVY CROSS	1	311581
HARDWARE COMPLETE	1	311582
22 1/2" CABLE	2	309153
74 3/4" CABLE ASSEMBLY	1	309157
SHROUD	4	311350
1/4" x 1 1/4" P.B.H.C.S.	8	812083
1/4" FLAT WASHER (5/8" O.D.)	8	817408
3/8" x 3/4" P.B.H.C.S. w/PATCH	6	812052
3/8" x 5 3/4" HEX HEAD BOLT	4	801051
3/8" FLAT WASHER	14	817410
3/8" LOCK NUT	4	804353
3/8" BARREL NUT	6	804804
5/8" S.S. FLAT WASHER	6	817415
3/4" ID BRONZE BEARING	14	817451

Unless Otherwise Specified, All Units of Measure are Each

Items listed below Hardware Complete line are included with Hardware Complete Number

Warning: During Installation, Hardware And Small Parts Are Choking Hazards For Young Children. Store Unused Parts Appropriately Until Assembly Is Completed. Once Assembly Is Completed, Remove Any Unused Parts From The Play Environment And Dispose/Save Them In A Secure Location. Any bolt end protruding more than two full threads beyond the face of the nut causes risk of clothing entanglement. Promptly cut-off flush, file smooth, and treat to prevent corrosion.

Note: Peen Tee-Nuts and Flatwashers to match radius of pipe after assembly is complete.

Note: Loctite (supplied by others) should be used on any non-patch hardware.

INSTALLATION INSTRUCTIONS:

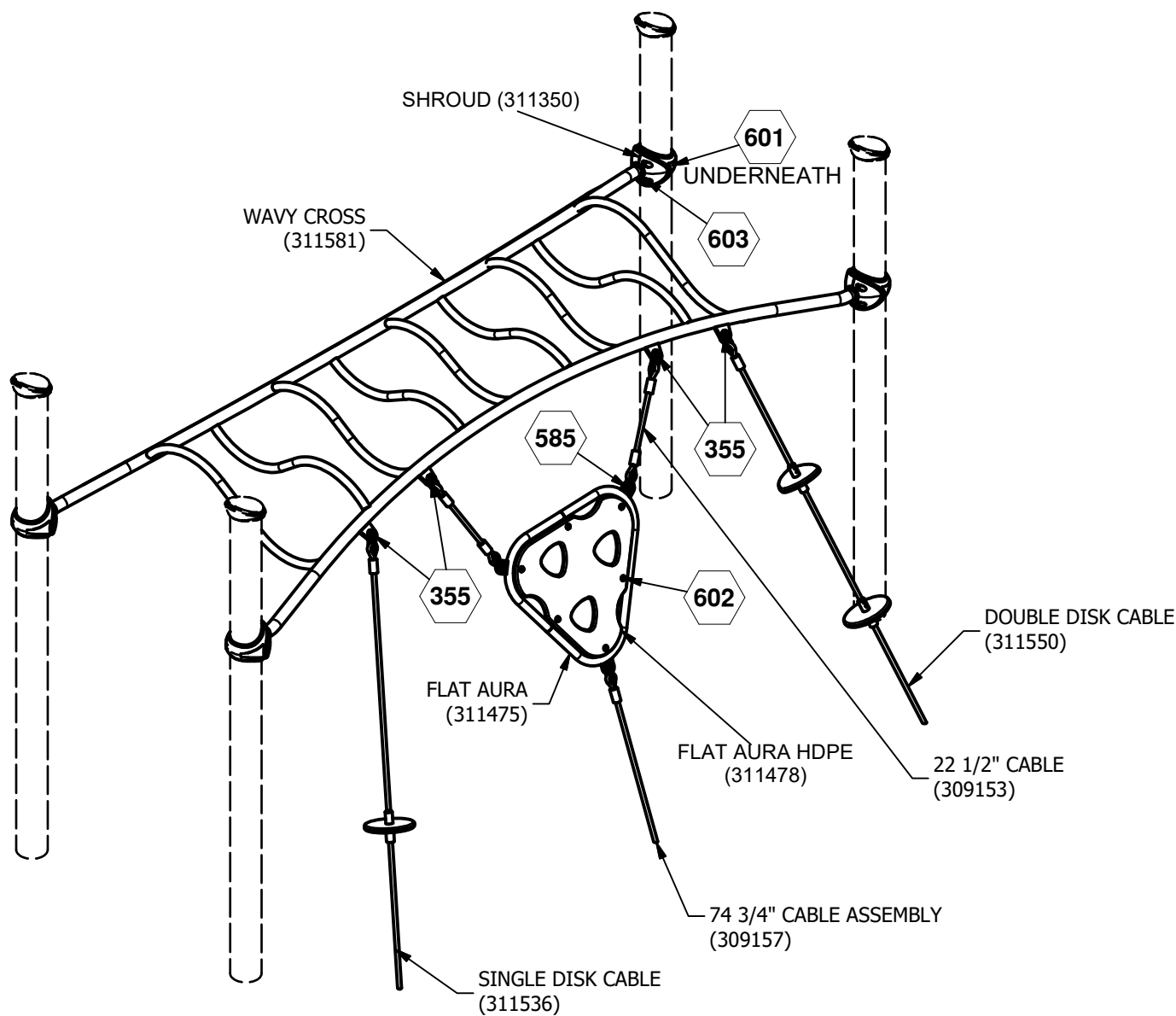
1. Dig footing holes as shown in Elevation and Plan Views. Refer to Top View for correct Upright and orientation.
2. Attach Wavy Cross to Upright using 3/8" x 5 3/4" Hex Head Bolt, 3/8" Flat Washer, and 3/8" Lock Nut. See Detail 601.
3. Attach Shroud to Uprights using 1/4" x 1 1/4" P.B.H.C.S and 1/4" Flat Washer (5/8" O.D.). See Detail 603.
4. Attach Flat Aura HDPE to Flat Aura using 3/8" x 3/4" P.B.H.C.S w/Patch, 3/8" Flat Washer and 3/8" Barrel Nut. See Detail 602.
5. Attach 22 1/2" Cables to Flat Aura using 5/8" Flat Washer & 3/4" I.D. Bronze Washer. See Detail 585.
6. Attach 22 1/2" Cables to Tabs located on the Wavy Cross using 3/4" I.D. Bronze Washers. See Detail 355
7. Attach 74 3/4" Cables to Flat Aura using 5/8" Flat Washer & 3/4" I.D. Bronze Washer. See Detail 585.
8. Attach Single and Double Disk Cables to Tabs located on the Wavy Cross using 3/4" I.D. Bronze Washers. See Detail 355
9. Plumb and level the entire assembly and tighten all fasteners.
10. After entire unit is assembled pour concrete footings within 4" to the top and taper away from post for water drainage. Allow to cure at least 48 hours before use. Temporary bracing may be required until concrete cures.

BT463 NAVICROSS

11. When the structure is finished and satisfactory, eliminate sharp points and sharp edges (burring) on installed hardware like bolts, nuts, etc. Install resilient surfacing material within the use zone of play structure in accordance with ASTM specifications F1292 appropriate for the fall height of each structure. Refer to the safety guidelines.

MAINTENANCE PROCEDURE:

Periodically check hardware for tightness, and tighten as necessary. Always check all parts for breakage or wear, and immediately put equipment out of service until any faulty parts found are repaired or replaced. Also Check all metal parts for rust, paint loss and touch-up if necessary with paint. Check for welded areas and verify integrity. Check periodically resilient surfacing for appropriate depth and remove extraneous materials that could cause injury, infection, or disease. Maintain detailed installation, inspection, maintenance, and repair records for each public-use playground equipment.



 = INSTALLATION DETAIL

Issued/Revised: 1/30/2013

FINISHED ASSEMBLY

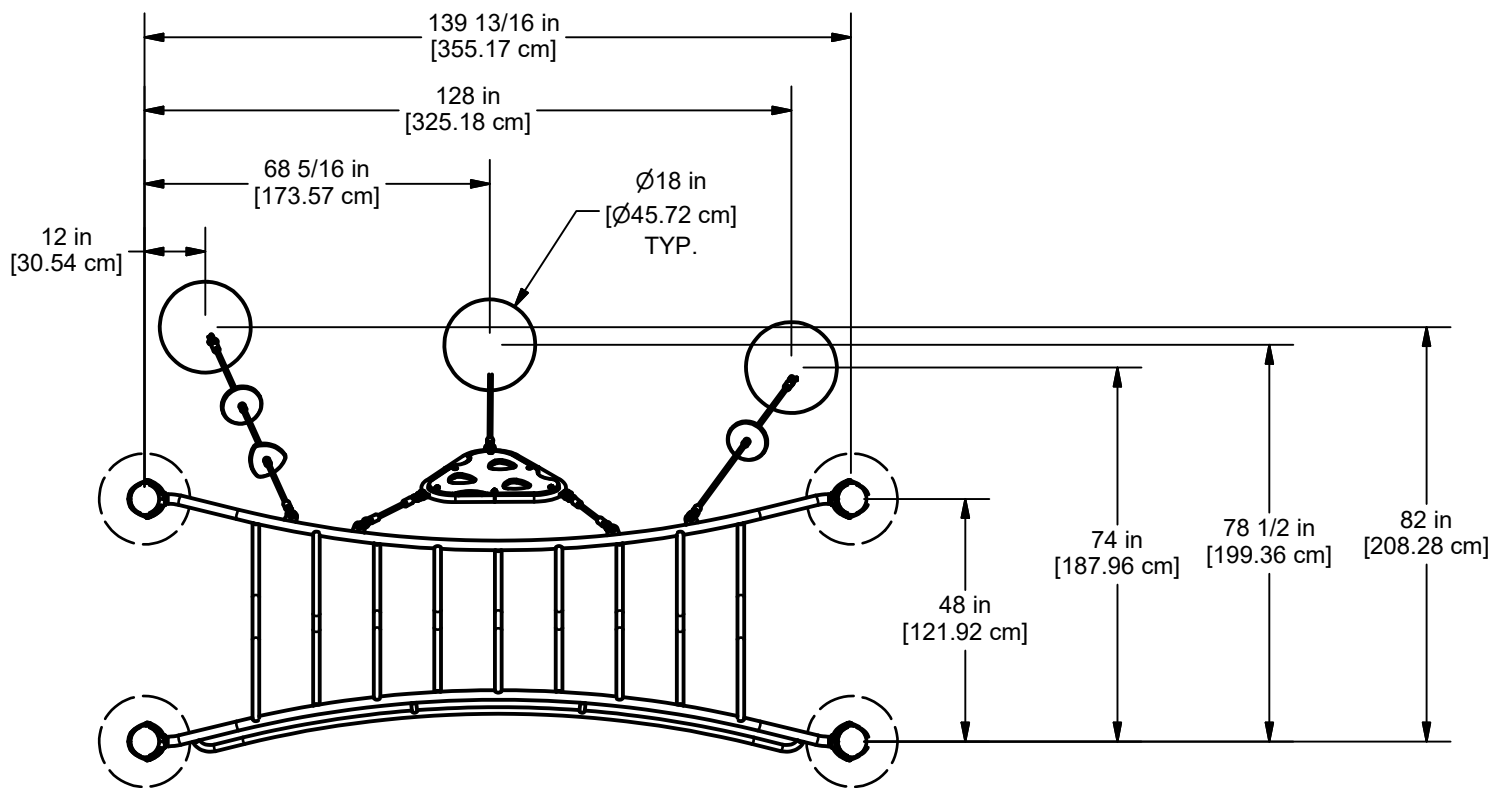
BigToys®

A PLAYCORE Company

COMPONENTS SHOWN IN
HIDDEN LINES ARE SOLD SEPARATELY

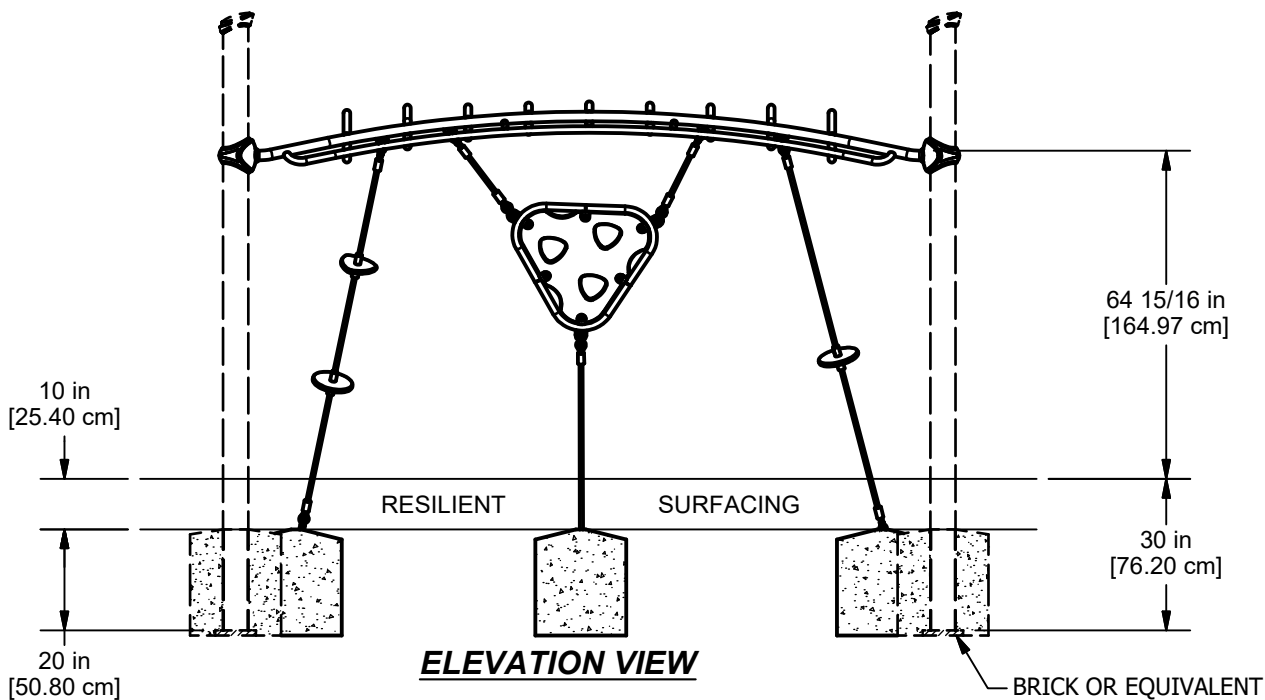
SHEET 2 OF 5

BT463 NAVICROSS

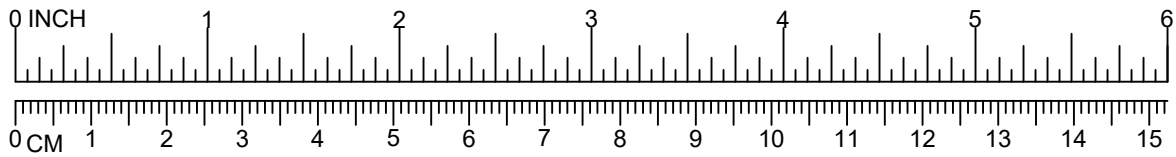


PLAN VIEW

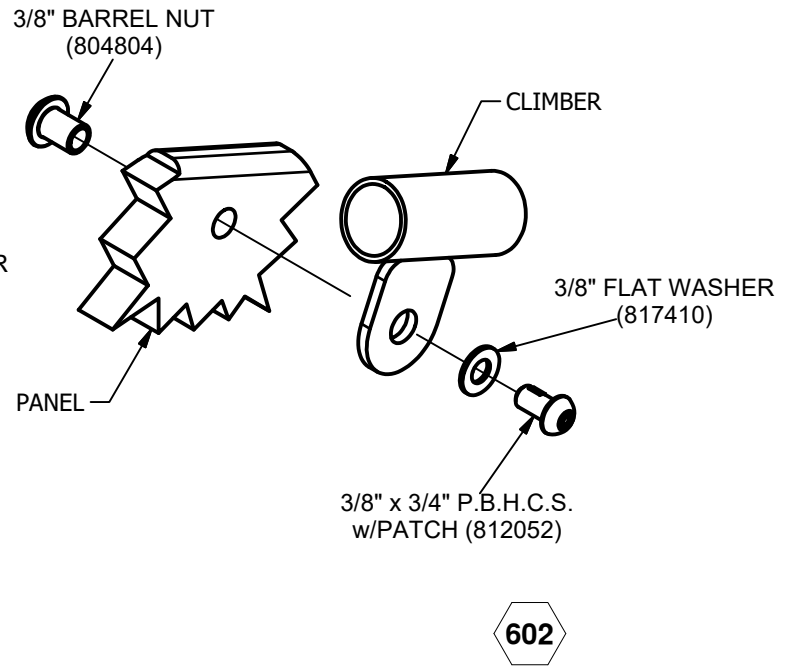
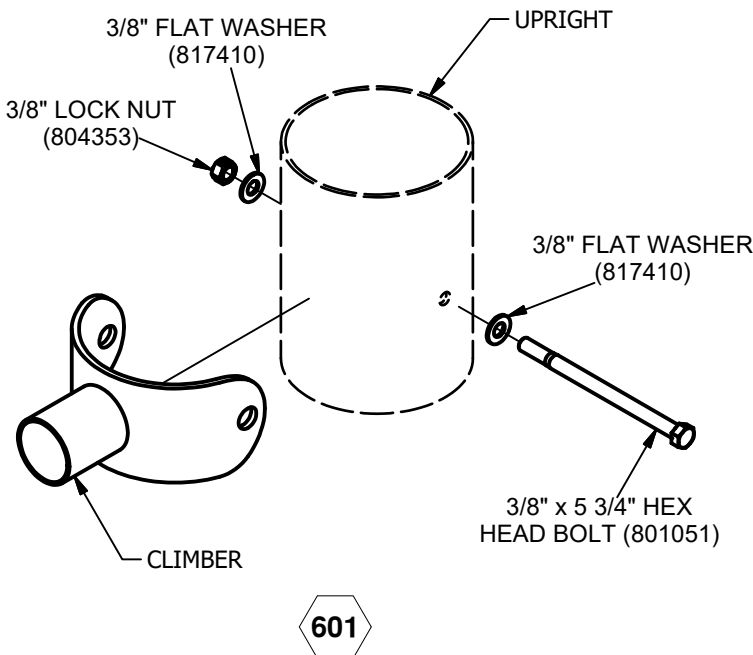
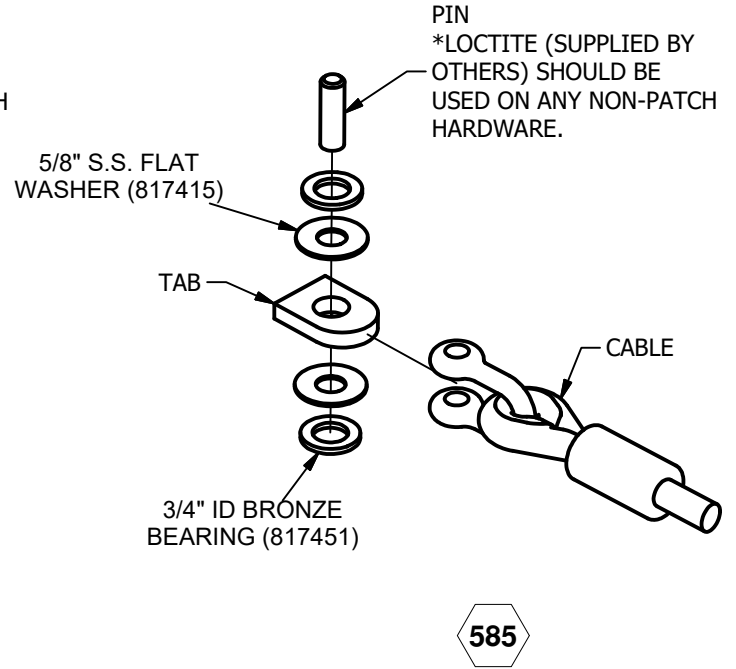
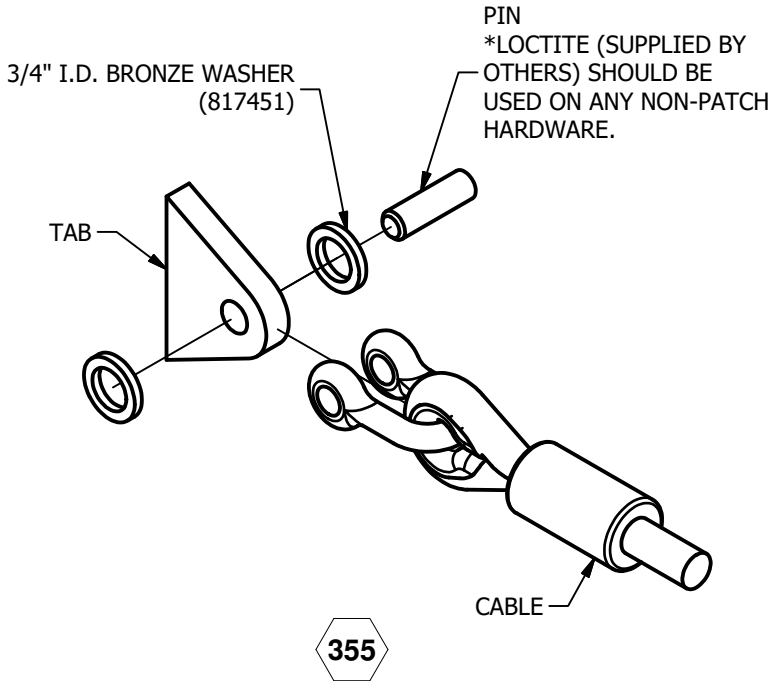
CONCRETE REQUIRED
0.327 CUBIC YARDS
[0.249 CUBIC METERS]

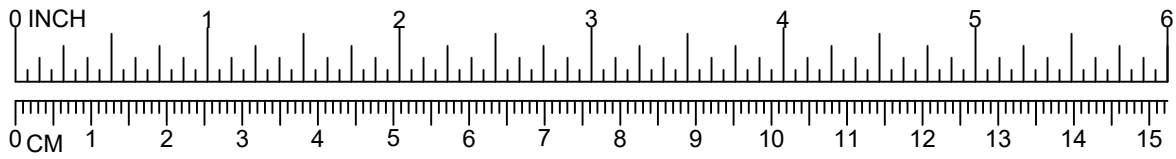


ELEVATION VIEW

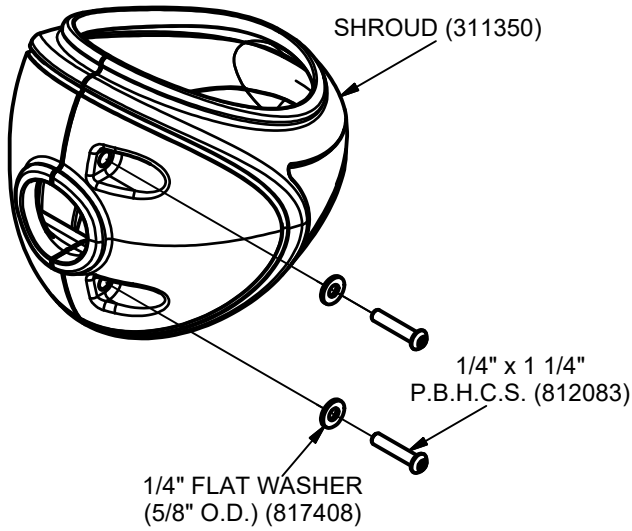


BT463 NAVICROSS





BT463 NAVICROSS



603

BT464 INCLINED CLIMBER

Parts List		
DESCRIPTION	QTY	PART NUMBER
CABLE	2	308254
14 15/16" CABLE	4	309082
ANGLE WALL HDPE	1	311539
ANGLE WALL	1	311543
PLAYSHELL	1	401549
PLAYSHELL PIPE	2	402415
HARDWARE COMPLETE	1	311571
SHROUD	2	311350
HANDHOLD PACKAGE	1	311570
STOP CASTING ASSEMBLY	4	402250
1/4" x 1 1/4" P.B.H.C.S.	4	812083
1/4" FLAT WASHER (5/8" O.D.)	4	817408
3/8" x 3/4" P.B.H.C.S. w/PATCH	21	812052
3/8" x 1 1/4" P.B.H.C.S. w/PATCH	2	812051
3/8" x 1 1/2" P.B.H.C.S. w/PATCH	14	812053
3/8" x 2" P.B.H.C.S. w/PATCH	2	812055
3/8" x 5 3/4" HEX HEAD BOLT	2	801051
3/8" FLAT WASHER	41	817410
3/8" FLAT WASHER (1 1/4" O.D.)	2	817424
3/8" LOCK NUT	2	804353
3/8" BARREL NUT	35	804804
3/4" ID BRONZE BEARING	16	817451

Unless Otherwise Specified, All Units of Measure are Each

Items listed below Hardware Complete line are included with Hardware Complete Number

Warning: During Installation, Hardware And Small Parts Are Choking Hazards For Young Children. Store Unused Parts Appropriately Until Assembly Is Completed. Once Assembly Is Completed, Remove Any Unused Parts From The Play Environment And Dispose/Save Them In A Secure Location. Any bolt end protruding more than two full threads beyond the face of the nut causes risk of clothing entanglement.

Promptly cut-off flush, file smooth, and treat to prevent corrosion.

Note: Peen Tee-Nuts and Flatwashers to match radius of pipe after assembly is complete.

Note: Loctite (supplied by others) should be used on any non-patch hardware.

BT464 INCLINED CLIMBER

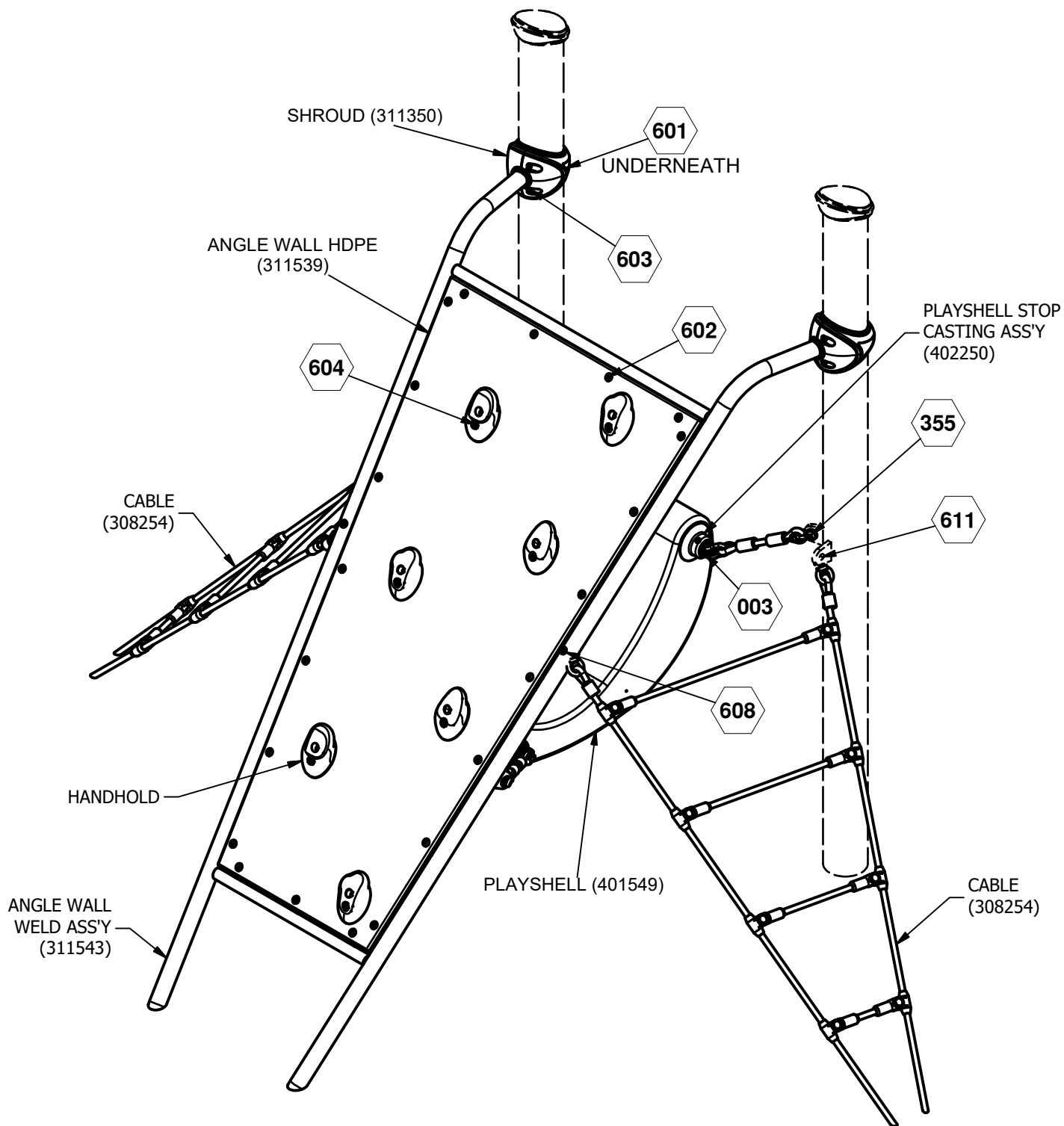
INSTALLATION INSTRUCTIONS:

1. Dig footing holes as shown in Elevation and Plan Views. Refer to Top View for correct Upright and orientation.
2. Attach Angle Wall to Uprights using 3/8" x 5 3/4" Hex Head Bolt, 3/8" Flat Washer, and 3/8" Lock Nut. See Detail 601.
3. Attach Shroud to Uprights using 1/4" x 1 1/4" P.B.H.C.S and 1/4" Flat Washer (5/8" O.D.). See Detail 603.
4. Attach Angle Wall HDPE to Angle Wall using 3/8" x 3/4" P.B.H.C.S w/Patch, 3/8" Flat Washer, and 3/8" Barrel Nut. See Detail 602.
5. Attach Handholds to Angle Wall HDPE using 3/8" x 1 1/2" P.B.H.C.S w/Patch, 3/8" Flat Washer, and 3/8" Barrel Nut. See Detail 604.
6. Attach Cable to Angle Wall using 3/8" x 2" P.B.H.C.S w/Patch and 3/8" Flat Washer. See Detail 608.
7. Attach Cable to Tabs located on Uprights. See Detail 611.
8. Locate the Playshell and connect Playshell Pipe using Playshell Stop Casting Ass'y. See Detail 001.
9. Attach 15" Cables to Playshell. See Detail 003.
10. Attach 15" Cables to Tabs located on Uprights. See Detail 355.
11. Plumb and level the entire assembly and tighten all fasteners.
12. After entire unit is assembled pour concrete footings within 4" to the top and taper away from post for water drainage. Allow to cure at least 48 hours before use. Temporary bracing may be required until concrete cures.
13. When the structure is finished and satisfactory, eliminate sharp points and sharp edges (burring) on installed hardware like bolts, nuts, etc. Install resilient surfacing material within the use zone of play structure in accordance with ASTM specifications F1292 appropriate for the fall height of each structure. Refer to the safety guidelines.

MAINTENANCE PROCEDURE:

Periodically check hardware for tightness, and tighten as necessary. Always check all parts for breakage or wear, and immediately put equipment out of service until any faulty parts found are repaired or replaced. Also Check all metal parts for rust, paint loss and touch-up if necessary with paint. Check for welded areas and verify integrity. Check periodically resilient surfacing for appropriate depth and remove extraneous materials that could cause injury, infection, or disease. Maintain detailed installation, inspection, maintenance, and repair records for each public-use playground equipment.

BT464 INCLINED CLIMBER



 = INSTALLATION DETAIL

Issued/Revised: 5/22/2018

FINISHED ASSEMBLY

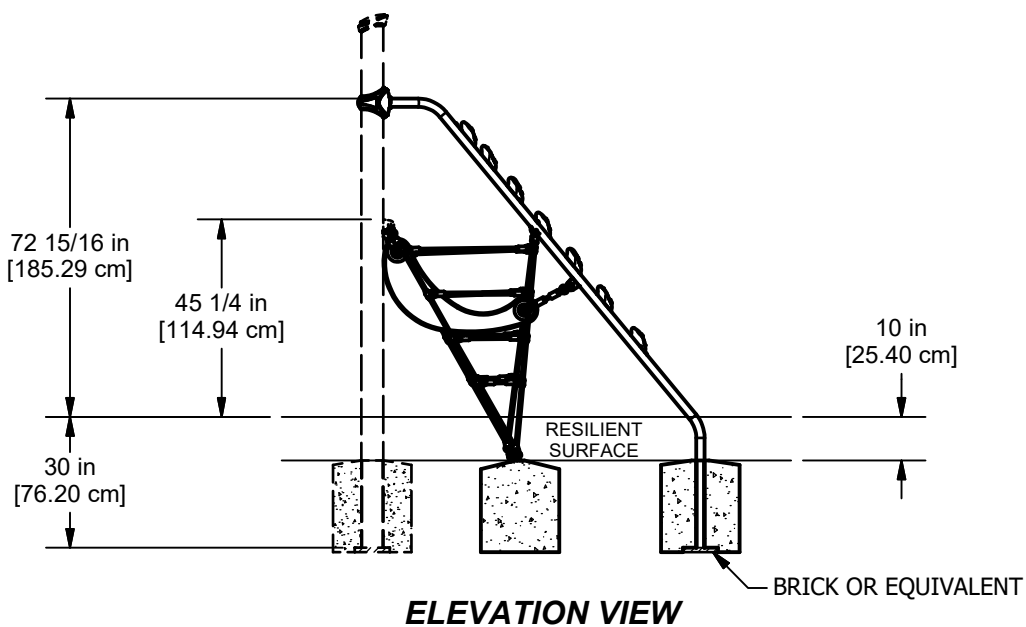
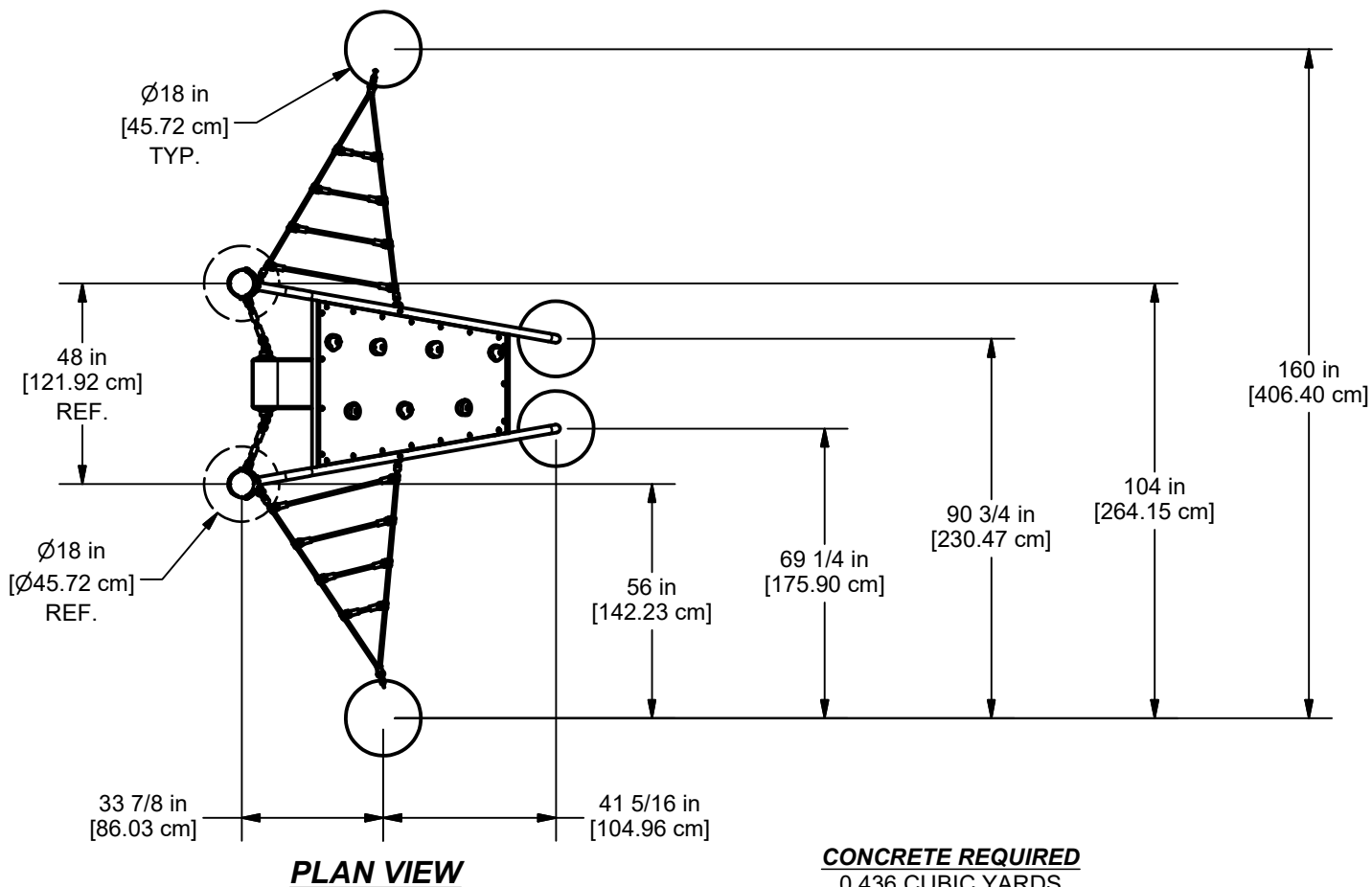
BigToys®

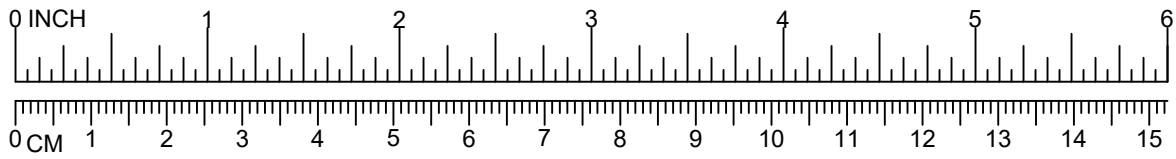
A PLAYCORE Company

COMPONENTS SHOWN IN
HIDDEN LINES ARE SOLD SEPARATELY

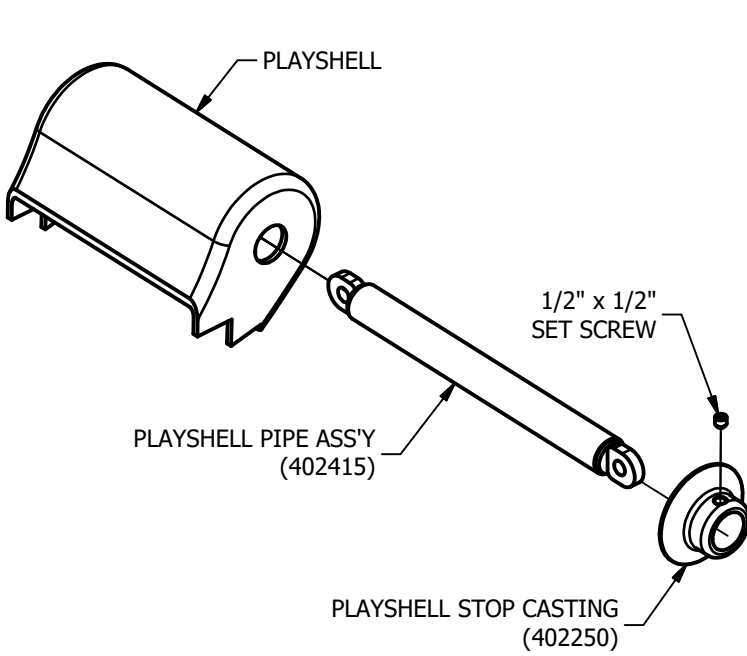
SHEET 3 OF 7

BT464 INCLINED CLIMBER

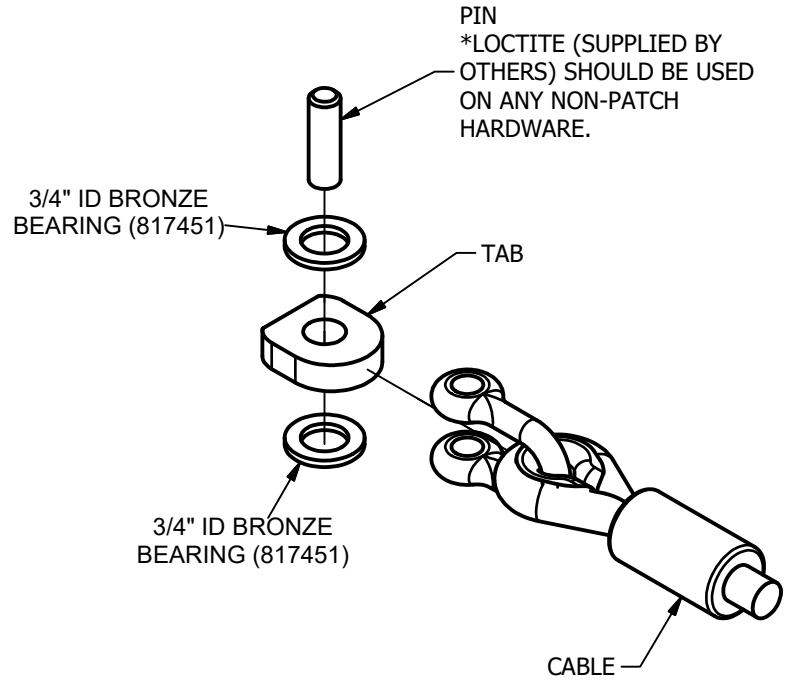




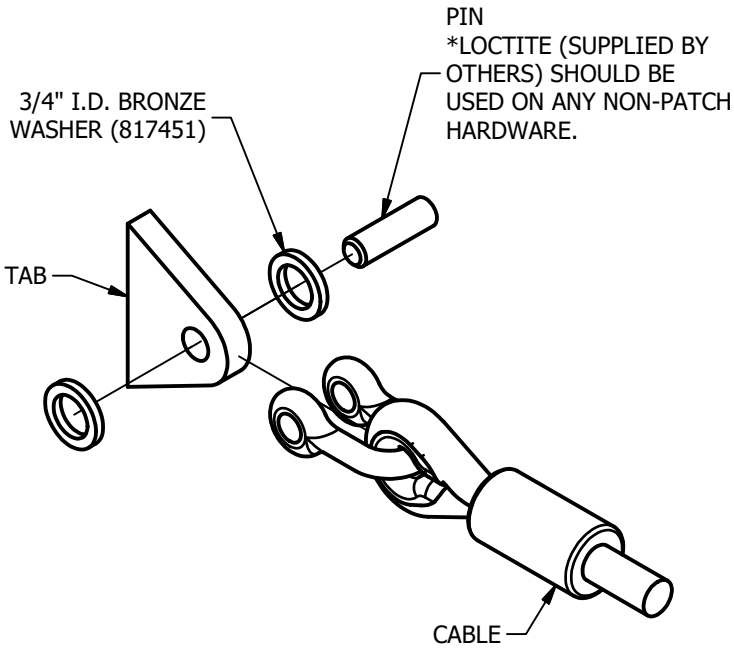
BT464 INCLINED CLIMBER



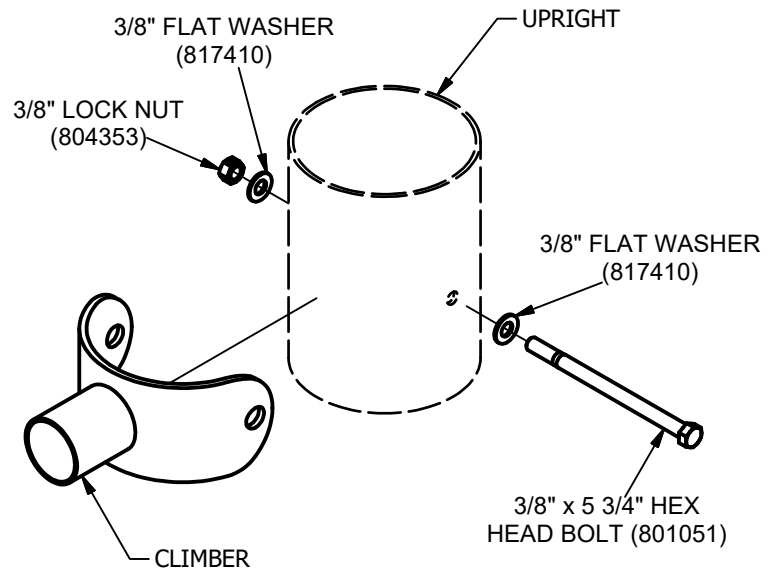
001



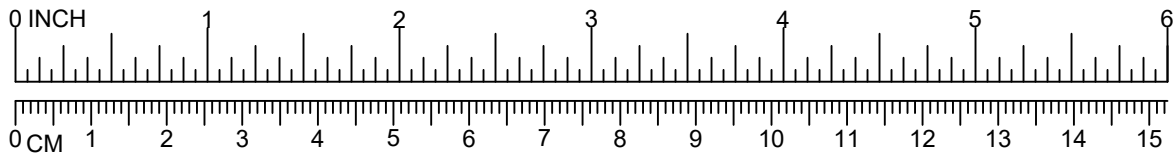
003



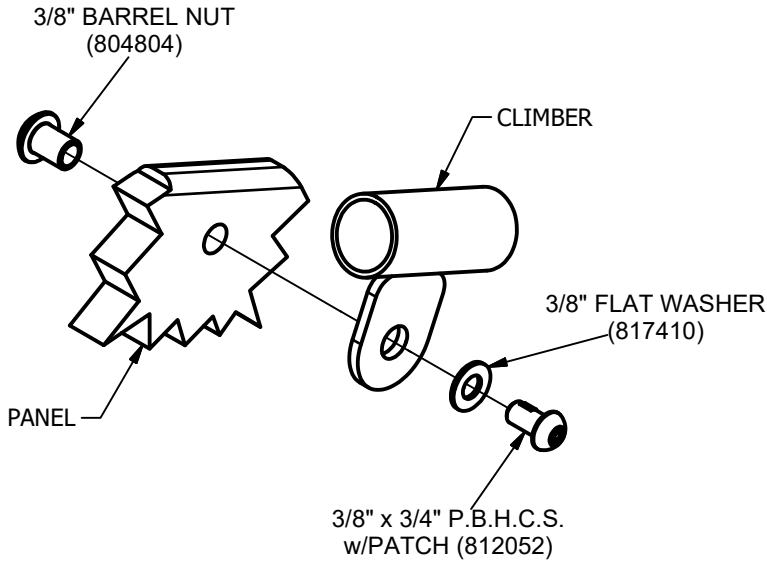
355



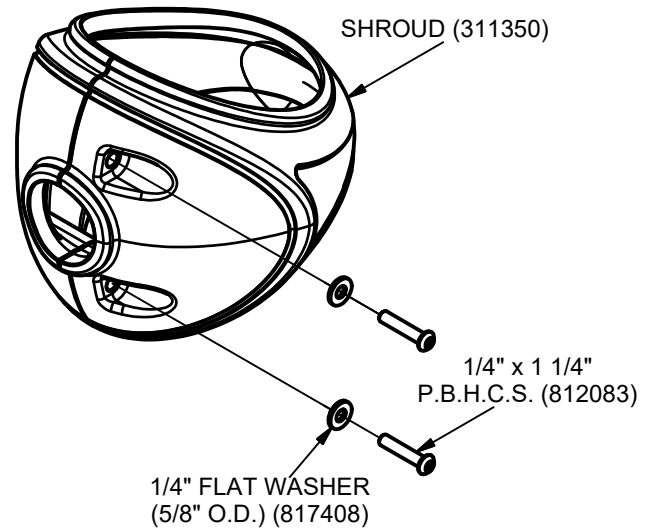
601



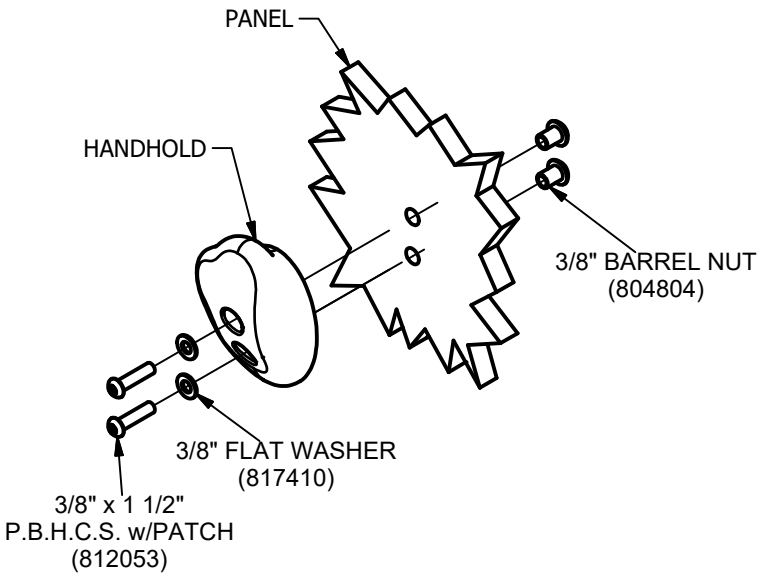
BT464 INCLINED CLIMBER



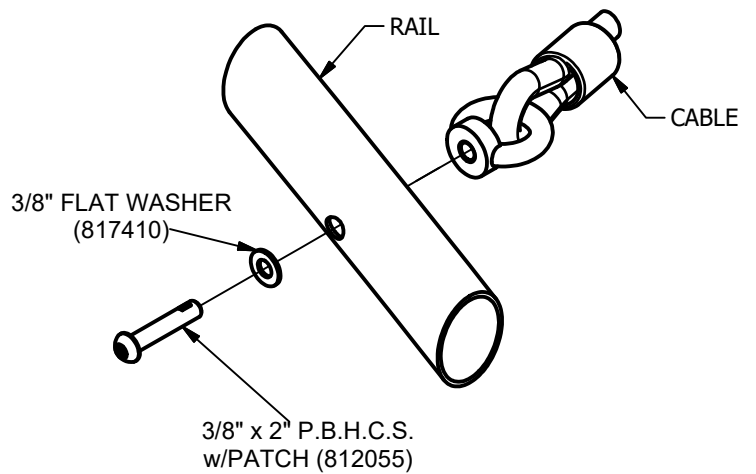
602



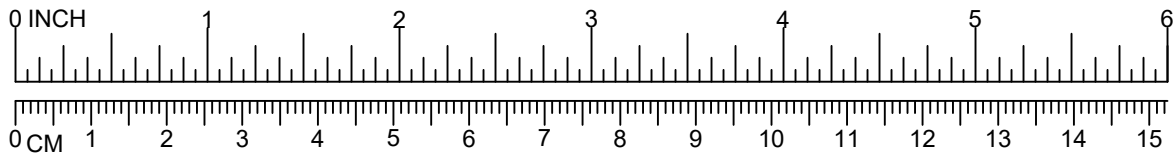
603



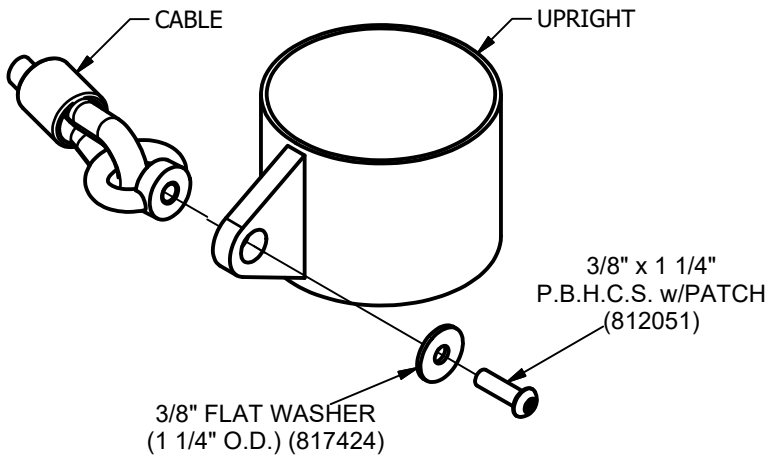
604



608



BT464 INCLINED CLIMBER



611

BT467 ACTIVE LINK

Parts List		
DESCRIPTION	QTY	PART NUMBER
CABLE	1	308254
CABLE PIPE	1	311428
SMALL HDPE PIPE	1	311430
LARGE HDPE PIPE	1	311433
SUPPORT PIPE 1	1	311446
SUPPORT PIPE 2	1	311443
SUPPORT PIPE 3	1	311440
SUPPORT PIPE 4	1	311436
BOTTOM RAIL	1	311449
TOP RAIL	1	311453
FIN HDPE	5	311455
ROUND PIPE 1	2	311484
ROUND PIPE 2	1	311483
ROUND PIPE 3	1	311482
ROUND PIPE 4	1	311481
LARGE HDPE	1	311514
HARDWARE COMPLETE	1	311512
SHROUD	4	311350
1/4" x 1 1/4" P.B.H.C.S.	8	812083
1/4" FLAT WASHER (5/8" O.D.)	8	817408
3/8" x 3/4" P.B.H.C.S. w/PATCH	21	812052
3/8" x 1" P.B.H.C.S. w/PATCH	7	812050
3/8" x 1 3/4" P.B.H.C.S. w/PATCH	1	812054
3/8" x 2" P.B.H.C.S. w/PATCH	6	812055
3/8" x 5 3/4" HEX HEAD BOLT	4	801051
3/8" LOCK WASHER	7	817334
3/8" FLAT WASHER	41	817410
3/8" ACORN NUT	5	804002
3/8" LOCK NUT	4	804353
3/8" BARREL NUT	28	804804

Unless Otherwise Specified, All Units of Measure are Each

**Items listed below Hardware Complete line are included with Hardware Complete Number*

Warning: During Installation, Hardware And Small Parts Are Choking Hazards For Young Children. Store Unused Parts Appropriately Until Assembly Is Completed. Once Assembly Is Completed, Remove Any Unused Parts From The Play Environment And Dispose/Save Them In A Secure Location. Any bolt end protruding more than two full threads beyond the face of the nut causes risk of clothing entanglement.

Promptly cut-off flush, file smooth, and treat to prevent corrosion.

Note: Peen Tee-Nuts and Flatwashers to match radius of pipe after assembly is complete.

Note: Loctite (supplied by others) should be used on any non-patch hardware.

BT467 ACTIVE LINK

INSTALLATION INSTRUCTIONS:

1. Dig footing holes as shown in Elevation and Plan Views. Refer to Top View for correct Upright and orientation.
2. Attach Bottom Rail to Uprights using 3/8" x 5 3/4" Hex Head Bolt, 3/8" Flat Washer, and 3/8" Lock Nut. See Detail 601.
3. Attach Top Rail to Uprights using 3/8" x 5 3/4" Hex Head Bolt, 3/8" Flat Washer, and 3/8" Lock Nut. See Detail 601.
4. Attach Fin HDPE to Support Pipes 1,2,3, and 4 using 3/8" x 3/4" P.B.H.C.S w/Patch, 3/8" Flat Washer, and 3/8" Barrel Nut. See Detail 602.
5. Attach Large HDPE to Large HDPE Pipe and Small HDPE Pipe using 3/8" x 3/4" P.B.H.C.S w/Patch, 3/8" Flat Washer, and 3/8" Barrel Nut. See Detail 602.
6. Attach Round Pipe 1,2,3, and 4 to Support Pipe 1,2,3,4 using 3/8" x 2" P.B.H.C.S w/Patch, 3/8" Flat Washer, and 3/8" Acorn Nut. See Detail 607.
7. Attach Round Pipe 1 to Cable Pipe using 3/8" x 2" P.B.H.C.S w/Patch, 3/8" Flat Washer, and 3/8" Acorn Nut. See Detail 607.
8. Attach Support Pipe 1 and 3 to Bottom Rail using 3/8" x 1" P.B.H.C.S w/Patch, 3/8" Lock Washer, and 3/8" Barrel Nut. See Detail 430.
9. Attach Cable Pipe to Bottom Rail using 3/8" x 1" P.B.H.C.S w/Patch, 3/8" Lock Washer, and 3/8" Barrel Nut. See Detail 430.
10. Attach Support Pipe 2, 4, to Top Rail using 3/8" x 1" P.B.H.C.S w/Patch, 3/8" Lock Washer, and 3/8" Barrel Nut. See Detail 430.
11. Attach Large and Small HDPE Pipe to Top Rail using 3/8" x 1" P.B.H.C.S w/Patch, 3/8" Lock Washer, and 3/8" Barrel Nut. See Detail 430.
12. Attach Cable to Cable Pipe using 3/8" x 2" P.B.H.C.S w/Patch, 3/8" Flat Washer. See Detail 608.
13. Attach Cable to Bottom Rail using 3/8" x 1 3/4" P.B.H.C.S w/Patch, 3/8" Flat Washer. See Detail 609.
14. Attach Shroud to Uprights using 1/4" x 1 1/4" P.B.H.C.S and 1/4" Flat Washer (5/8" O.D.). See Detail 603.
15. Plumb and level the entire assembly and tighten all fasteners.

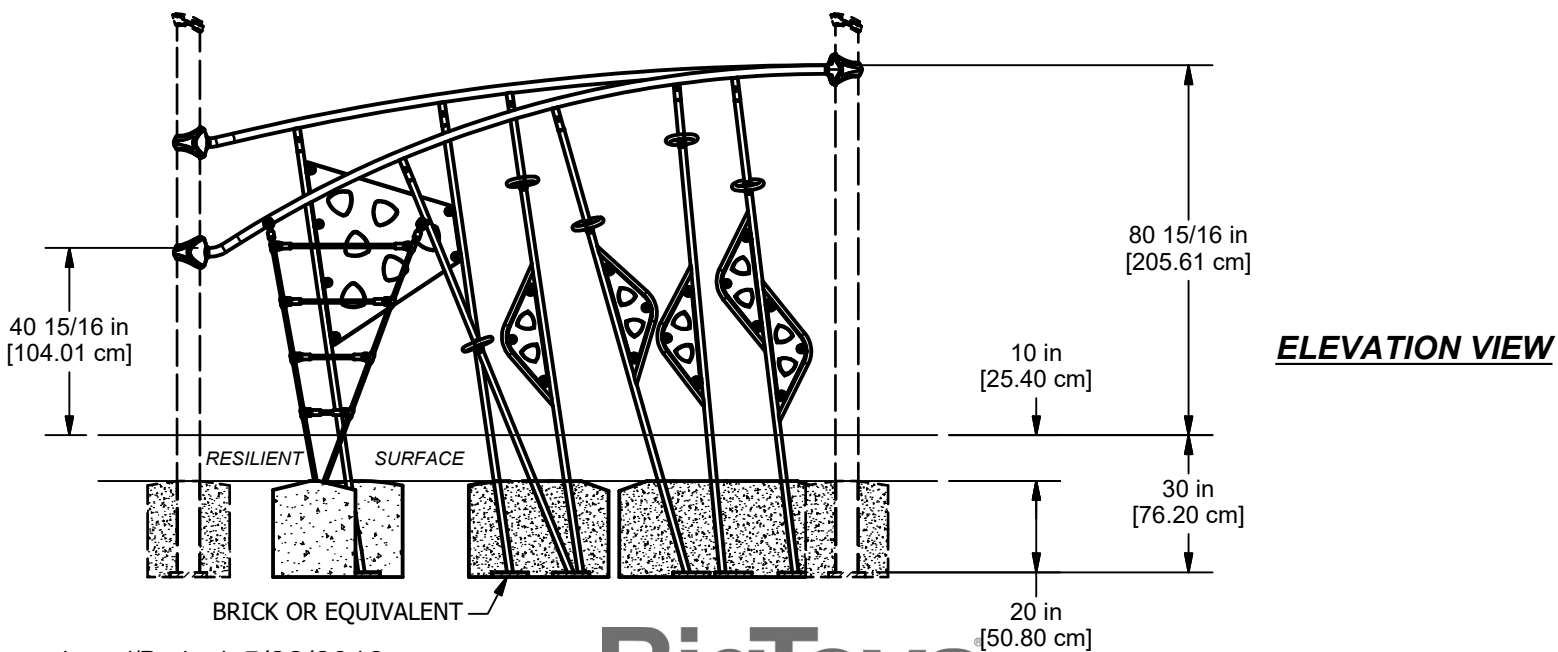
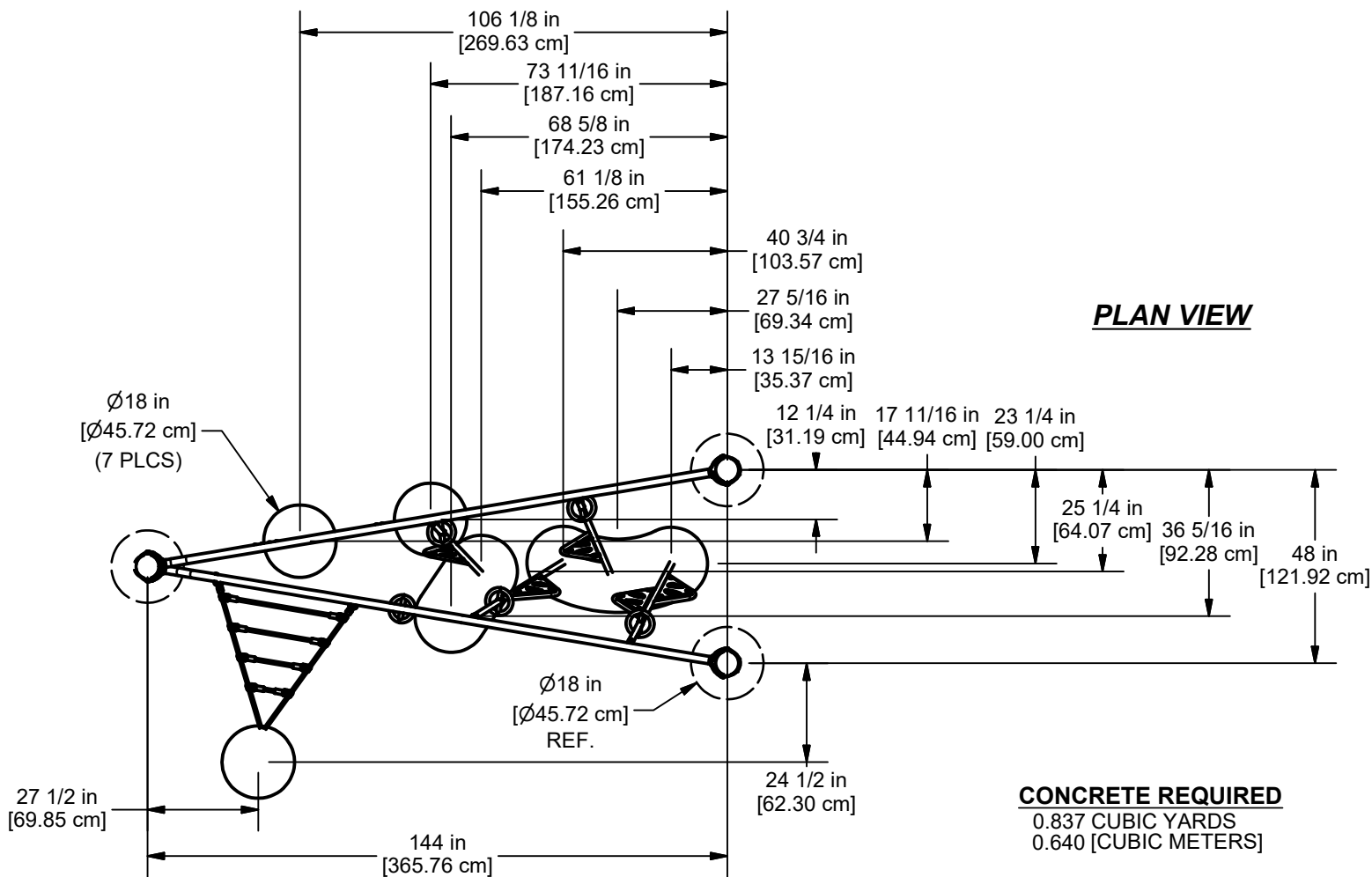
IMPORTANT! Avoid creating any gaps between the components which fall between 3 1/2" and 9". It has been shown that such gaps create entrapment points which can trap a child and cause injury.

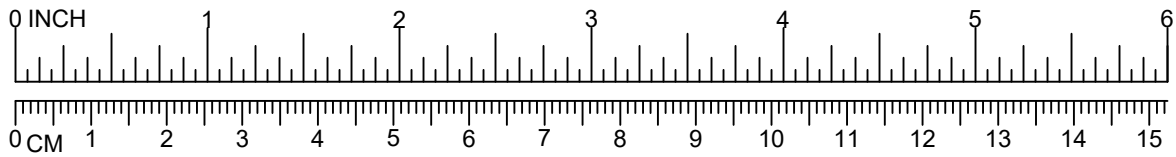
16. After entire unit is assembled pour concrete footings within 4" to the top and taper away from post for water drainage. Allow to cure at least 48 hours before use. Temporary bracing may be required until concrete cures.
17. When the structure is finished and satisfactory, eliminate sharp points and sharp edges (burring) on installed hardware like bolts, nuts, etc. Install resilient surfacing material within the use zone of play structure in accordance with ASTM specifications F1292 appropriate for the fall height of each structure. Refer to the safety guidelines.

MAINTENANCE PROCEDURE:

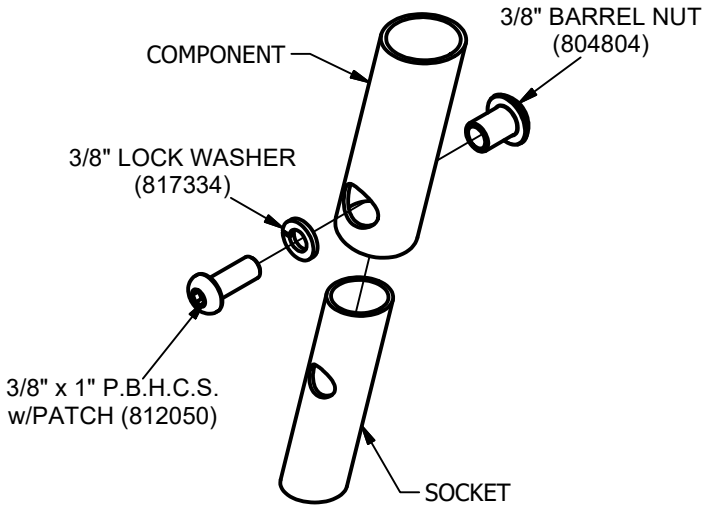
Periodically check hardware for tightness, and tighten as necessary. Always check all parts for breakage or wear, and immediately put equipment out of service until any faulty parts found are repaired or replaced. Also Check all metal parts for rust, paint loss and touch-up if necessary with paint. Check for welded areas and verify integrity. Check periodically resilient surfacing for appropriate depth and remove extraneous materials that could cause injury, infection, or disease. Maintain detailed installation, inspection, maintenance, and repair records for each public-use playground equipment.

BT467 ACTIVE LINK

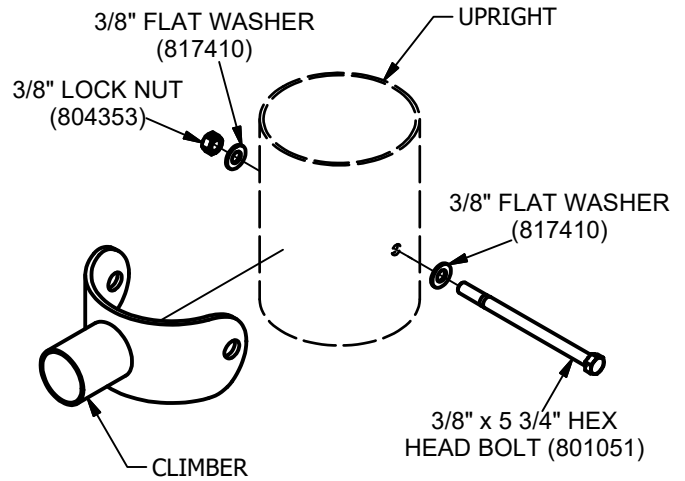




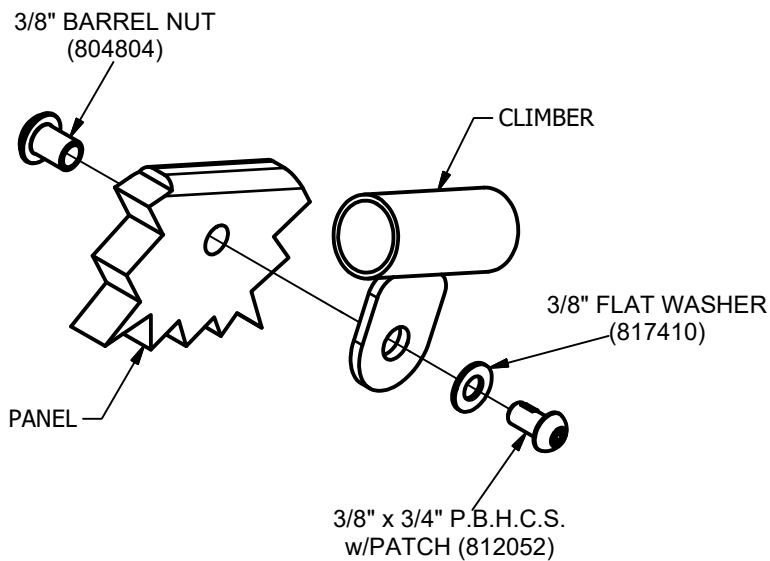
BT467 ACTIVE LINK



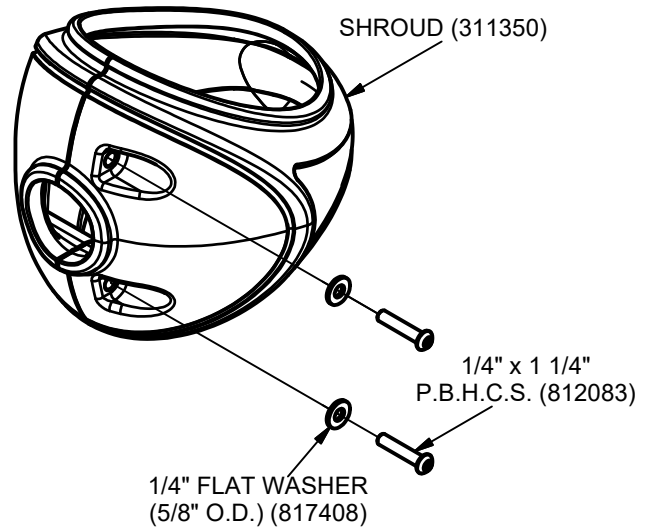
430



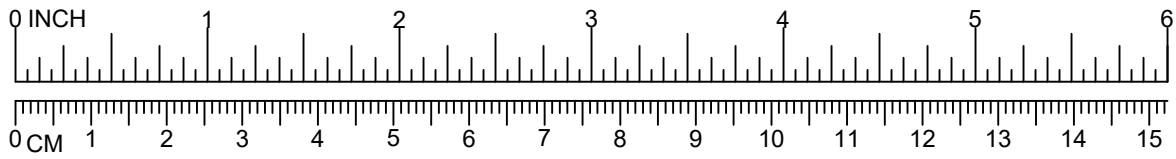
601



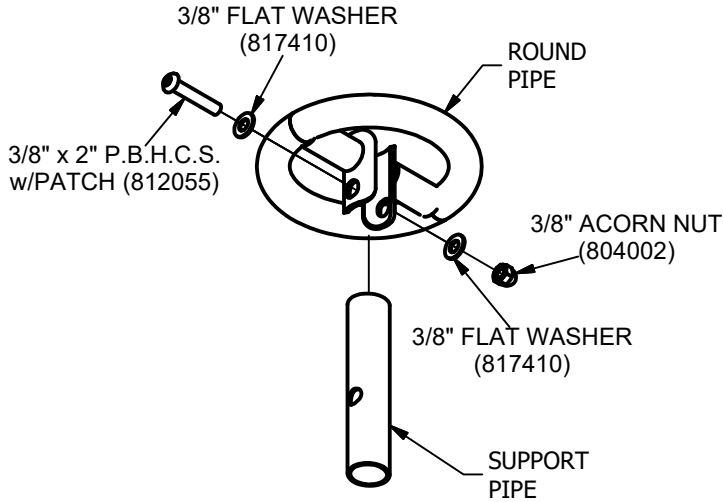
602



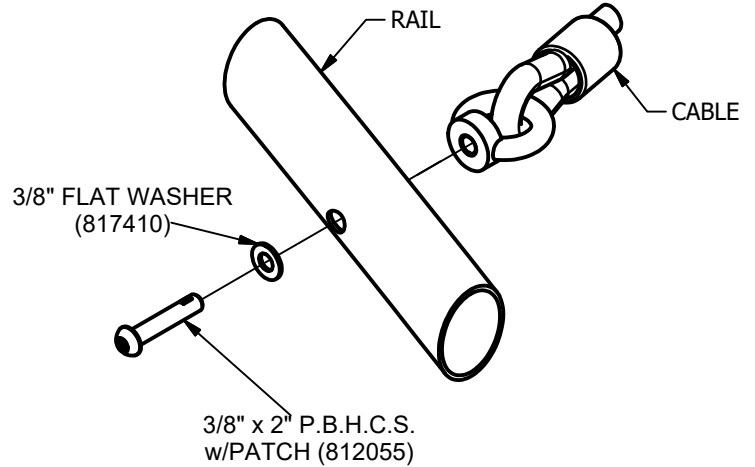
603



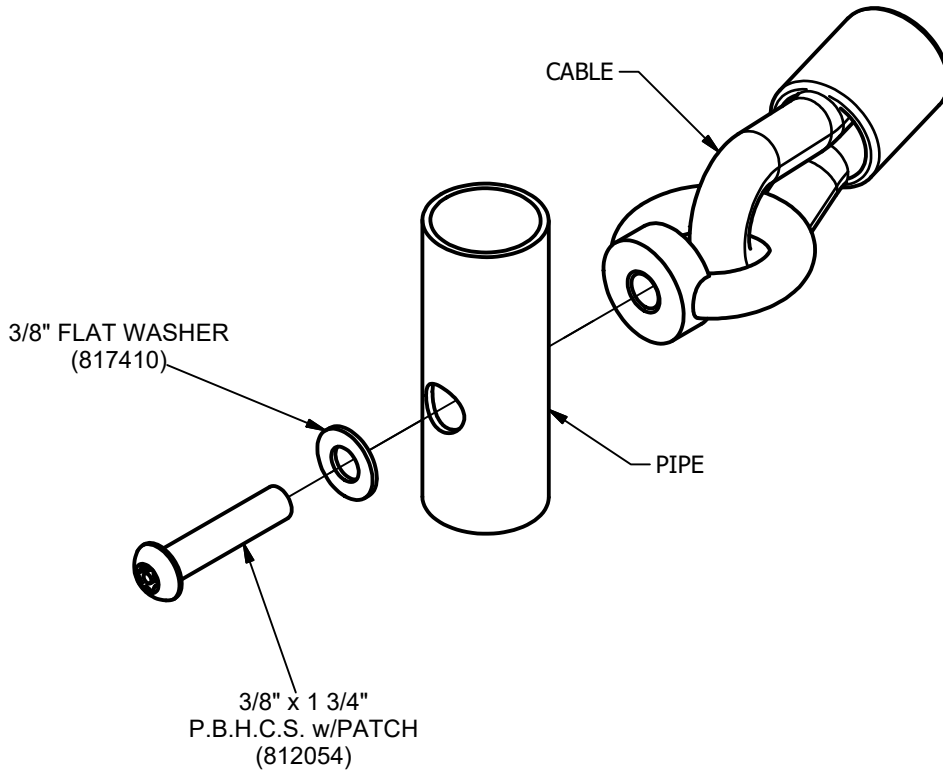
BT467 ACTIVE LINK



607



608



609

BT470 SUSPENDED PLAYSHELL

Parts List		
DESCRIPTION	QTY	PART NUMBER
PLAYSHELL	2	401549
PLAYSHELL PIPE	4	402415
HARDWARE COMPLETE	1	311568
14 15/16" CABLE	4	309082
20 15/16" CABLE	4	309083
STOP CASTING ASSEMBLY	8	402250
3/4" ID BRONZE BEARING	32	817451

*Unless Otherwise Specified, All Units of Measure are Each
Items listed below Hardware Complete line are included with Hardware Complete Number*

Warning: During Installation, Hardware And Small Parts Are Choking Hazards For Young Children. Store Unused Parts Appropriately Until Assembly Is Completed. Once Assembly Is Completed, Remove Any Unused Parts From The Play Environment And Dispose/Save Them In A Secure Location. Any bolt end protruding more than two full threads beyond the face of the nut causes risk of clothing entanglement. Promptly cut-off flush, file smooth, and treat to prevent corrosion.

Note: Peen Tee-Nuts and Flatwashers to match radius of pipe after assembly is complete.

Note: Loctite (supplied by others) should be used on any non-patch hardware.

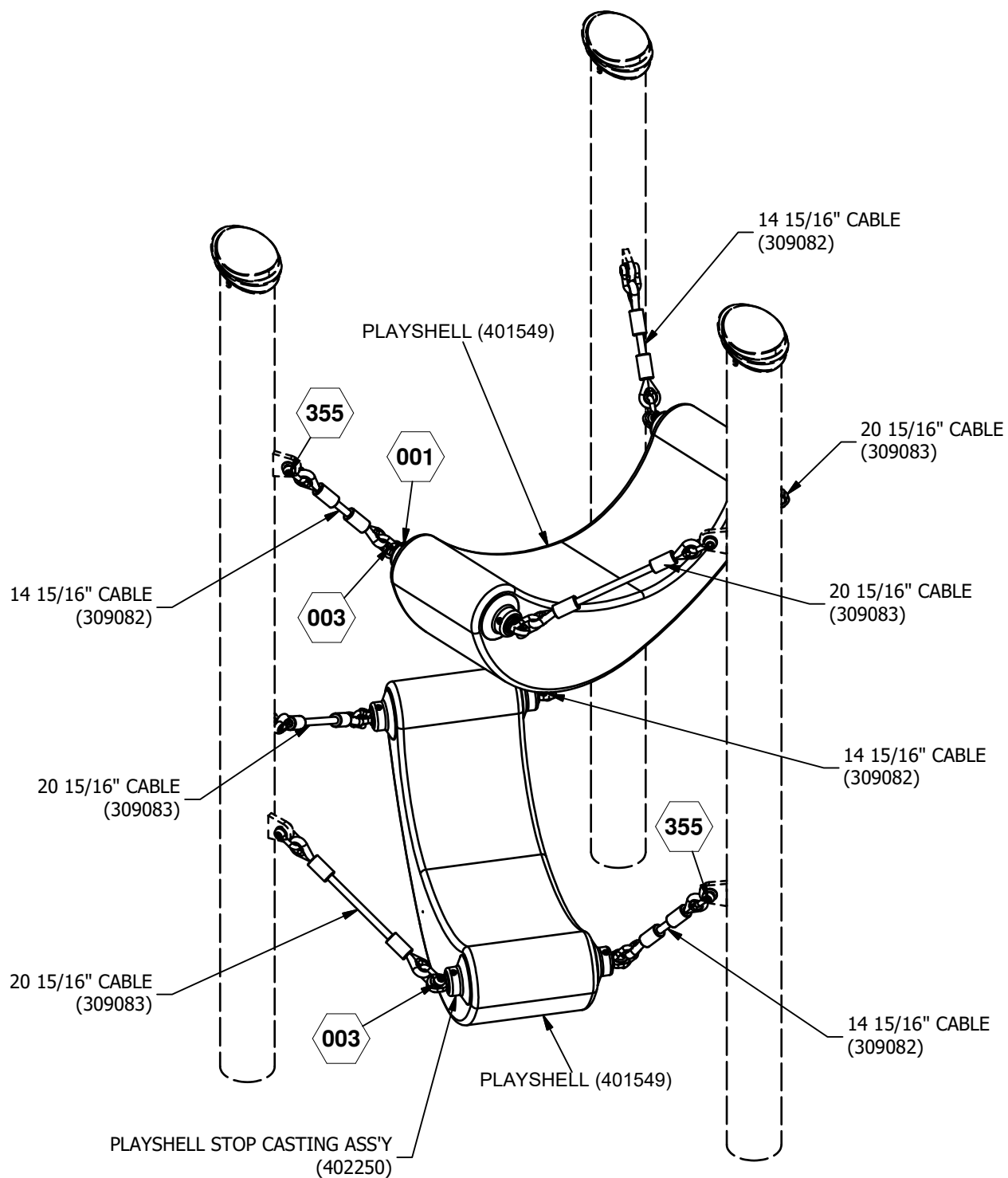
INSTALLATION INSTRUCTIONS:

1. Dig footing holes as shown in Elevation and Plain Views. Refer to Top View for correct Upright and orientation.
2. Locate Playshell and connect Playshell Pipe using Playshell Stop Casting Ass'y. See Detail 001.
3. Attach 14 15/16" Cable to Playshell. See Detail 003. **NOTE:** See Finished View for correct cable location.
4. On other side of Playshell attach 20 15/16" Cable to Playshell. See Detail 003. **NOTE:** See Finished View for correct cable location.
5. Attach 14 15/16" Cable to Tabs located on Uprights. See Detail 355. **NOTE:** See Finished View for correct cable location.
6. Attach 20 15/16" Cable to Tabs located on Uprights. See Detail 355. **NOTE:** See Finished View for correct cable location.
7. Plumb and level the entire assembly and tighten all fasteners.
8. After entire unit is assembled pour concrete footings within 4" to the top and taper away from post for water drainage. Allow to cure at least 48 hours before use. Temporary bracing may be required until concrete cures.
9. When the structure is finished and satisfactory, eliminate sharp points and sharp edges (burring) on installed hardware like bolts, nuts, etc. Install resilient surfacing material within the use zone of play structure in accordance with ASTM specifications F1292 appropriate for the fall height of each structure. Refer to the safety guidelines.

MAINTENANCE PROCEDURE:

Periodically check hardware for tightness, and tighten as necessary. Always check all parts for breakage or wear, and immediately put equipment out of service until any faulty parts found are repaired or replaced. Also Check all metal parts for rust, paint loss and touch-up if necessary with paint. Check for welded areas and verify integrity. Check periodically resilient surfacing for appropriate depth and remove extraneous materials that could cause injury, infection, or disease. Maintain detailed installation, inspection, maintenance, and repair records for each public-use playground equipment.

BT470 SUSPENDED PLAYSHELL



FINISHED ASSEMBLY

 = INSTALLATION DETAIL

Issued/Revised: 2/22/2013

COMPONENTS SHOWN IN
HIDDEN LINES ARE SOLD SEPARATELY
SHEET 2 OF 4

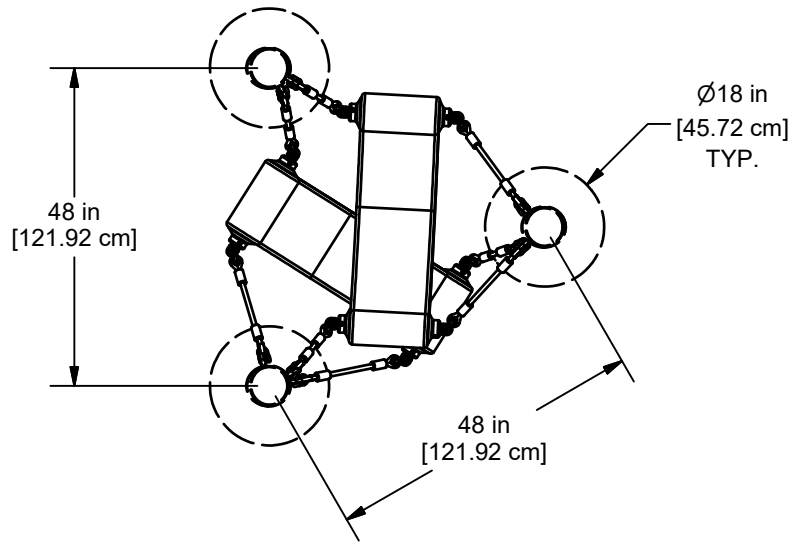
1-866-814-8697

BigToys®

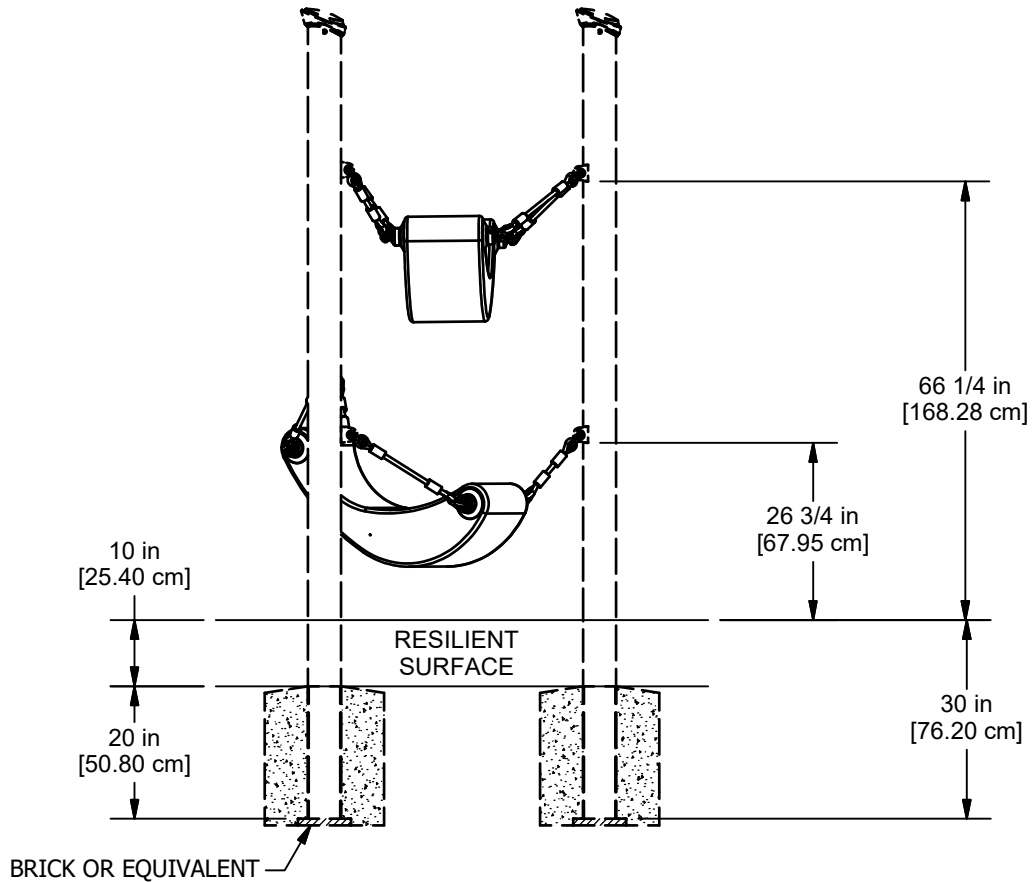
A PLAYCORE Company

bigtoys.com

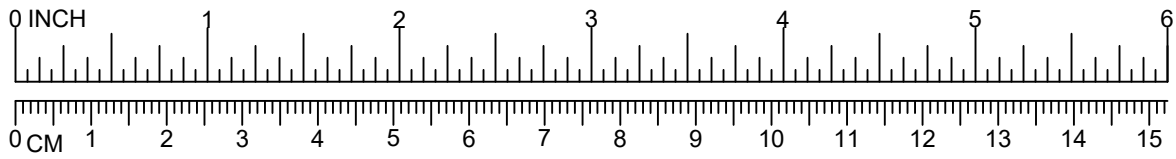
BT470 SUSPENDED PLAYSHELL



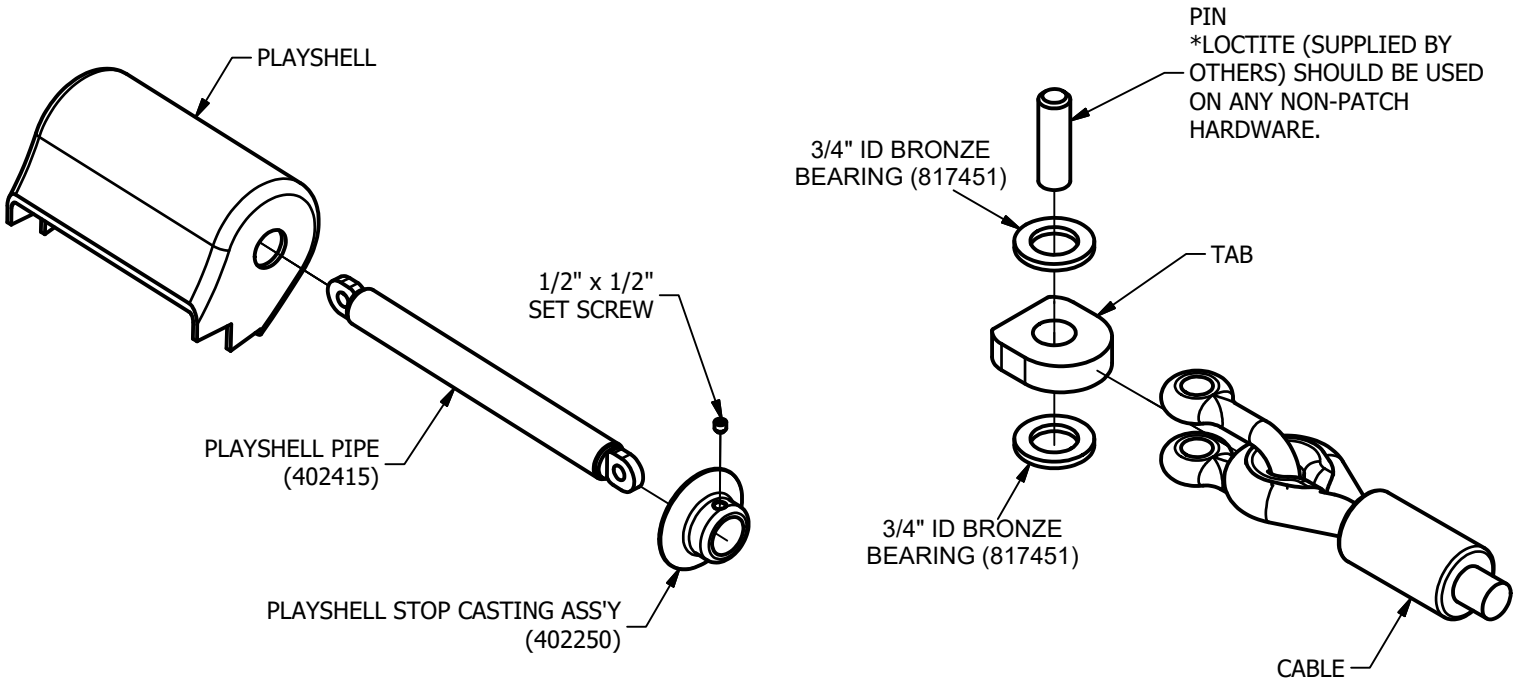
PLAN VIEW



ELEVATION VIEW

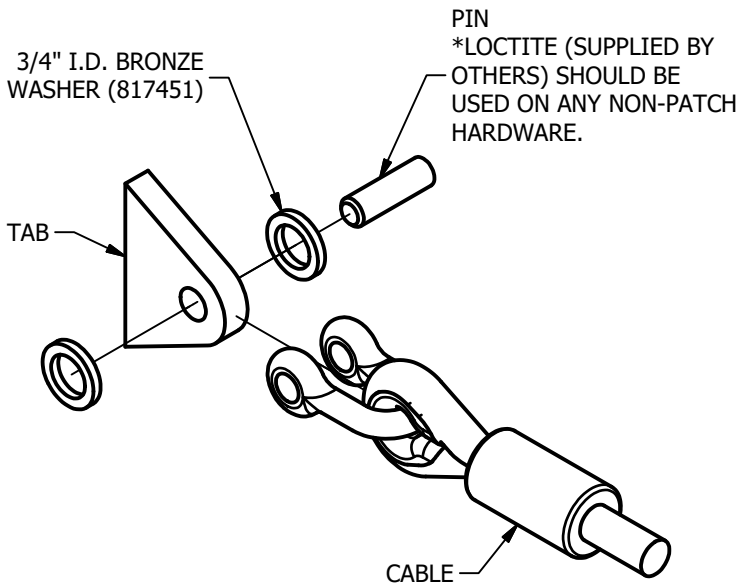


BT470 SUSPENDED PLAYSHELL



001

003



355

BT471 SINGLE PLAYSHELL

Parts List		
DESCRIPTION	QTY	PART NUMBER
PLAYSHELL	1	401549
PLAYSHELL PIPE	2	402415
TOP PIPE	1	402438
BOTTOM PIPE	1	402440
HARDWARE COMPLETE	1	404379
14 15/16" CABLE	2	309082
22 1/2" CABLE	2	309153
SHROUD	2	311350
STOP CASTING ASSEMBLY	4	402250
1/4" x 1 1/4" P.B.H.C.S.	4	812083
1/4" FLAT WASHER (5/8" O.D.)	4	817408
3/8" x 5 3/4" HEX HEAD BOLT	2	801051
3/8" FLAT WASHER	4	817410
3/8" LOCK NUT	2	804353
3/4" ID BRONZE BEARING	16	817451

*Unless Otherwise Specified, All Units of Measure are Each
Items listed below Hardware Complete line are included with Hardware Complete Number*

Warning: During Installation, Hardware And Small Parts Are Choking Hazards For Young Children. Store Unused Parts Appropriately Until Assembly Is Completed. Once Assembly Is Completed, Remove Any Unused Parts From The Play Environment And Dispose/Save Them In A Secure Location. Any bolt end protruding more than two full threads beyond the face of the nut causes risk of clothing entanglement. Promptly cut-off flush, file smooth, and treat to prevent corrosion.

Note: Peen Tee-Nuts and Flatwashers to match radius of pipe after assembly is complete.

Note: Loctite (supplied by others) should be used on any non-patch hardware.

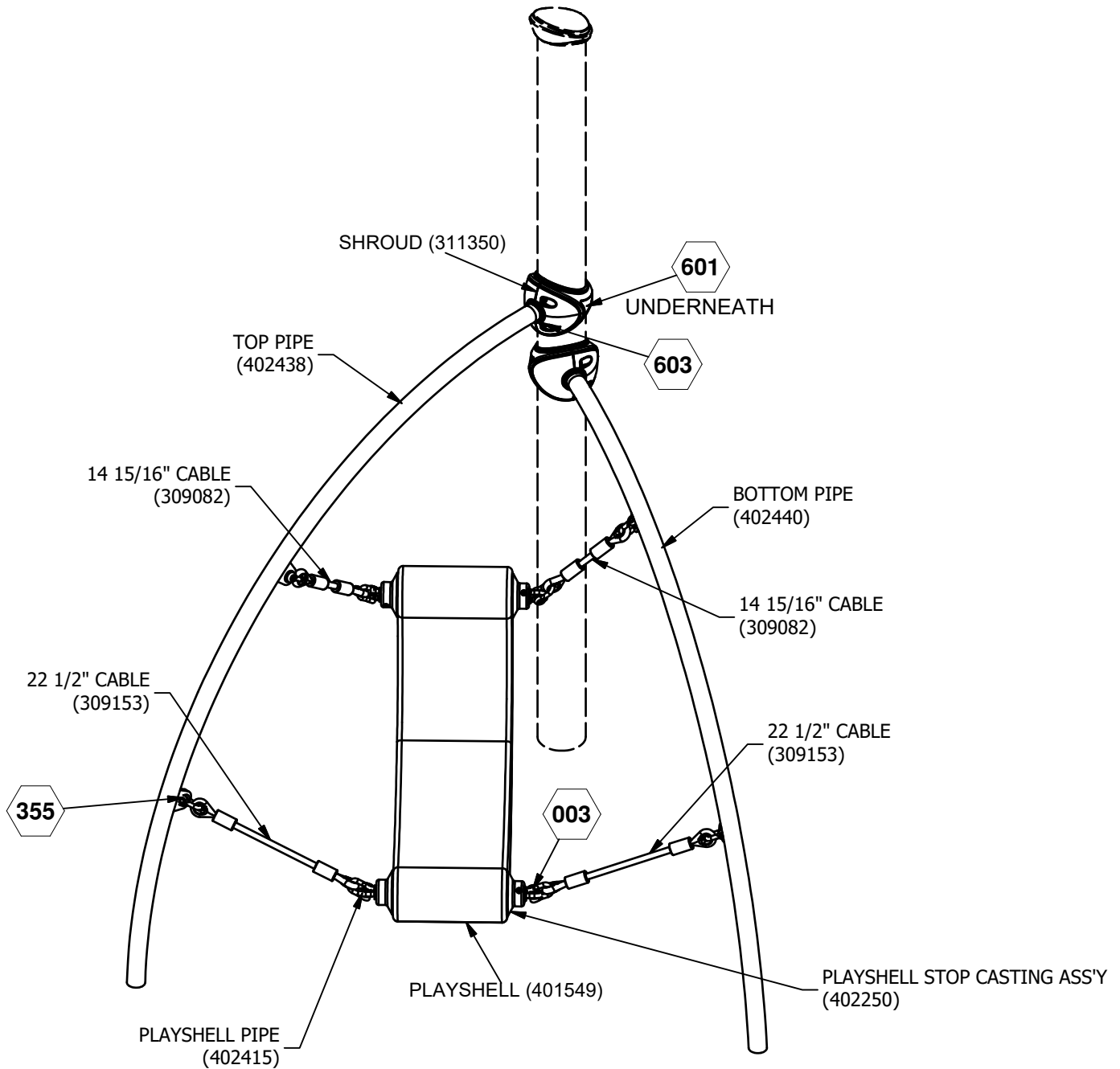
INSTALLATION INSTRUCTIONS:

1. Dig footing holes as shown in Elevation and Plain Views. Refer to Top View for correct Upright and orientation.
2. Attach Top Pipe and Bottom Pipe to Upright using 3/8" x 5 3/4" Hex Head Bolt, 3/8" Flat Washer, and 3/8" Lock Nut. See Detail 601.
3. Attach Shrouds to Upright using 1/4" x 1 1/4" P.B.H.C.S. w/Patch and 1/4" Flat Washer (5/8" O.D.). See Detail 603.
4. Locate Playshell and connect Playshell Pipe using Playshell Stop Casting Ass'y. See Detail 001.
5. Attach 14 15/16" Cable to Playshell. See Detail 003. **NOTE:** See Finished Assembly view for correct cable location.
6. Attach 14 15/16" Cable to Tabs located on Uprights. See Detail 355. **NOTE:** See Finished Assembly view for correct cable location.
7. Attach 22 1/2" Cable to Bottom of Playshell. See Detail 003. **NOTE:** See Finished Assembly view for correct cable location.
8. Attach 22 1/2" Cable to Tabs located on Uprights. See Detail 355. **NOTE:** See Finished Assembly view for correct cable location.
9. Plumb and level the entire assembly and tighten all fasteners.
10. After entire unit is assembled pour concrete footings within 4" to the top and taper away from post for water drainage. Allow to cure at least 48 hours before use. Temporary bracing may be required until concrete cures.
11. When the structure is finished and satisfactory, eliminate sharp points and sharp edges (burring) on installed hardware like bolts, nuts, etc. Install resilient surfacing material within the use zone of play structure in accordance with ASTM specifications F1292 appropriate for the fall height of each structure. Refer to the safety guidelines.

BT471 SINGLE PLAYSHELL

MAINTENANCE PROCEDURE:

Periodically check hardware for tightness, and tighten as necessary. Always check all parts for breakage or wear, and immediately put equipment out of service until any faulty parts found are repaired or replaced. Also Check all metal parts for rust, paint loss and touch-up if necessary with paint. Check for welded areas and verify integrity. Check periodically resilient surfacing for appropriate depth and remove extraneous materials that could cause injury, infection, or disease. Maintain detailed installation, inspection, maintenance, and repair records for each public-use playground equipment.



 = INSTALLATION DETAIL

FINISHED ASSEMBLY

COMPONENTS SHOWN IN
HIDDEN LINES ARE SOLD SEPARATELY

Issued/Revised: 2/22/2013

BigToys®

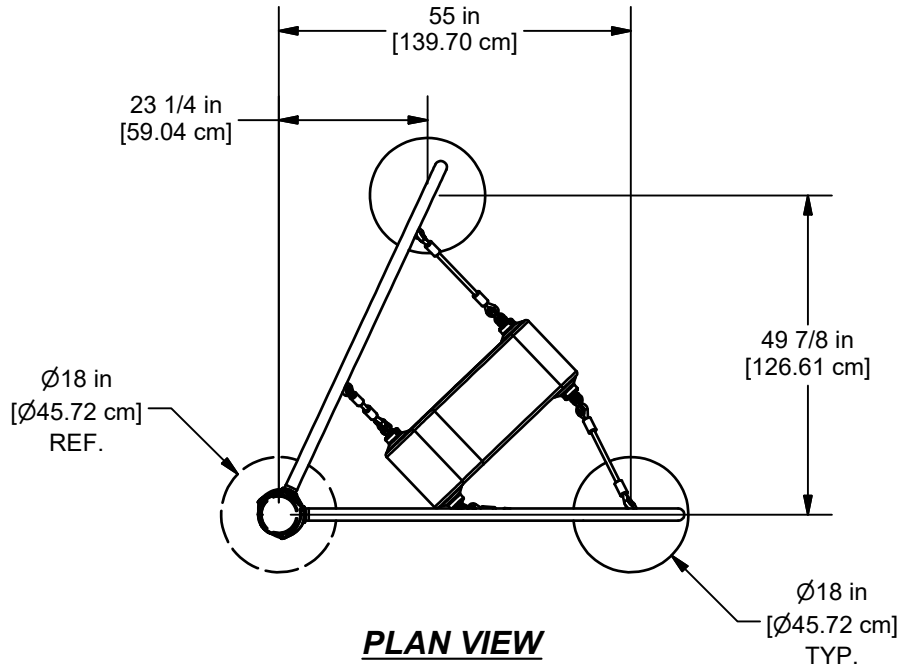
SHEET 2 OF 5

1-866-814-8697

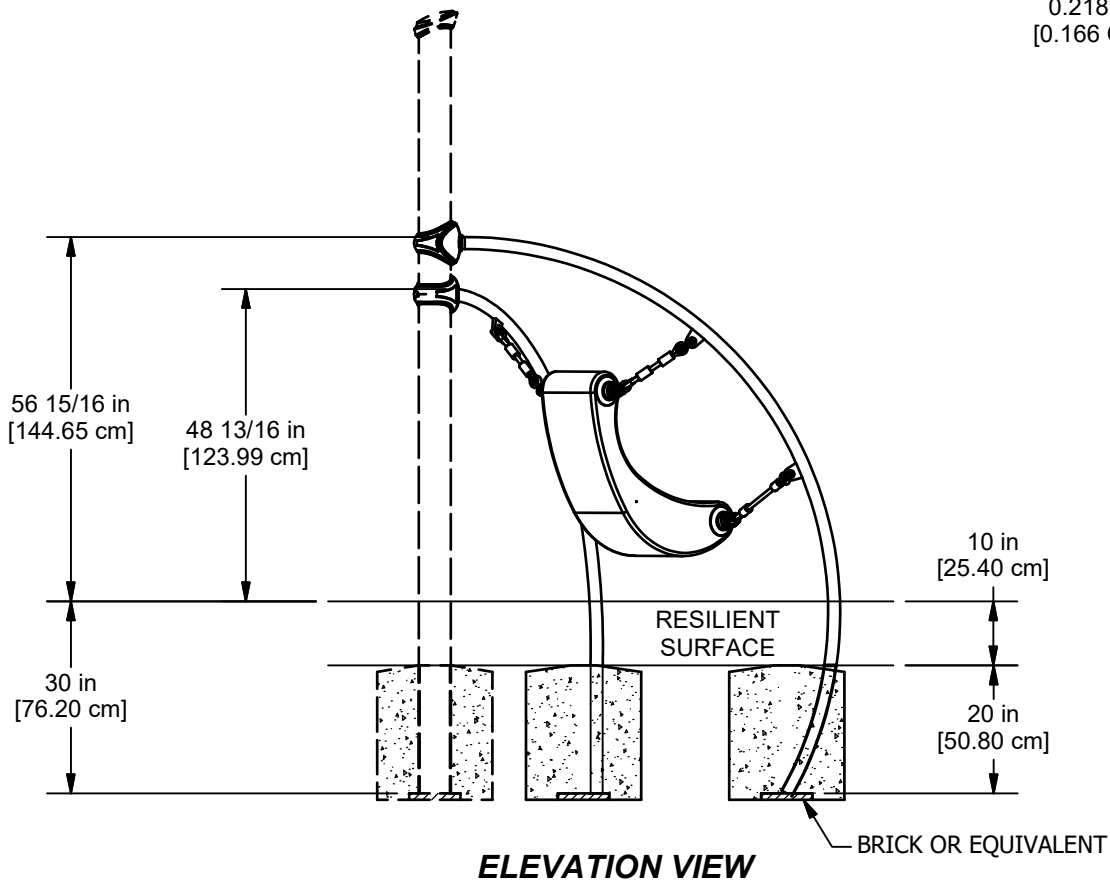
A PLAYCORE Company

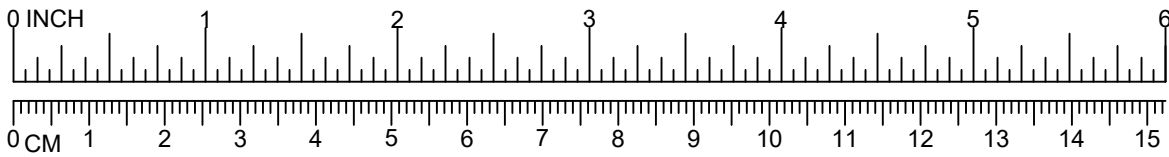
bigtoys.com

BT471 SINGLE PLAYSHELL

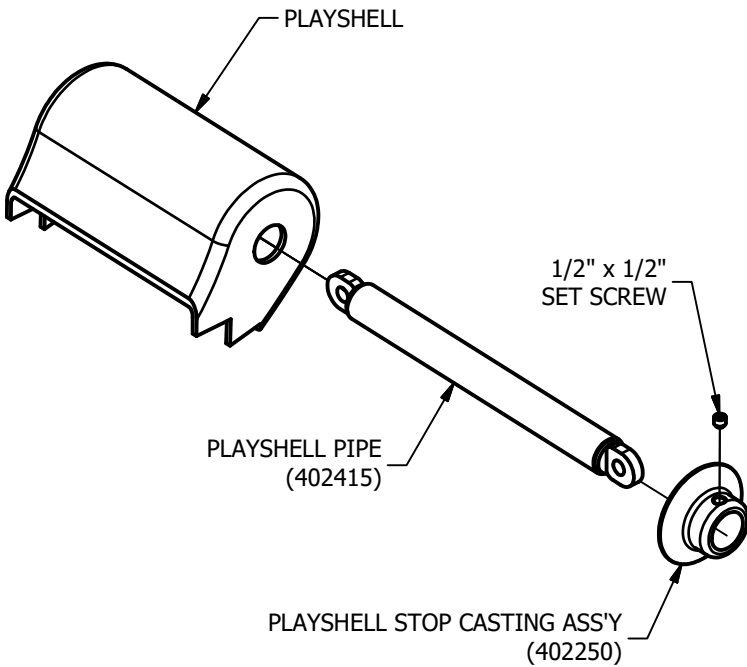


CONCRETE REQUIRED
0.218 CUBIC YARDS
[0.166 CUBIC METERS]

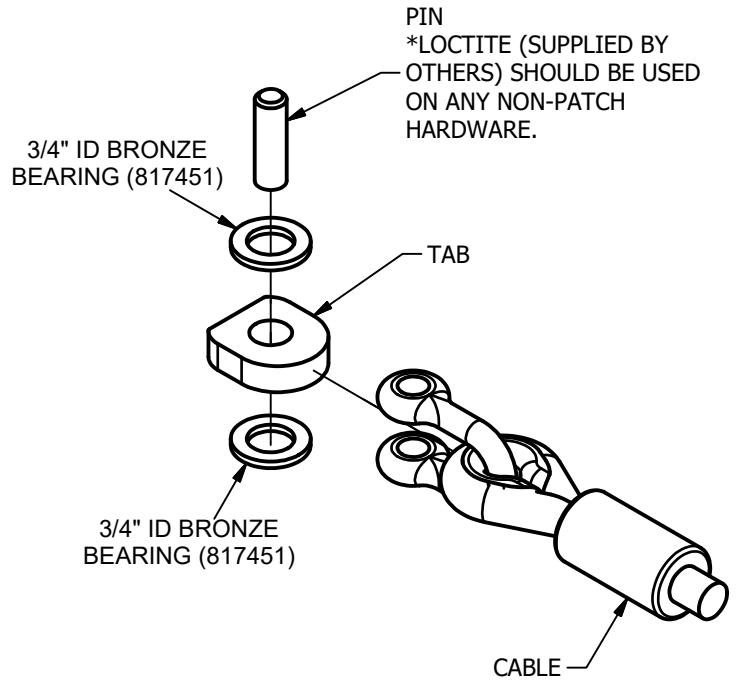




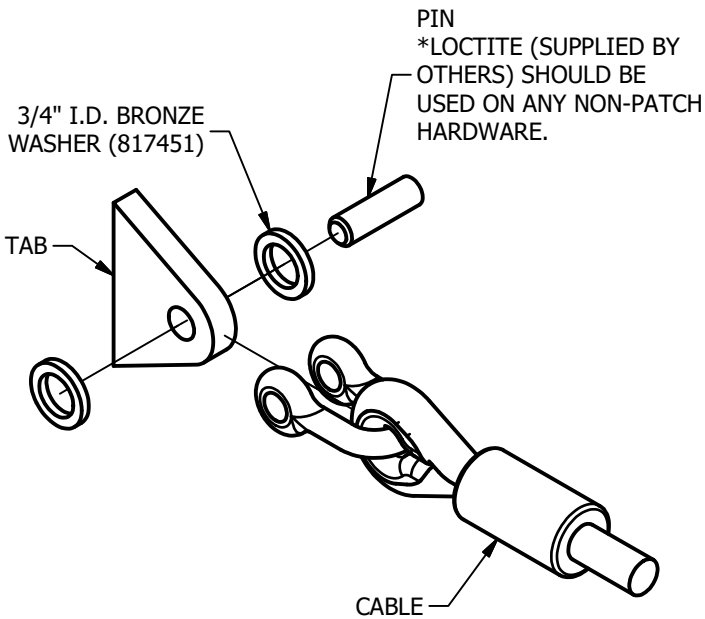
BT471 SINGLE PLAYSHELL



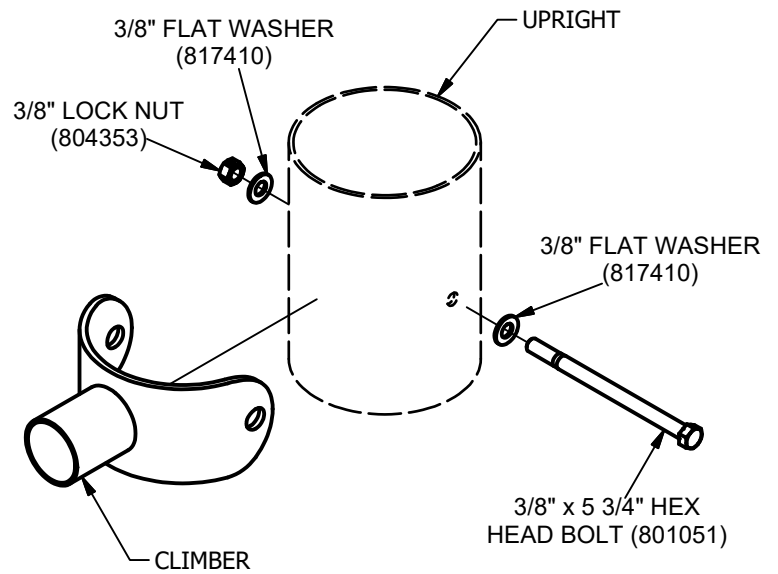
001



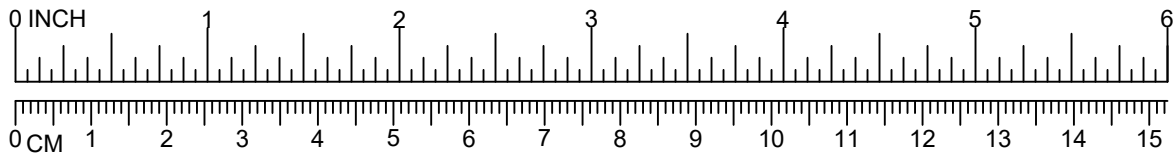
003



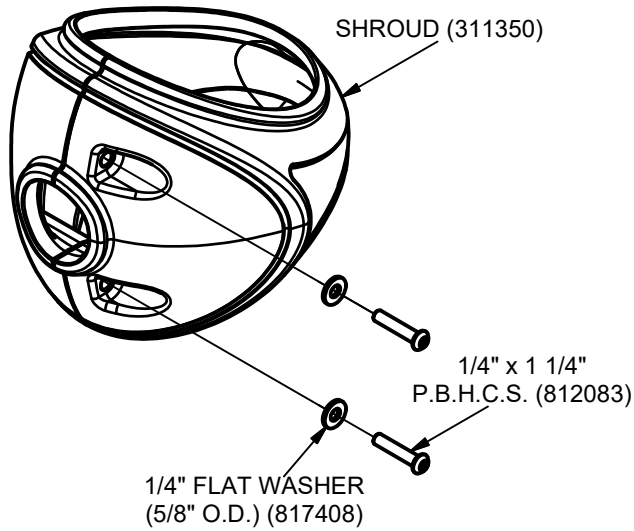
355



601



BT471 SINGLE PLAYSHELL



603

BT473 STRETCHING RING

Parts List		
DESCRIPTION	QTY	PART NUMBER
TOP CLEVIS (2 3/8")	1	158223
TRAPEZE BOTTOM CLEVIS ASS'Y (2 3/8")	1	158227
STRETCHING RING FRAME	1	311607
HARDWARE COMPLETE	1	311608
TRAPEZE RING	1	109
PENDULUM	1	177721
SHROUD	2	311350
1/4" x 1 1/4" P.B.H.C.S.	4	812083
1/4" FLAT WASHER (5/8" O.D.)	4	817408
5/16" HEX JAM NUT	1	804100
3/8" x 1-1/4" SHOULDER BOLT W/PATCH	1	811227
3/8" x 2" CARRIAGE BOLT	2	800256
3/8" x 5 3/4" HEX HEAD BOLT	2	801051
3/8" FLAT WASHER	4	817410
3/8" LOCK NUT	4	804353
1/2" x 2 1/2" HEX HEAD BOLT	1	801200
1/2" LOCKWASHER	1	817342
1/2" HEX NUT	1	804055

Unless Otherwise Specified, All Units of Measure are Each

Items listed below Hardware Complete line are included with Hardware Complete Number

Warning: During Installation, Hardware And Small Parts Are Choking Hazards For Young Children. Store Unused Parts Appropriately Until Assembly Is Completed. Once Assembly Is Completed, Remove Any Unused Parts From The Play Environment And Dispose/Save Them In A Secure Location. Any bolt end protruding more than two full threads beyond the face of the nut causes risk of clothing entanglement.

Promptly cut-off flush, file smooth, and treat to prevent corrosion.

Note: Peen Tee-Nuts and Flatwashers to match radius of pipe after assembly is complete.

Note: Loctite (supplied by others) should be used on any non-patch hardware.

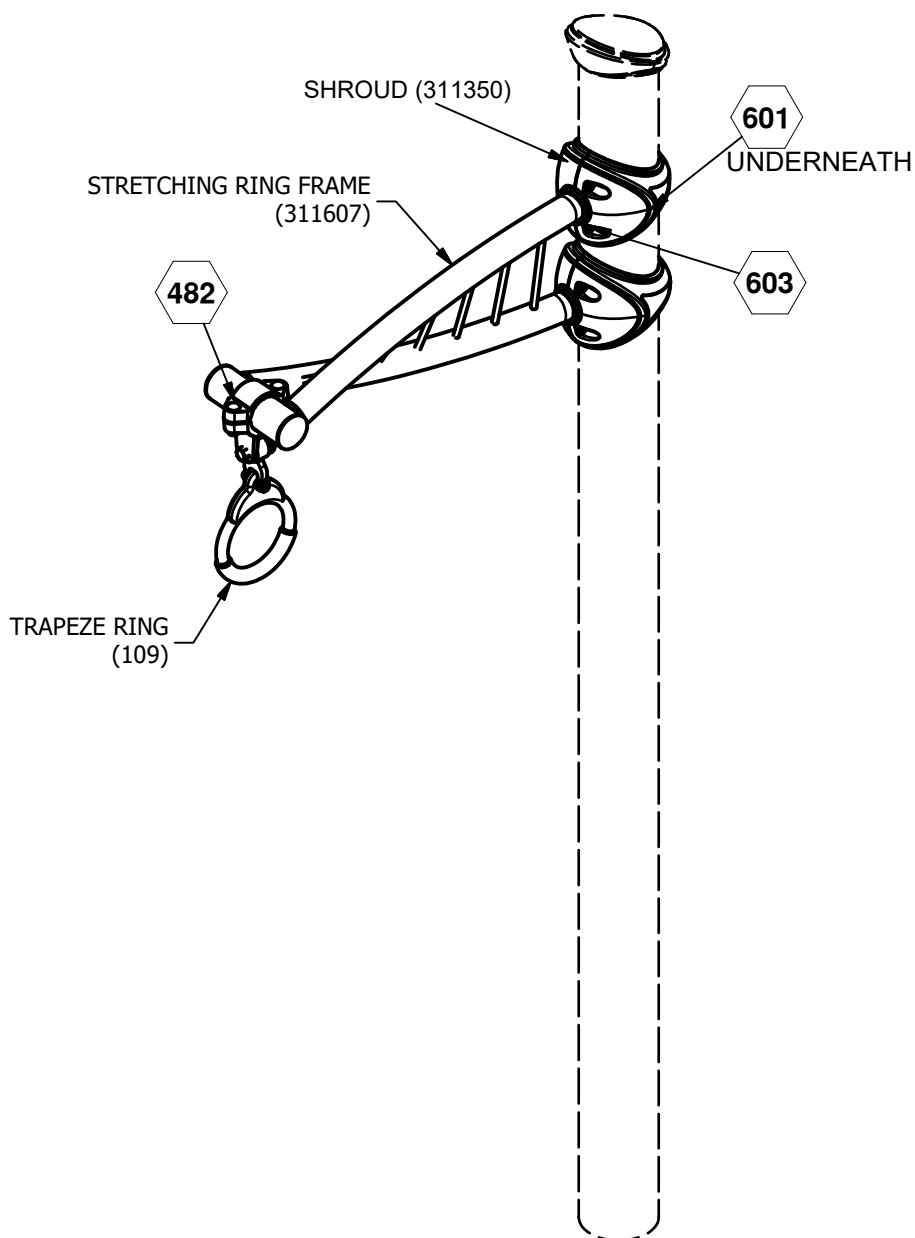
INSTALLATION INSTRUCTIONS:

1. Dig footing holes as shown in Elevation and Plan Views. Refer to Top View for correct Upright and orientation.
2. Attach Top Clevis, Bottom Clevis, Trapeze Pendulum, and Trapeze Ring to Stretching Ring Frame using 3/8" x 2" Carriage Bolt, 3/8" Lock Nut, 1/2" x 2 1/2" Hex Head Bolt., 1/2" Lock Washer, 1/2" Hex Nut, 3/8" x 1 1/4" Shoulder Bolt w/Patch and 5/16" Hex Jam Nut. See Detail 482. **Note: See plain view for spacing.**
3. With sufficient man power, lift Stretching Ring Frame with Clevis connections and attach to posts using 3/8" x 5 3/4" Hex Head Bolt, 3/8" Flat Washer, and 3/8" Lock Nut. See Detail 601.
4. Attach Shroud to Upright using 1/4" x 1 1/4" P.B.H.C.S. and 1/4" Flat Washer (5/8" O.D.). See Detail 603.
5. Plumb and level the entire assembly and tighten all fasteners.
6. When the structure is finished and satisfactory, eliminate sharp points and sharp edges (burring) on installed hardware like bolts, nuts, etc. Install resilient surfacing material within the use zone of play structure in accordance with ASTM specifications F1292 appropriate for the fall height of each structure. Refer to the safety guidelines.

BT473 STRETCHING RING

MAINTENANCE PROCEDURE:

Periodically check hardware for tightness, and tighten as necessary. Always check all parts for breakage or wear, and immediately put equipment out of service until any faulty parts found are repaired or replaced. Also Check all metal parts for rust, paint loss and touch-up if necessary with paint. Check for welded areas and verify integrity. Check periodically resilient surfacing for appropriate depth and remove extraneous materials that could cause injury, infection, or disease. Maintain detailed installation, inspection, maintenance, and repair records for each public-use playground equipment.



 = INSTALLATION DETAIL

Issued/Revised: 3/2/2012

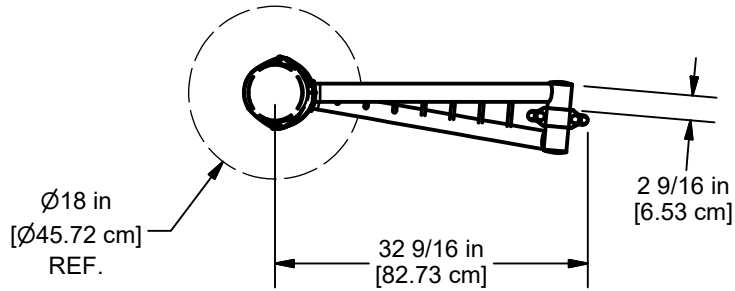
FINISHED ASSEMBLY
BigToys[®]

A PLAYCORE Company

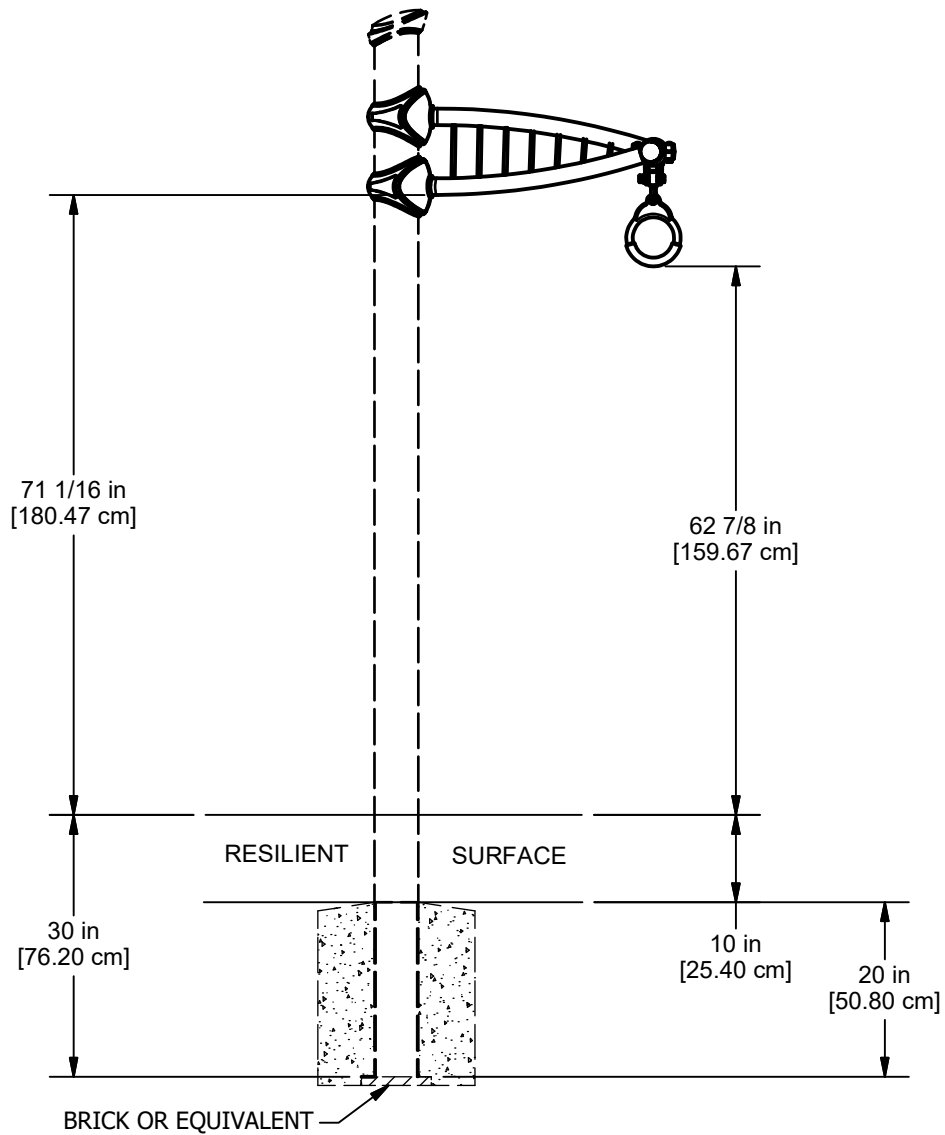
COMPONENTS SHOWN IN
HIDDEN LINES ARE SOLD SEPARATELY

SHEET 2 OF 4

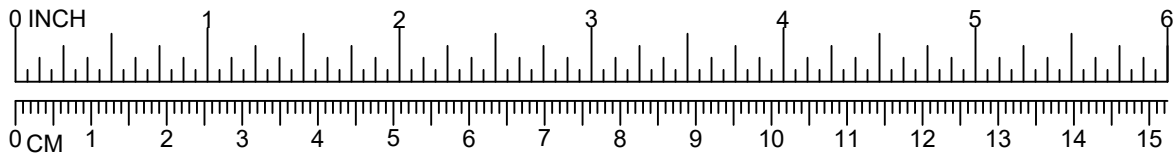
BT473 STRETCHING RING



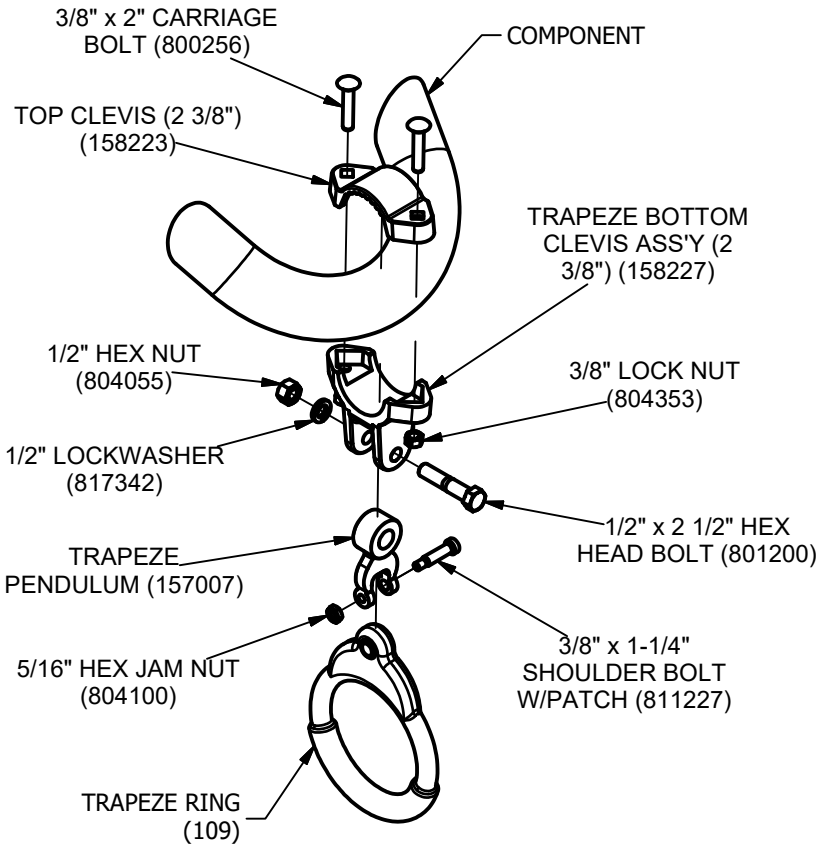
PLAN VIEW



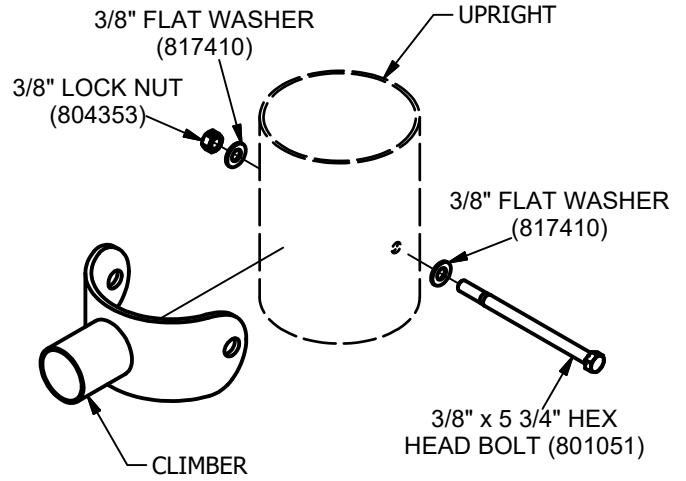
ELEVATION VIEW



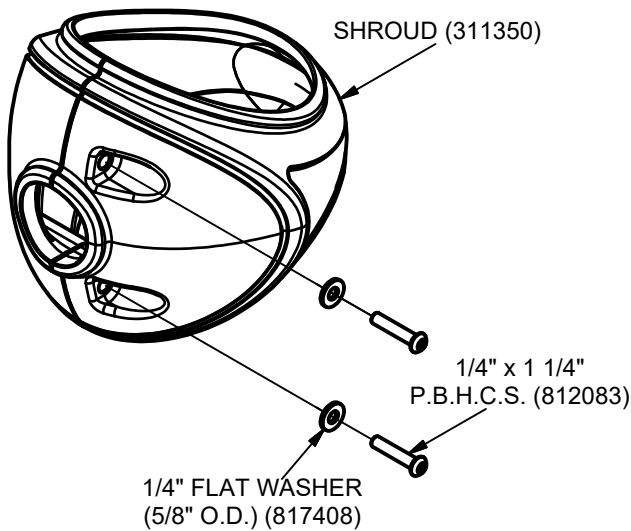
BT473 STRETCHING RING



482



601



603

Issued/Revised: 3/2/2012

BigToys[®]

A PLAYCORE Company

SHEET 4 OF 4

1-866-814-8697

bigtoys.com

BT476 NAVICLIMB INVERTED

Parts List		
DESCRIPTION	QTY	PART NUMBER
MOUNTING PLATE	3	309279
STRATASCEND CLIMBER	1	309292
SUPPORT	1	311414
MIDDLE PIPE	1	311420
BOTTOM PIPE	1	311423
EXTENSION PIPE	3	404351
HARDWARE COMPLETE	1	404361
PLASTIC WASHER	9	304073
PLASTIC CAP	9	304074
RUBBER PAD	3	309010
SHROUD	2	311350
1/4" x 1 1/4" P.B.H.C.S.	4	812083
1/4" FLAT WASHER (5/8" O.D.)	4	817408
3/8" x 1" P.B.H.C.S. w/PATCH	3	812050
3/8" x 1 3/4" P.B.H.C.S. w/PATCH	9	812054
3/8" x 2 1/4" P.B.H.C.S. w/PATCH	3	812056
3/8" x 5 3/4" HEX HEAD BOLT	2	801051
3/8" FLAT WASHER	19	817410
3/8" LOCK NUT	2	804353
3/8" BARREL NUT	3	804804

Unless Otherwise Specified, All Units of Measure are Each

**Items listed below Hardware Complete line are included with Hardware Complete Number*

Warning: During Installation, Hardware And Small Parts Are Choking Hazards For Young Children. Store Unused Parts Appropriately Until Assembly Is Completed. Once Assembly Is Completed, Remove Any Unused Parts From The Play Environment And Dispose/Save Them In A Secure Location. Any bolt end protruding more than two full threads beyond the face of the nut causes risk of clothing entanglement. Promptly cut-off flush, file smooth, and treat to prevent corrosion.

Note: Peen Tee-Nuts and Flatwashers to match radius of pipe after assembly is complete.

Note: Loctite (supplied by others) should be used on any non-patch hardware.

BT476 NAVICLIMB INVERTED

INSTALLATION INSTRUCTIONS:

1. Dig footing holes as shown in Elevation and Plan Views. Refer to Top View for correct Upright and orientation.
2. Attach Support to Upright using 3/8" x 5 3/4" Hex Head Bolt, 3/8" Flat Washer, and 3/8" Lock Nut. See Detail 601.
3. Attach the Extension Pipe to Mounting Plate using 3/8" x 1" P.B.H.C.S. w/Patch, and 3/8" Flat Washer. See Detail 360. **Note:** Tabs on Extension Pipe must be aligned in the same direction along the length of the Stratascend Climber.
4. Attach Rubber Pad to Mounting Plate using Plastic Cap, 3/8" x 1 3/4" P.B.H.C.S. w/Patch, 3/8" Flat Washer and Plastic Washer. See Detail 360.
5. Attach Stratascend Climber to Support , Middle Pipe and Bottom Pipe using 3/8" x 2 1/4" P.B.H.C.S. w/Patch, 3/8" Flat Washer and 3/8" Barrel Nut. See Detail 620.
6. Attach Shroud to Upright using 1/4" x 1 1/4" P.B.H.C.S and 1/4" Flat Washer (5/8" O.D.). See Detail 603.
7. Plumb and level the entire assembly and tighten all fasteners.

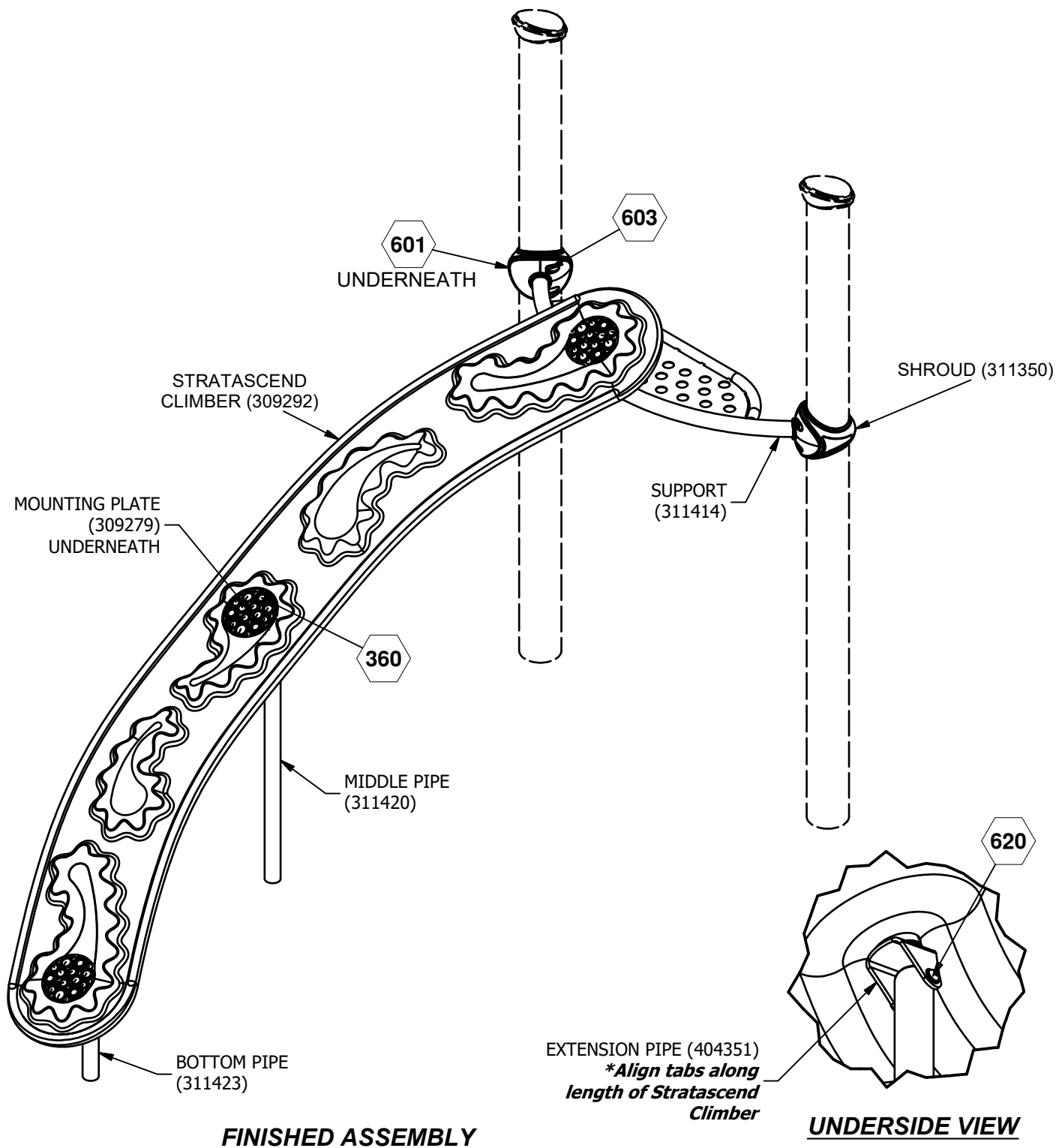
IMPORTANT! Avoid creating any gaps between the components which fall between 3 1/2" and 9". It has been shown that such gaps create entrapment points which can trap a child and cause injury.

8. After entire unit is assembled pour concrete footings within 4" to the top and taper away from post for water drainage. Allow to cure at least 48 hours before use. Temporary bracing may be required until concrete cures.
9. When the structure is finished and satisfactory, eliminate sharp points and sharp edges (burring) on installed hardware like bolts, nuts, etc. Install resilient surfacing material within the use zone of play structure in accordance with ASTM specifications F1292 appropriate for the fall height of each structure. Refer to the safety guidelines.

MAINTENANCE PROCEDURE:

Periodically check hardware for tightness, and tighten as necessary. Always check all parts for breakage or wear, and immediately put equipment out of service until any faulty parts found are repaired or replaced. Also Check all metal parts for rust, paint loss and touch-up if necessary with paint. Check for welded areas and verify integrity. Check periodically resilient surfacing for appropriate depth and remove extraneous materials that could cause injury, infection, or disease. Maintain detailed installation, inspection, maintenance, and repair records for each public-use playground equipment.

BT476 NAVICLIMB INVERTED



⬡ = INSTALLATION DETAIL

COMPONENTS SHOWN IN HIDDEN LINES ARE SOLD SEPARATELY

Issued/Revised: 7/26/2012

BigToys®

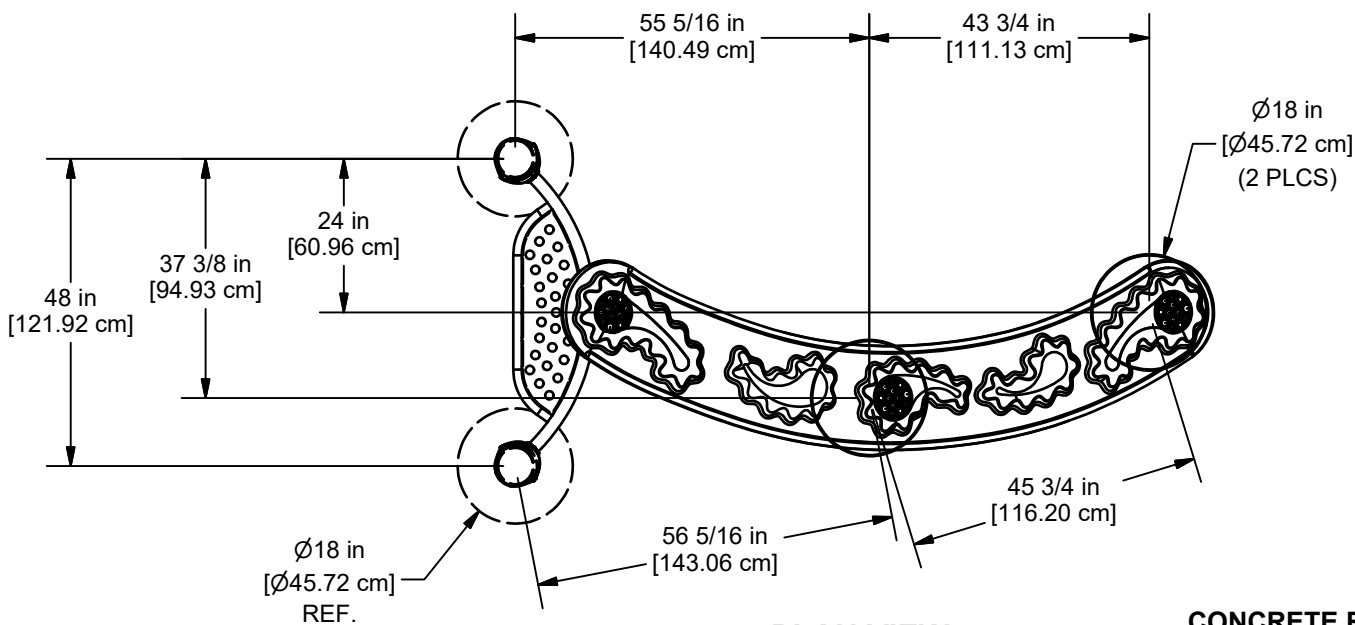
SHEET 3 OF 5

1-866-814-8697

A PLAYCORE Company

bigtoys.com

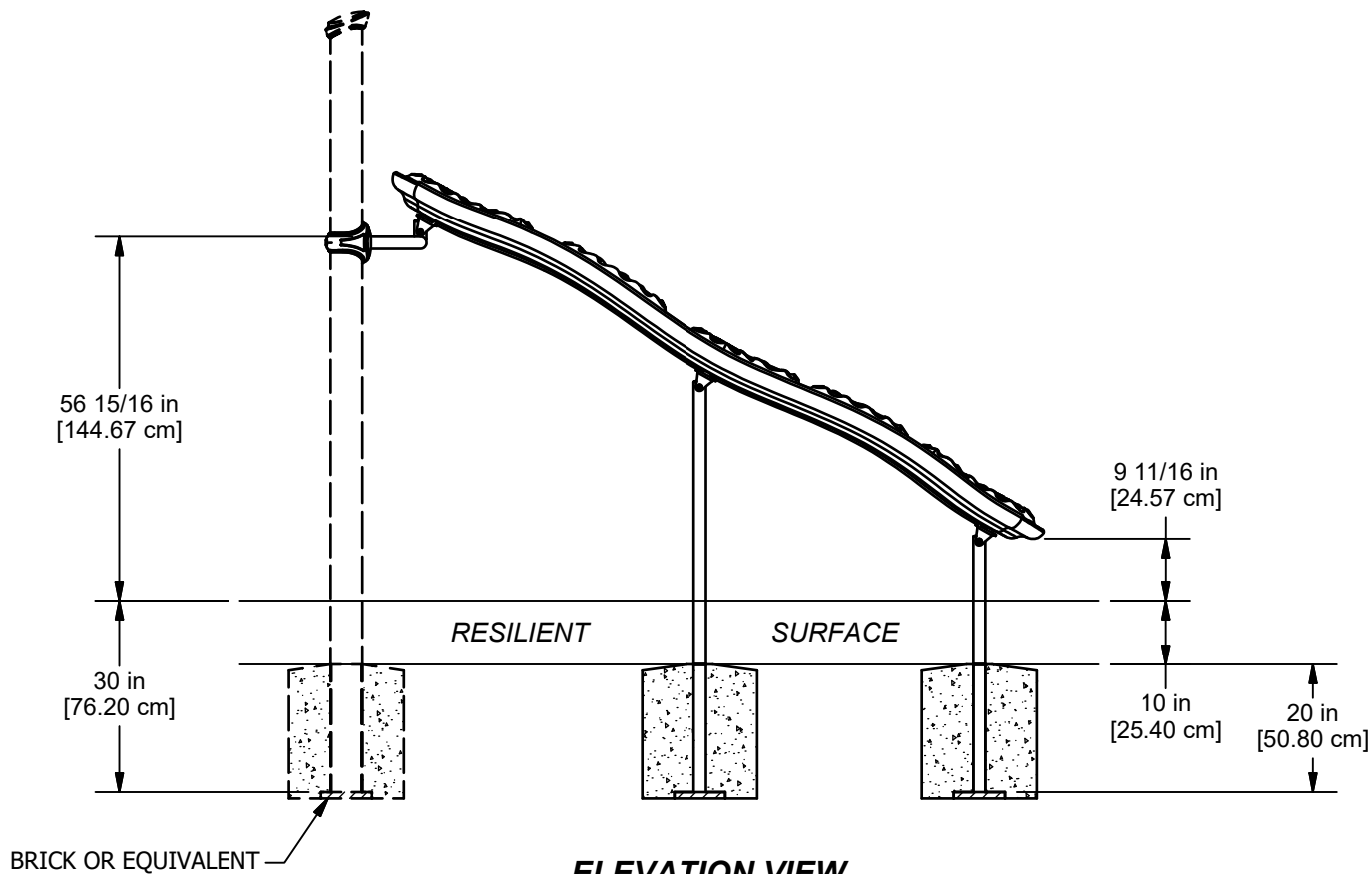
BT476 NAVICLIMB INVERTED



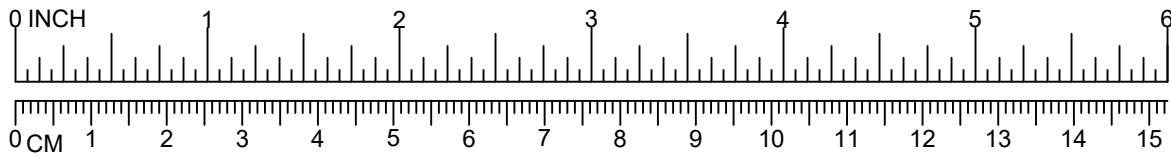
PLAN VIEW

CONCRETE REQUIRED

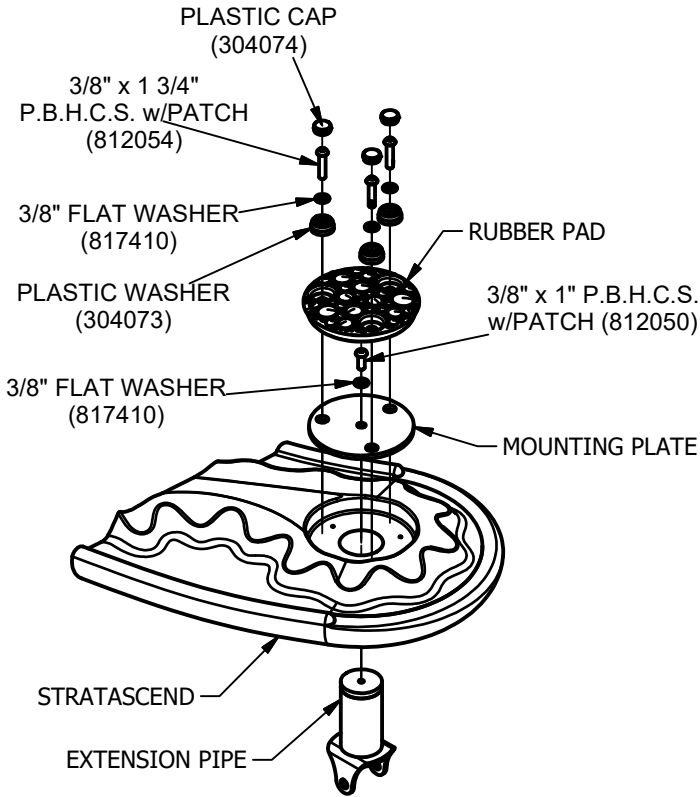
0.218 CUBIC YARDS
0.166 [CUBIC METERS]



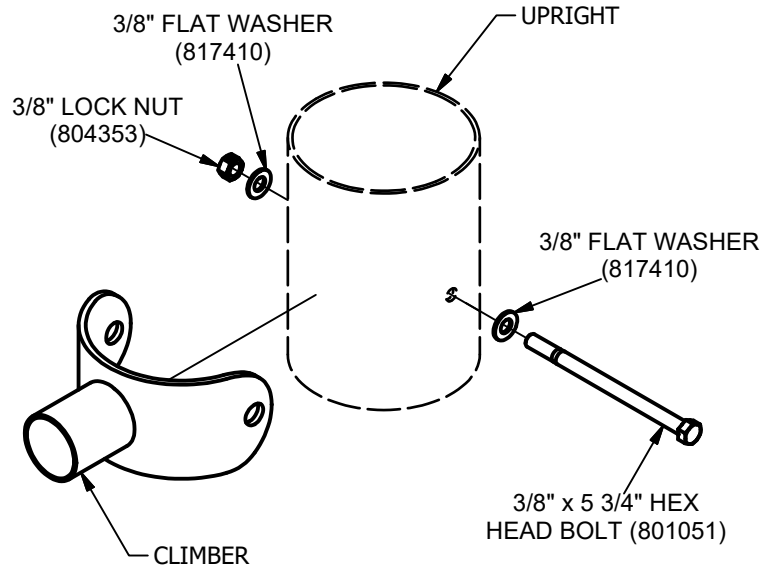
ELEVATION VIEW



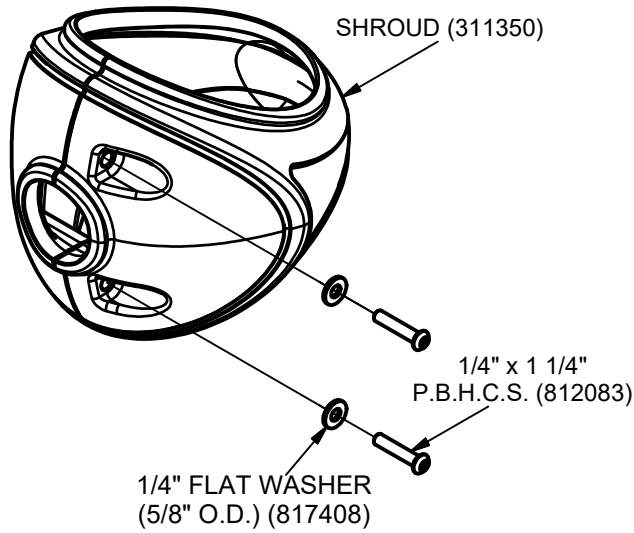
BT476 NAVICLIMB INVERTED



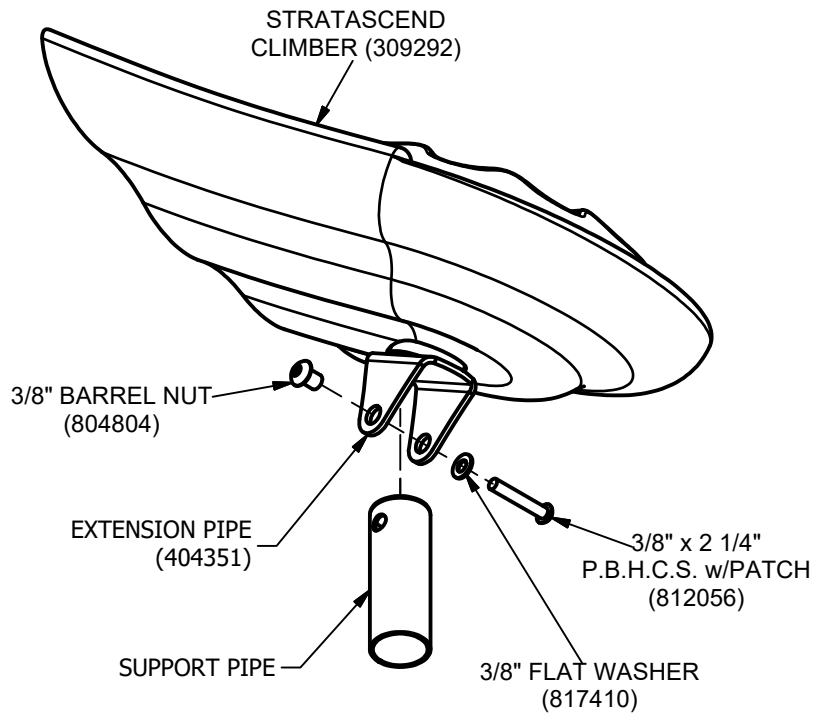
360



601



603



620