

MEC228 SHAPES SENSORY BOX

Parts List		
DESCRIPTION	QTY	PART NUMBER
L-BRACKET	8	200205
SIDE TRIANGLE	2	405248
SHAPES BOX BACK	1	405250
SENSORY BOX FRONT	1	405403
BIG TRIANGLE	1	405404
SMALL TRIANGLE	1	405405
BIG RECTANGLE	1	405406
SMALL RECTANGLE	1	405407
BIG CIRCLE	1	405408
SMALL CIRCLE	1	405409
BIG SQUARE	1	405410
SMALL SQUARE	1	405411
HARDWARE COMPLETE	1	405412
#10 x 1" WOOD SCREW	30	815515
3/8" x 3/4" CARRIAGE BOLT	16	800252
3/8" BARREL NUT	16	804804

*Unless Otherwise Specified, All Units of Measure are Each
Items listed below Hardware Complete line are included with Hardware Complete Number*

Warning: During Installation, Hardware And Small Parts Are Choking Hazards For Young Children. Store Unused Parts Appropriately Until Assembly Is Completed. Once Assembly Is Completed, Remove Any Unused Parts From The Play Environment And Dispose/Save Them In A Secure Location. Any bolt end protruding more than two full threads beyond the face of the nut causes risk of clothing entanglement.

Promptly cut-off flush, file smooth, and treat to prevent corrosion.

Note: Peen Tee-Nuts and Flatwashers to match radius of pipe after assembly is complete.

Note: Loctite (supplied by others) should be used on any non-patch hardware.

SPECIFICATIONS:

L-Bracket: Shall be fabricated from 3/16" x 2" hot rolled flat steel. L-Bracket will have baked on polyester powder-coated finish after fabrication.

Side Triangle, Shapes Box Back, Sensory Box Front, Big Triangle, Small Triangle, Big Rectangle, Small Rectangle, Big Circle, Small Circle, Big Square, and Small Square : Shall be precision cut from a single solid sheet of .750" thick UV- stabilized high-density polyethylene with colors molded in. The material will have a density of 60lbs/ft³ and a tensile strength of 4400 PSI (30 Mpa) as determined per procedure C of ASTM D1928. All edges shall have radiuses and all corners for safe play.

Hardware: All nuts, bolts, and washers, with exceptions noted, shall be 3/8" diameter 18-8 stainless steel in varying lengths, with a vandal resistant hex-pinned head configuration and factory-applied locking patch. When allowed a 72-hour cure time, the locking patch will prevent the bolt from loosening without at least 4 times the installation torque. Play & Park Structures will supply the special tool required to turn vandal-resistant hardware with each shipment. 1/2" diameter Ramp and Arch Bridge connecting hardware shall be Grade 5 zinc-plated, and 3/8" Clatter Bridge security bolts shall be Grade 8 hardened and zinc-plated.

INSTALLATION INSTRUCTIONS:

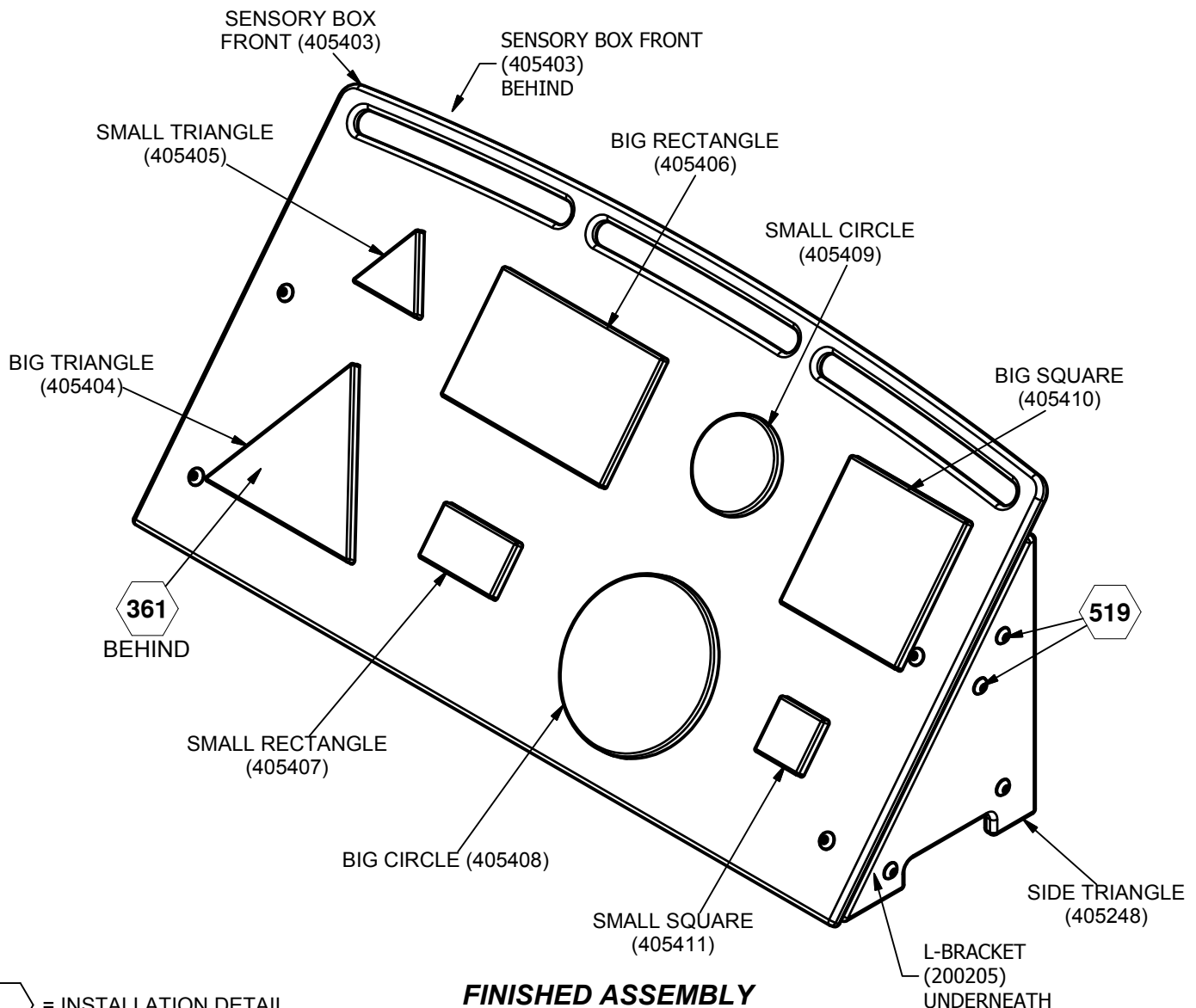
1. Attach all Shapes to Sensory Box Front using #10 x 1" Wood Screw. See Detail 519.
2. Attach Side Triangle to Shapes Box Back using L-Bracket, 3/8" x 3/4" Carriage Bolt, and 3/8" Barrel Nut. See Detail 519.
3. Attach Side Triangle to Sensory Box Front using L-Bracket, 3/8" x 3/4" Carriage Bolt and 3/8" Barrel Nut. See Detail 519.

MEC228 SHAPES SENSORY BOX

4. Plumb and level the entire assembly and tighten all fasteners.
5. Check that all hardware connections are securely tightened. Smooth away any sharp edges that may have been created during handling and assembly. Install resilient surfacing within the use zone of play structure in accordance with ASTM specifications F1292, and appropriate for the fall height of each structure. Refer to all applicable safety guidelines.

MAINTENANCE PROCEDURE:

Periodically check hardware for tightness, and tighten as necessary. Always check all parts for breakage or wear, and immediately put equipment out of service until any faulty parts found are repaired or replaced. Also Check all metal parts for rust, paint loss and touch-up if necessary with paint. Check for welded areas and verify integrity. Check periodically resilient surfacing for appropriate depth and remove extraneous materials that could cause injury, infection, or disease. Maintain detailed installation, inspection, maintenance, and repair records for each public-use playground equipment.



 = INSTALLATION DETAIL

Issued/Revised: 10/09/15

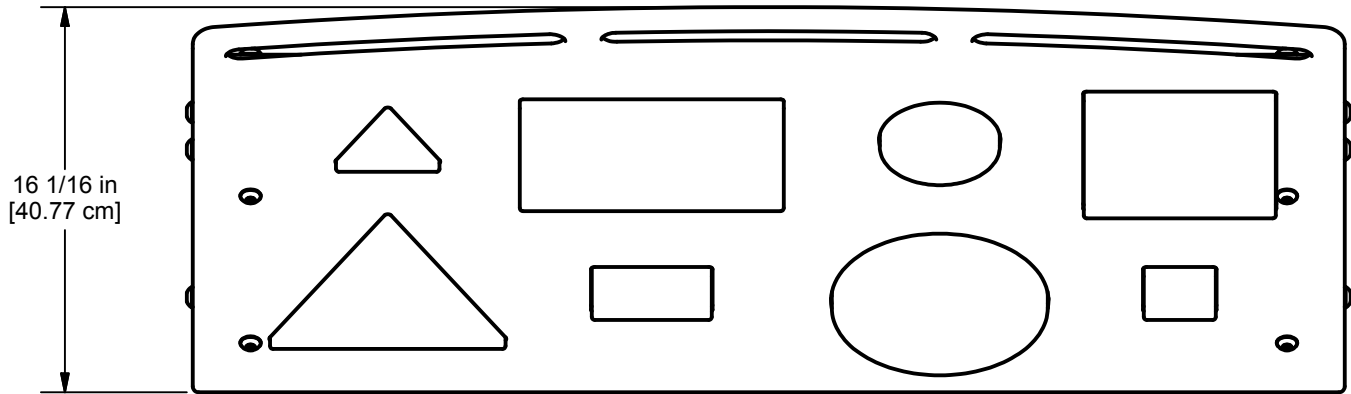
FINISHED ASSEMBLY

BigToys[®]

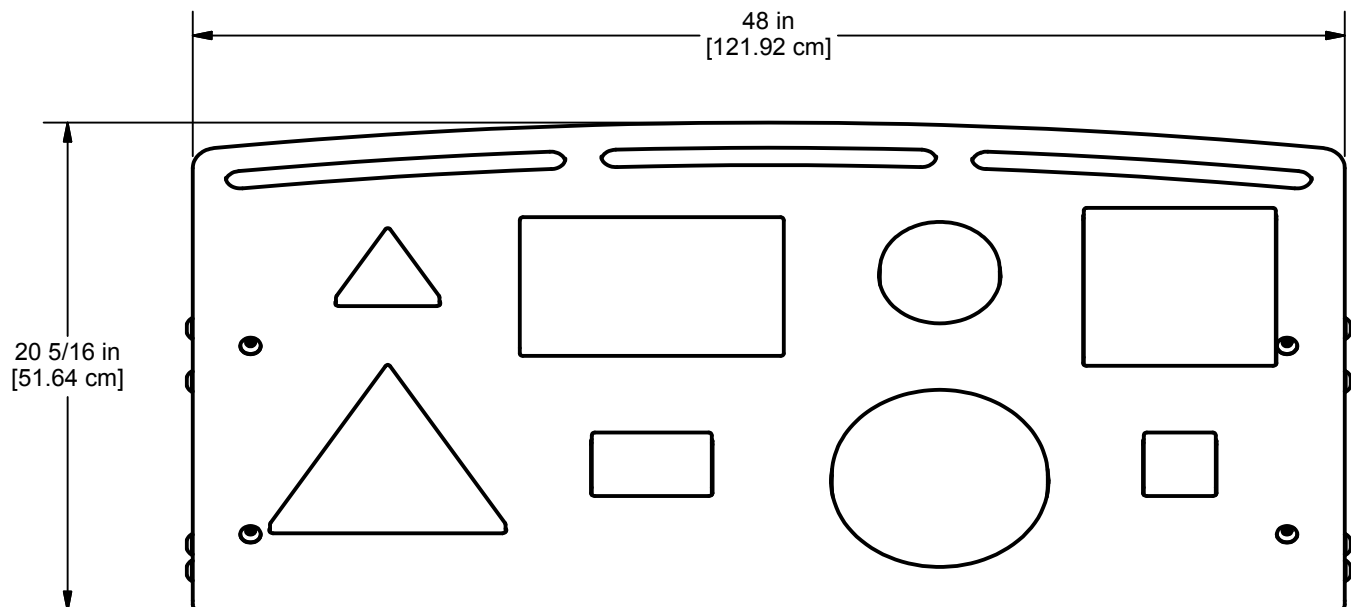
A PLAYCORE Company

SHEET 2 OF 4

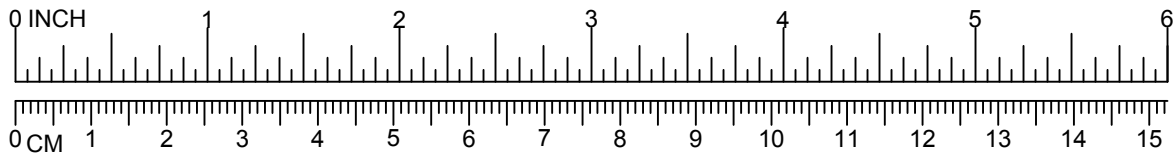
MEC228 SHAPES SENSORY BOX



PLAN VIEW

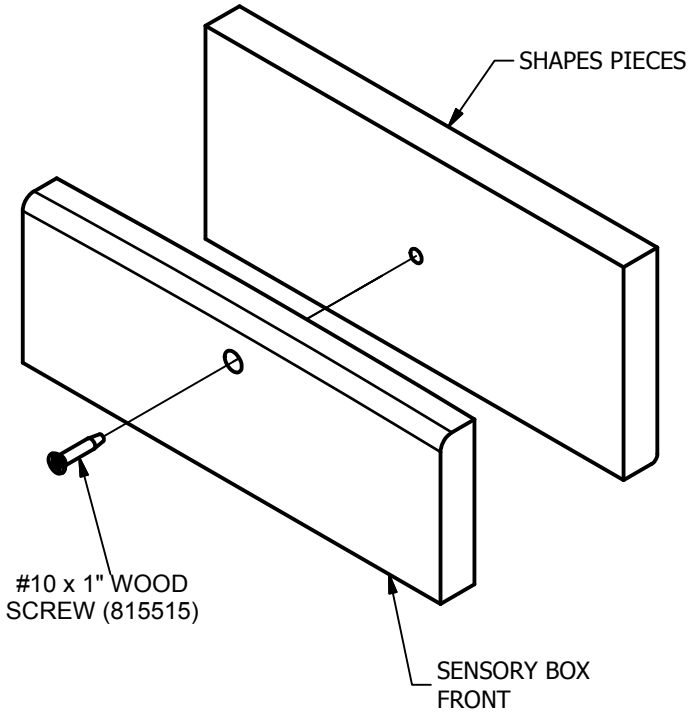


ELEVATION VIEW



MEC228 SHAPES SENSORY BOX

361



519

