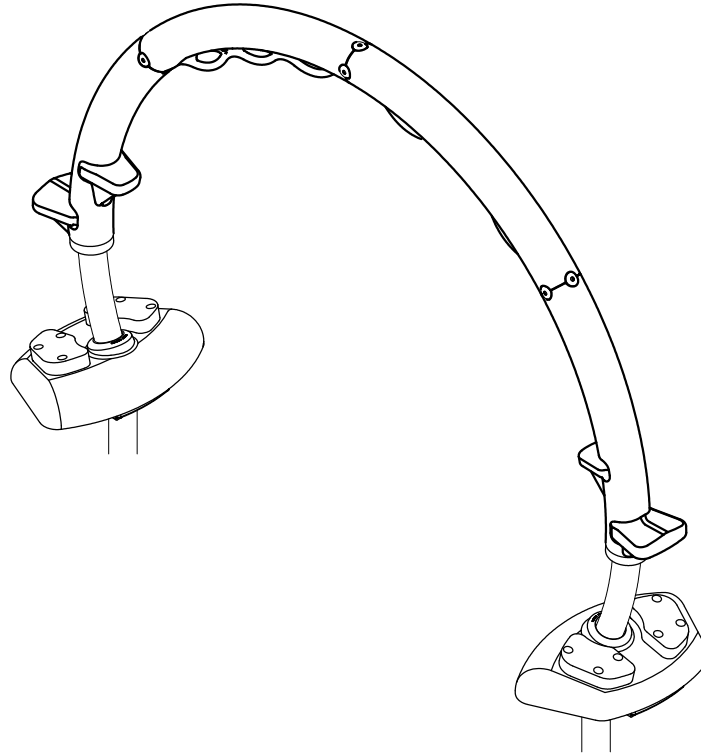










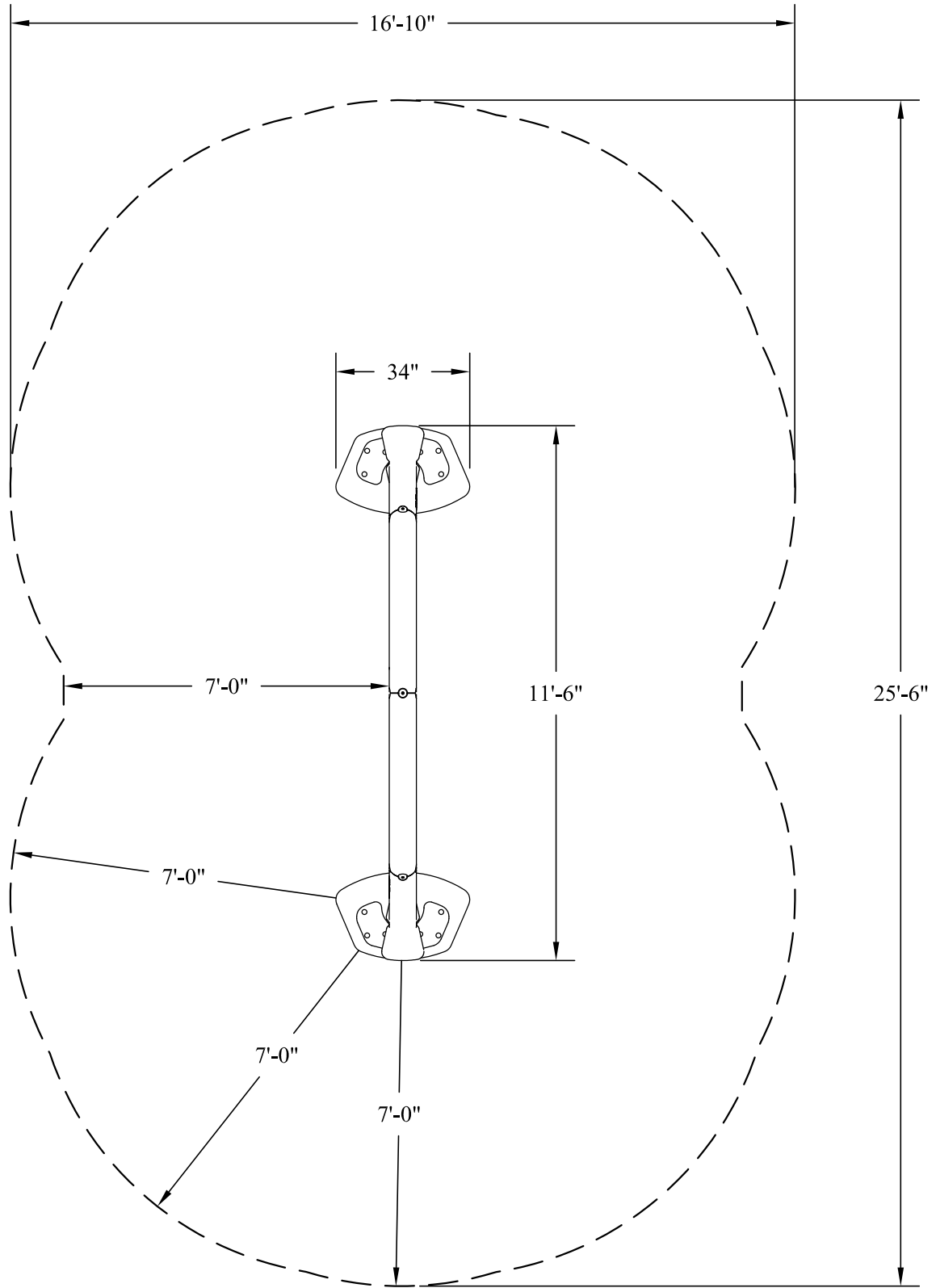


Rock N' Cross

ME-05
Installation Instructions

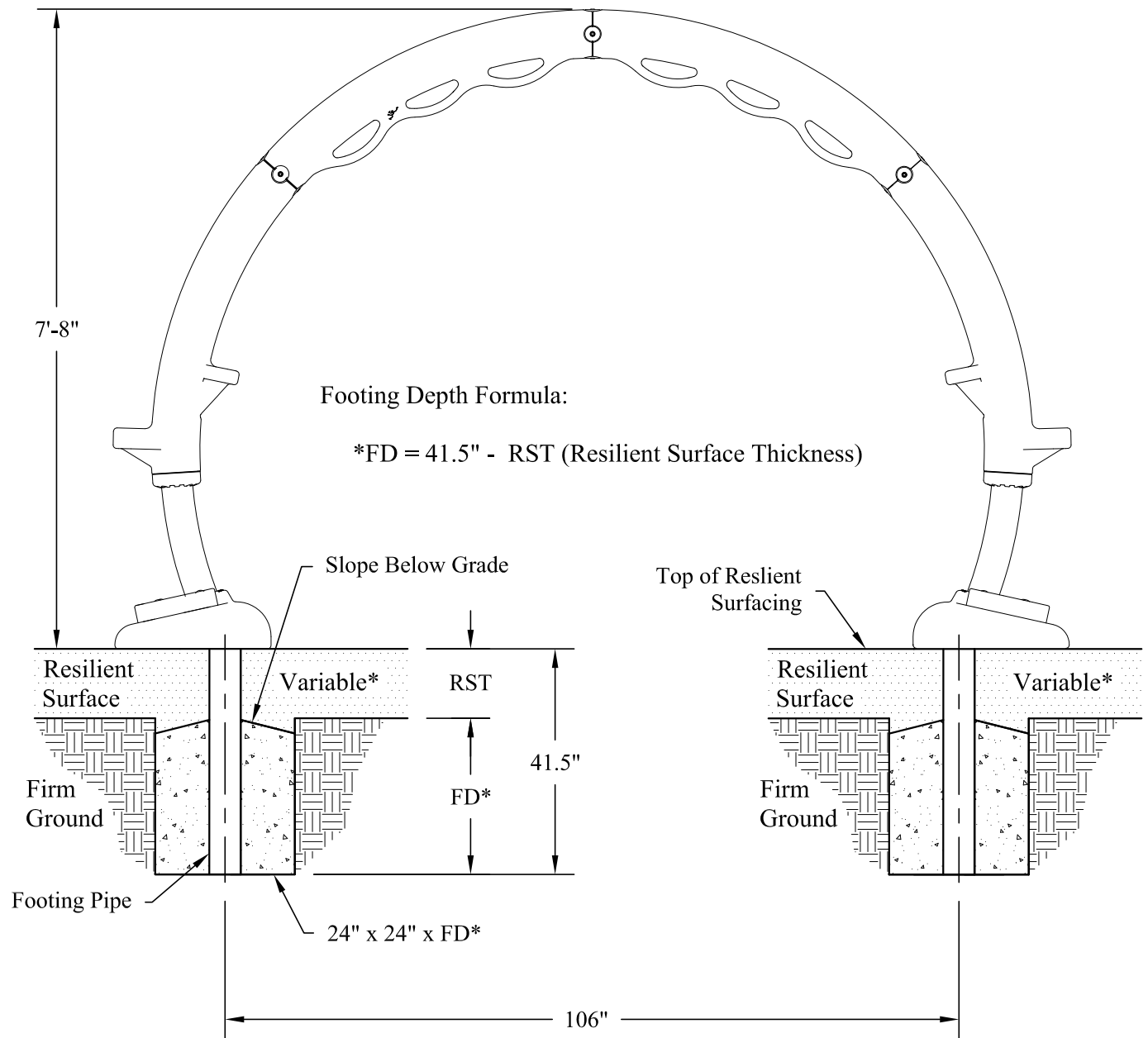


DET.	QTY.	PART#	DESCRIPTION	ICON (NOT TO SCALE)
A	2	401027	Base Pipe Assembly, ME05	
B	2	401030	Landing Plate, ME05	
C	2	401034	Footing Pipe, ME05	
D	2	401038	Housing Lower Assembly, ME05	
E	2	401042	Landing Assembly, ME05	
F	1	401049	Upper Pipe Assembly, ME05	
G	2	401071	Pipe, Temporary, ME05	
	1	402203	Hardware, Rock'N Cross	
H	8	817460	3/8" SS Flatwasher (.62" OD)	
I	20	816079	Cap Screw 3/8-16 x 1-1/2" Sckt Hd Pltd	 
J	16	801521	Bolt, Hex 1/2-13 x 1-1/2" Grd 5 Nc Pltd	 
K	16	804355	Nut, Hex 1/2" - Lock	 
L	8	804053	Nut Hex 3/8-16 NC Pltd	 
M	24	817412	1/2" Flat Washer, 1-1/16" OD SS	
N	1	404293	Warning Label	
O	1	0223	Age Appropriate Label 5-12 Years	



7' Safetyzone - No Encroachment
 Structure Use Zone Dimension: 25'-6" X 17'-0"

1. Refer to your structure design layout for the location of the Rock 'n Cross.
2. **Locate and dig Column Footing Holes** as shown.



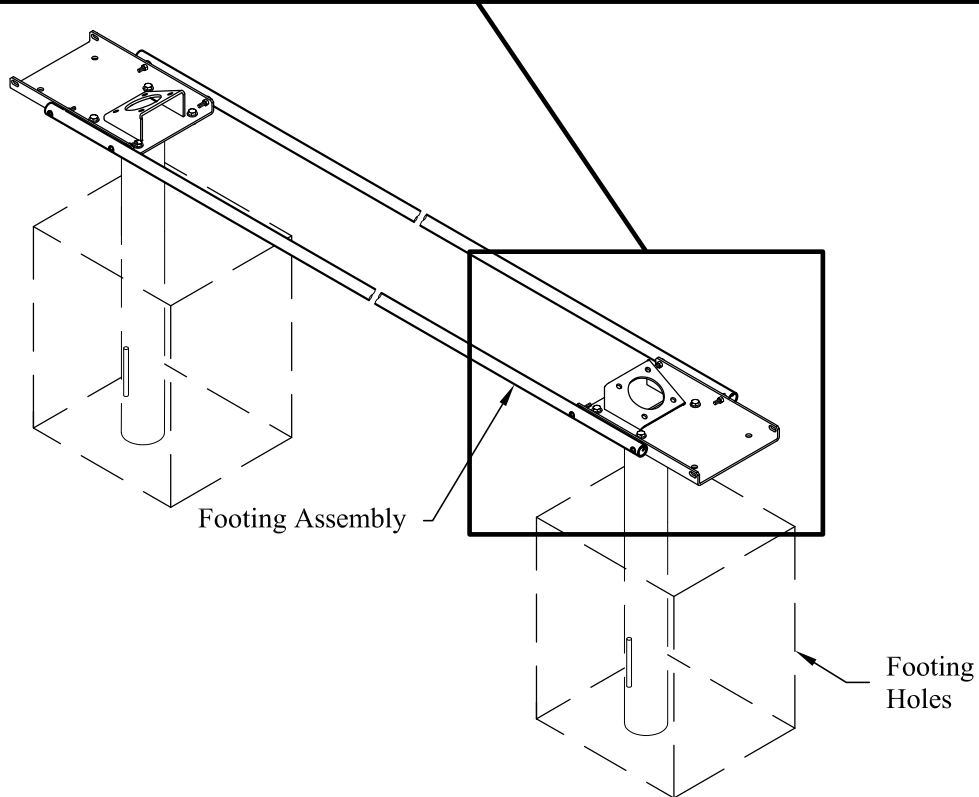
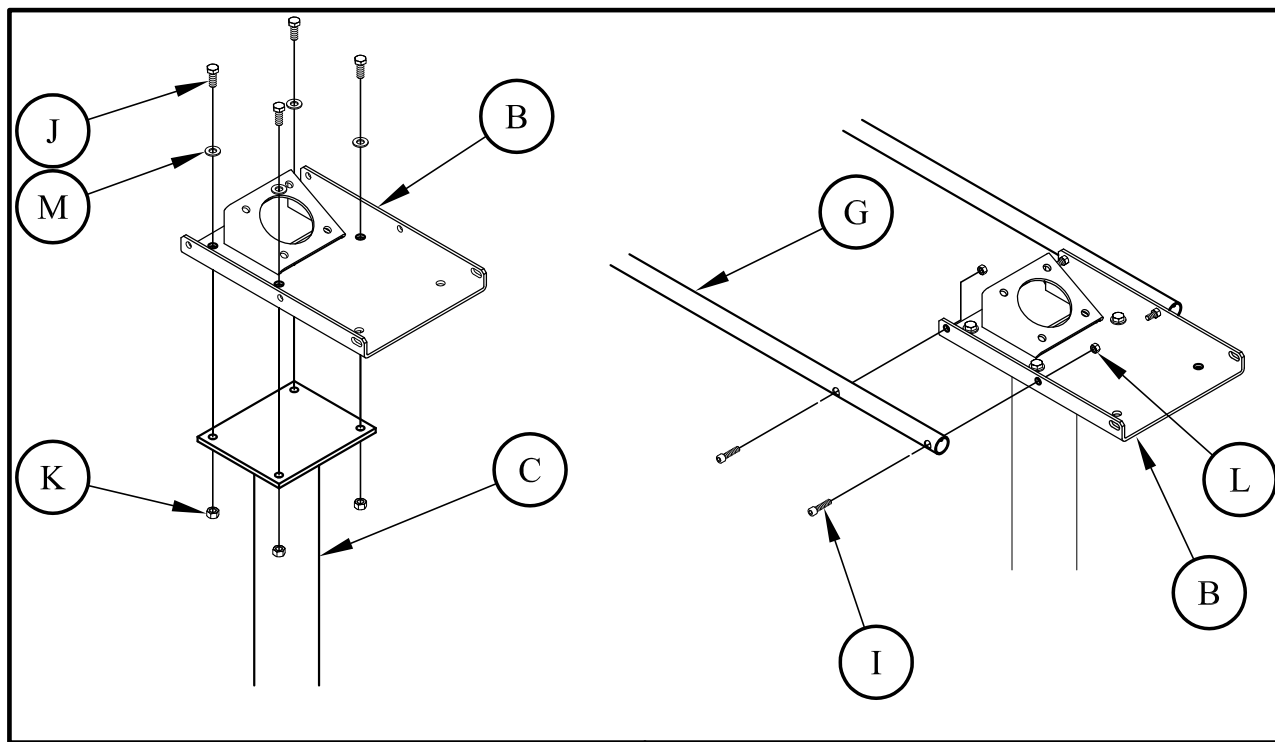
FINISHED ASSEMBLY

3. **Create a Footing Assembly** by attaching the Footing Pipe (C) and Pipes (G) to Landing Plate (B) using hardware (J)(M)(K)(I)(L) as shown.

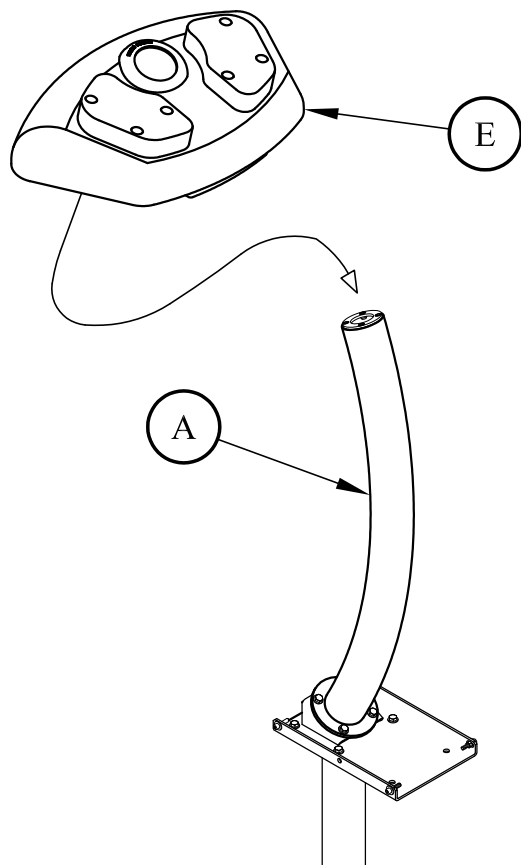
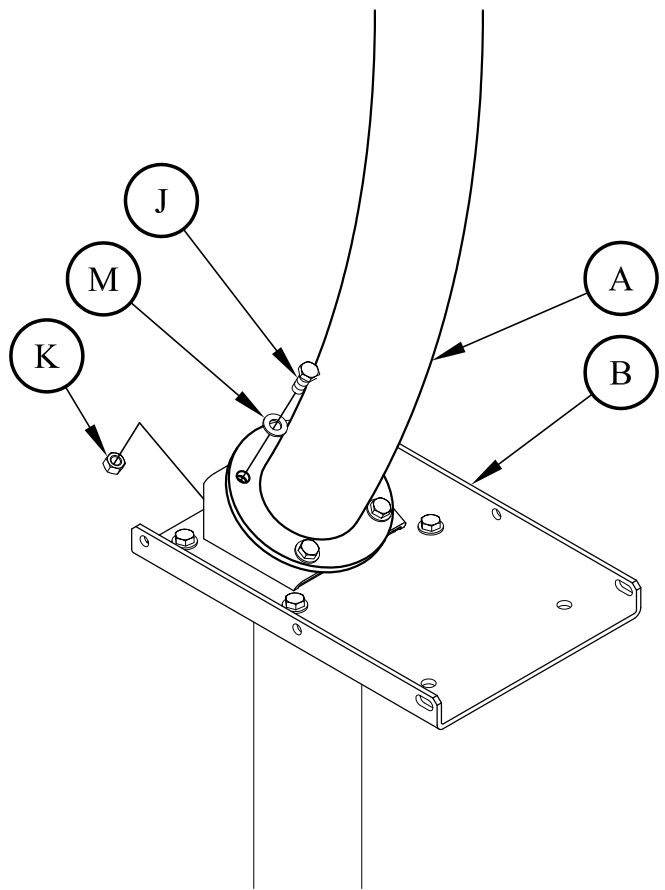
4. Plumb and level the Footing Assembly in the Footing Holes.



Make sure the Footing Assembly is plumb, level, and at the height specified on page 2.



5. **Attach Base Pipe (A)** to Landing Plate (B) using hardware (J)(M)(K).
6. Insert the Landing Assembly (E) onto Base Pipes (A).



7. **Insert Housing Lower Assembly (D)**
onto Base Pipe Assembly (A).

8. **Insert Upper Pipe Assembly (F)**
into Housing Lower Assembly (D).

9. **Attach Upper Pipe Assembly (F)**
to Base Pipe Assembly (A) using
hardware (I)(H) as shown in Figure 1.

10. **Remove the pre-assembled 3/8 x 1-1/2"**
Cap Screws and **Joint Connector Buttons**
from both ends of the Upper Pipe
Assembly (F) as shown in Figure 2.

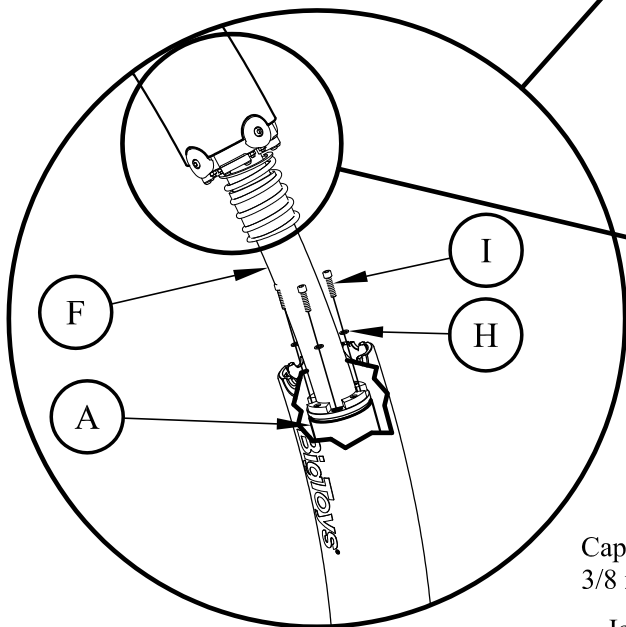
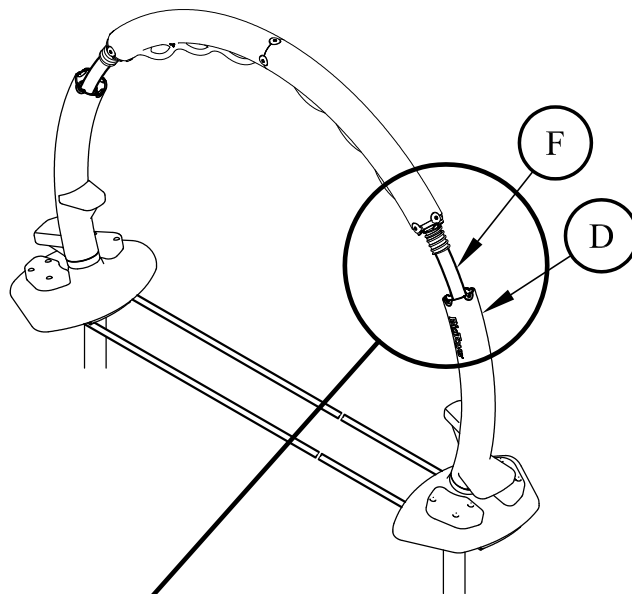
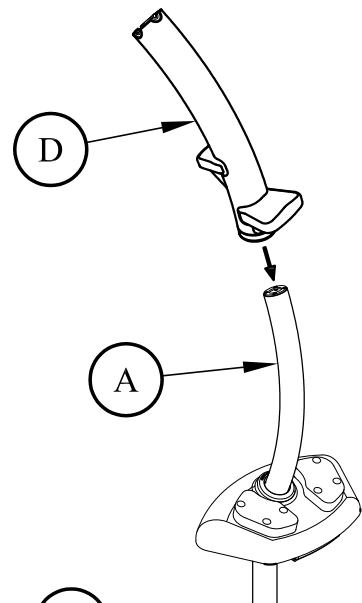


Figure 1

Cap Screw
3/8 x 1-1/2

Joint Connector
Button

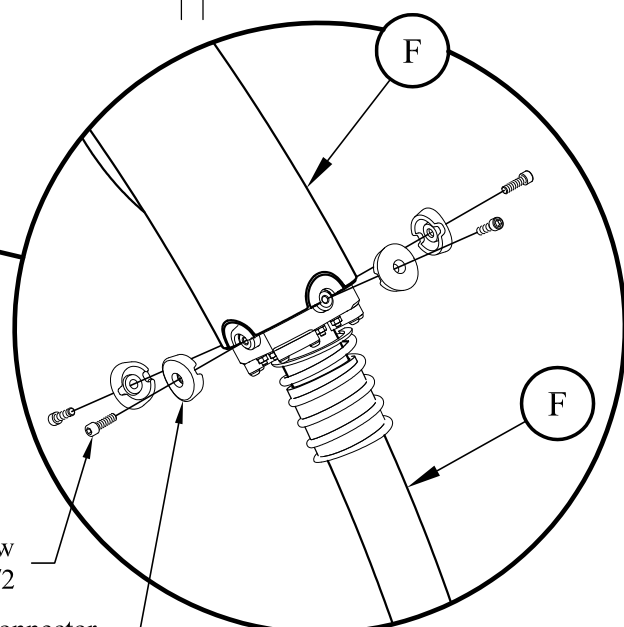


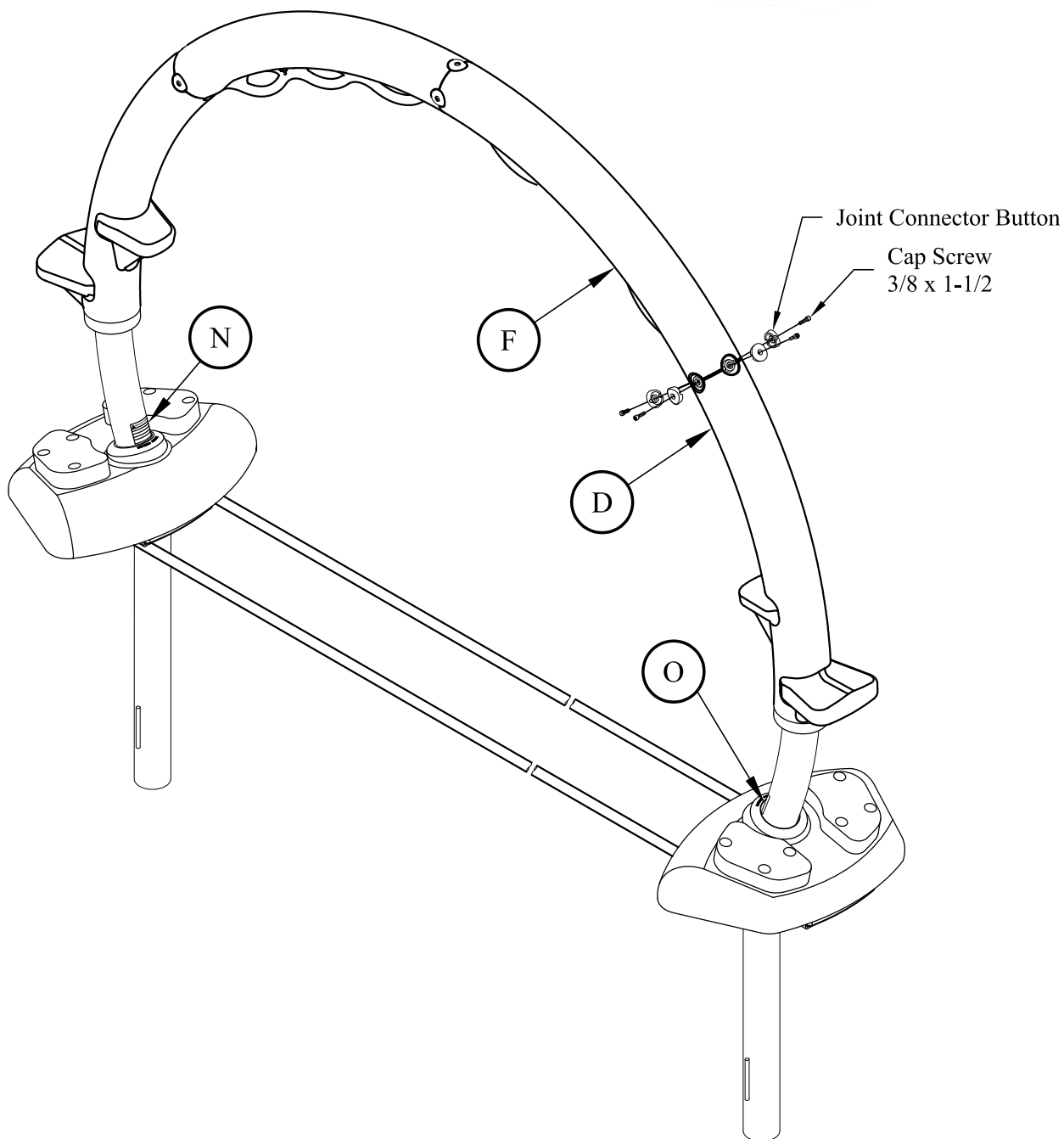
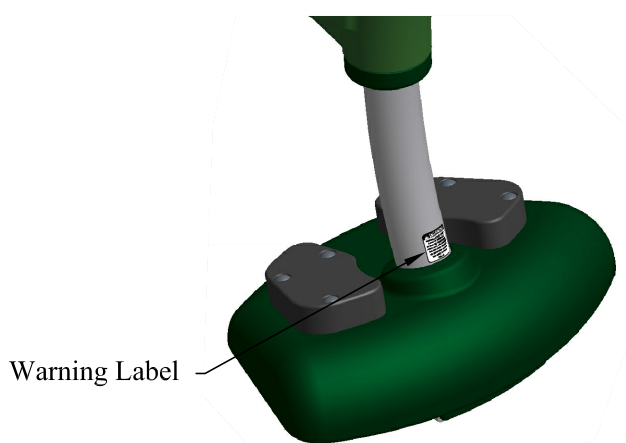
Figure 2

11. **Attach the Upper Pipe Assembly (F)** to Housing Lower Assembly (D) using the Joint Connector Buttons and Cap Screws removed from the previous step.

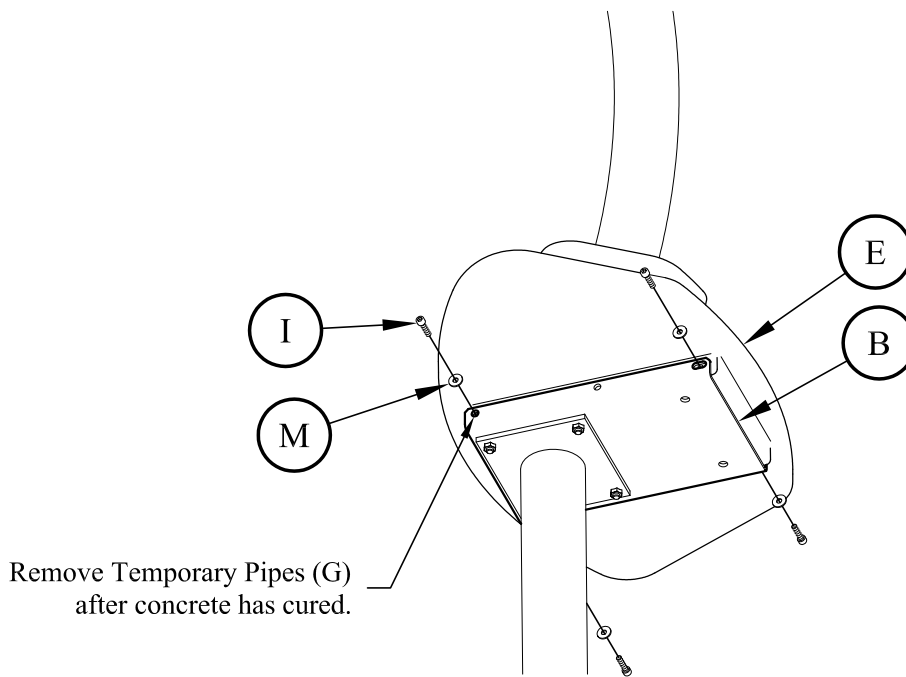
Note: Do not over-tighten!

12. Attach Warning Label (N) and Age Appropriate Label (O) on the inside of Base Pipes and as low as possible.

Note: Area must be clean and dry before attaching Labels.



13. Plumb and level finished assembly than fill holes with concrete.
14. **Once the concrete has cured, remove the Temporary Pipes (G).**
15. Align the holes in the Landing Plate (B) with the threaded holes in the Landing Assembly (E) and secure the unit using hardware (I)(M) as shown.
16. Install and maintain resilient surfacing at the level shown on sheet 2.



**Assembly Viewed
From Below**