

## BT405 PINTA

| Parts List                     |     |             |
|--------------------------------|-----|-------------|
| DESCRIPTION                    | QTY | PART NUMBER |
| INCLINED WALL                  | 1   | BT464       |
| ACTIVE LINK                    | 1   | BT467       |
| SINGLE PLAYSHELL               | 1   | BT471       |
| UPRIGHT 1                      | 1   | 404020      |
| UPRIGHT 2                      | 1   | 404022      |
| UPRIGHT 3                      | 1   | 404024      |
| <b>HARDWARE COMPLETE</b>       | 1   | 311615      |
| 5" POST TOP COVER              | 3   | 311349*     |
| 3/8" x 1/2" P.B.H.C.S. w/PATCH | 6   | 812049*     |

*Unless Otherwise Specified, All Units of Measure are Each  
Items listed below Hardware Complete line are included with Hardware Complete Number*

**Warning: During Installation, Hardware And Small Parts Are Choking Hazards For Young Children. Store Unused Parts Appropriately Until Assembly Is Completed. Once Assembly Is Completed, Remove Any Unused Parts From The Play Environment And Dispose/Save Them In A Secure Location. Any bolt end protruding more than two full threads beyond the face of the nut causes risk of clothing entanglement. Promptly cut-off flush, file smooth, and treat to prevent corrosion.**

**Note: Peen Tee-Nuts and Flatwashers to match radius of pipe after assembly is complete.**

**Note: Loctite (supplied by others) should be used on any non-patch hardware.**

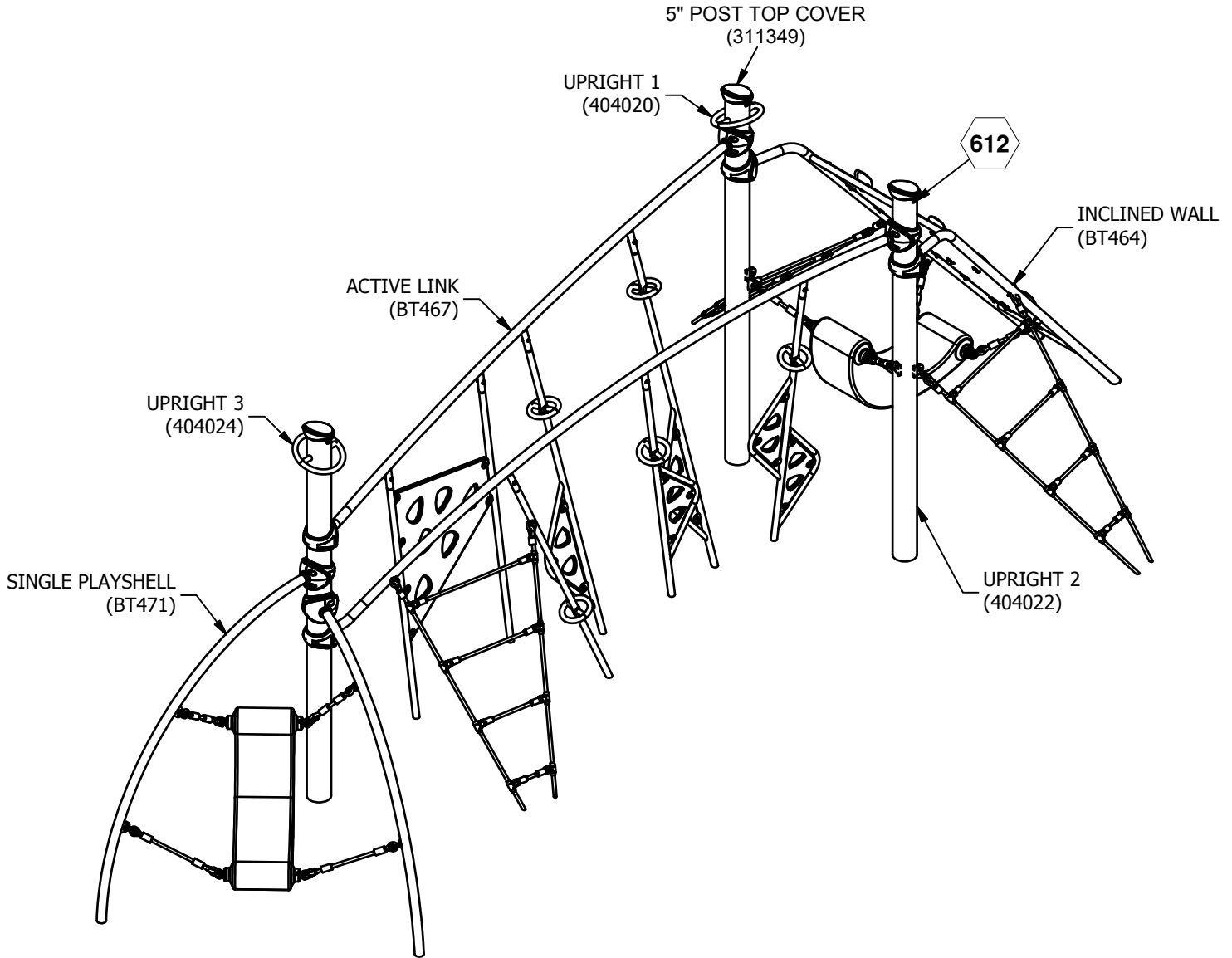
### **INSTALLATION INSTRUCTIONS:**

1. Dig footing holes as shown in Ground Plan. See specific installation sheets for Elevation Views.
2. Refer to specific installation sheets for component attachments, hardware, details, and concrete requirements.
3. Attach 5" Post Top Cover to Uprights using 3/8" x 1/2" P.B.H.C.S. w/Patch. See Detail 612.
4. Plumb and level the entire assembly and tighten all fasteners.
5. After entire discrete unit is assembled pour concrete footings within 4" to the top and taper away from post for water drainage. Allow to cure at least 48 hours before use. **NOTE:** Temporary bracing may be required until concrete cures.
6. When the structure is finished and satisfactory, eliminate sharp points and sharp edges (burring) on installed hardware like bolt, nuts, etc. Install resilient surfacing material within the use zone of play structure in accordance with ASTM specifications F1292 appropriate for the fall height of each structure. Refer to the safety guidelines.

### **MAINTENANCE PROCEDURE:**

Periodically check hardware for tightness, and tighten as necessary. Always check all parts for breakage or wear, and immediately put equipment out of service until any faulty parts found are repaired or replaced. Also Check all metal parts for rust, paint loss and touch-up if necessary with paint. Check for welded areas and verify integrity. Check periodically resilient surfacing for appropriate depth and remove extraneous materials that could cause injury, infection, or disease. Maintain detailed installation, inspection, maintenance, and repair records for each public-use playground equipment.

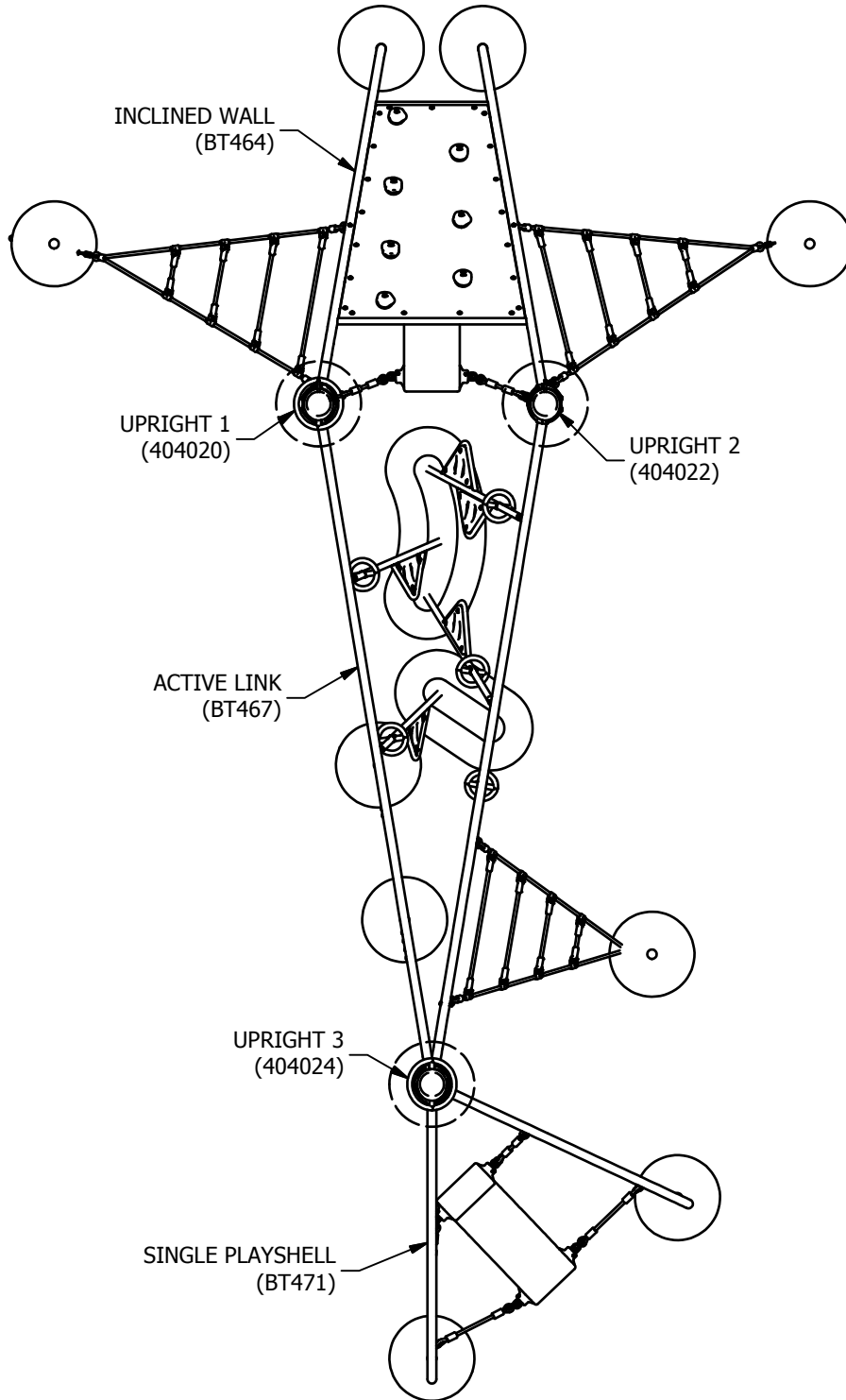
*BT405 PINTA*



**FINISHED ASSEMBLY**

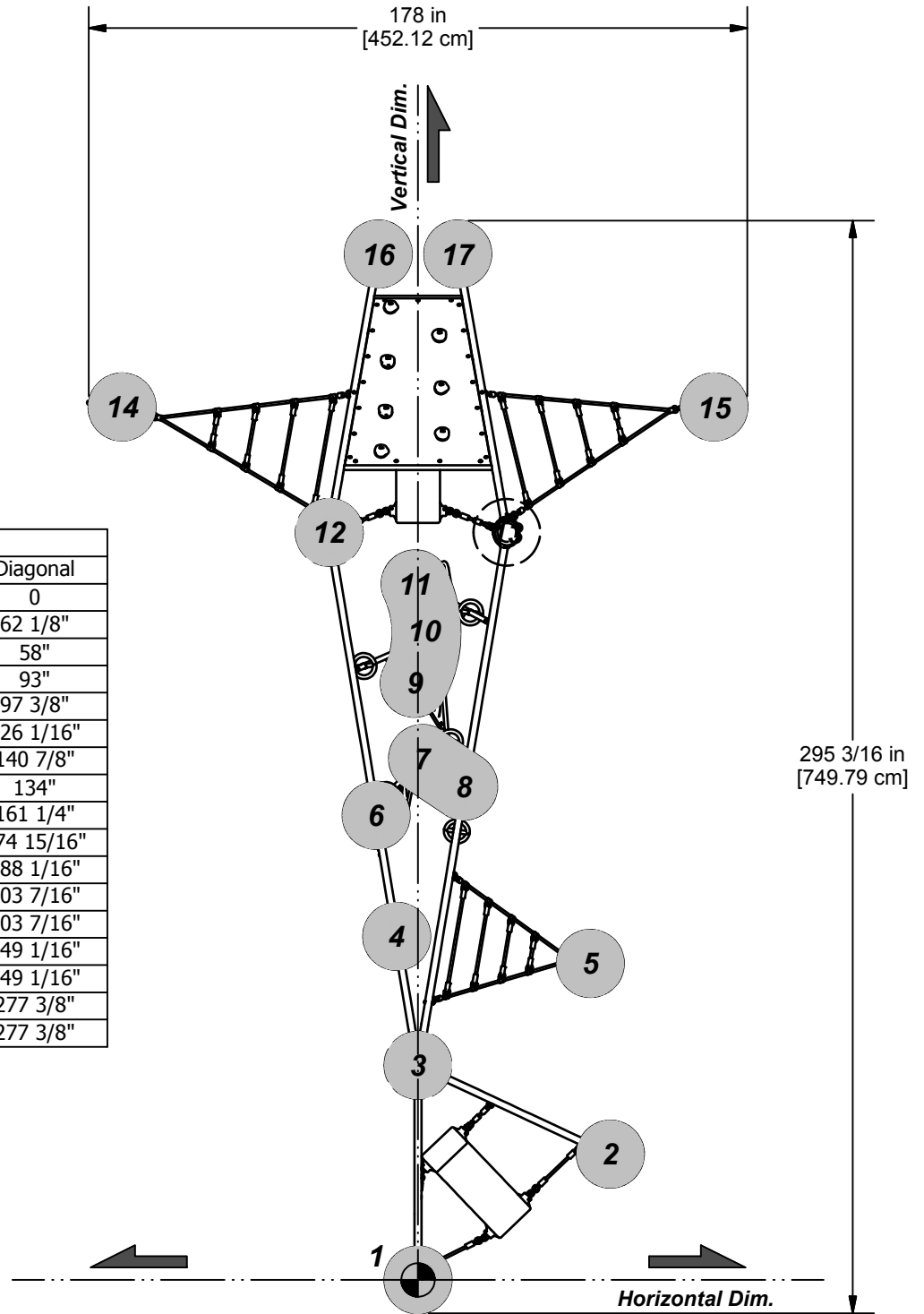
 = INSTALLATION DETAIL

*BT405 PINTA*



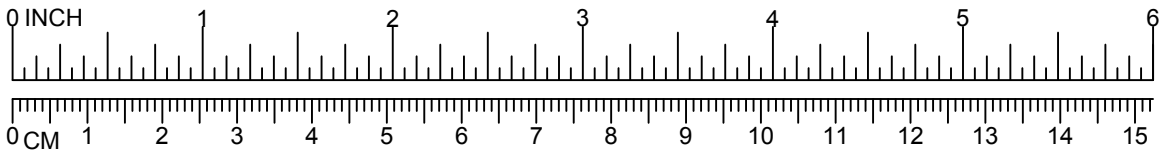
**PLAN VIEW**

**BT405 PINTA**

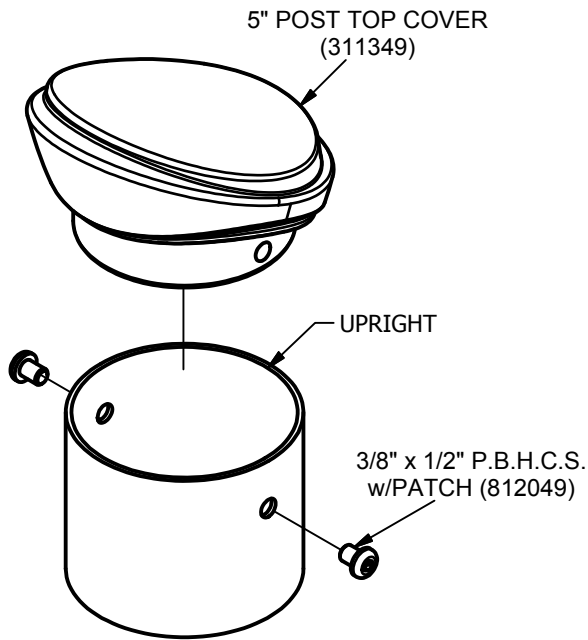


| FOOTING TABLE |           |           |            |
|---------------|-----------|-----------|------------|
| Hole No.      | Hor. Dim. | Ver. Dim. | Diagonal   |
| 1             | 0         | 0         | 0          |
| 2             | 52"       | 34"       | 62 1/8"    |
| 3             | 0         | 58"       | 58"        |
| 4             | 5 3/4"    | 92 13/16" | 93"        |
| 5             | 46 9/16"  | 85 1/2"   | 97 3/8"    |
| 6             | 11 5/16"  | 125 9/16" | 126 1/16"  |
| 7             | 0         | 140 7/8"  | 140 7/8"   |
| 8             | 12 5/16"  | 133 3/8"  | 134"       |
| 9             | 0         | 161 1/4"  | 161 1/4"   |
| 10            | 3 1/4"    | 174 7/8"  | 174 15/16" |
| 11            | 0         | 188 1/16" | 188 1/16"  |
| 12            | 24"       | 202"      | 203 7/16"  |
| 13            | 24"       | 202"      | 203 7/16"  |
| 14            | 80"       | 235 7/8"  | 249 1/16"  |
| 15            | 80"       | 235 7/8"  | 249 1/16"  |
| 16            | 10 3/4"   | 277 3/16" | 277 3/8"   |
| 17            | 10 3/4"   | 277 3/16" | 277 3/8"   |

**GROUND PLAN**



# BT405 PINTA



612

## BT464 INCLINED CLIMBER

| Parts List                       |     |             |
|----------------------------------|-----|-------------|
| DESCRIPTION                      | QTY | PART NUMBER |
| 14 15/16" CABLE                  | 4   | 309082      |
| CABLE                            | 2   | 308254      |
| ANGLE WALL HDPE                  | 1   | 311539      |
| ANGLE WALL                       | 1   | 311543      |
| PLAYSHELL                        | 1   | 401549      |
| PLAYSHELL PIPE                   | 2   | 402415      |
| <b>HARDWARE COMPLETE</b>         | 1   | 311571      |
| SHROUD                           | 2   | 311350*     |
| HANDHOLD PACKAGE                 | 1   | 311570*     |
| PLAYSHELL STOP CASTING ASS'Y     | 4   | 402250*     |
| 1/4" x 1 1/4" P.B.H.C.S.         | 4   | 812083*     |
| 1/4" FLAT WASHER (5/8" O.D.)     | 4   | 817408*     |
| 3/8" x 3/4" P.B.H.C.S. w/PATCH   | 21  | 812052*     |
| 3/8" x 1 1/4" P.B.H.C.S. w/PATCH | 2   | 812051*     |
| 3/8" x 1 1/2" P.B.H.C.S. w/PATCH | 14  | 812053*     |
| 3/8" x 2 1/2" P.B.H.C.S. w/PATCH | 2   | 812057*     |
| 3/8" x 5 3/4" HEX HEAD BOLT      | 2   | 801051*     |
| 3/8" FLAT WASHER                 | 41  | 817410*     |
| 3/8" FLAT WASHER (1 1/4" O.D.)   | 2   | 817424*     |
| 3/8" LOCK NUT                    | 2   | 804353*     |
| 3/8" BARREL NUT                  | 35  | 804804*     |
| 3/4" ID BRONZE BEARING           | 16  | 817451*     |

*Unless Otherwise Specified, All Units of Measure are Each*

*Items listed below Hardware Complete line are included with Hardware Complete Number*

**Warning: During Installation, Hardware And Small Parts Are Choking Hazards For Young Children. Store Unused Parts Appropriately Until Assembly Is Completed. Once Assembly Is Completed, Remove Any Unused Parts From The Play Environment And Dispose/Save Them In A Secure Location. Any bolt end protruding more than two full threads beyond the face of the nut causes risk of clothing entanglement. Promptly cut-off flush, file smooth, and treat to prevent corrosion.**

**Note: Peen Tee-Nuts and Flatwashers to match radius of pipe after assembly is complete.**

**Note: Loctite (supplied by others) should be used on any non-patch hardware.**

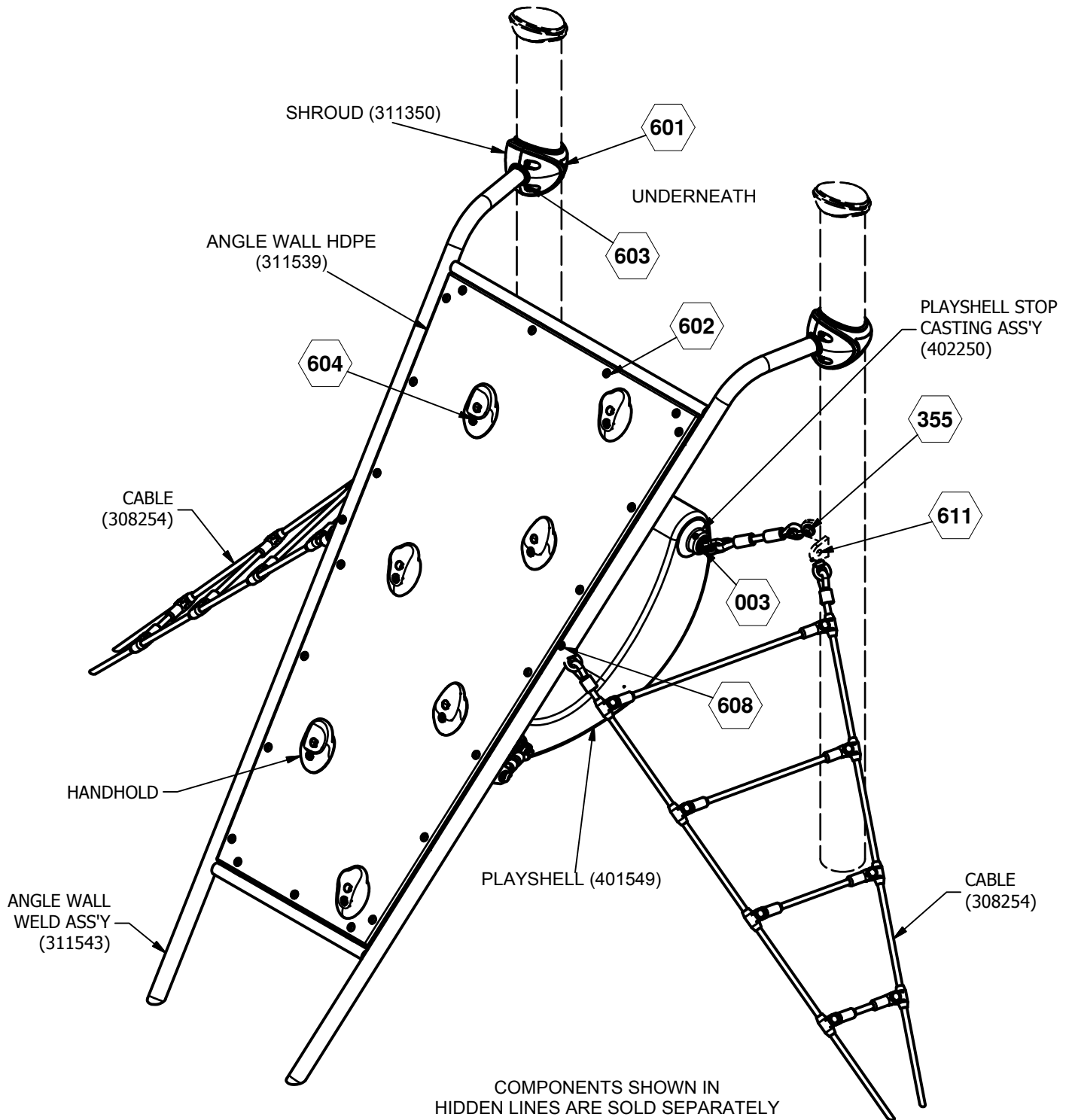
***BT464 INCLINED CLIMBER*****INSTALLATION INSTRUCTIONS:**

1. Dig footing holes as shown in Elevation and Plan Views. Refer to Top View for correct Upright and orientation.
2. Attach Angle Wall to Uprights using 3/8" x 5 3/4" Hex Head Bolt, 3/8" Flat Washer, and 3/8" Lock Nut. See Detail 601.
3. Attach Shroud to Uprights using 1/4" x 1 1/4" P.B.H.C.S and 1/4" Flat Washer (5/8" O.D.). See Detail 603.
4. Attach Angle Wall HDPE to Angle Wall using 3/8" x 3/4" P.B.H.C.S w/Patch, 3/8" Flat Washer, and 3/8" Barrel Nut. See Detail 602.
5. Attach Handholds to Angle Wall HDPE using 3/8" x 1 1/2" P.B.H.C.S w/Patch, 3/8" Flat Washer, and 3/8" Barrel Nut. See Detail 604.
6. Attach Cable to Angle Wall using 3/8" x 2 1/2" P.B.H.C.S w/Patch and 3/8" Flat Washer. See Detail 608.
7. Attach Cable to Tabs located on Uprights. See Detail 611.
8. Locate the Playshell and connect Playshell Pipe using Playshell Stop Casting Ass'y. See Detail 001.
9. Attach 15" Cables to Playshell. See Detail 003.
10. Attach 15" Cables to Tabs located on Uprights. See Detail 355.
11. Plumb and level the entire assembly and tighten all fasteners.
12. After entire unit is assembled pour concrete footings within 4" to the top and taper away from post for water drainage. Allow to cure at least 48 hours before use. Temporary bracing may be required until concrete cures.
13. When the structure is finished and satisfactory, eliminate sharp points and sharp edges (burring) on installed hardware like bolts, nuts etc. Install resilient surfacing material within the use zone of play structure in accordance with ASTM specifications F1292 appropriate for the fall height of each structure. Refer to the safety guidelines.

**MAINTENANCE PROCEDURE:**

Periodically check hardware for tightness, and tighten as necessary. Always check all parts for breakage or wear, and immediately put equipment out of service until any faulty parts found are repaired or replaced. Also Check all metal parts for rust, paint loss and touch-up if necessary with paint. Check for welded areas and verify integrity. Check periodically resilient surfacing for appropriate depth and remove extraneous materials that could cause injury, infection, or disease. Maintain detailed installation, inspection, maintenance, and repair records for each public-use playground equipment.

**BT464 INCLINED CLIMBER**



 = INSTALLATION DETAIL

**FINISHED ASSEMBLY**

Issued/Revised: 03/04/13

**BigToys**<sup>®</sup>

SHEET 3 OF 7

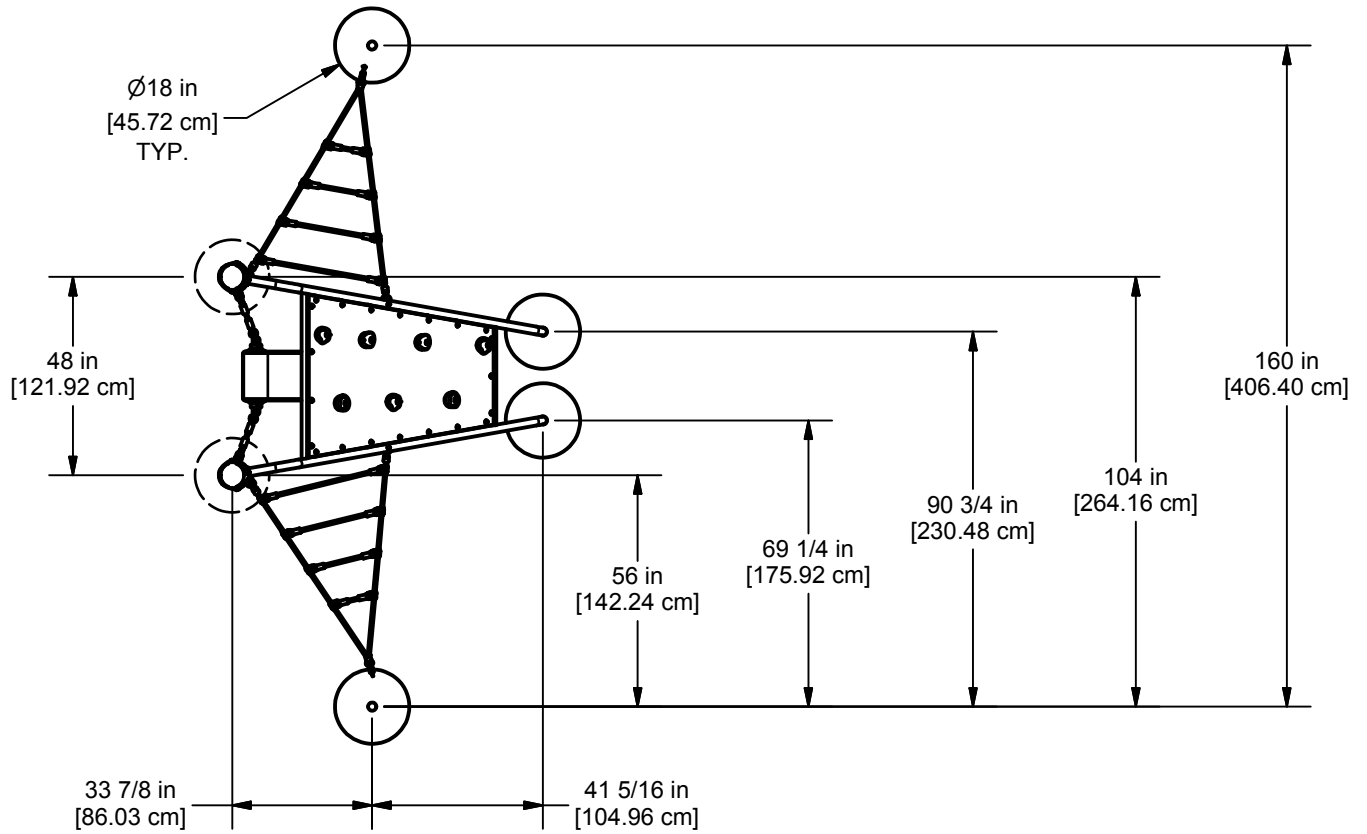
1-866-814-8697

A PLAYCORE Company

bigtoys.com

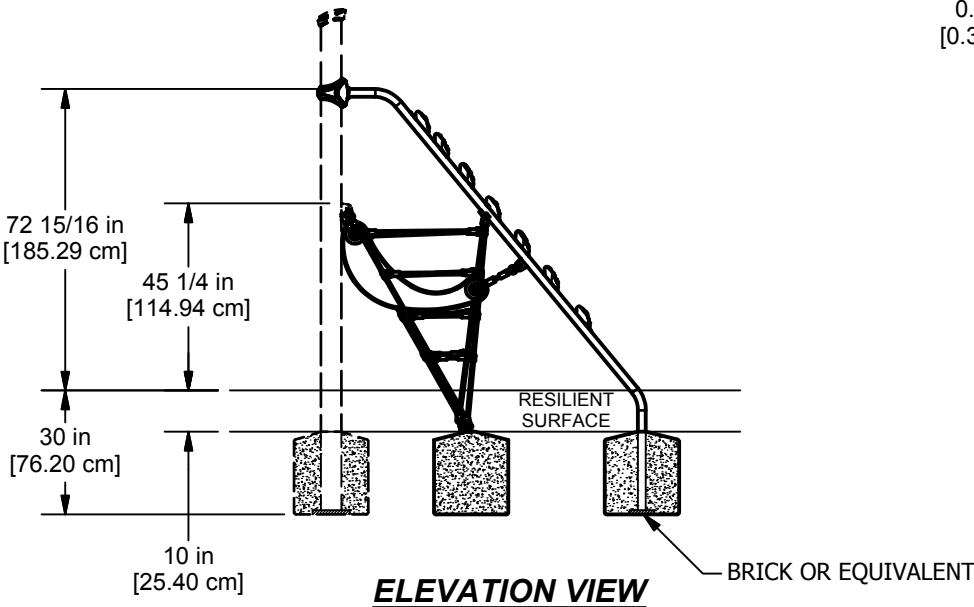


**BT464 INCLINED CLIMBER**

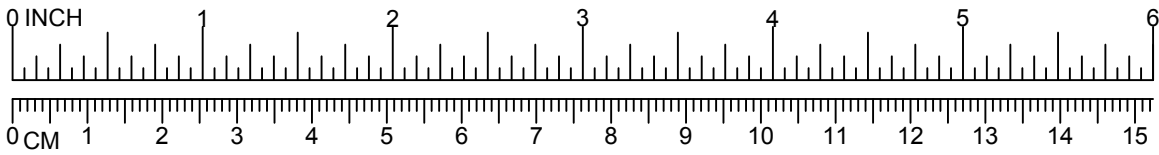


**PLAN VIEW**

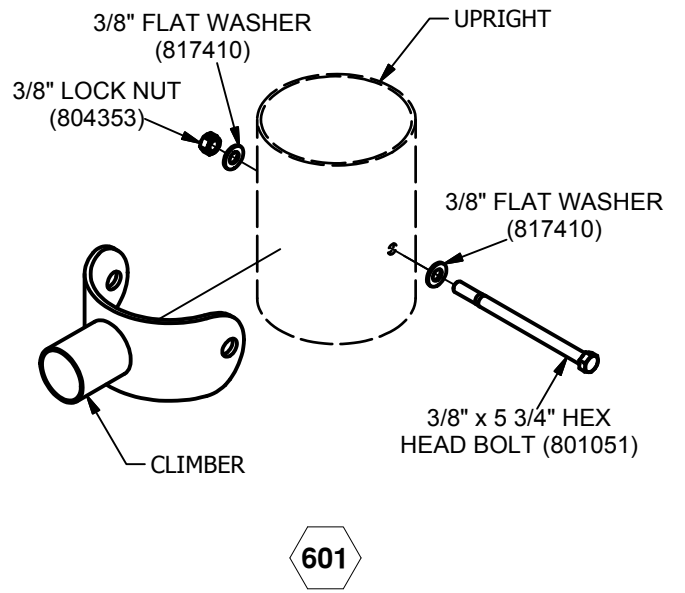
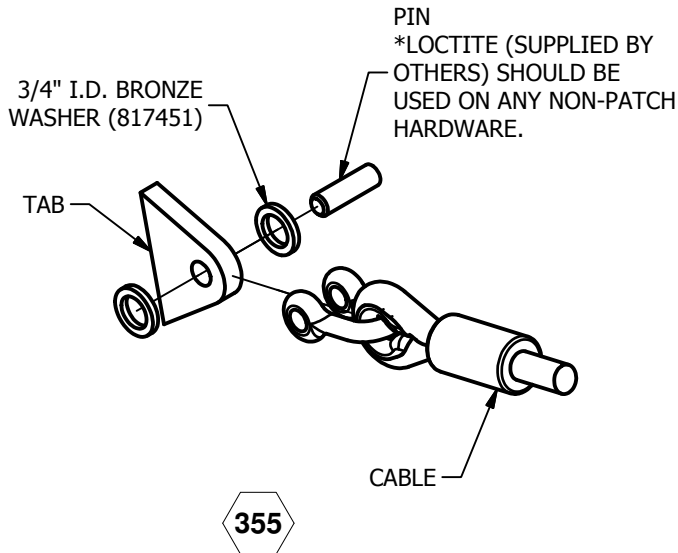
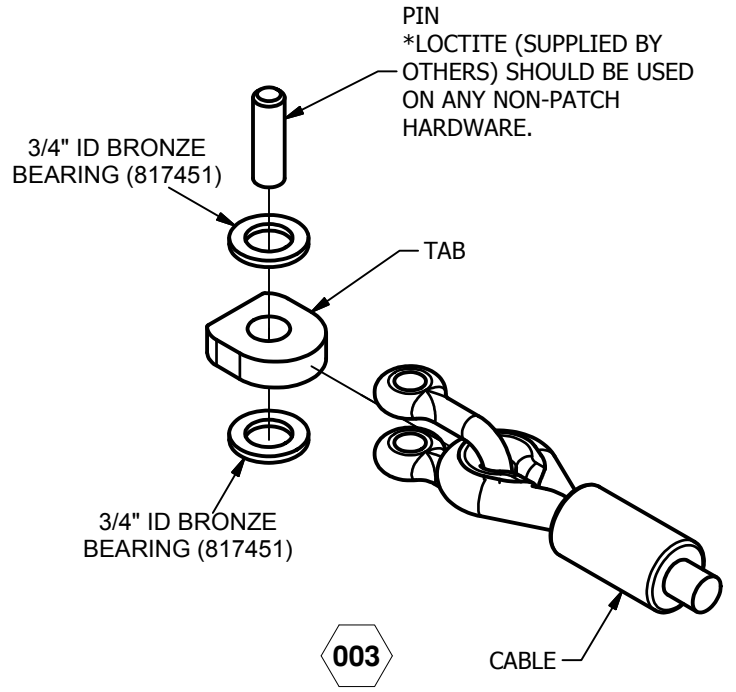
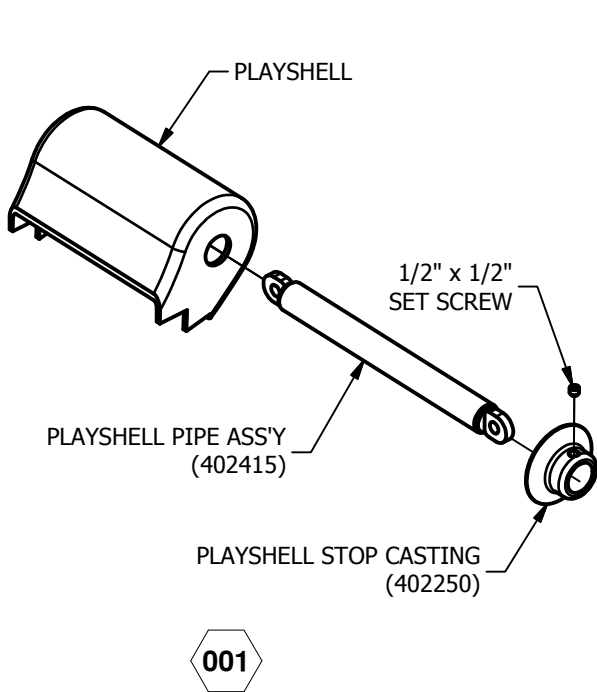
**CONCRETE REQUIRED**  
0.436 CUBIC YARDS  
[0.332 CUBIC METERS]

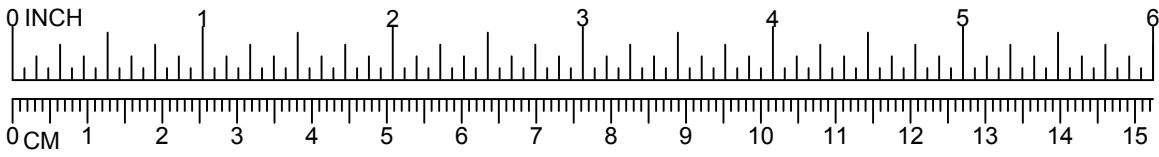


**ELEVATION VIEW**

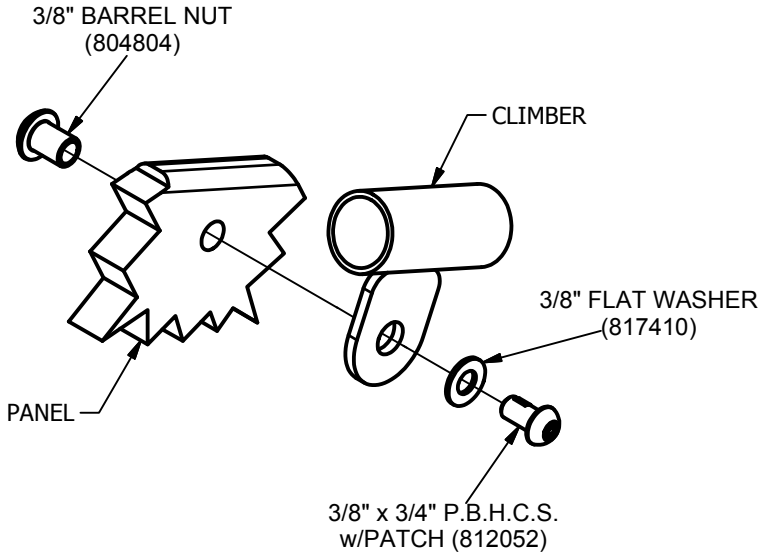


# BT464 INCLINED CLIMBER

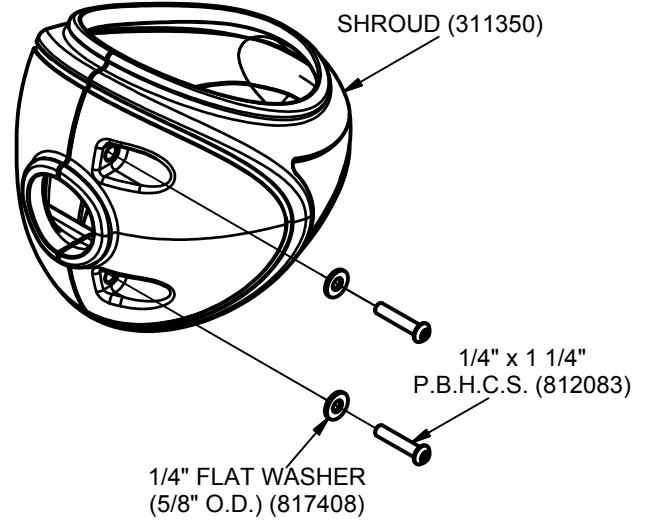




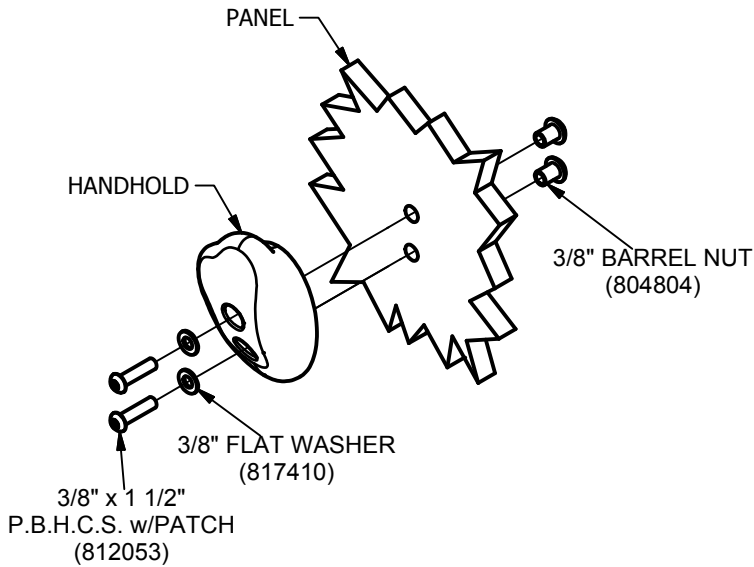
# BT464 INCLINED CLIMBER



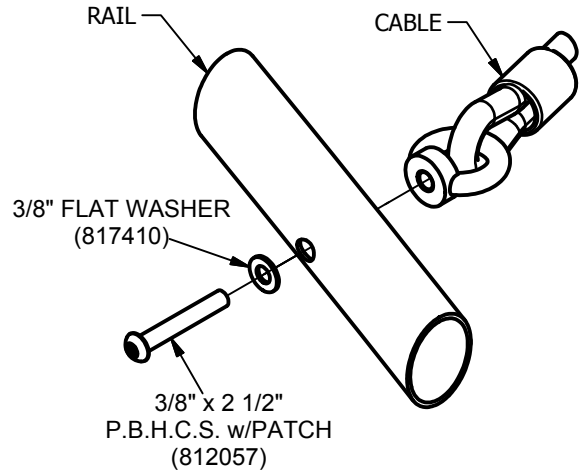
602



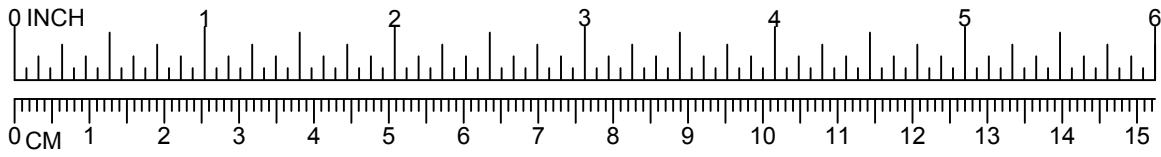
603



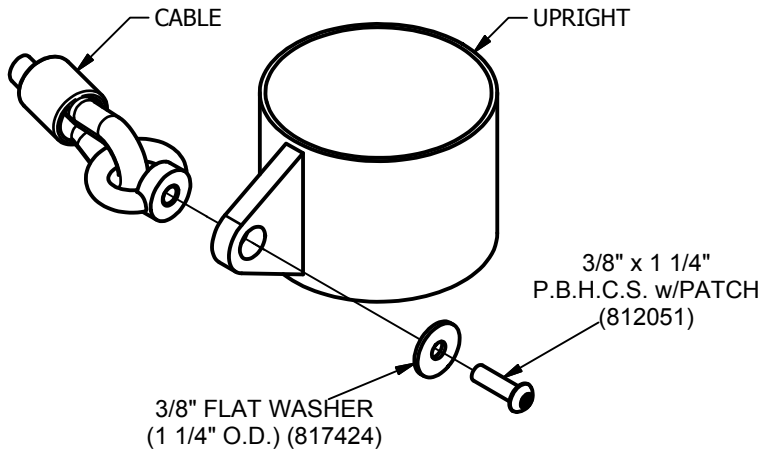
604



608



## BT464 INCLINED CLIMBER



611

## BT467 ACTIVE LINK

| Parts List                       |     |             |
|----------------------------------|-----|-------------|
| DESCRIPTION                      | QTY | PART NUMBER |
| BOTTOM RAIL                      | 1   | 311449      |
| TOP RAIL                         | 1   | 311453      |
| SUPPORT PIPE 1                   | 1   | 311446      |
| SUPPORT PIPE 2                   | 1   | 311443      |
| SUPPORT PIPE 3                   | 1   | 311440      |
| SUPPORT PIPE 4                   | 1   | 311436      |
| FIN HDPE                         | 5   | 311455      |
| LARGE HDPE PIPE                  | 1   | 311433      |
| SMALL HDPE PIPE                  | 1   | 311430      |
| LARGE HDPE                       | 1   | 311514      |
| CABLE                            | 1   | 308254      |
| CABLE PIPE                       | 1   | 311428      |
| ROUND PIPE 1                     | 2   | 311484      |
| ROUND PIPE 2                     | 1   | 311483      |
| ROUND PIPE 3                     | 1   | 311482      |
| ROUND PIPE 4                     | 1   | 311481      |
| <b>HARDWARE COMPLETE</b>         | 1   | 311512      |
| 3/8" x 3/4" P.B.H.C.S. w/PATCH   | 21  | 812052*     |
| 3/8" x 1" P.B.H.C.S. w/PATCH     | 7   | 812050*     |
| 3/8" x 1 3/4" P.B.H.C.S. w/PATCH | 1   | 812054*     |
| 3/8" x 2" P.B.H.C.S. w/PATCH     | 5   | 812055*     |
| 3/8" x 2 1/2" P.B.H.C.S. w/PATCH | 1   | 812057*     |
| 3/8" x 5 3/4" HEX HEAD BOLT      | 4   | 801051*     |
| 3/8" LOCKWASHER                  | 7   | 817334*     |
| 3/8" FLAT WASHER                 | 41  | 817410*     |
| 3/8" BARREL NUT                  | 28  | 804804*     |
| 3/8" LOCK NUT                    | 4   | 804353*     |
| 3/8" ACORN NUT                   | 5   | 804002*     |
| 1/4" FLAT WASHER (5/8" O.D.)     | 8   | 817408*     |
| 1/4" x 1 1/4" P.B.H.C.S.         | 8   | 812083*     |
| SHROUD                           | 4   | 311350*     |

*Unless Otherwise Specified, All Units of Measure are Each*

*\*Items listed below Hardware Complete line are included with Hardware Complete Number*

**Warning: During Installation, Hardware And Small Parts Are Choking Hazards For Young Children. Store Unused Parts Appropriately Until Assembly Is Completed. Once Assembly Is Completed, Remove Any Unused Parts From The Play Environment And Dispose/Save Them In A Secure Location. Any bolt end protruding more than two full threads beyond the face of the nut causes risk of clothing entanglement.**

**Promptly cut-off flush, file smooth, and treat to prevent corrosion.**

**Note: Peen Tee-Nuts and Flatwashers to match radius of pipe after assembly is complete.**

**Note: Loctite (supplied by others) should be used on any non-patch hardware.**

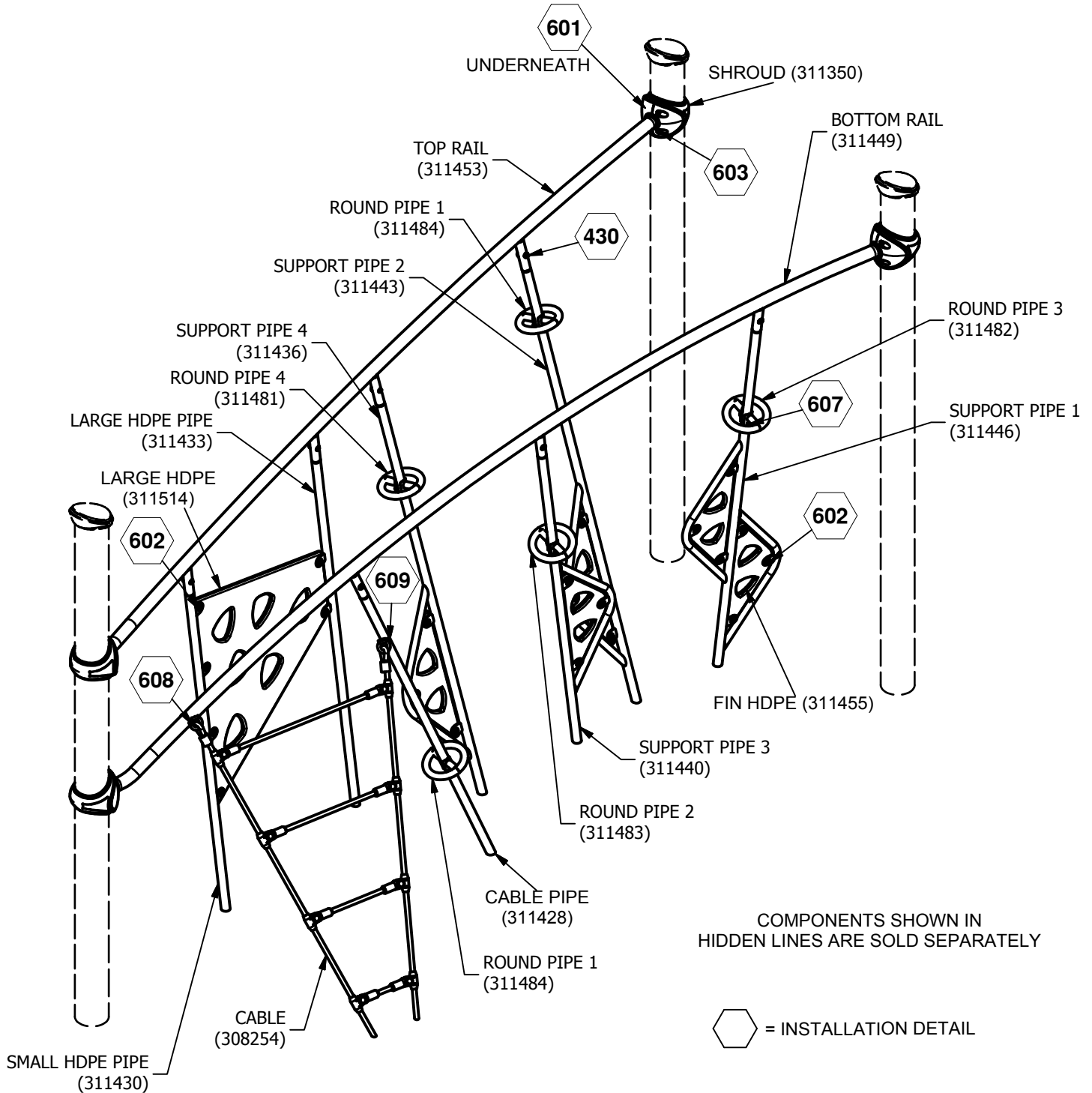
**BT467 ACTIVE LINK****INSTALLATION INSTRUCTIONS:**

1. Dig footing holes as shown in Elevation and Plan Views. Refer to Top View for correct Upright and orientation.
2. Attach Bottom Rail to Uprights using 3/8" x 5 3/4" Hex Head Bolt, 3/8" Flat Washer, and 3/8" Lock Nut. See Detail 601.
3. Attach Top Rail to Uprights using 3/8" x 5 3/4" Hex Head Bolt, 3/8" Flat Washer, and 3/8" Lock Nut. See Detail 601.
4. Attach Fin HDPE to Support Pipes 1,2,3, and 4 using 3/8" x 3/4" P.B.H.C.S w/Patch, 3/8" Flat Washer, and 3/8" Barrel Nut. See Detail 602.
5. Attach Large HDPE to Large HDPE Pipe and Small HDPE Pipe using 3/8" x 3/4" P.B.H.C.S w/Patch, 3/8" Flat Washer, and 3/8" Barrel Nut. See Detail 602.
6. Attach Round Pipe 1,2,3, and 4 to Support Pipe 1,2,3,4 using 3/8" x 2" P.B.H.C.S w/Patch, 3/8" Flat Washer, and 3/8" Acorn Nut. See Detail 607.
7. Attach Round Pipe 1 to Cable Pipe using 3/8" x 2" P.B.H.C.S w/Patch, 3/8" Flat Washer, and 3/8" Acorn Nut. See Detail 607.
8. Attach Support Pipe 1 and 3 to Bottom Rail using 3/8" x 1" P.B.H.C.S w/Patch, 3/8" Lock Washer, and 3/8" Barrel Nut. See Detail 430.
9. Attach Cable Pipe to Bottom Rail using 3/8" x 1" P.B.H.C.S w/Patch, 3/8" Lock Washer, and 3/8" Barrel Nut. See Detail 430.
10. Attach Support Pipe 2, 4, to Top Rail using 3/8" x 1" P.B.H.C.S w/Patch, 3/8" Lock Washer, and 3/8" Barrel Nut. See Detail 430.
11. Attach Large and Small HDPE Pipe to Top Rail using 3/8" x 1" P.B.H.C.S w/Patch, 3/8" Lock Washer, and 3/8" Barrel Nut. See Detail 430.
12. Attach Cable to Cable Pipe using 3/8" x 1 3/4" P.B.H.C.S w/Patch, 3/8" Flat Washer. See Detail 608.
13. Attach Cable to Bottom Rail using 3/8" x 2 1/2" P.B.H.C.S w/Patch, 3/8" Flat Washer. See Detail 609.
14. Attach Shroud to Uprights using 1/4" x 1 1/4" P.B.H.C.S and 1/4" Flat Washer (5/8" O.D.). See Detail 603.
15. Plumb and level the entire assembly and tighten all fasteners.
16. After entire unit is assembled pour concrete footings within 4" to the top and taper away from post for water drainage. Allow to cure at least 48 hours before use. Temporary bracing may be required until concrete cures.
17. When the structure is finished and satisfactory, eliminate sharp points and sharp edges (burring) on installed hardware like bolts, nuts etc. Install resilient surfacing material within the use zone of play structure in accordance with ASTM specifications F1292 appropriate for the fall height of each structure. Refer to the safety guidelines.

**MAINTENANCE PROCEDURE:**

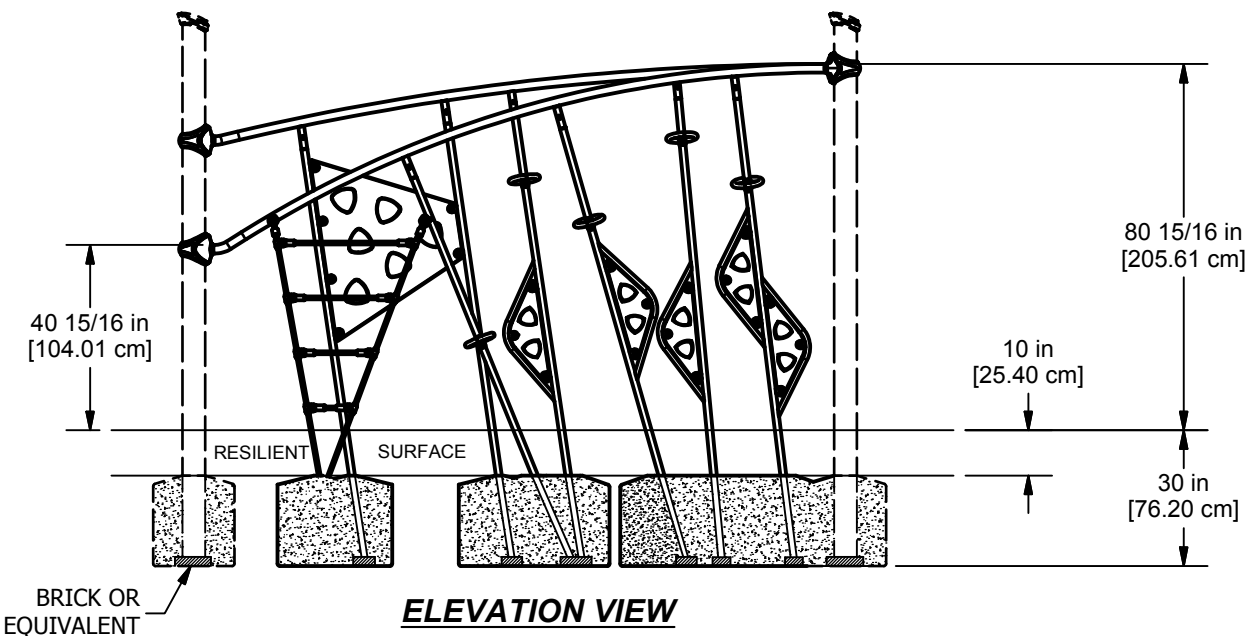
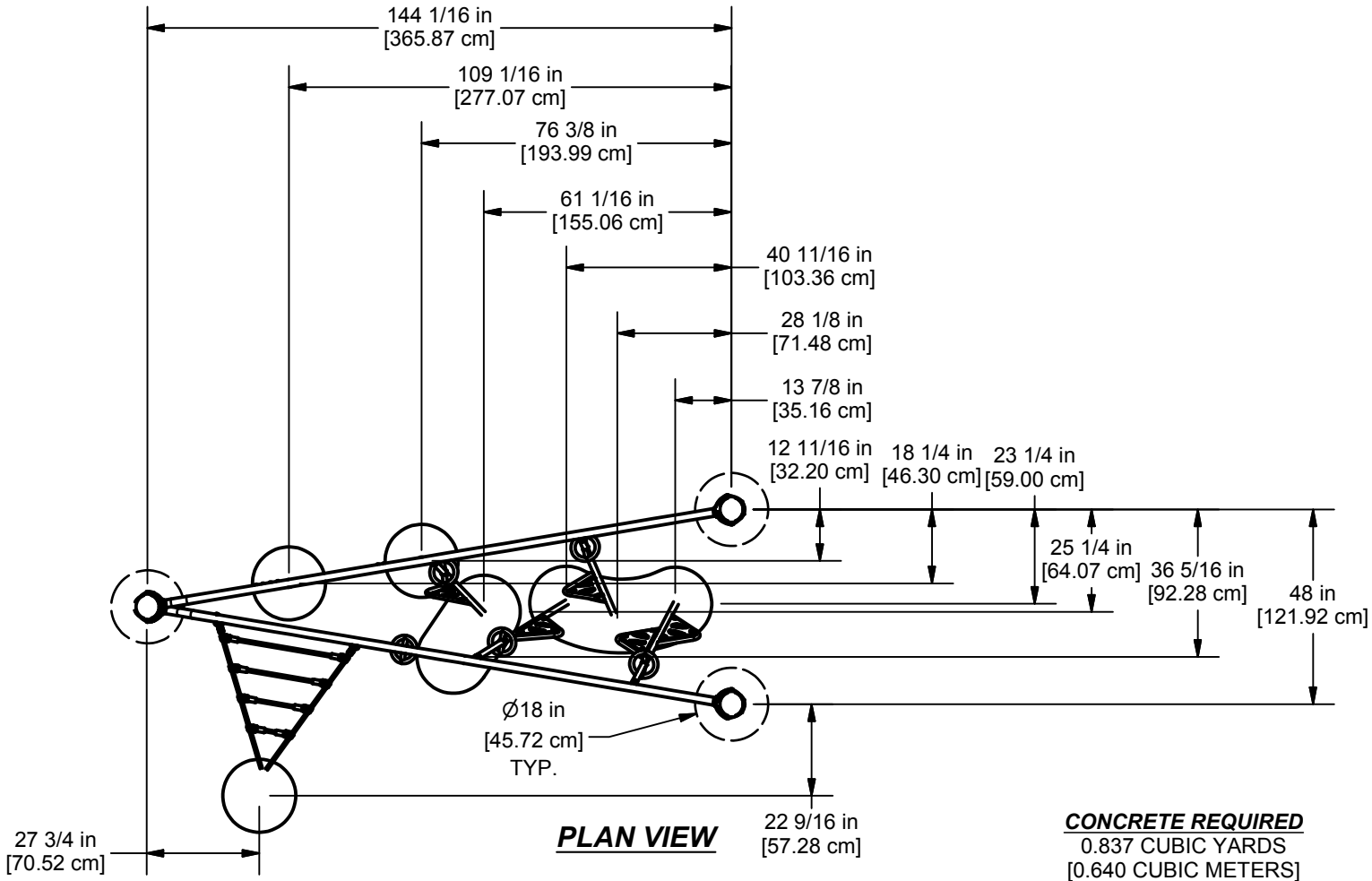
Periodically check hardware for tightness, and tighten as necessary. Always check all parts for breakage or wear, and immediately put equipment out of service until any faulty parts found are repaired or replaced. Also Check all metal parts for rust, paint loss and touch-up if necessary with paint. Check for welded areas and verify integrity. Check periodically resilient surfacing for appropriate depth and remove extraneous materials that could cause injury, infection, or disease. Maintain detailed installation, inspection, maintenance, and repair records for each public-use playground equipment.

**BT467 ACTIVE LINK**

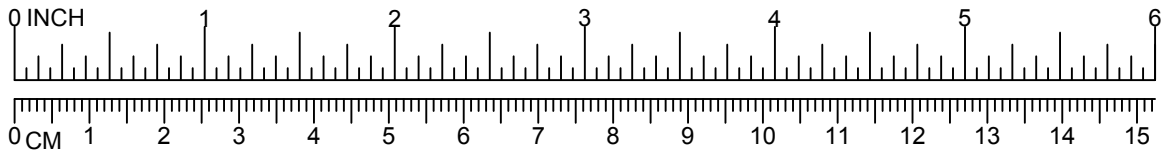


**FINISHED ASSEMBLY**

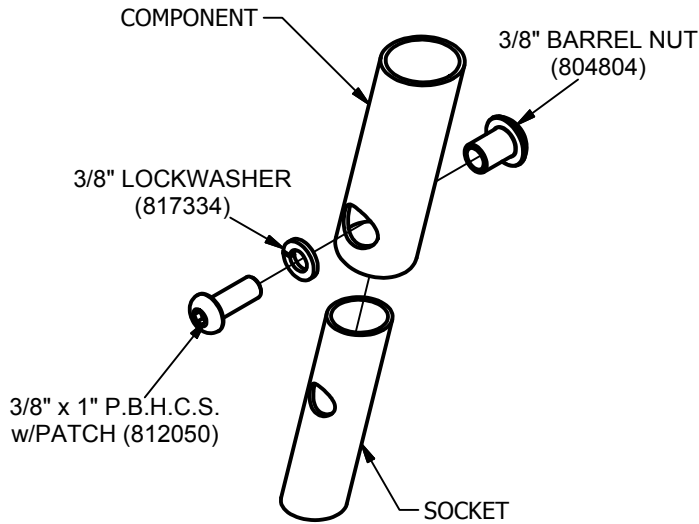
## BT467 ACTIVE LINK



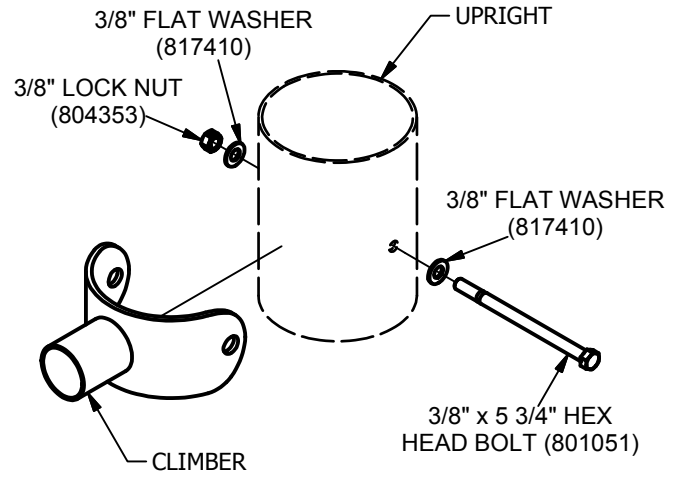




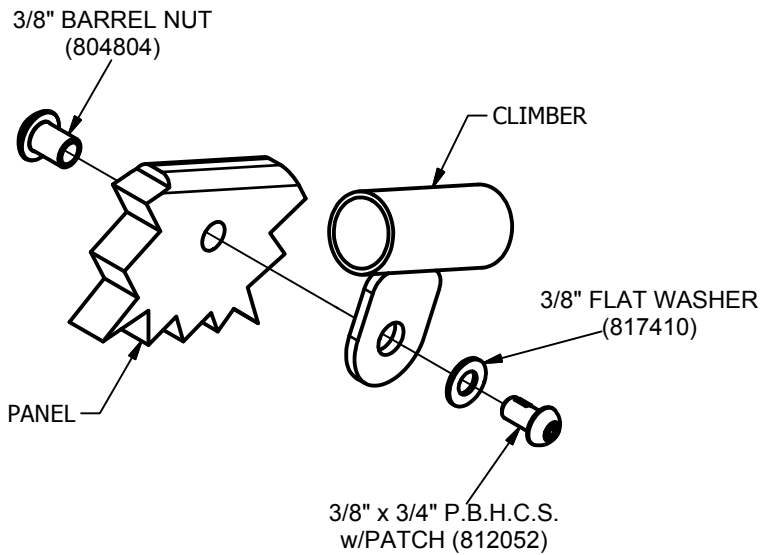
## BT467 ACTIVE LINK



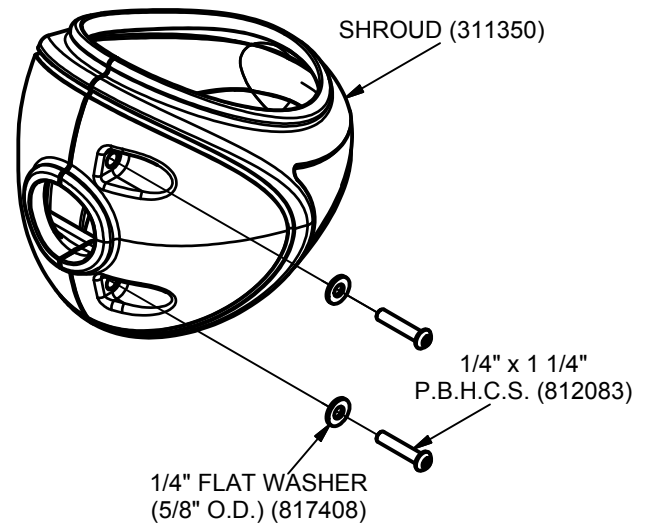
430



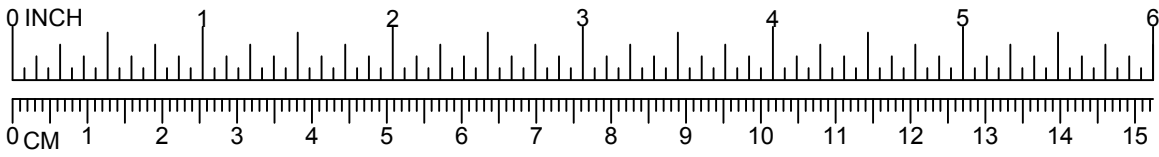
601



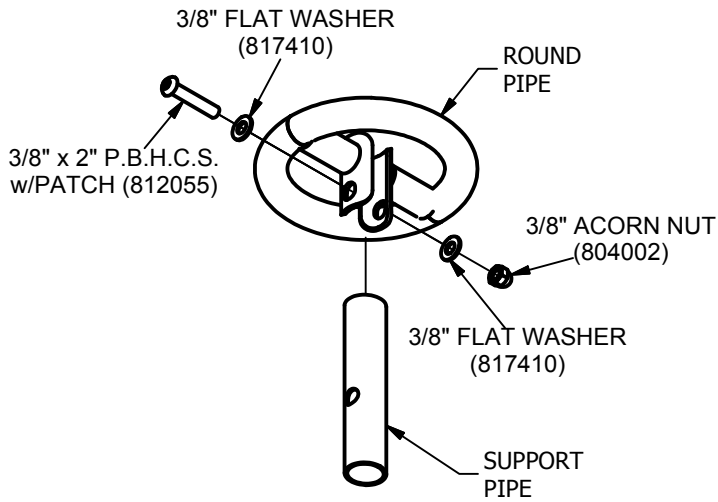
602



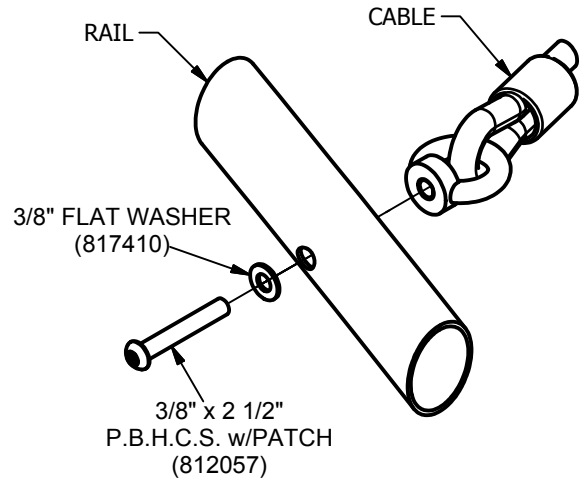
603



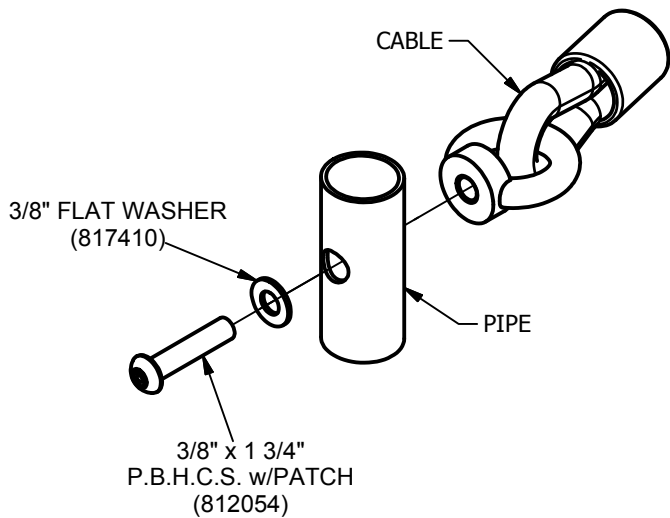
# BT467 ACTIVE LINK



607



608



609

## BT471 SINGLE PLAYSHELL

| Parts List                   |     |             |
|------------------------------|-----|-------------|
| DESCRIPTION                  | QTY | PART NUMBER |
| PLAYSHELL                    | 1   | 401549      |
| PLAYSHELL PIPE               | 2   | 402415      |
| TOP PIPE                     | 1   | 402438      |
| BOTTOM PIPE                  | 1   | 402440      |
| <b>HARDWARE COMPLETE</b>     | 1   | 404379      |
| 14 15/16" CABLE              | 2   | 309082*     |
| 22 1/2" CABLE                | 2   | 309153*     |
| SHROUD                       | 2   | 311350*     |
| PLAYSHELL STOP CASTING ASS'Y | 4   | 402250*     |
| 1/4" x 1 1/4" P.B.H.C.S.     | 4   | 812083*     |
| 1/4" FLAT WASHER (5/8" O.D.) | 4   | 817408*     |
| 3/8" x 5 3/4" HEX HEAD BOLT  | 2   | 801051*     |
| 3/8" FLAT WASHER             | 4   | 817410*     |
| 3/8" LOCK NUT                | 2   | 804353*     |
| 3/4" ID BRONZE BEARING       | 16  | 817451*     |

*Unless Otherwise Specified, All Units of Measure are Each*

*Items listed below Hardware Complete line are included with Hardware Complete Number*

**Warning: During Installation, Hardware And Small Parts Are Choking Hazards For Young Children. Store Unused Parts Appropriately Until Assembly Is Completed. Once Assembly Is Completed, Remove Any Unused Parts From The Play Environment And Dispose/Save Them In A Secure Location. Any bolt end protruding more than two full threads beyond the face of the nut causes risk of clothing entanglement.**

*Promptly cut-off flush, file smooth, and treat to prevent corrosion.*

**Note: Peen Tee-Nuts and Flatwashers to match radius of pipe after assembly is complete.**

**Note: Loctite (supplied by others) should be used on any non-patch hardware.**

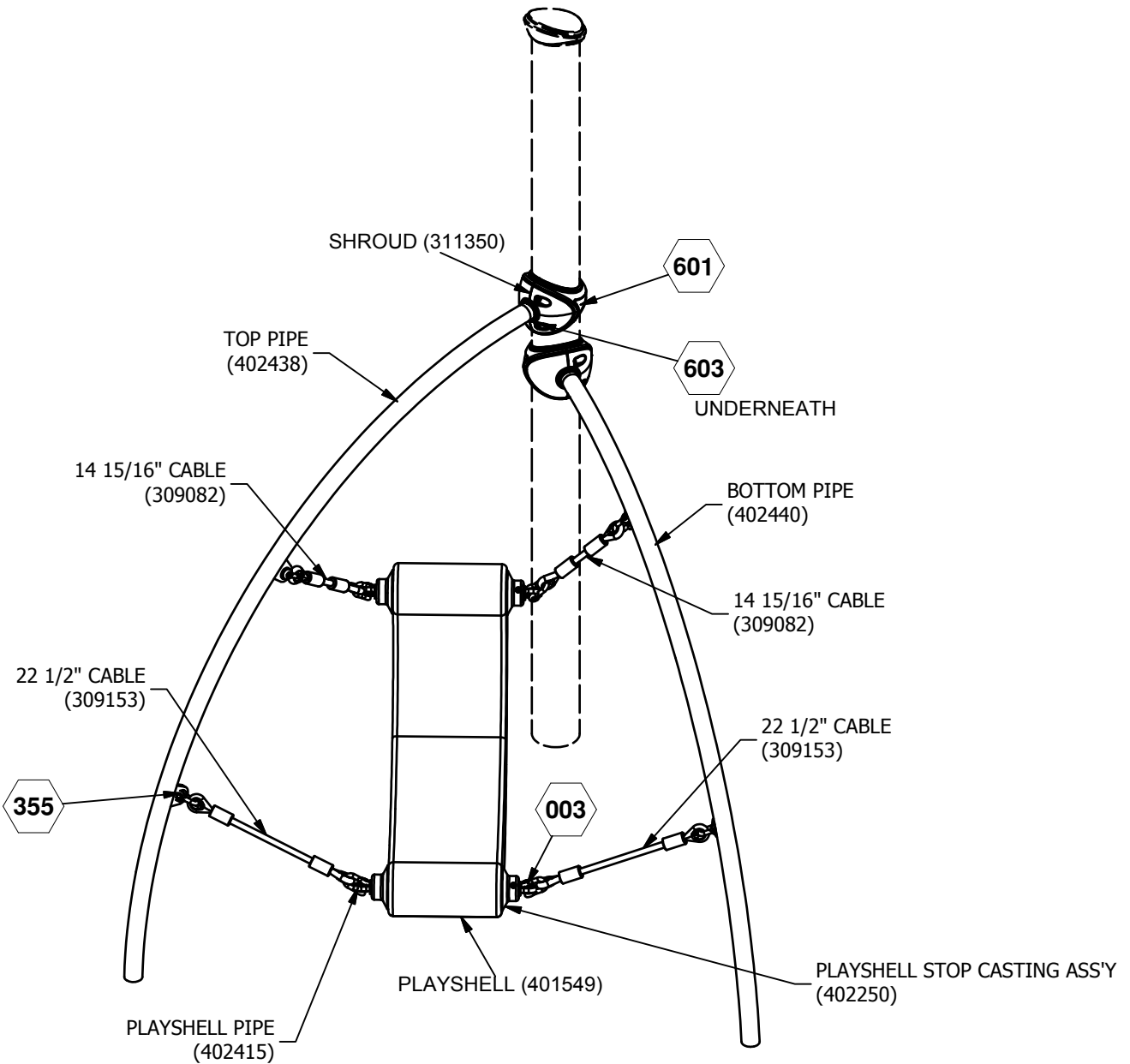
### INSTALLATION INSTRUCTIONS:

1. Dig footing holes as shown in Elevation and Plain Views. Refer to Top View for correct Upright and orientation.
2. Attach Top Pipe and Bottom Pipe to Upright using 3/8" x 5 3/4" Hex Head Bolt, 3/8" Flat Washer, and 3/8" Lock Nut. See Detail 601.
3. Attach Shrouds to Upright using 1/4" x 1 1/4" P.B.H.C.S. w/Patch and 1/4" Flat Washer (5/8" O.D.). See Detail 603.
4. Locate Playshell and connect Playshell Pipe using Playshell Stop Casting Ass'y. See Detail 001.
5. Attach 14 15/16" Cable to Playshell. See Detail 003. **NOTE:** See Finished Assembly view for correct cable location.
6. Attach 14 15/16" Cable to Tabs located on Uprights. See Detail 355. **NOTE:** See Finished Assembly view for correct cable location.
7. Attach 22 1/2" Cable to Bottom of Playshell. See Detail 003. **NOTE:** See Finished Assembly view for correct cable location.
8. Attach 22 1/2" Cable to Tabs located on Uprights. See Detail 355. **NOTE:** See Finished Assembly view for correct cable location.
9. Plumb and level the entire assembly and tighten all fasteners.
10. After entire unit is assembled pour concrete footings within 4" to the top and taper away from post for water drainage. Allow to cure at least 48 hours before use. Temporary bracing may be required until concrete cures.
11. When the structure is finished and satisfactory, eliminate sharp points and sharp edges (burring) on installed hardware like bolts, nuts, etc. Install resilient surfacing material within the use zone of play structure in accordance with ASTM specifications F1292 appropriate for the fall height of each structure. Refer to the safety guidelines.

**BT471 SINGLE PLAYSHELL**

**MAINTENANCE PROCEDURE:**

Periodically check hardware for tightness, and tighten as necessary. Always check all parts for breakage or wear, and immediately put equipment out of service until any faulty parts found are repaired or replaced. Also Check all metal parts for rust, paint loss and touch-up if necessary with paint. Check for welded areas and verify integrity. Check periodically resilient surfacing for appropriate depth and remove extraneous materials that could cause injury, infection, or disease. Maintain detailed installation, inspection, maintenance, and repair records for each public-use playground equipment.

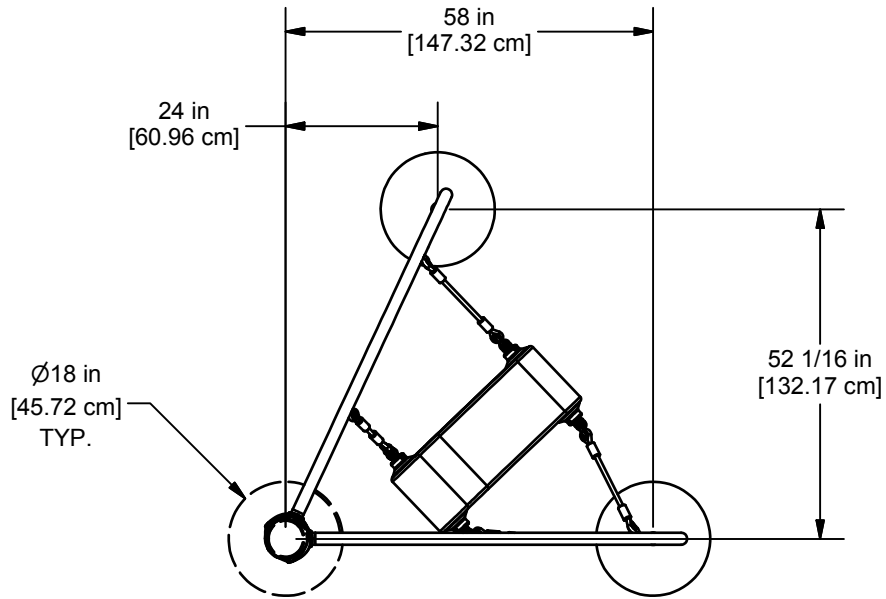


⬡ = INSTALLATION DETAIL

**FINISHED ASSEMBLY**

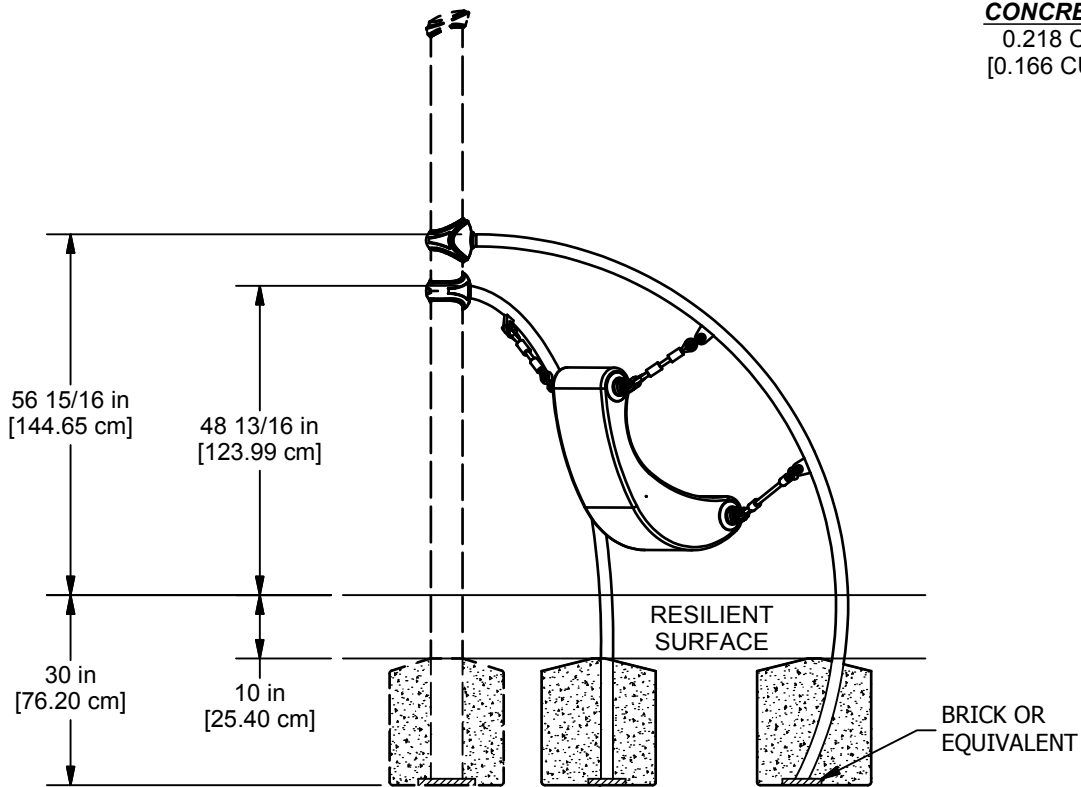
COMPONENTS SHOWN IN HIDDEN LINES ARE SOLD SEPARATELY

**BT471 SINGLE PLAYSHELL**

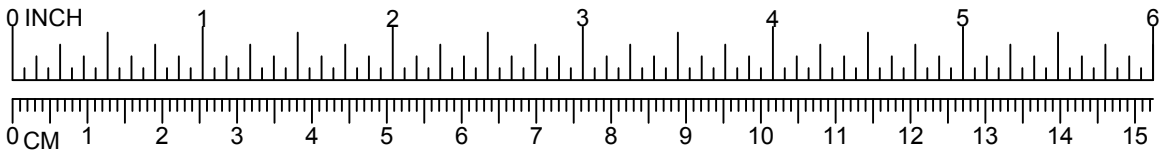


**PLAN VIEW**

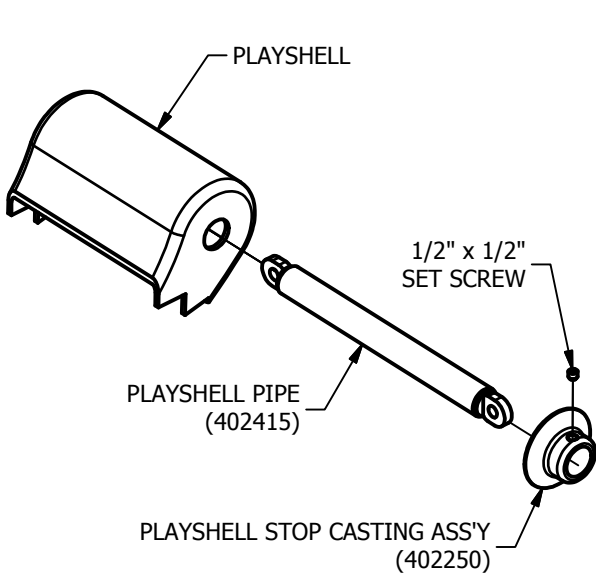
**CONCRETE REQUIRED**  
0.218 CUBIC YARDS  
[0.166 CUBIC METERS]



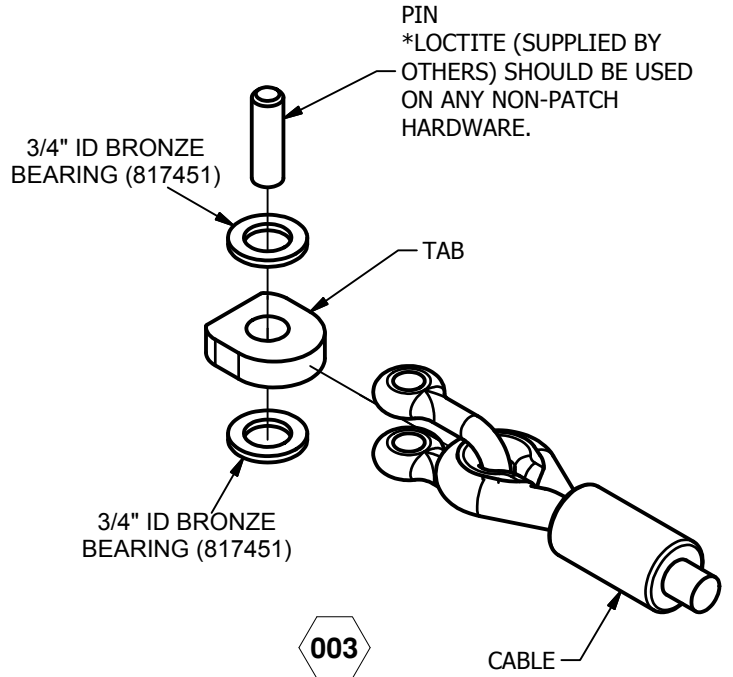
**ELEVATION VIEW**



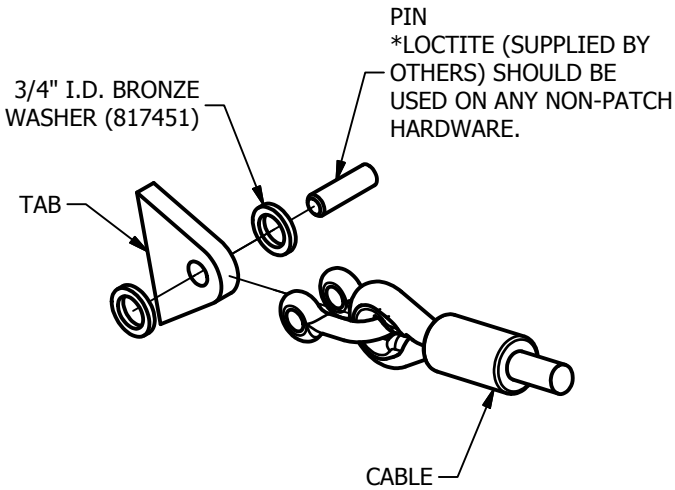
# BT471 SINGLE PLAYSHELL



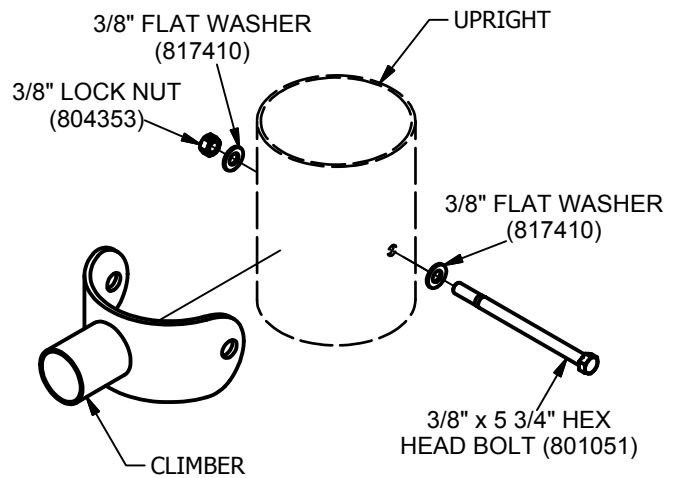
001



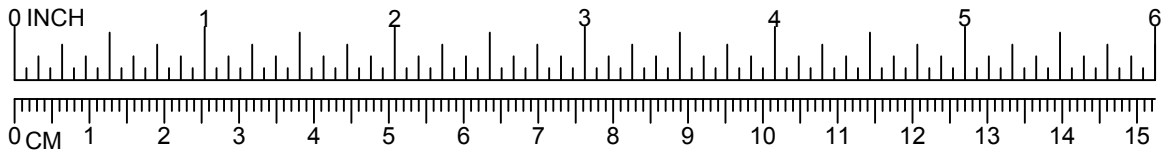
003



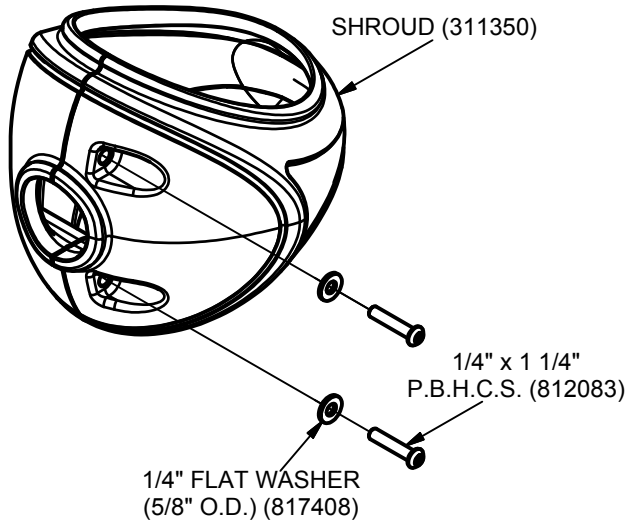
355



601



## BT471 SINGLE PLAYSHELL



603