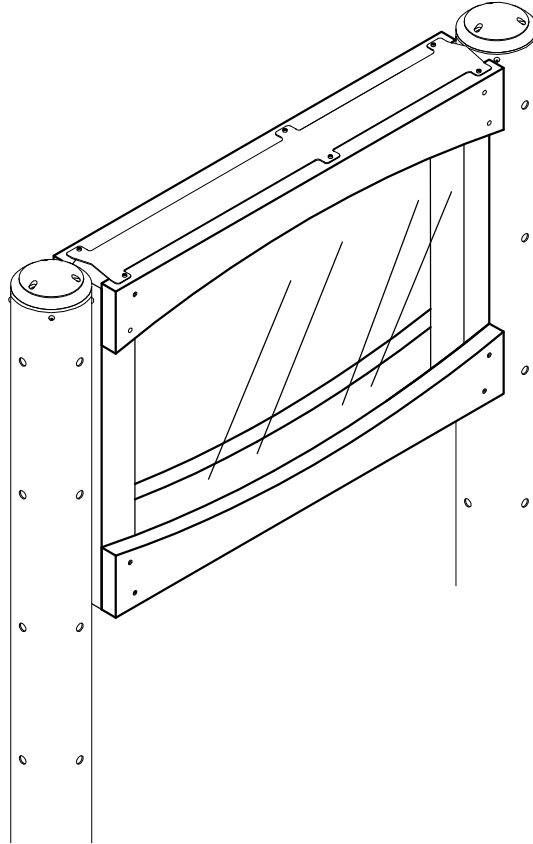

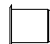












Window Enclosure GL - M

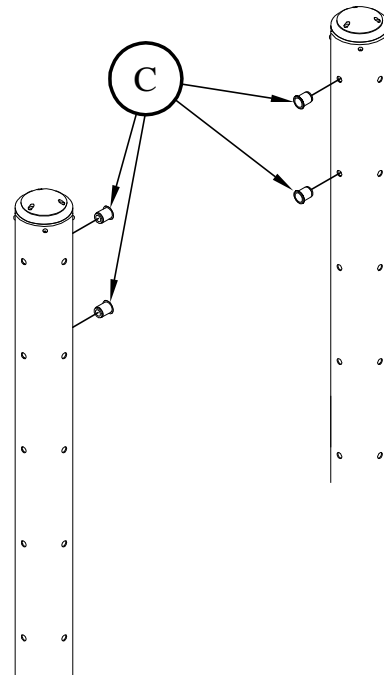
M54-035
Installation Instructions



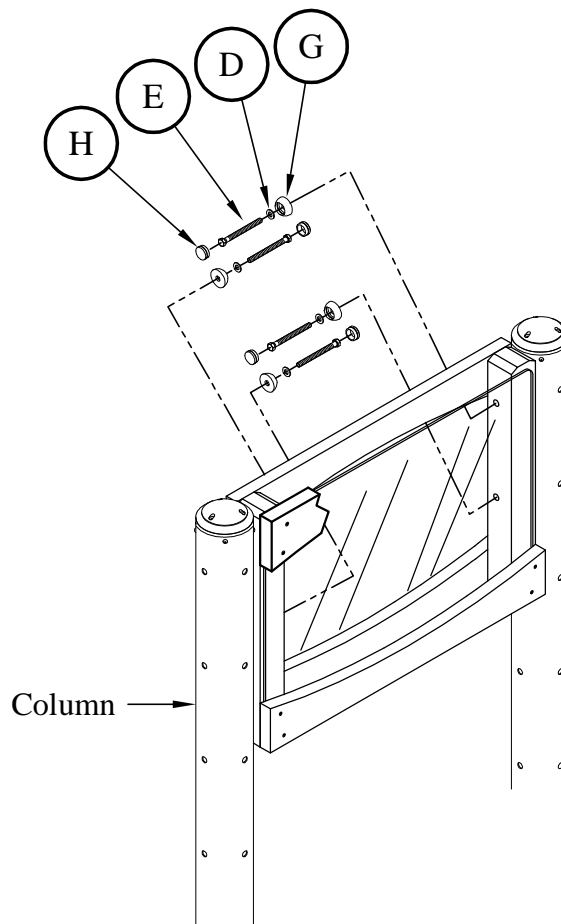
DET.	QTY.	PART#	DESCRIPTION	ICON (NOT TO SCALE)
A	1	M765_	Window Enclosure FS, Metal	
B	1	401970	Shroud, Enclosure 49-3/4"	
C	4	M000	Threaded Insert 1/2"	 
	1	E733_	Connector, Window Enclosure FS - Metal	
D	4	817465	Washer 1/2" SS AN96OC-816*009	 
E	4	800807	Bolt, 1/2 x 5" Full Thread	 
F	6	815517	Wood Screw #8 x 3/4" Phil DR PN HD SS	 
G	4	G034_	Do-Nut Base (No Boss) 12mm	 
H	4	G036_	Do-Nut Cap 12mm	 

1. Refer to your Structure Design for location and orientation of Window Panel.
2. **Install** Threaded Inserts (C) into columns.

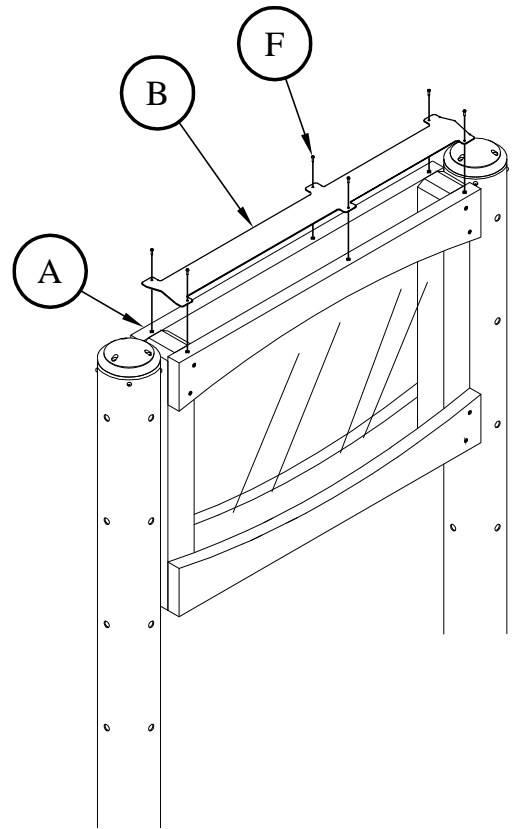
Refer to "Typical Threaded Insert Installation" in the supplemental Installation Instruction Prolog (iM1000) for installation procedures.



3. **Attach Enclosure (A) to Columns** using hardware (H)(E)(D)(G).

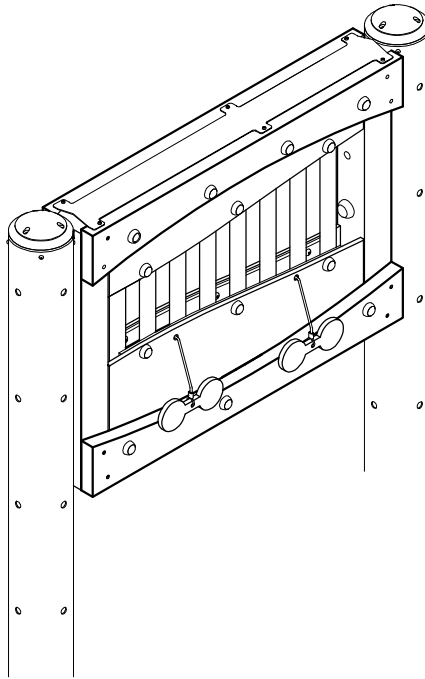


4. **Center and attach Shroud (B)** top of Enclosure (A) using hardware (F).



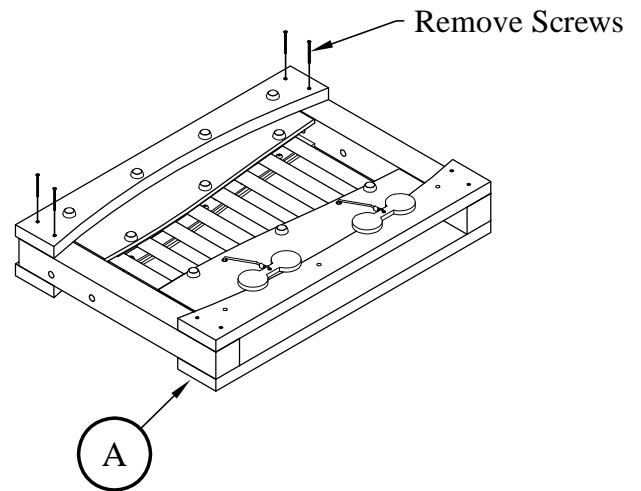
Xylophone GL w/ 4 Strikers

M54-037 , M05-034
Installation Instructions

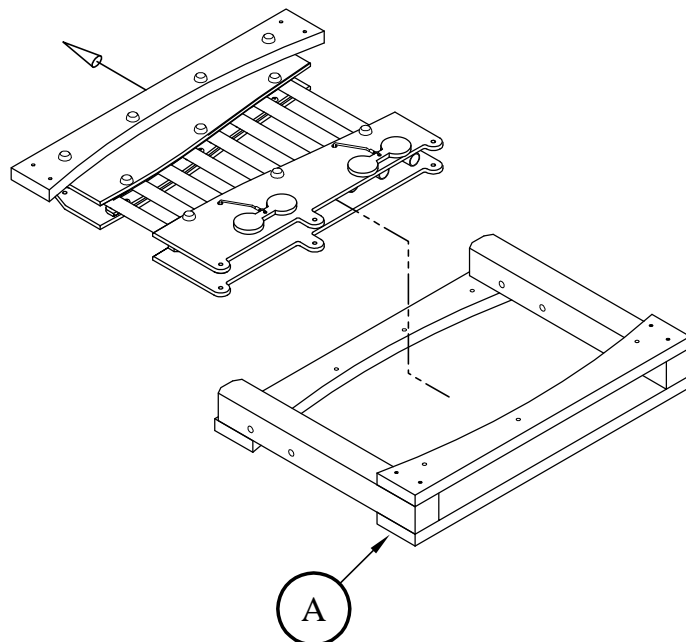


DET.	QTY.	PART#	DESCRIPTION	ICON (NOT TO SCALE)	
A	1	401968	Xylophone Assembly		
B	1	401970	Shroud, Enclosure 49-3/4"		
C	4	M000	Threaded Insert 1/2"		
	1	E729_	Connector Xylophone Enclosure FS - M		
D	2	817465	Washer 1/2" SS AN96OC-816*009		
E	4	800807	Bolt, 1/2 x 5" Full Thread		
F	10	801009	Bolt Hex 3/8-16 x 2-1/2" Grd 2 NC Pltd		
G	4	810061	Screw, Sht Metal FH SQ DR #10 x 3" SS		
H	6	815517	Wood Screw #8 x 3/4" Phil DR PN HD SS		
I	10	G030_	Do-Nut Base (No Boss) 10mm		
J	10	G032_	Do-Nut Cap 10mm		
K	2	G034_	Do-Nut Base (No Boss) 12mm		
L	2	G036_	Do-Nut Cap 12mm		
M	10	804353	Nut Hex 3/8-16 2-Way Locknut NC PLTD		
N	2	817412	1/2" Flat Washer, 1-1/16" OD SS		

1. **Remove four screws at the top** of the Xylophone Assembly (A).

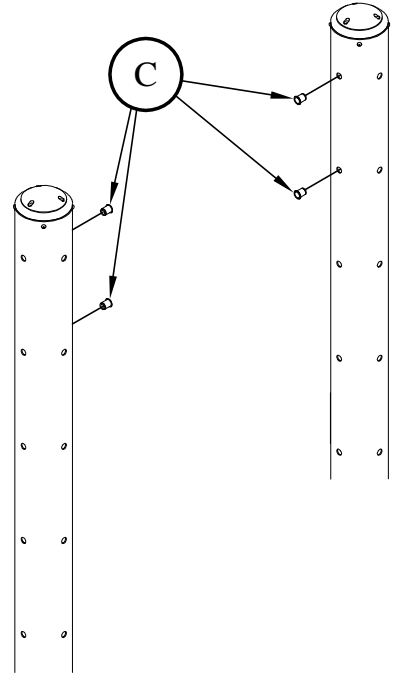


2. **Remove the Xylophone Panel** from Assembly (A).

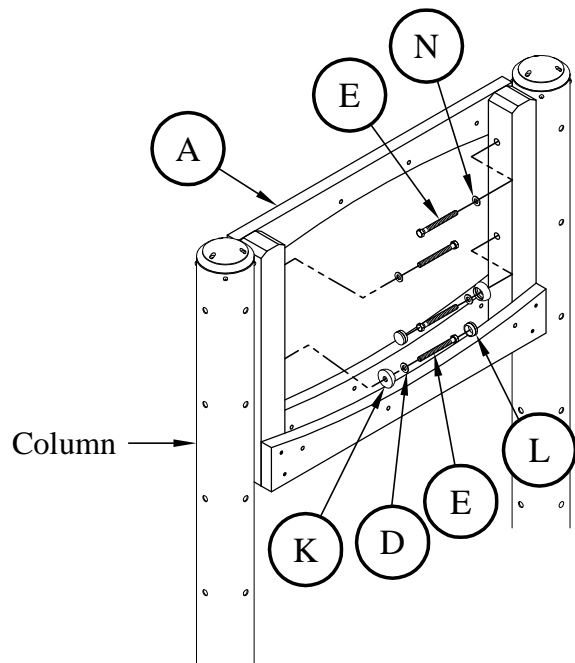


3. Refer to your Structure Design for location and orientation of Xylophone Assembly.
4. **Install** Threaded Inserts (C) into columns.

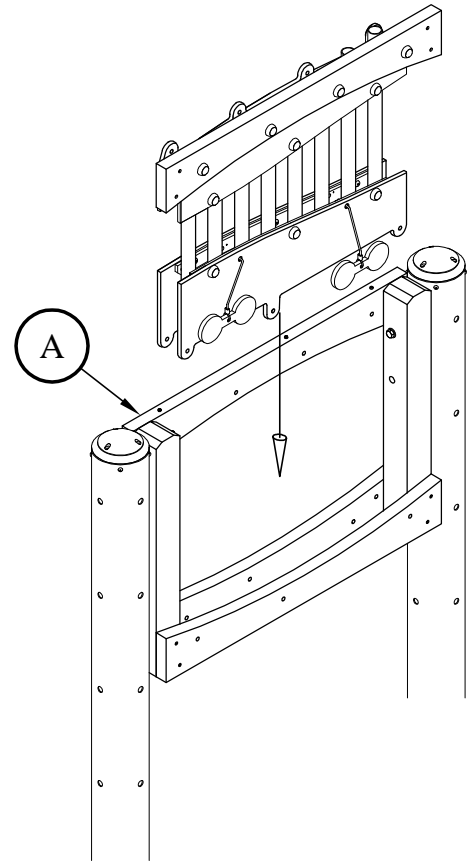
Refer to "Typical Threaded Insert Installation" in the supplemental Installation Instruction Prolog (iM1000) for installation procedures.



5. **Attach Assembly (A) to Columns** using hardware (E)(N)(K)(D)(L).

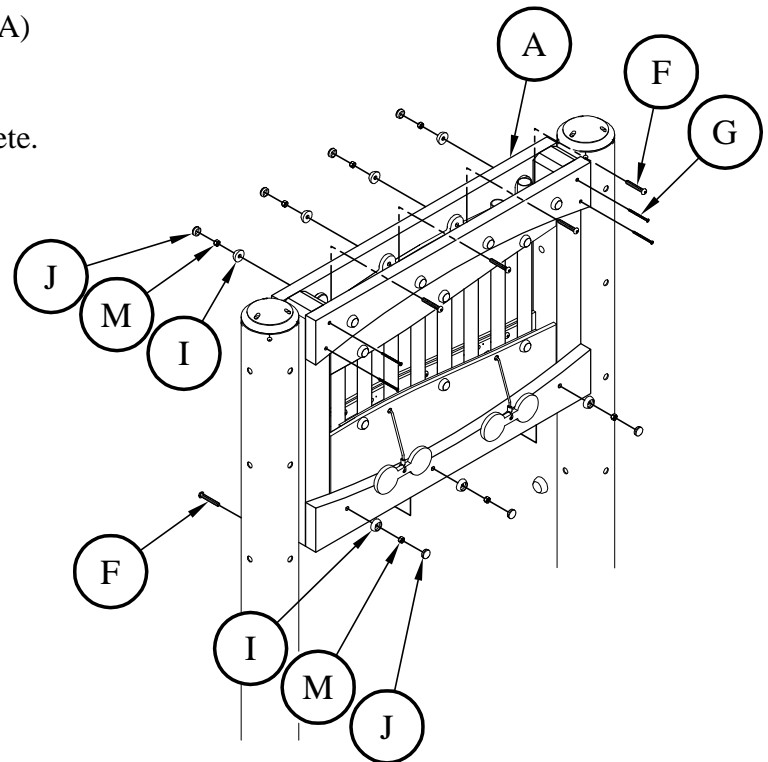


6. **Insert Xylophone Panel** into Assembly (A) as shown.



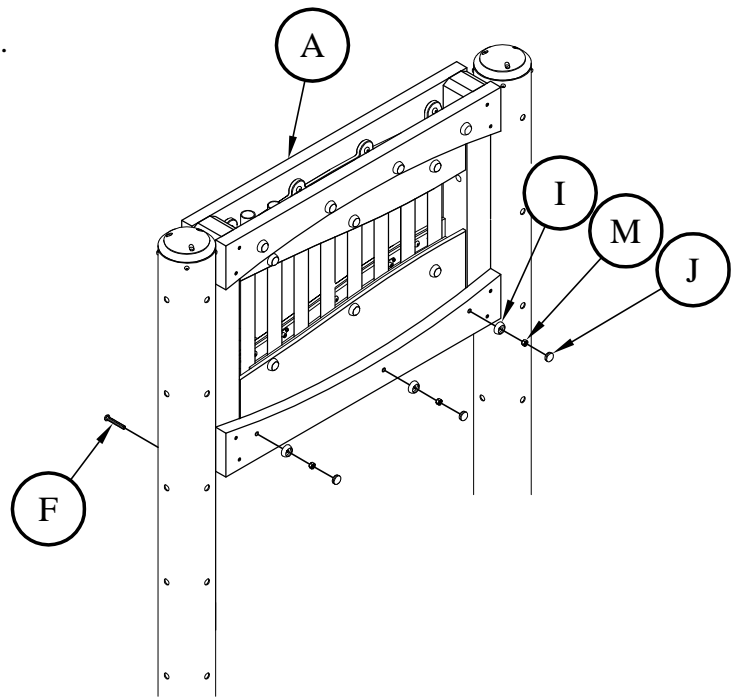
7. **Attach Xylophone Panel** to Assembly (A) using hardware (F)(I)(M)(J).

8. **Install Screws (G)** after Step 5 is complete.
Note: Do not over tighten Screws (G)!

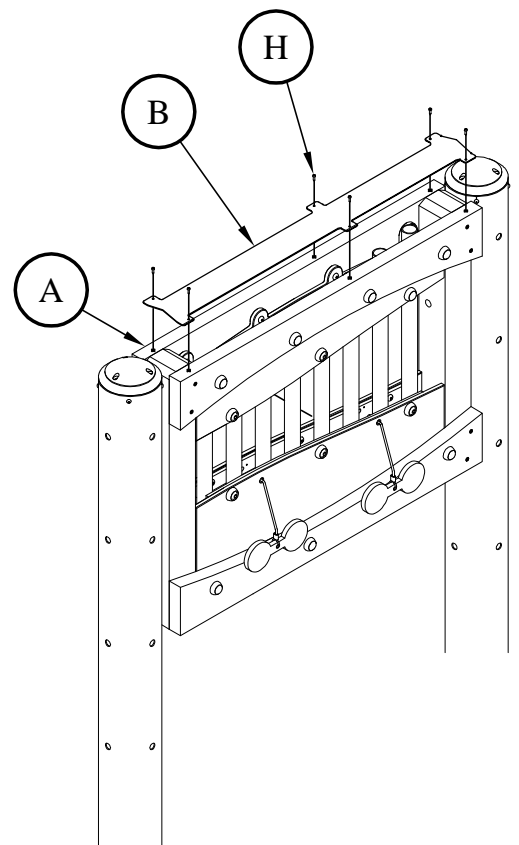


Do not over tighten Screws (G)!

9. **Finish attaching** Xylophone Panel (A) to Assembly (A) using hardware (F)(I)(M)(J).

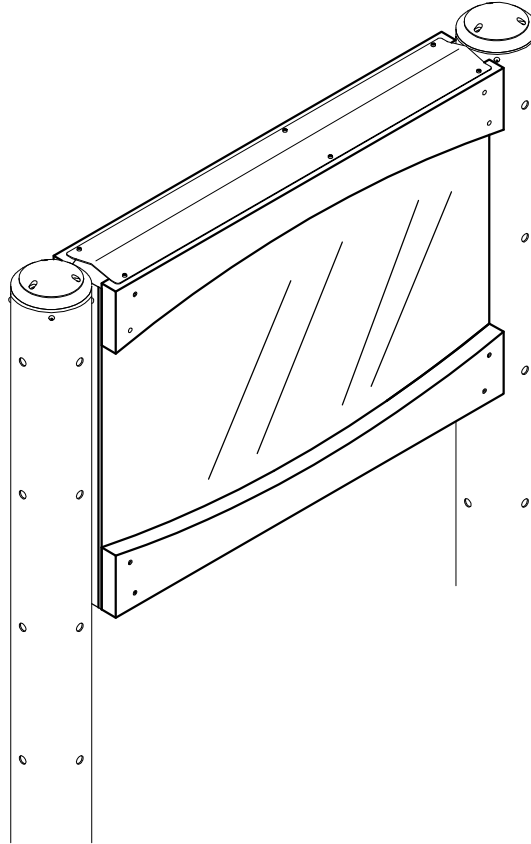



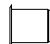










10. **Center and attach Shroud (B)** top of Assembly (A) using hardware (H).



Mirror Enclosure GL - M

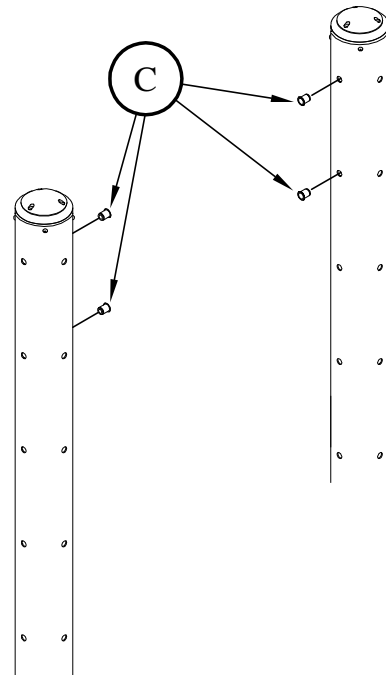
M54-038
Installation Instructions



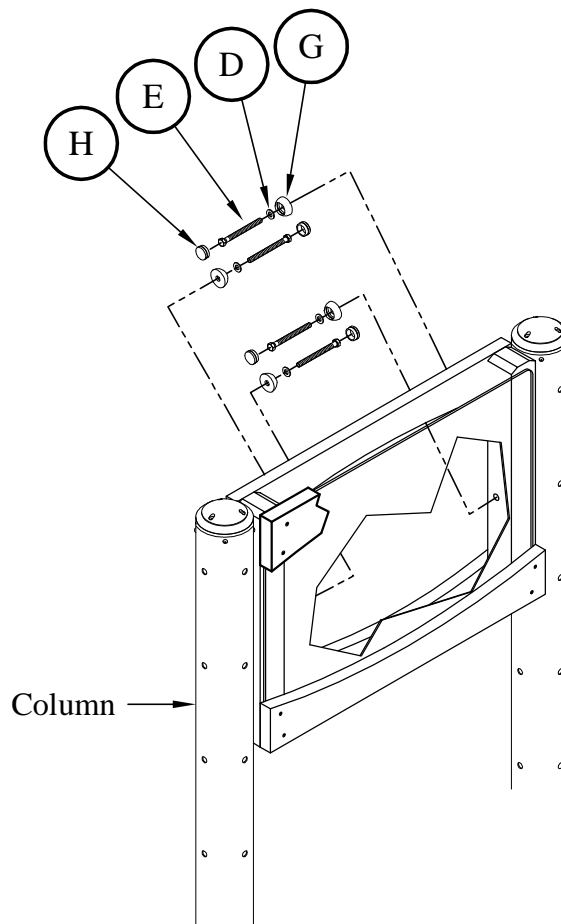
DET.	QTY.	PART#	DESCRIPTION	ICON (NOT TO SCALE)
A	1	M766_	Mirror Enclosure FS, Metal	
B	1	401970	Shroud, Enclosure 49-3/4"	
C	4	M000	Threaded Insert 1/2"	 
	1	E733_	Connector, Window Enclosure FS - Metal	
D	4	817465	Washer 1/2" SS AN96OC-816*009	 
E	4	800807	Bolt, 1/2 x 5" Full Thread	 
F	6	815517	Wood Screw #8 x 3/4" Phil DR PN HD SS	 
G	4	G034_	Do-Nut Base (No Boss) 12mm	 
H	4	G036_	Do-Nut Cap 12mm	 

1. Refer to your Structure Design for location and orientation of Window Panel.
2. **Install** Threaded Inserts (C) into columns.

Refer to "Typical Threaded Insert Installation" in the supplemental Installation Instruction Prolog (iM1000) for installation procedures.



3. **Attach Enclosure (A) to Columns** using hardware (H)(E)(D)(G).



4. **Center and attach Shroud (B)** top of Enclosure (A) using hardware (F).

