

## BT402 NORTH STAR

Parts List		
DESCRIPTION	QTY	PART NUMBER
INCLINED WALL	1	BT464
NAVICLIMB INVERTED	1	BT476
TWISTED TRIDENT	1	BT468
UPRIGHT 1	1	402487
UPRIGHT 2	1	402489
<b>HARDWARE COMPLETE</b>	1	311634
5" POST TOP COVER	2	311349*
3/8" x 1/2" P.B.H.C.S. w/PATCH	4	812049*

*Unless Otherwise Specified, All Units of Measure are Each*

*Items listed below Hardware Complete line are included with Hardware Complete Number*

**Warning: During Installation, Hardware And Small Parts Are Choking Hazards For Young Children. Store Unused Parts Appropriately Until Assembly Is Completed. Once Assembly Is Completed, Remove Any Unused Parts From The Play Environment And Dispose/Save Them In A Secure Location. Any bolt end protruding more than two full threads beyond the face of the nut causes risk of clothing entanglement. Promptly cut-off flush, file smooth, and treat to prevent corrosion.**

**Note: Peen Tee-Nuts and Flatwashers to match radius of pipe after assembly is complete.**

**Note: Loctite (supplied by others) should be used on any non-patch hardware.**

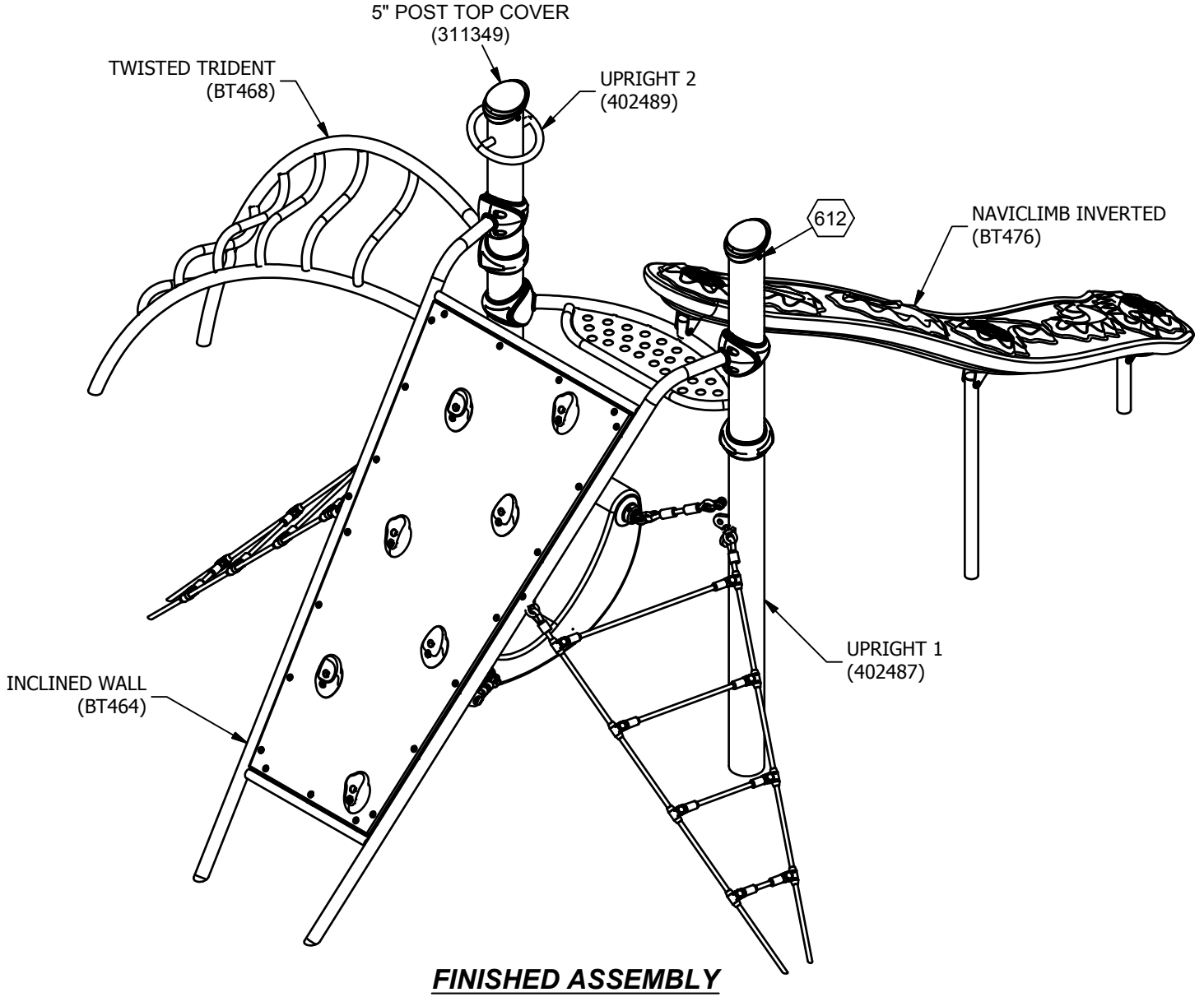
### **INSTALLATION INSTRUCTIONS:**

1. Dig footing holes as shown in Ground Plan. See specific installation sheets for Elevation Views.
2. Refer to specific installation sheets for component attachments, hardware, details, and concrete requirements.
3. Attach 5" Post Top Cover to Uprights using 3/8" x 1/2" P.B.H.C.S. w/Patch. See Detail 612.
4. Plumb and level the entire assembly and tighten all fasteners.
5. After entire discrete unit is assembled pour concrete footings within 4" to the top and taper away from post for water drainage. Allow to cure at least 48 hours before use. **NOTE:** Temporary bracing may be required until concrete cures.
6. When the structure is finished and satisfactory, eliminate sharp points and sharp edges (burring) on installed hardware like bolt, nuts, etc. Install resilient surfacing material within the use zone of play structure in accordance with ASTM specifications F1292 appropriate for the fall height of each structure. Refer to the safety guidelines.

### **MAINTENANCE PROCEDURE:**

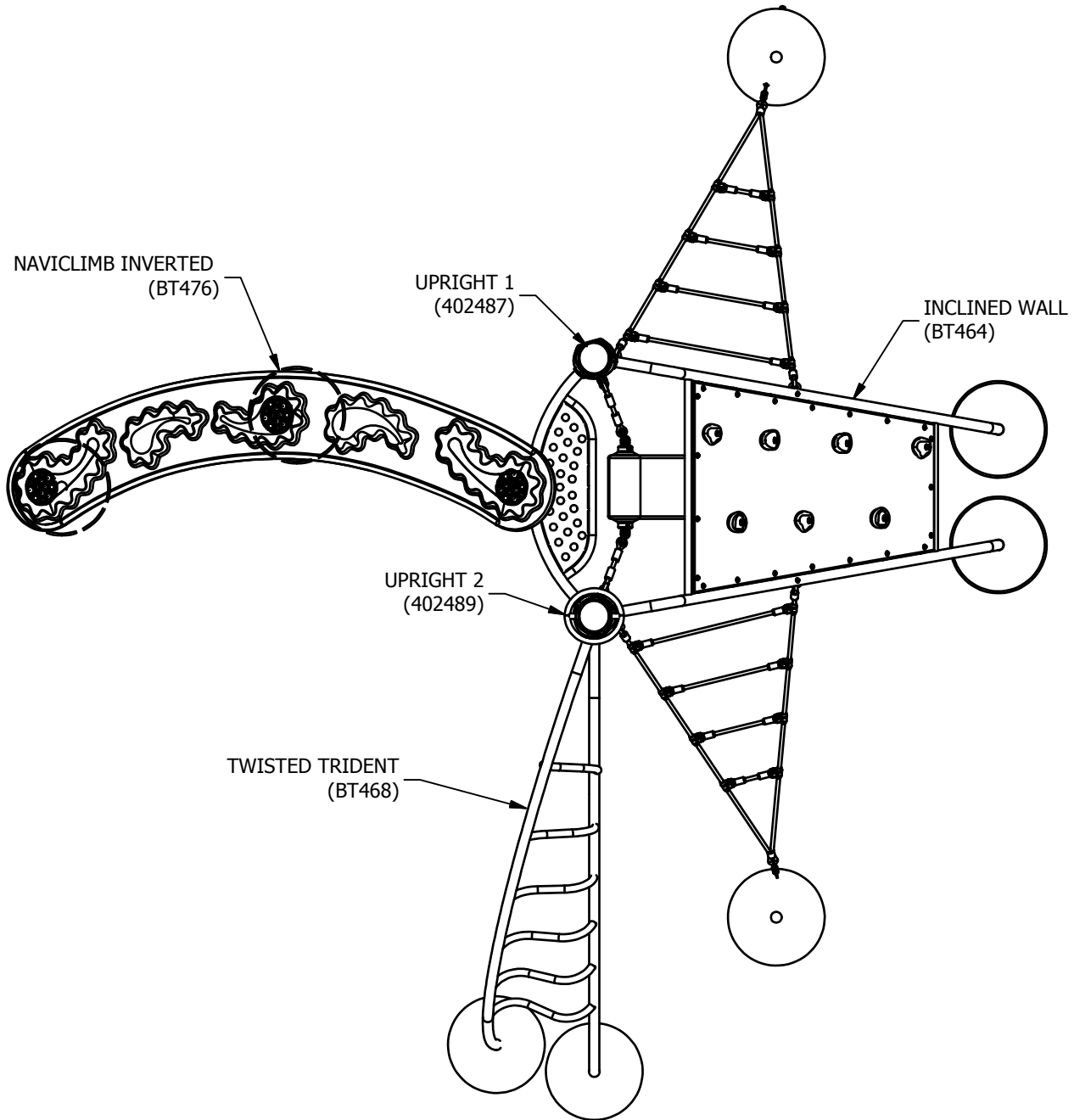
Periodically check hardware for tightness, and tighten as necessary. Always check all parts for breakage or wear, and immediately put equipment out of service until any faulty parts found are repaired or replaced. Also Check all metal parts for rust, paint loss and touch-up if necessary with paint. Check for welded areas and verify integrity. Check periodically resilient surfacing for appropriate depth and remove extraneous materials that could cause injury, infection, or disease. Maintain detailed installation, inspection, maintenance, and repair records for each public-use playground equipment.

**BT402 NORTH STAR**



⬡ = INSTALLATION DETAIL

*BT402 NORTH STAR*

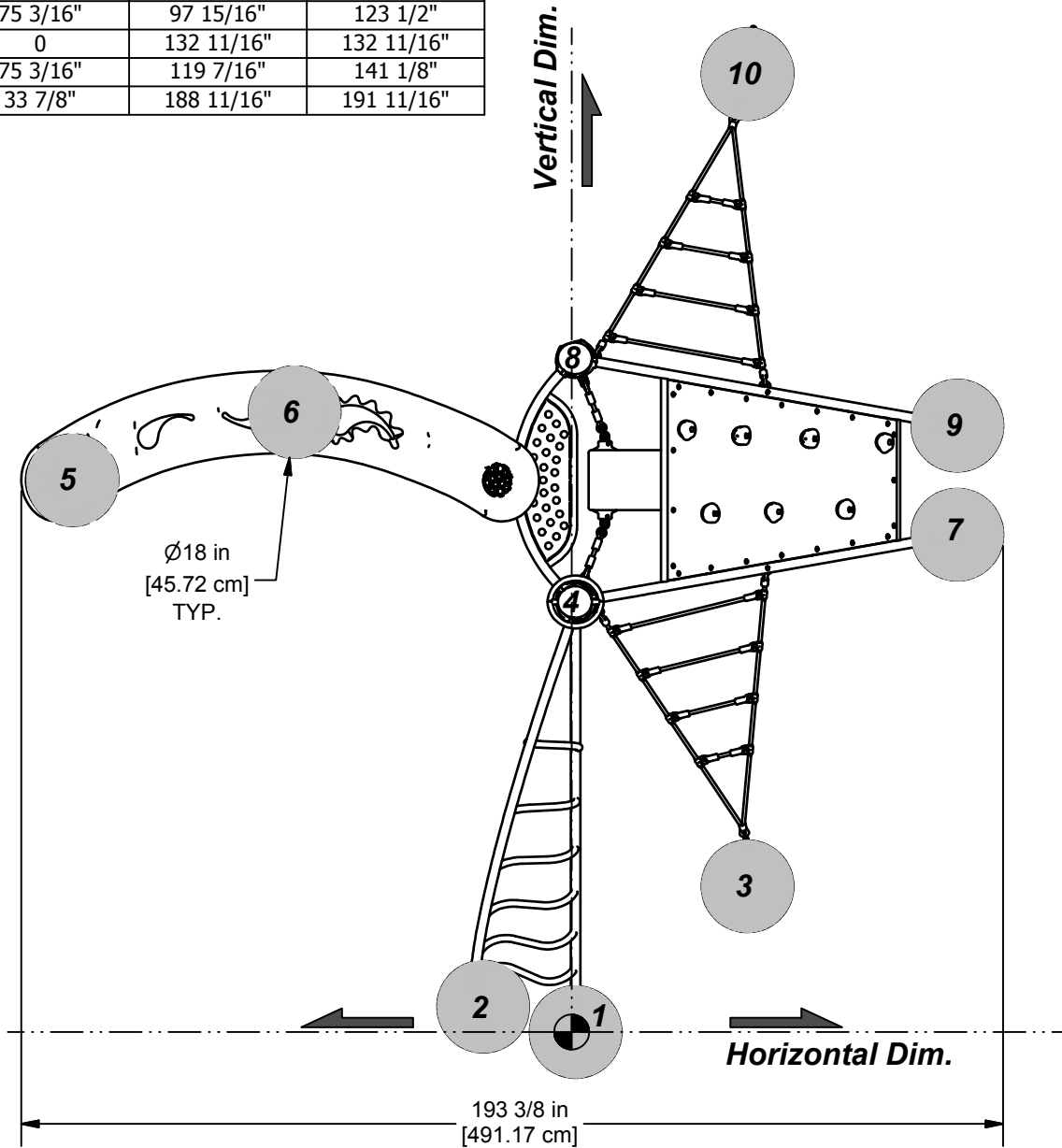


**PLAN VIEW**

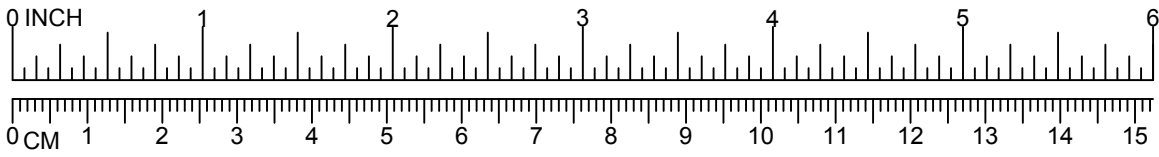
## BT402 NORTH STAR

FOOTING TABLE

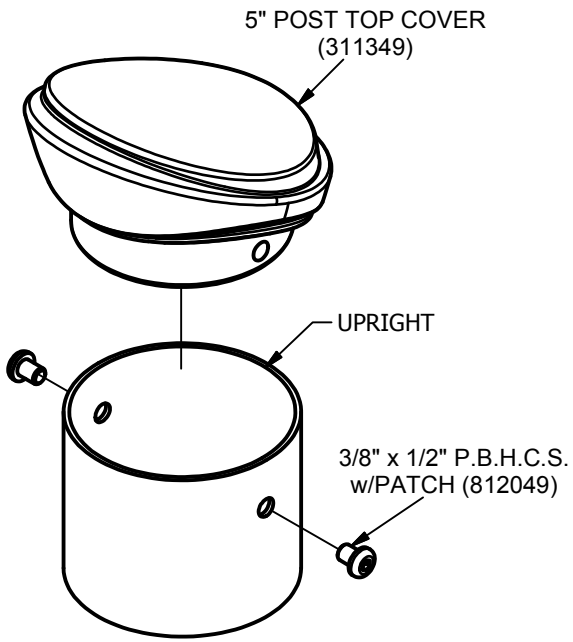
Hole No.	Hor. Dim	Ver. Dim.	Diagonal
1	0	0	0
2	18 3/16"	5"	18 7/8"
3	33 7/8"	28 11/16"	44 3/8"
4	0	84 11/16"	84 11/16"
5	99 1/16"	108 11/16"	147 1/16"
6	55 5/16"	122 1/8"	134 1/16"
7	75 3/16"	97 15/16"	123 1/2"
8	0	132 11/16"	132 11/16"
9	75 3/16"	119 7/16"	141 1/8"
10	33 7/8"	188 11/16"	191 11/16"



**GROUND PLAN**



# BT402 NORTH STAR



612

## BT464 INCLINED CLIMBER

Parts List		
DESCRIPTION	QTY	PART NUMBER
14 15/16" CABLE	4	309082
CABLE	2	308254
ANGLE WALL HDPE	1	311539
ANGLE WALL	1	311543
PLAYSHELL	1	401549
PLAYSHELL PIPE	2	402415
<b>HARDWARE COMPLETE</b>	1	311571
SHROUD	2	311350*
HANDHOLD PACKAGE	1	311570*
PLAYSHELL STOP CASTING ASS'Y	4	402250*
1/4" x 1 1/4" P.B.H.C.S.	4	812083*
1/4" FLAT WASHER (5/8" O.D.)	4	817408*
3/8" x 3/4" P.B.H.C.S. w/PATCH	21	812052*
3/8" x 1 1/4" P.B.H.C.S. w/PATCH	2	812051*
3/8" x 1 1/2" P.B.H.C.S. w/PATCH	14	812053*
3/8" x 2 1/2" P.B.H.C.S. w/PATCH	2	812057*
3/8" x 5 3/4" HEX HEAD BOLT	2	801051*
3/8" FLAT WASHER	41	817410*
3/8" FLAT WASHER (1 1/4" O.D.)	2	817424*
3/8" LOCK NUT	2	804353*
3/8" BARREL NUT	35	804804*
3/4" ID BRONZE BEARING	16	817451*

*Unless Otherwise Specified, All Units of Measure are Each*

*Items listed below Hardware Complete line are included with Hardware Complete Number*

**Warning: During Installation, Hardware And Small Parts Are Choking Hazards For Young Children. Store Unused Parts Appropriately Until Assembly Is Completed. Once Assembly Is Completed, Remove Any Unused Parts From The Play Environment And Dispose/Save Them In A Secure Location. Any bolt end protruding more than two full threads beyond the face of the nut causes risk of clothing entanglement. Promptly cut-off flush, file smooth, and treat to prevent corrosion.**

**Note: Peen Tee-Nuts and Flatwashers to match radius of pipe after assembly is complete.**

**Note: Loctite (supplied by others) should be used on any non-patch hardware.**

## *BT464 INCLINED CLIMBER*

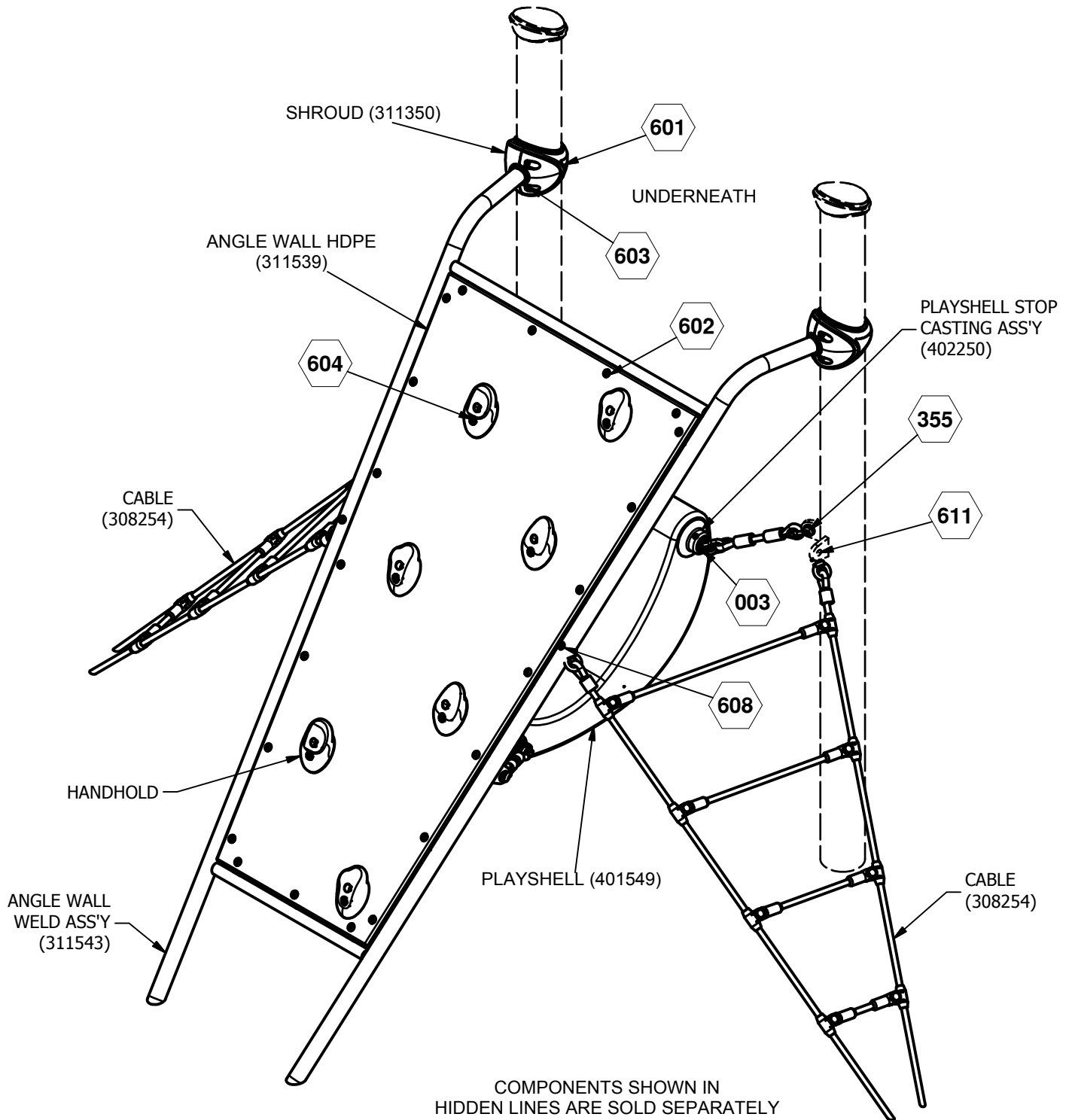
### **INSTALLATION INSTRUCTIONS:**

1. Dig footing holes as shown in Elevation and Plan Views. Refer to Top View for correct Upright and orientation.
2. Attach Angle Wall to Uprights using 3/8" x 5 3/4" Hex Head Bolt, 3/8" Flat Washer, and 3/8" Lock Nut. See Detail 601.
3. Attach Shroud to Uprights using 1/4" x 1 1/4" P.B.H.C.S and 1/4" Flat Washer (5/8" O.D.). See Detail 603.
4. Attach Angle Wall HDPE to Angle Wall using 3/8" x 3/4" P.B.H.C.S w/Patch, 3/8" Flat Washer, and 3/8" Barrel Nut. See Detail 602.
5. Attach Handholds to Angle Wall HDPE using 3/8" x 1 1/2" P.B.H.C.S w/Patch, 3/8" Flat Washer, and 3/8" Barrel Nut. See Detail 604.
6. Attach Cable to Angle Wall using 3/8" x 2 1/2" P.B.H.C.S w/Patch and 3/8" Flat Washer. See Detail 608.
7. Attach Cable to Tabs located on Uprights. See Detail 611.
8. Locate the Playshell and connect Playshell Pipe using Playshell Stop Casting Ass'y. See Detail 001.
9. Attach 15" Cables to Playshell. See Detail 003.
10. Attach 15" Cables to Tabs located on Uprights. See Detail 355.
11. Plumb and level the entire assembly and tighten all fasteners.
12. After entire unit is assembled pour concrete footings within 4" to the top and taper away from post for water drainage. Allow to cure at least 48 hours before use. Temporary bracing may be required until concrete cures.
13. When the structure is finished and satisfactory, eliminate sharp points and sharp edges (burring) on installed hardware like bolts, nuts etc. Install resilient surfacing material within the use zone of play structure in accordance with ASTM specifications F1292 appropriate for the fall height of each structure. Refer to the safety guidelines.

### **MAINTENANCE PROCEDURE:**

Periodically check hardware for tightness, and tighten as necessary. Always check all parts for breakage or wear, and immediately put equipment out of service until any faulty parts found are repaired or replaced. Also Check all metal parts for rust, paint loss and touch-up if necessary with paint. Check for welded areas and verify integrity. Check periodically resilient surfacing for appropriate depth and remove extraneous materials that could cause injury, infection, or disease. Maintain detailed installation, inspection, maintenance, and repair records for each public-use playground equipment.

**BT464 INCLINED CLIMBER**



 = INSTALLATION DETAIL

**FINISHED ASSEMBLY**

Issued/Revised: 03/04/13

**BigToys**<sup>®</sup>

SHEET 3 OF 7

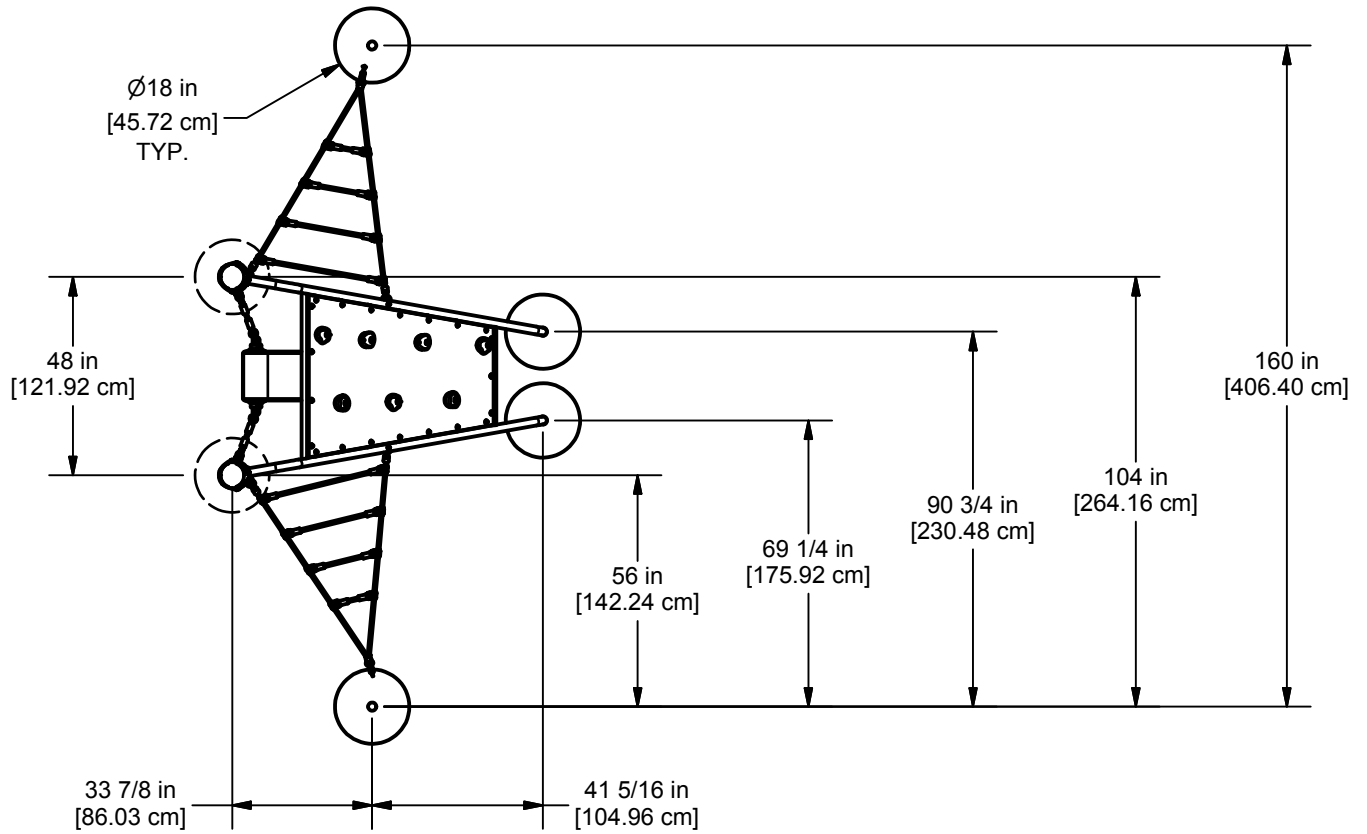
1-866-814-8697

A PLAYCORE Company

bigtoys.com

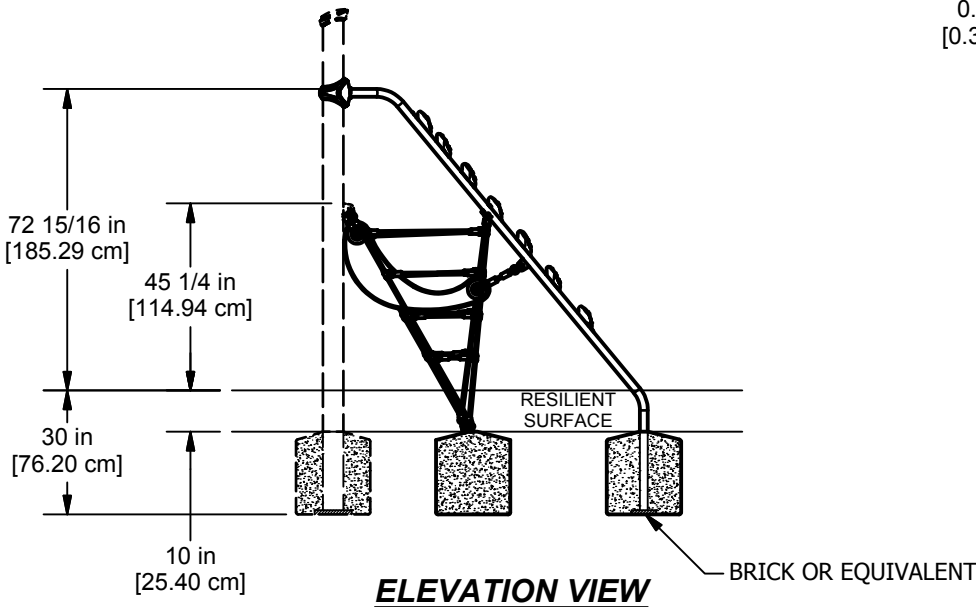


**BT464 INCLINED CLIMBER**

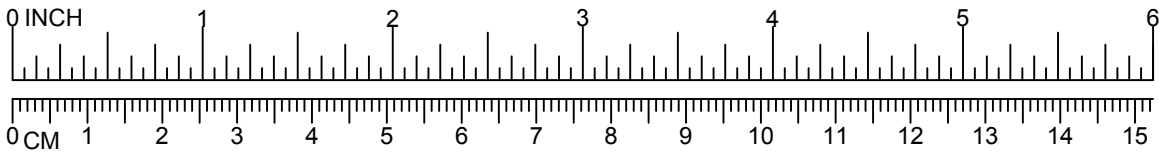


**PLAN VIEW**

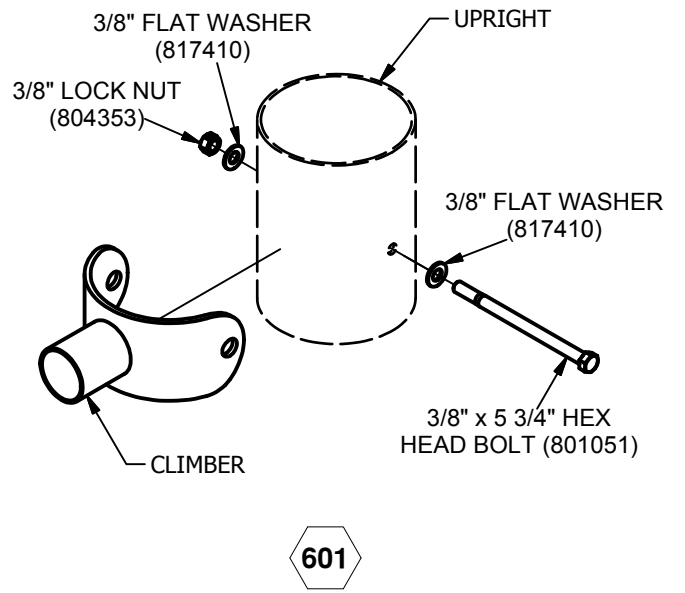
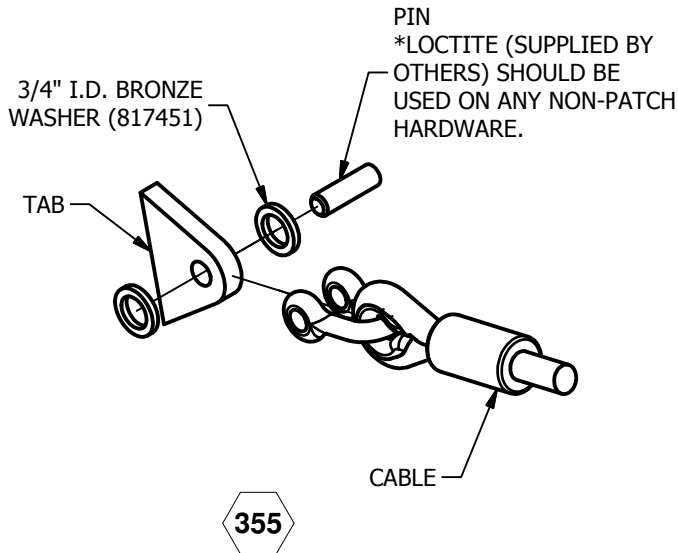
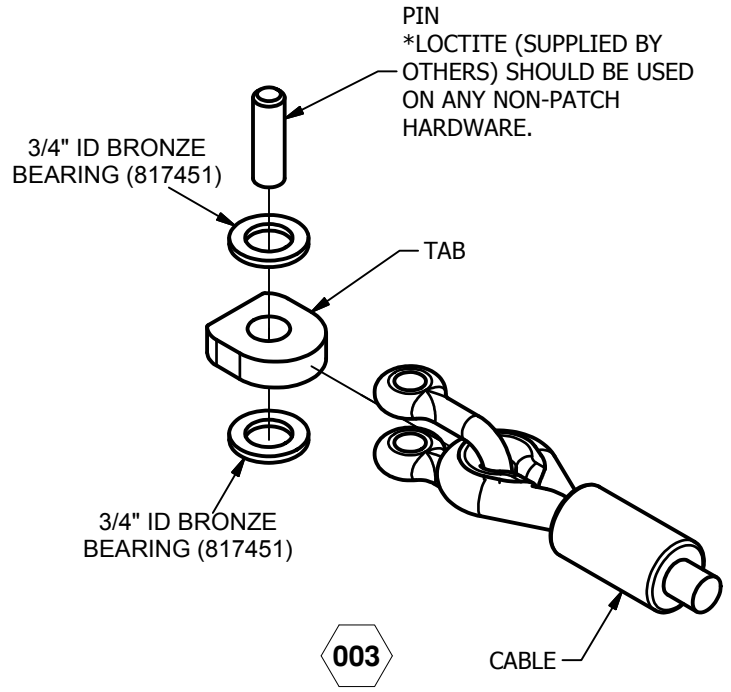
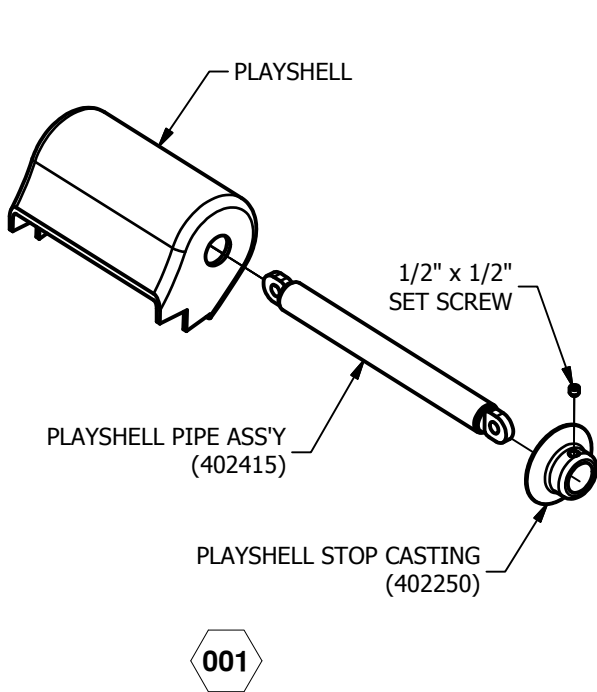
**CONCRETE REQUIRED**  
0.436 CUBIC YARDS  
[0.332 CUBIC METERS]

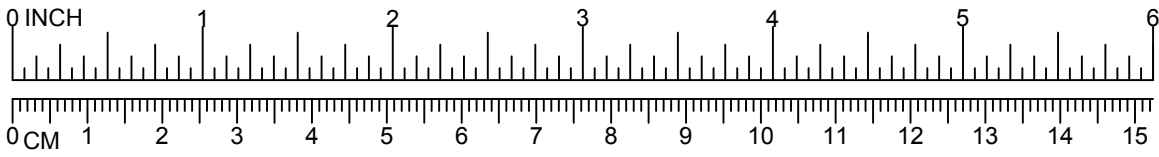


**ELEVATION VIEW**

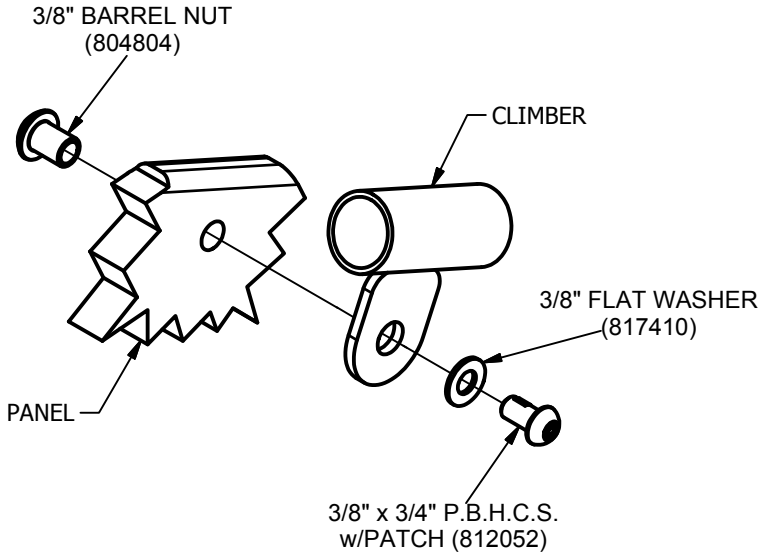


# BT464 INCLINED CLIMBER

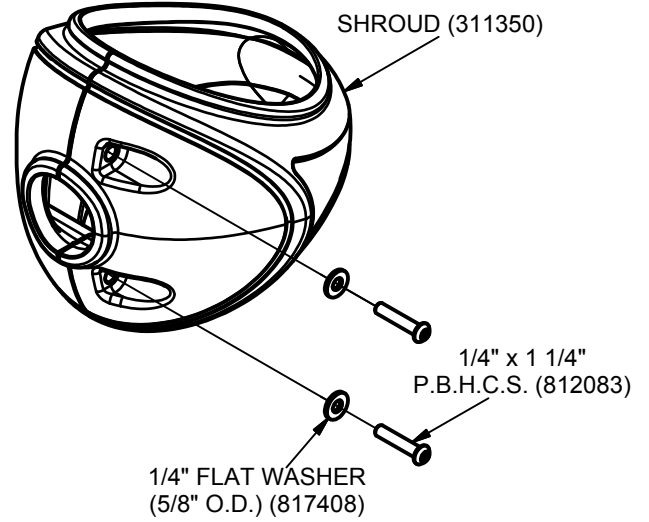




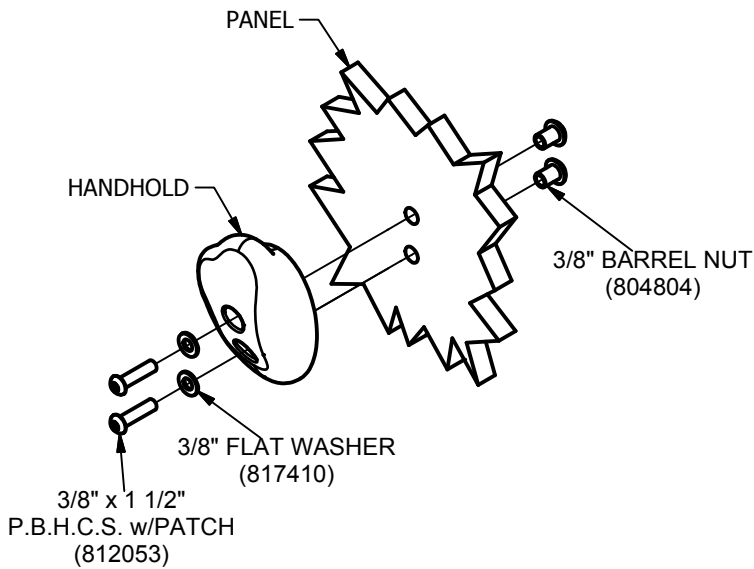
## BT464 INCLINED CLIMBER



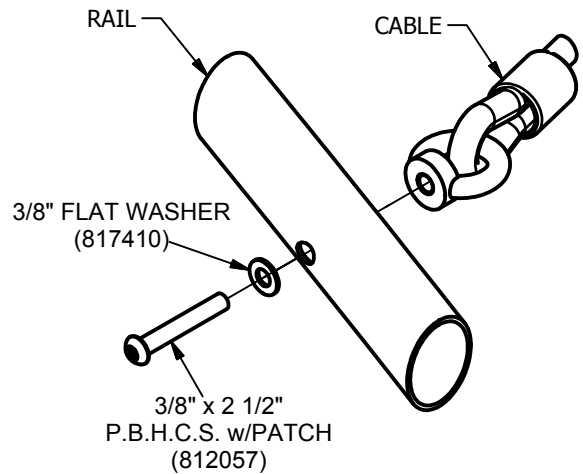
602



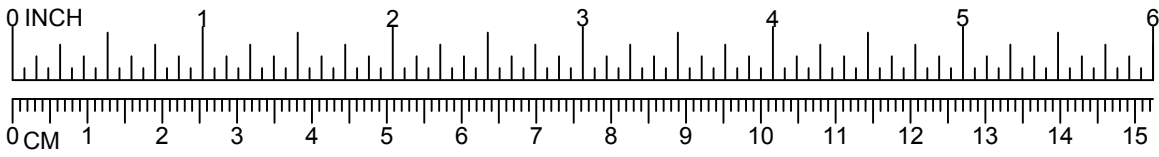
603



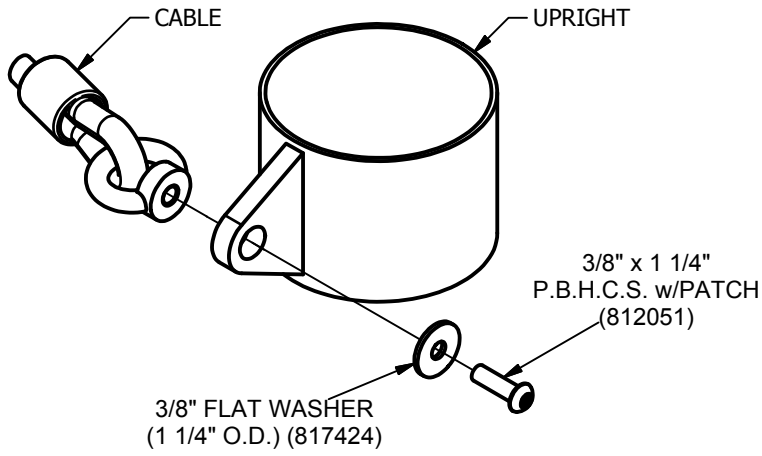
604



608



# BT464 INCLINED CLIMBER



611

## BT476 NAVICLIMB INVERTED

Parts List		
DESCRIPTION	QTY	PART NUMBER
MOUNTING PLATE	3	309279
STRATASCEND CLIMBER	1	309292
SUPPORT	1	311414
MIDDLE PIPE	1	311420
BOTTOM PIPE	1	311423
EXTENSION PIPE	3	404351
<b>HARDWARE COMPLETE</b>	1	404361
PLASTIC WASHER	9	304073*
PLASTIC CAP	9	304074*
RUBBER PAD	3	309010*
SHROUD	2	311350*
1/4" x 1 1/4" P.B.H.C.S.	4	812083*
1/4" FLAT WASHER (5/8" O.D.)	4	817408*
3/8" x 1" P.B.H.C.S. w/PATCH	3	812050*
3/8" x 1 3/4" P.B.H.C.S. w/PATCH	9	812054*
3/8" x 2 1/4" P.B.H.C.S. w/PATCH	3	812056*
3/8" x 5 3/4" HEX HEAD BOLT	2	801051*
3/8" FLAT WASHER	19	817410*
3/8" LOCK NUT	2	804353*
3/8" BARREL NUT	3	804804*

*Unless Otherwise Specified, All Units of Measure are Each*

*\*Items listed below Hardware Complete line are included with Hardware Complete Number*

**Warning: During Installation, Hardware And Small Parts Are Choking Hazards For Young Children. Store Unused Parts Appropriately Until Assembly Is Completed. Once Assembly Is Completed, Remove Any Unused Parts From The Play Environment And Dispose/Save Them In A Secure Location. Any bolt end protruding more than two full threads beyond the face of the nut causes risk of clothing entanglement.**

**Promptly cut-off flush, file smooth, and treat to prevent corrosion.**

**Note: Peen Tee-Nuts and Flatwashers to match radius of pipe after assembly is complete.**

**Note: Loctite (supplied by others) should be used on any non-patch hardware.**

### **INSTALLATION INSTRUCTIONS:**

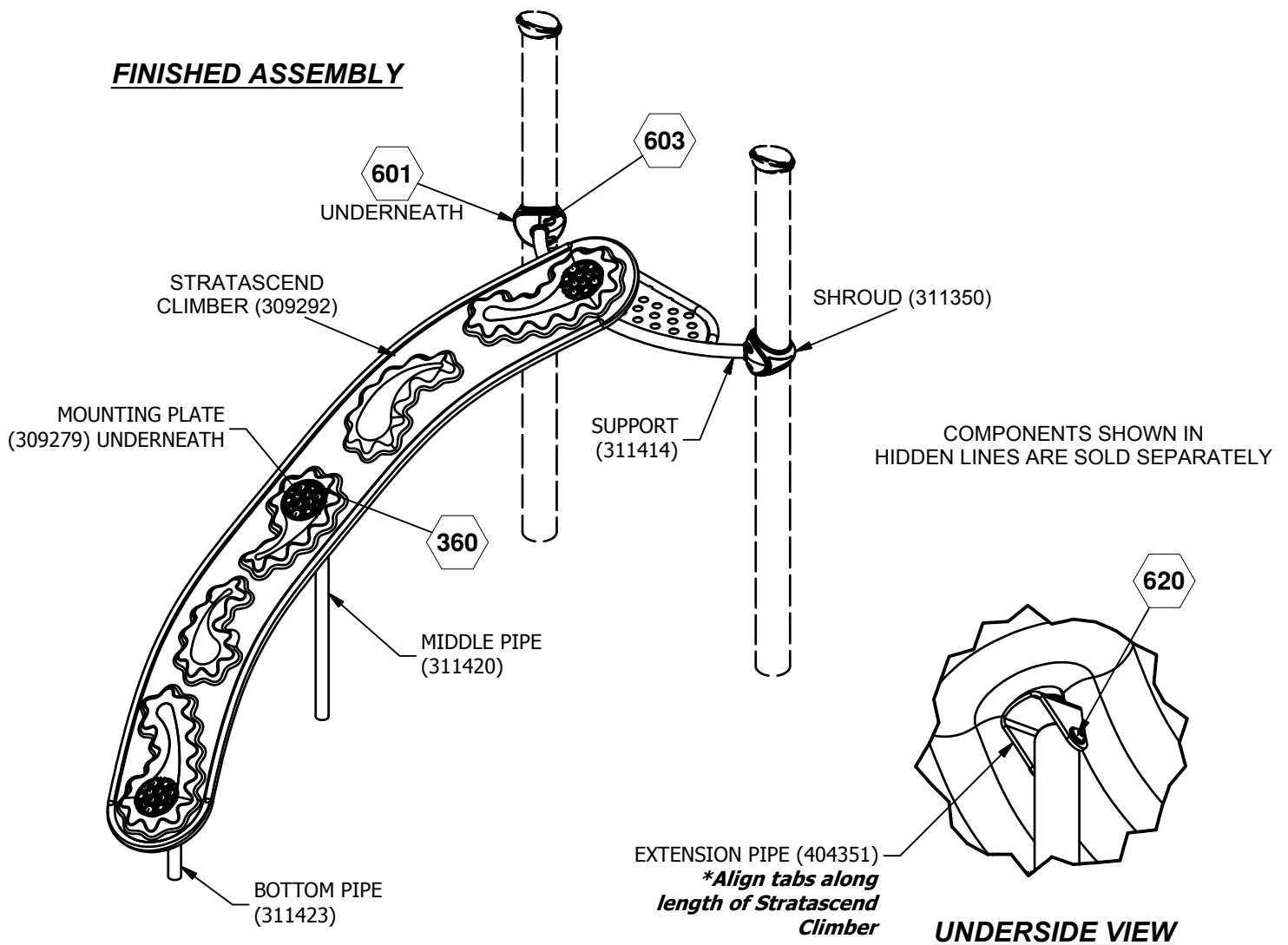
1. Dig footing holes as shown in Elevation and Plan Views. Refer to Top View for correct Upright and orientation.
2. Attach Support to Upright using 3/8" x 5 3/4" Hex Head Bolt, 3/8" Flat Washer, and 3/8" Lock Nut. See Detail 601.
3. Attach the Extension Pipe to Mounting Plate using 3/8" x 1" P.B.H.C.S. w/Patch, and 3/8" Flat Washer. See Detail 360. **Note:** Tabs on Extension Pipe must be aligned in the same direction along the length of the Stratascend Climber.
4. Attach Rubber Pad to Mounting Plate using Plastic Cap, 3/8" x 1 3/4" P.B.H.C.S. w/Patch, 3/8" Flat Washer and Plastic Washer. See Detail 360.
5. Attach Stratascend Climber to Support, Middle Pipe and Bottom Pipe using 3/8" x 2 1/4" P.B.H.C.S. w/Patch, 3/8" Flat Washer and 3/8" Barrel Nut. See Detail 620.
6. Attach Shroud to Upright using 1/4" x 1 1/4" P.B.H.C.S and 1/4" Flat Washer (5/8" O.D.). See Detail 603.
7. Plumb and level the entire assembly and tighten all fasteners.
8. After entire unit is assembled pour concrete footings within 4" to the top and taper away from post for water drainage. Allow to cure at least 48 hours before use. Temporary bracing may be required until concrete cures.

## BT476 NAVICLIMB INVERTED

9. When the structure is finished and satisfactory, eliminate sharp points and sharp edges (burring) on installed hardware like bolts, nuts etc. Install resilient surfacing material within the use zone of play structure in accordance with ASTM specifications F1292 appropriate for the fall height of each structure. Refer to the safety guidelines.

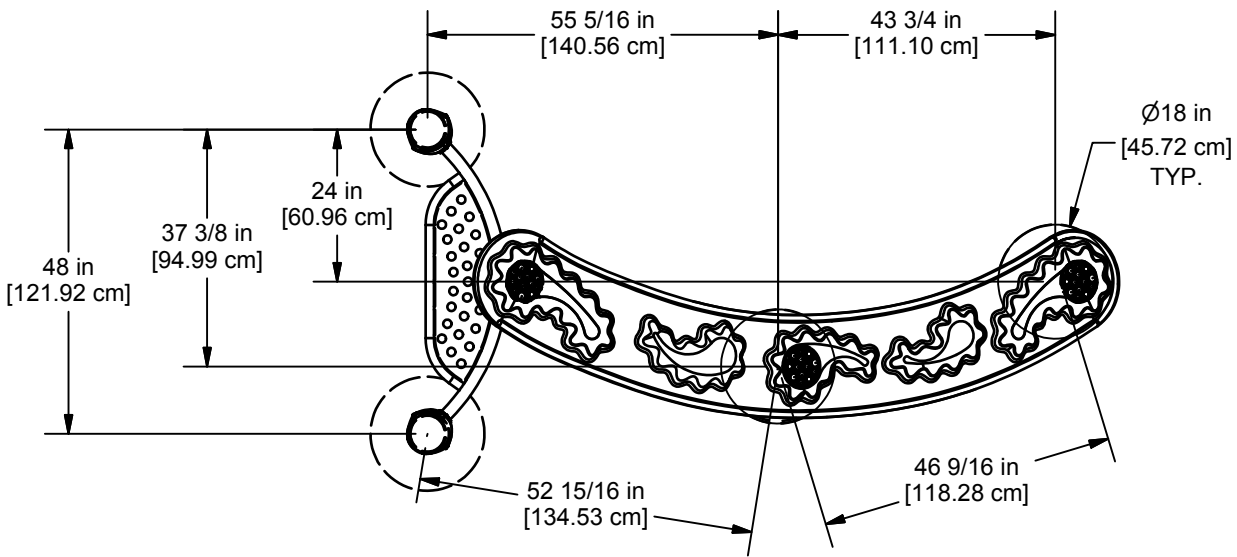
### **MAINTENANCE PROCEDURE:**

Periodically check hardware for tightness, and tighten as necessary. Always check all parts for breakage or wear, and immediately put equipment out of service until any faulty parts found are repaired or replaced. Also Check all metal parts for rust, paint loss and touch-up if necessary with paint. Check for welded areas and verify integrity. Check periodically resilient surfacing for appropriate depth and remove extraneous materials that could cause injury, infection, or disease. Maintain detailed installation, inspection, maintenance, and repair records for each public-use playground equipment.



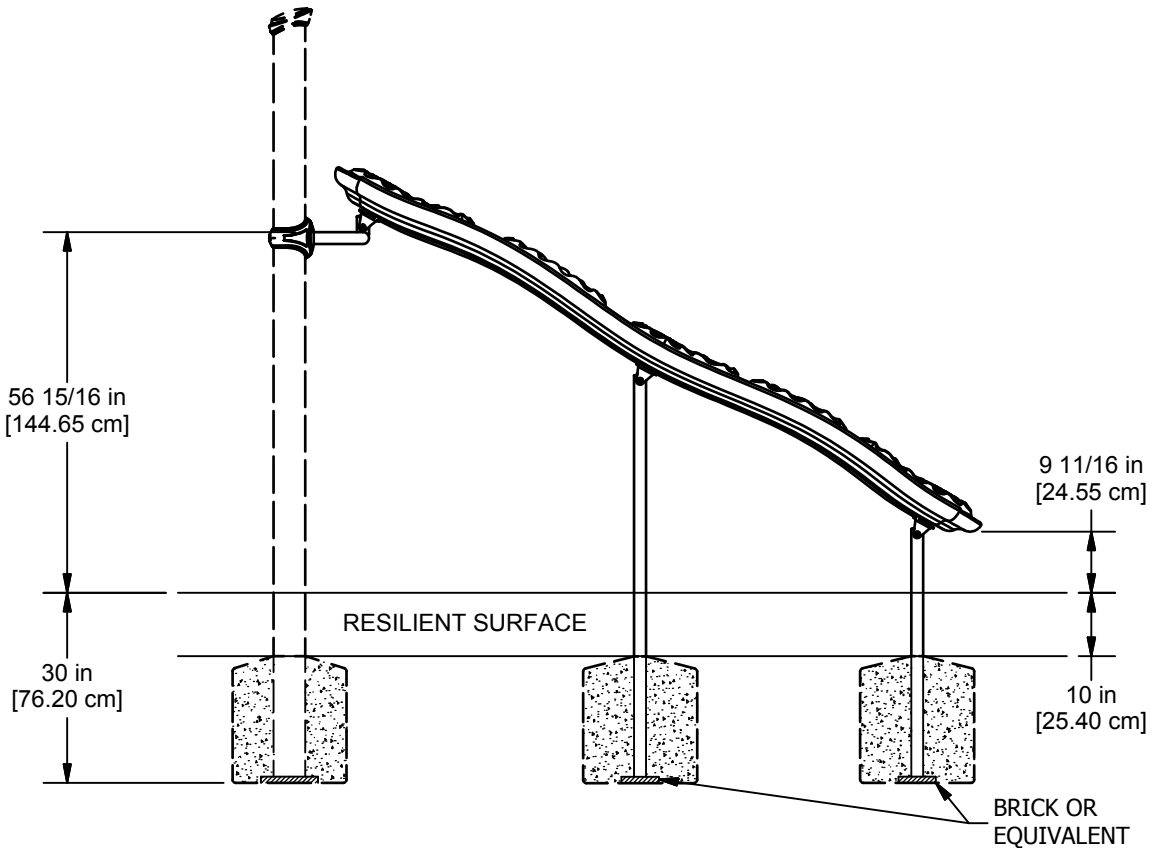
⬡ = INSTALLATION DETAIL

**BT476 NAVICLIMB INVERTED**

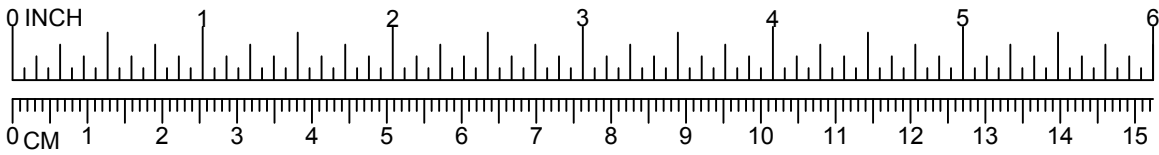


**PLAN VIEW**

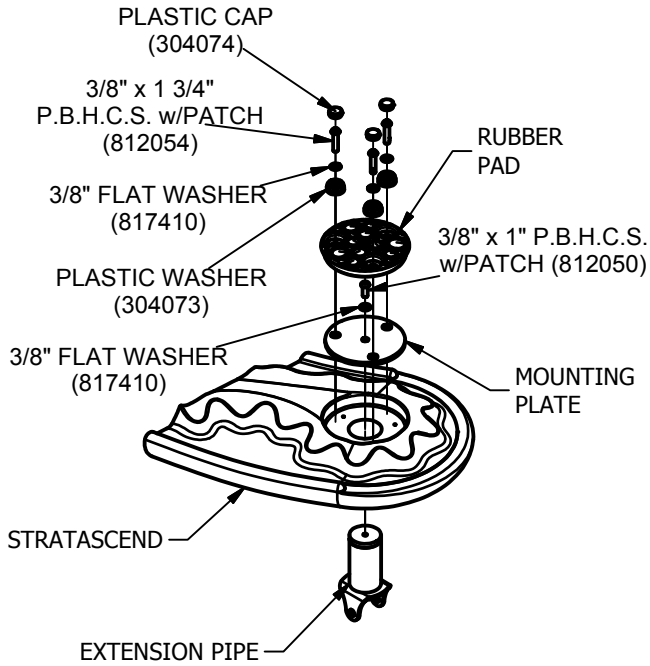
**CONCRETE REQUIRED**  
0.218 CUBIC YARDS  
0.166 [CUBIC METERS]



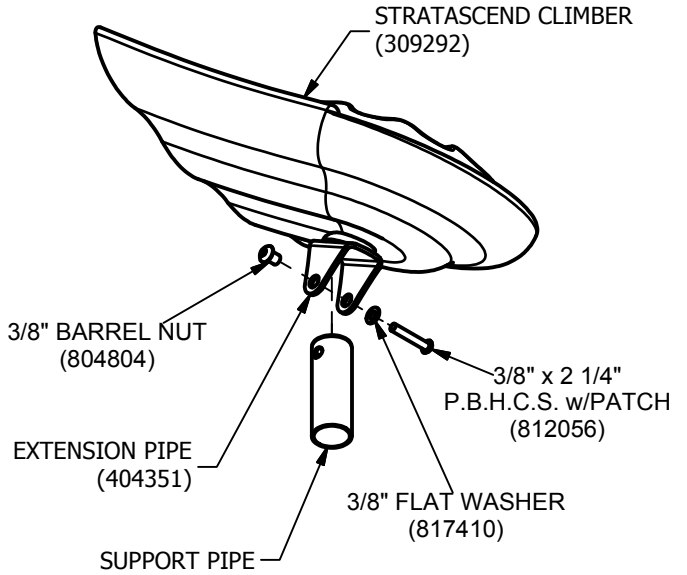
**ELEVATION VIEW**



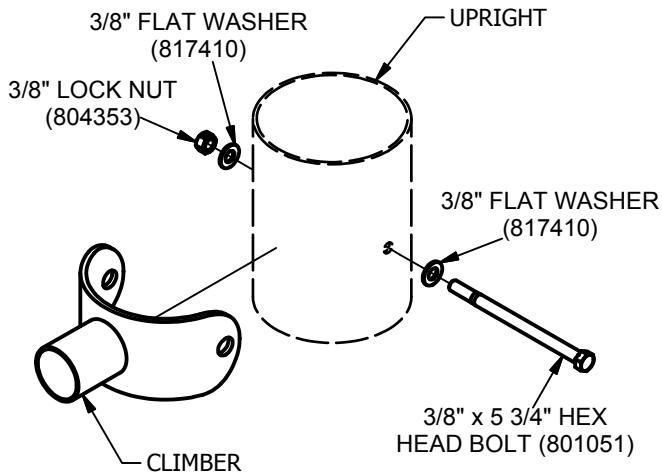
## BT476 NAVICLIMB INVERTED



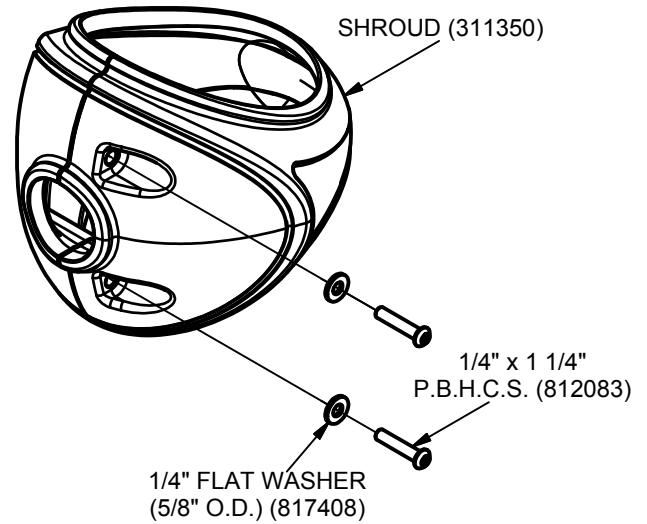
360



620



601



603



## BT468 TWISTED TRIDENT

Parts List		
DESCRIPTION	QTY	PART NUMBER
WAVE ARCH CLIMBER	1	311463
<b>HARDWARE COMPLETE</b>	1	311513
SHROUD	2	311350
3/8" x 5 3/4" HEX HEAD BOLT	2	801051
3/8" FLAT WASHER	4	817410
3/8" LOCK NUT	2	804353
1/4" x 1 1/4" P.B.H.C.S.	4	812083
1/4" FLAT WASHER (5/8" O.D.)	4	817408

*Unless Otherwise Specified, All Units of Measure are Each*

*\*Items listed below Hardware Complete line are included with Hardware Complete Number*

**Warning: During Installation, Hardware And Small Parts Are Choking Hazards For Young Children. Store Unused Parts Appropriately Until Assembly Is Completed. Once Assembly Is Completed, Remove Any Unused Parts From The Play Environment And Dispose/Save Them In A Secure Location. Any bolt end protruding more than two full threads beyond the face of the nut causes risk of clothing entanglement.**

**Promptly cut-off flush, file smooth, and treat to prevent corrosion.**

**Note: Peen Tee-Nuts and Flatwashers to match radius of pipe after assembly is complete.**

**Note: Loctite (supplied by others) should be used on any non-patch hardware.**

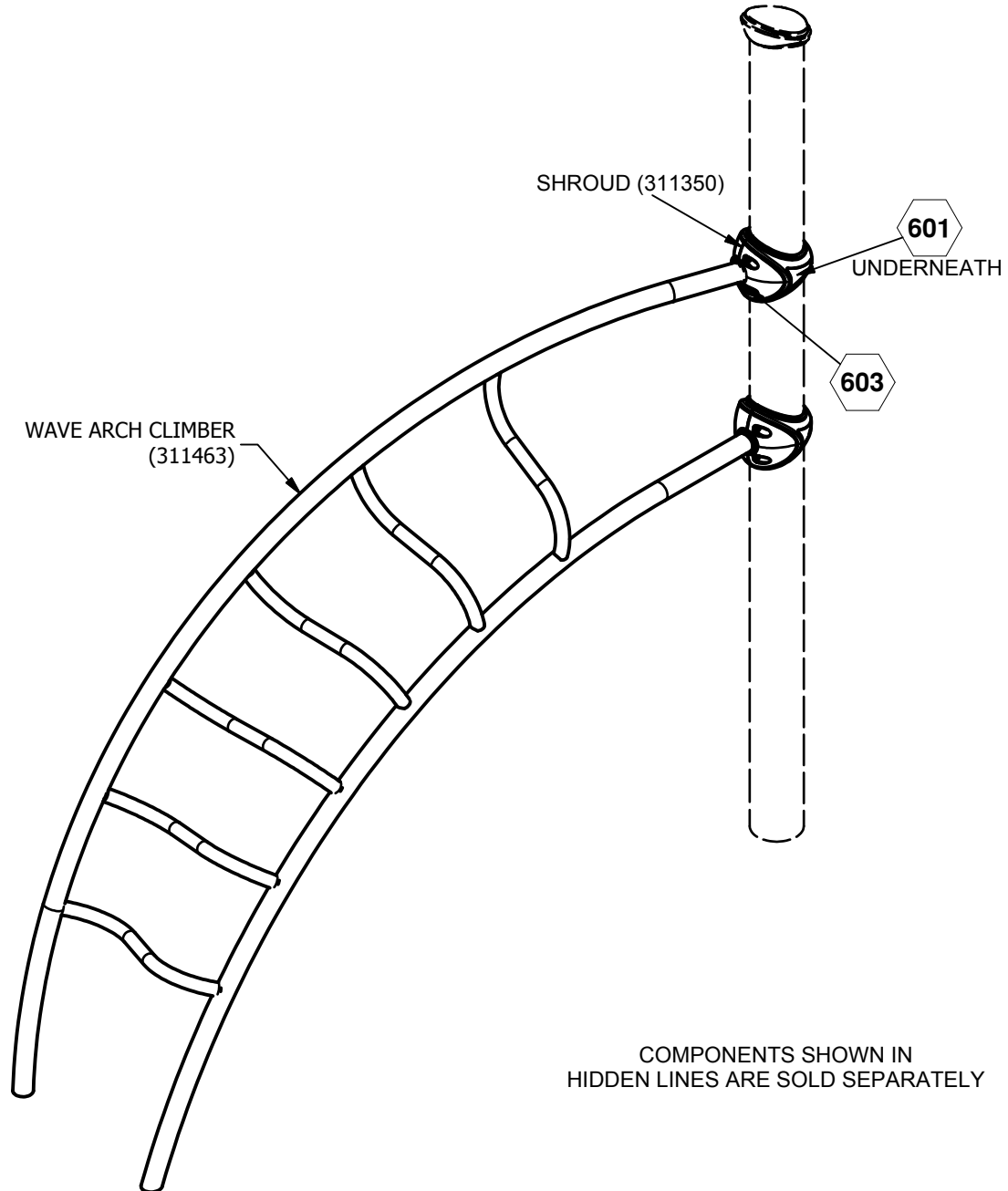
### **INSTALLATION INSTRUCTIONS:**

1. Dig footing holes as shown in Elevation and Plan Views. Refer to Top View for correct Upright and orientation.
2. Attach Wave Arch to Upright using 3/8" x 5 3/4" Hex Head Bolt, 3/8" Flat Washer and 3/8" Lock Nut. See Detail 601.
3. Attach Shroud to Uprights using 1/4" x 1 1/4" P.B.H.C.S and 1/4" Flat Washer (5/8" O.D.). See Detail 603.
4. Plumb and level the entire assembly and tighten all fasteners.
5. After entire unit is assembled pour concrete footings within 4" to the top and taper away from post for water drainage. Allow to cure at least 48 hours before use. Temporary bracing may be required until concrete cures.
6. When the structure is finished and satisfactory, eliminate sharp points and sharp edges (burring) on installed hardware like bolts, nuts etc. Install resilient surfacing material within the use zone of play structure in accordance with ASTM specifications F1292 appropriate for the fall height of each structure. Refer to the safety guidelines.

### **MAINTENANCE PROCEDURE:**

Periodically check hardware for tightness, and tighten as necessary. Always check all parts for breakage or wear, and immediately put equipment out of service until any faulty parts found are repaired or replaced. Also Check all metal parts for rust, paint loss and touch-up if necessary with paint. Check for welded areas and verify integrity. Check periodically resilient surfacing for appropriate depth and remove extraneous materials that could cause injury, infection, or disease. Maintain detailed installation, inspection, maintenance, and repair records for each public-use playground equipment.

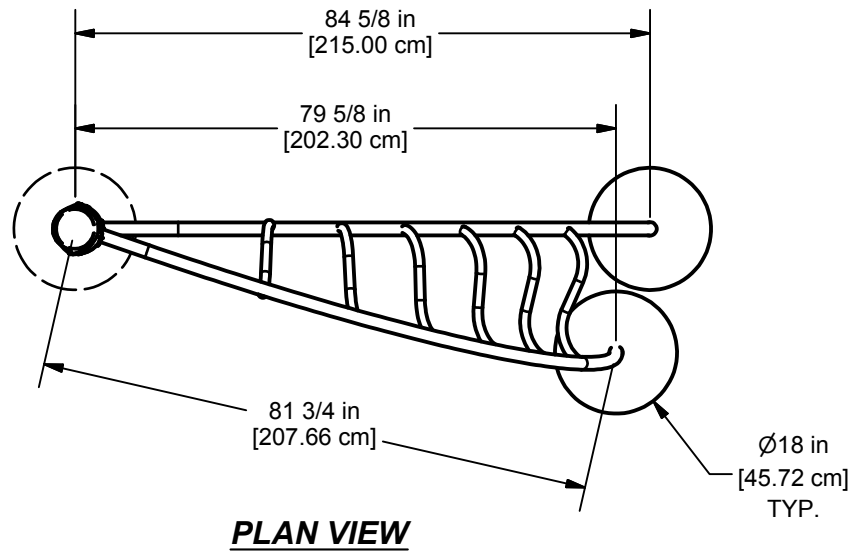
## BT468 TWISTED TRIDENT



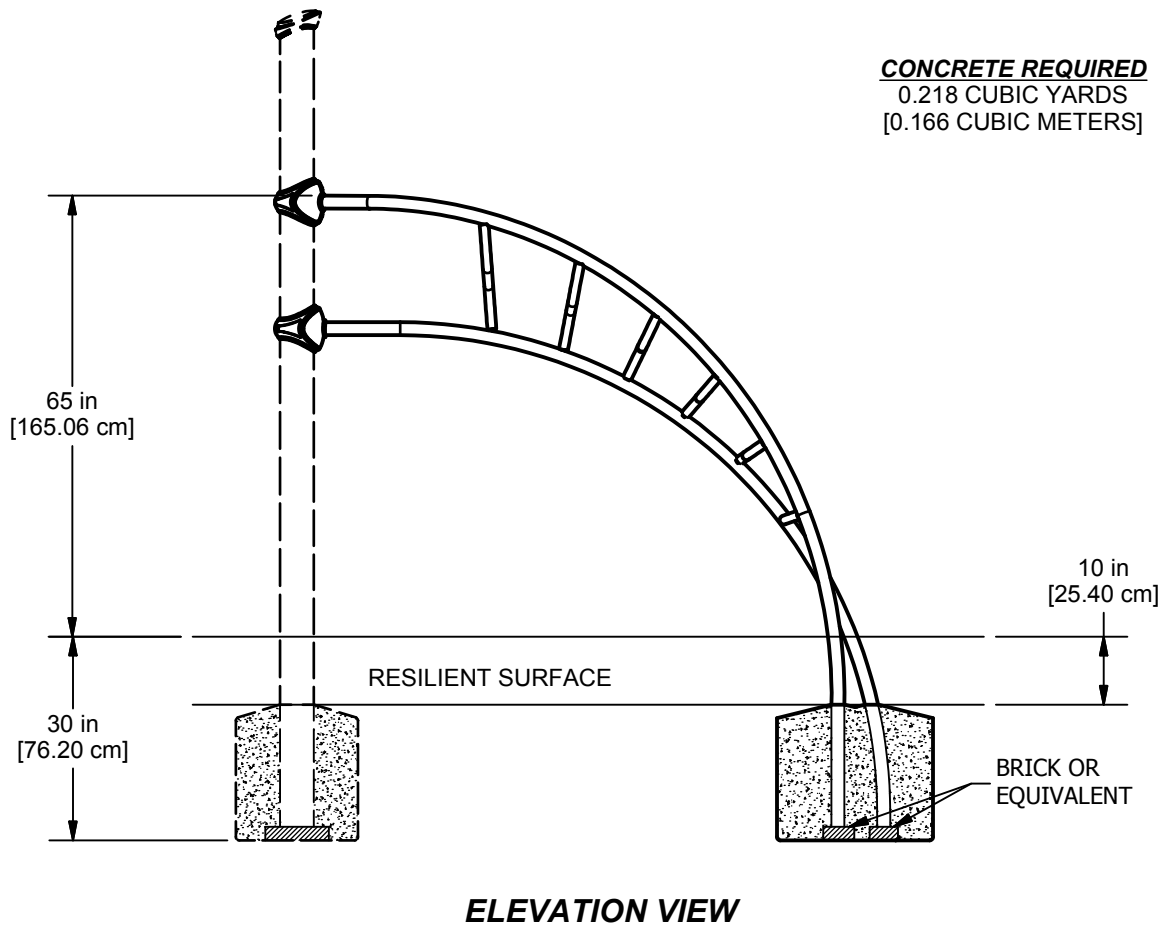
### FINISHED ASSEMBLY

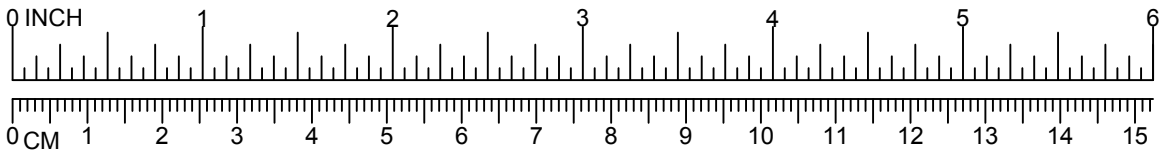
 = INSTALLATION DETAIL

## BT468 TWISTED TRIDENT

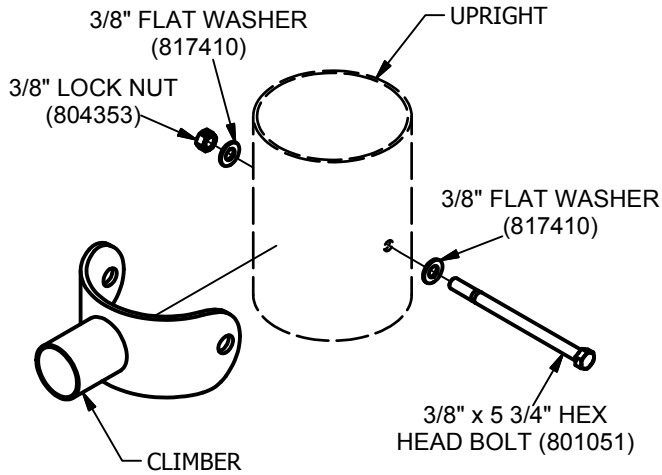


**CONCRETE REQUIRED**  
0.218 CUBIC YARDS  
[0.166 CUBIC METERS]

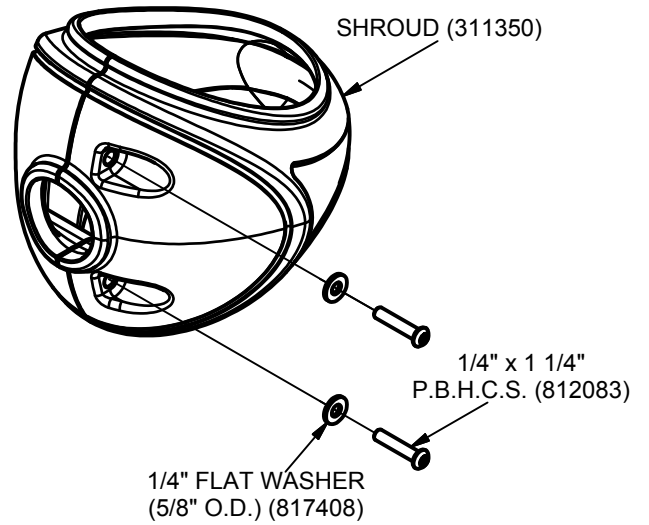




## BT468 TWISTED TRIDENT



601



603