

Tot Town
MEC-201

This play equipment is
recommended for
children ages:
6-23 Mo. or 2-5

Scale: 1/4" = 1'-0"
This drawing can be
scaled only when in
an 11" x 17" format

Drawn By:
Jason Roberts
Date:
05/14/2018
Quote Number:
MEC-201

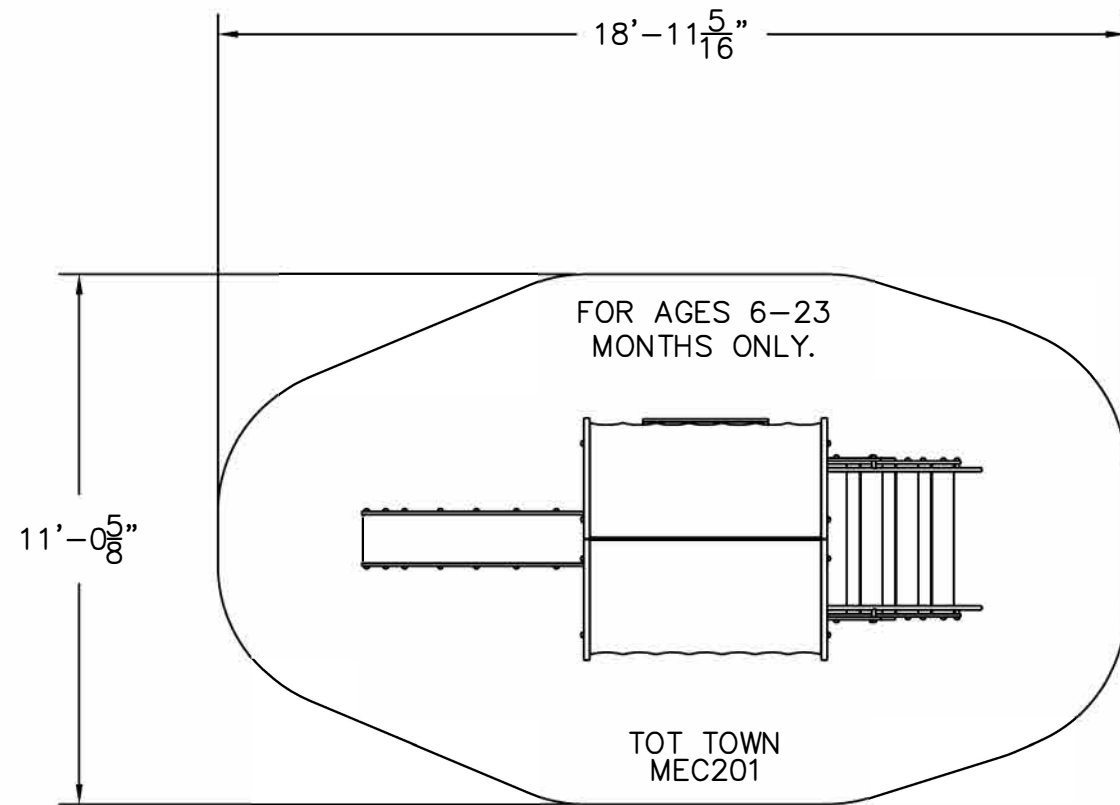
BigToys

544 Chestnut Street
Chattanooga, TN. 37402
866.814.8697 | www.bigtoys.com

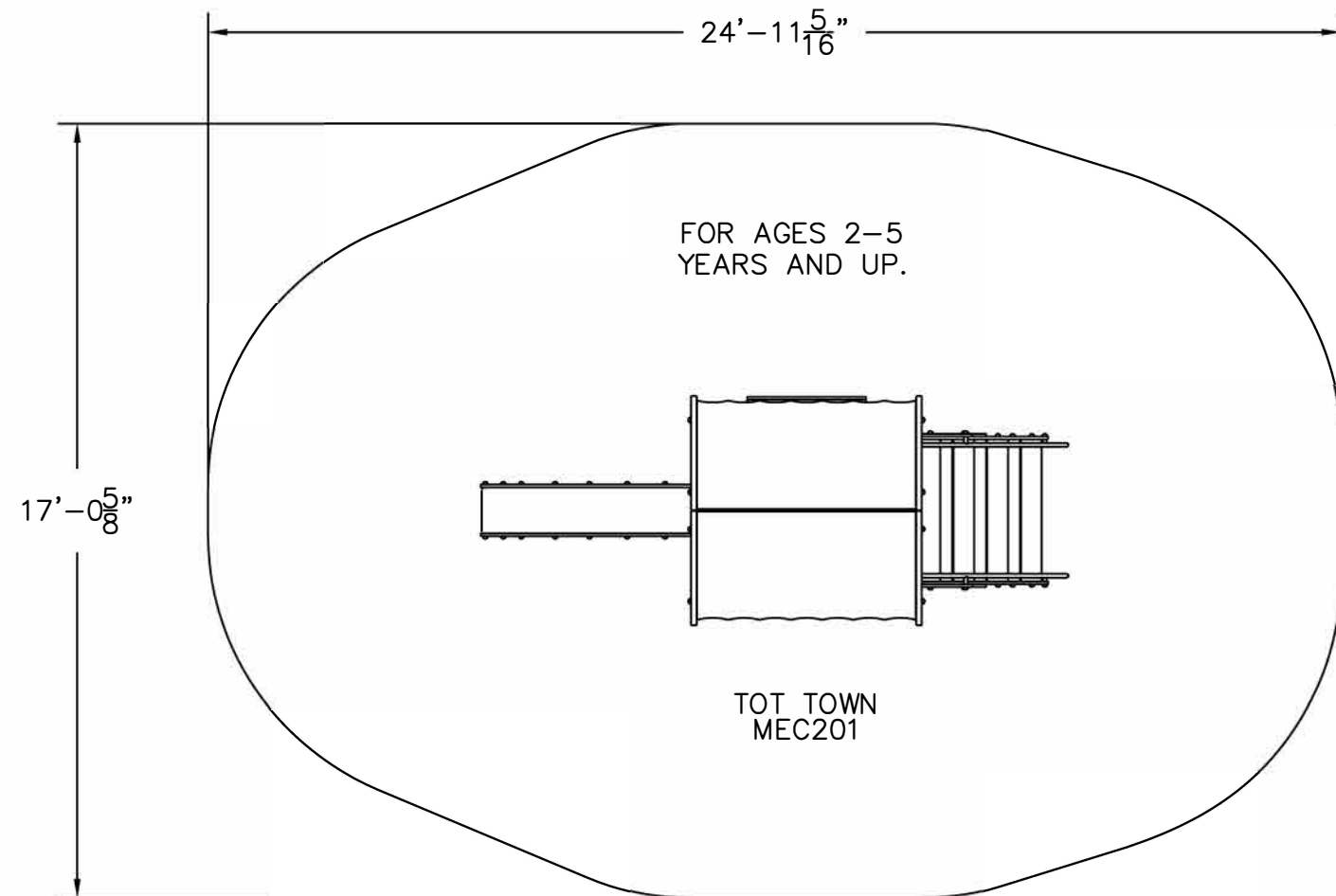
User Capacity
5 - 10
Critical Fall Height
2'-6"



Bigtoys



TOTAL SURFACING
AREA REQUIRED
175 SQ. FT.
50 LINEAR FT.



TOTAL SURFACING
AREA REQUIRED
353 SQ. FT.
69 LINEAR FT.

IMPORTANT: Never install play equipment over hard, unresilient surfaces such as asphalt, concrete, or compacted earth. It is the owner's responsibility to ensure the "minimum area required" contains an appropriate amount of resilient material to cushion accidental falls.