

MEC009 KINDER CROSSING

Parts List		
DESCRIPTION	QTY	PART NUMBER
24" BUBBLE	1	H323B
PIPE	1	300468
COVER PLATE	4	300495
TRIANGLE	2	301597
SQUARE	2	301598
HIGH DENSITY BALL	4	301806
GAMEPIECE	1	301942
ROD	1	303524
MIRROR FRAME	1	310559
MIRROR	1	312855
STEP MODULE	4	402502
BALL COVER PLATE	2	402504
RIGHT SIDE PANEL	1	402507
LEFT SIDE PANEL	1	402508
CORNER POST	4	402509
CRUISE RAIL	1	402571
FOOTING PIPE	4	403202
CLEAR COVER	1	405321
HARDWARE COMPLETE	1	404162
10MM DO-NUT BASE	36	G030
10MM DO-NUT CAP	36	G032
1/4" x 3/4" B.H.C.S.	8	811010
1/4" FLAT WASHER (5/8" O.D.)	8	817408
1/4-20 x .472 LG PLTD NUT JOINT CONN	8	910008
3/8" x 3/4" P.B.H.C.S. w/PATCH	6	812052
3/8" x 1 1/4" P.B.H.C.S. w/PATCH	8	812051
3/8" x 1 3/4" HEX HEAD BOLT	2	801006
3/8" x 2" P.B.H.C.S. w/PATCH	4	812055
3/8" x 2 1/2" P.B.H.C.S. w/PATCH	2	812057
3/8" x 2 3/4" HEX HEAD BOLT	12	801010
3/8" x 3" HEX HEAD BOLT	4	801011
3/8" x 5" HEX HEAD BOLT	8	801019
3/8" INTERNAL TOOTH LOCKWASHER	16	817200
3/8" FLAT WASHER	60	817410
3/8" PLASTIC WASHER	6	817612
3/8" LOCK NUT	26	804353
3/8" BARREL NUT	20	804804
BRONZE BUSHING, 1" LG.	2	818317

MEC009 KINDER CROSSING

Unless Otherwise Specified, All Units of Measure are Each

Items listed below Hardware Complete line are included with Hardware Complete Number

Warning: During Installation, Hardware And Small Parts Are Choking Hazards For Young Children. Store Unused Parts Appropriately Until Assembly Is Completed. Once Assembly Is Completed, Remove Any Unused Parts From The Play Environment And Dispose/Save Them In A Secure Location. Any bolt end protruding more than two full threads beyond the face of the nut causes risk of clothing entanglement.

Promptly cut-off flush, file smooth, and treat to prevent corrosion.

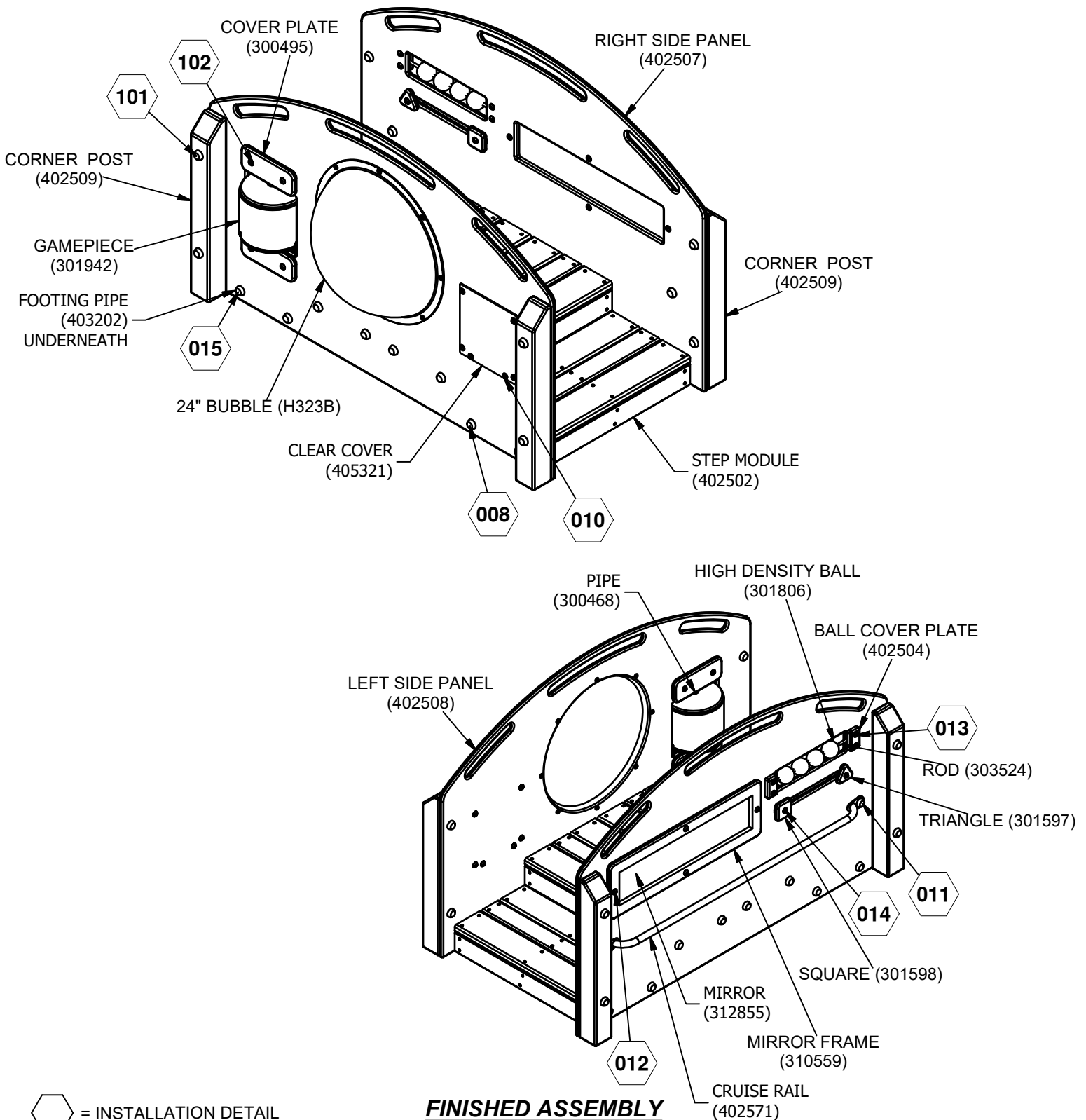
Note: Peen Tee-Nuts and Flatwashers to match radius of pipe after assembly is complete.

Note: Loctite (supplied by others) should be used on any non-patch hardware.

INSTALLATION INSTRUCTIONS:

1. Dig footing holes as shown in Elevation and Plan Views. Refer to Top View for orientation.
2. Attach Footing Pipe to Step Modules and Right and Left Side Panels using 3/8" x 3" Hex Head Bolt, 3/8" Flat Washer, 10mm Do-Nut Base, 3/8" Flat Washer, 3/8" Lock Nut, and 10mm Do-Nut Cap. See Detail 015.
3. Attach Step Modules to Right and Left Side Panels using 3/8" x 2 3/4" Hex Head Bolt, 3/8" Flat Washer, 10mm Do-Nut Base, 3/8" Lock Nut, and 10mm Do-Nut Cap. See Detail 008.
4. Attach Corner Posts to Right and Left Side Panels using 10mm Do-Nut Cap, 3/8" x 5" Hex Head Bolt, 3/8" Internal Tooth Lock Washer, 10mm Do-Nut Base, and 3/8" Lock Nut. See Detail 101.
5. Insert Pipe into Gamepiece making sure the braille is at the bottom. Place in the slot of the Left Side Panel. Apply Cover Plate using 3/8" x 2" P.B.H.C.S. w/Patch, 3/8" Flat Washer, and 3/8" Barrel Nut. See Detail 102.
6. Attach 24" Bubble to Left Side Panel using 1/4" x 3/4" B.H.C.S. w/Patch, 1/4" Flat Washer, and Nut Joint Connector. See Detail 009.
7. Attach Clear Cover to Left Side Panel using 3/8" x 3/4" P.B.H.C.S. w/Patch, 3/8" Flat Washer, 3/8" Plastic Washer, and 3/8" Barrel Nut. See Detail 010.
8. Attach Cruise Rail to Right Side Panel using 10mm Do-Nut Cap, 3/8" x 1 3/4" Hex Head Bolt, 3/8" Flat Washer, 10mm Do-nut Base, and 3/8" Lock Nut. See Detail 011.
9. Attach Mirror Frame to Right Side Panel using 3/8" x 1 1/4" P.B.H.C.S. w/Patch, 3/8" Flat Washer, and 3/8" Barrel Nut. See Detail 012.
10. Drill 1/2" hole through High Density Balls. Slide High Density Balls on to Rod. Put the Rod with High Density Balls in slot of Right Side Panel. Apply Ball Cover Plate using 3/8" x 1 1/4" P.B.H.C.S. w/Patch, 3/8" Flat Washer, and 3/8" Barrel Nut. See Detail 013.
11. Attach Triangle to Right Side Panel using 3/8" x 2 3/4" P.B.H.C.S. w/Patch, 3/8" Flat Washer, Bronze Bushing, and 3/8" Barrel Nut. See Detail 014.
12. Attach Square to Right Side Panel using 3/8" x 2 3/4" P.B.H.C.S. w/Patch, 3/8" Flat Washer, Bronze Bushing, and 3/8" Barrel Nut. See Detail 014.
13. Plumb and level the entire assembly and tighten all fasteners.
14. After entire unit is assembled pour concrete footings within 4" to the top and taper away from post for water drainage. Allow to cure at least 48 hours before use. Temporary bracing may be required until concrete cures.
15. When the structure is finished and satisfactory, eliminate sharp points and sharp edges (burring) on installed hardware like bolts, nuts, etc. Install resilient surfacing material within the use zone of play structure in accordance with ASTM specifications F1292 appropriate for the fall height of each structure. Refer to the safety guidelines.

MEC009 KINDER CROSSING



 = INSTALLATION DETAIL

Issued/Revised: 10/15/2019

FINISHED ASSEMBLY

BigToys[®]

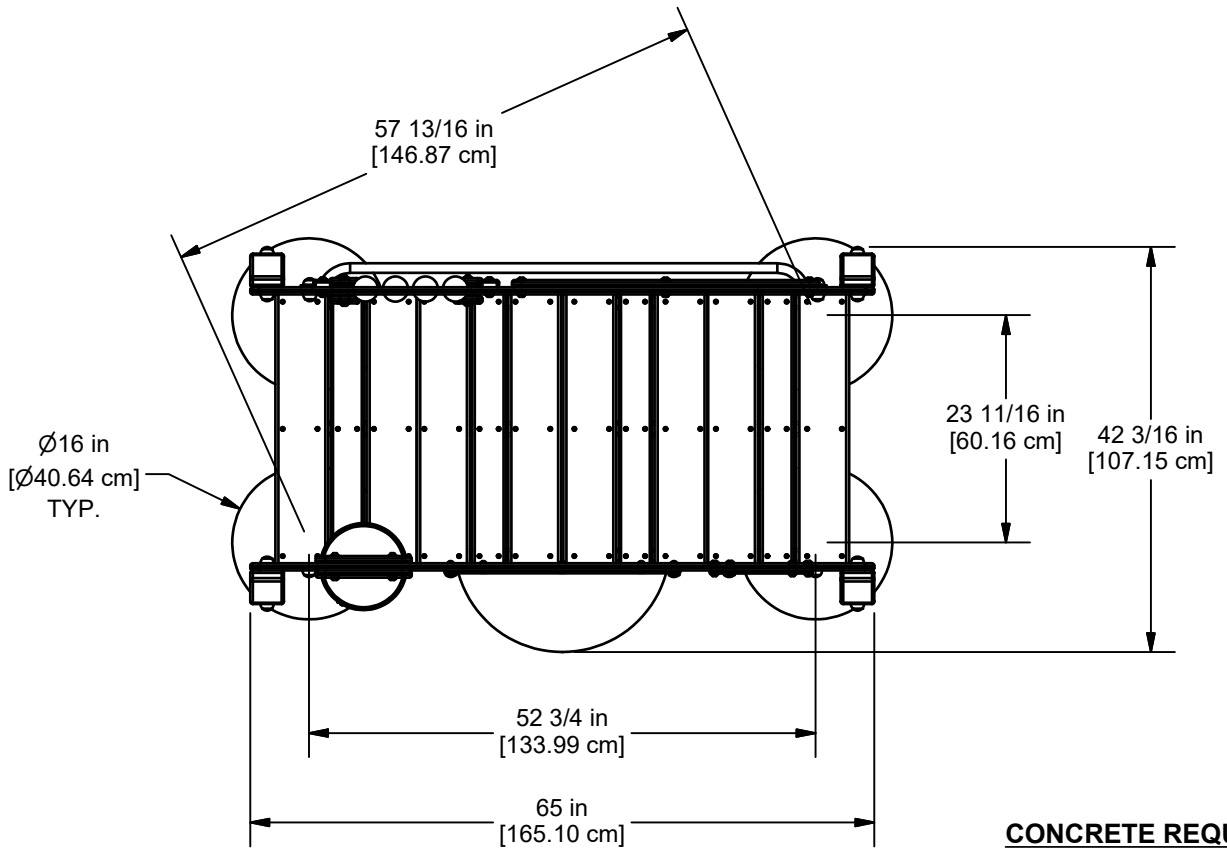
A PLAYCORE Company

SHEET 3 OF 7

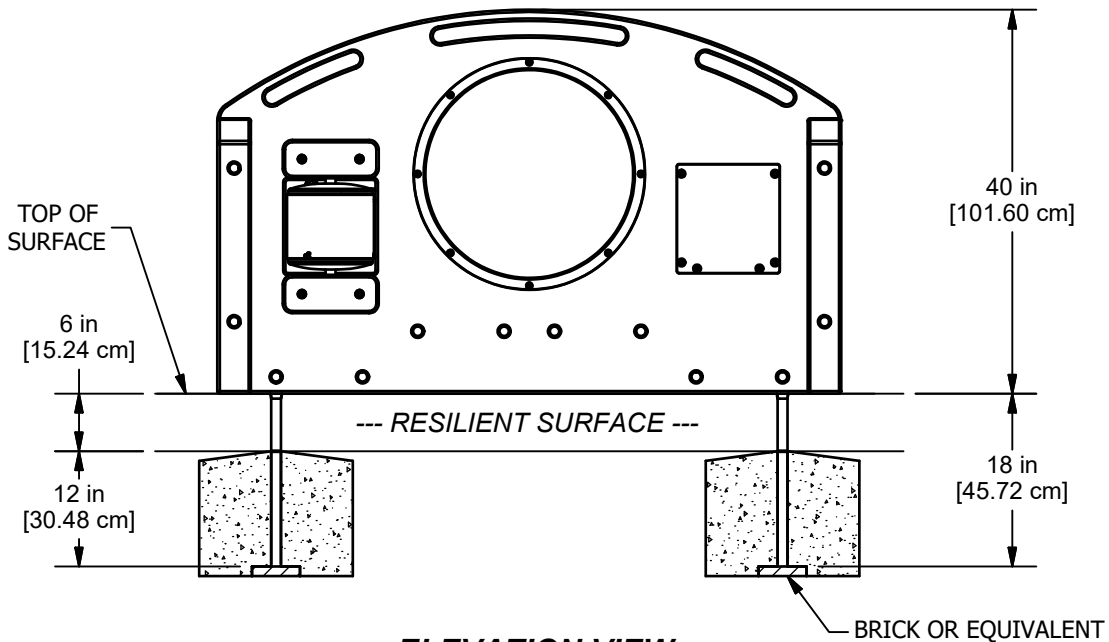
1-866-814-8697

bigtoys.com

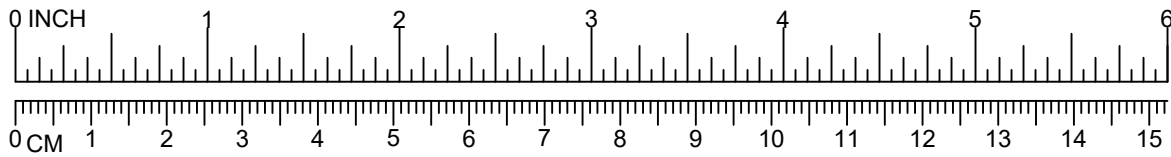
MEC009 KINDER CROSSING



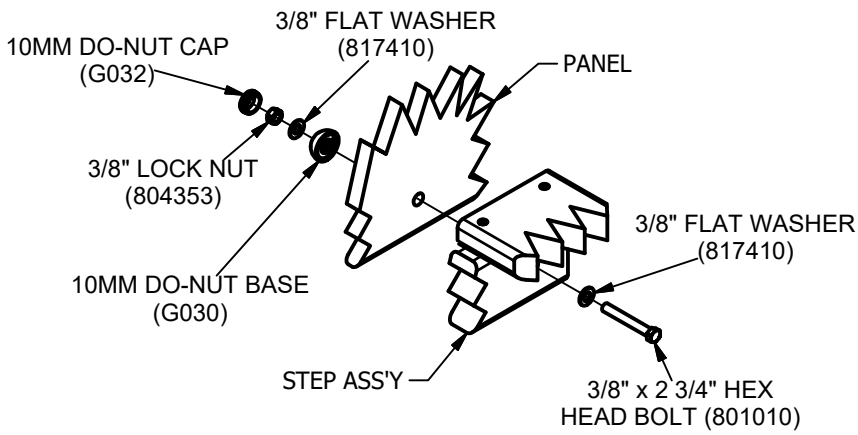
PLAN VIEW



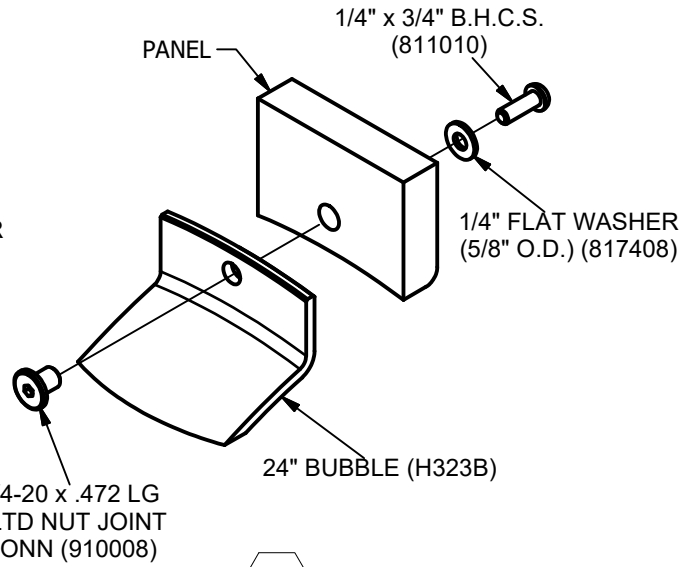
ELEVATION VIEW



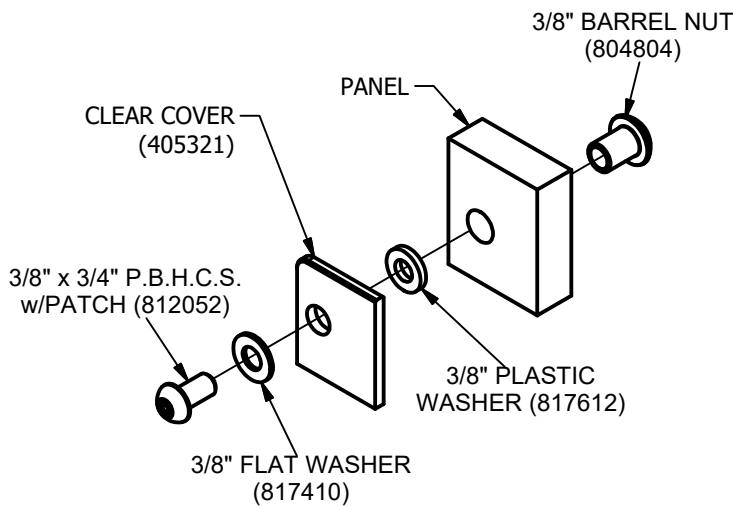
MEC009 KINDER CROSSING



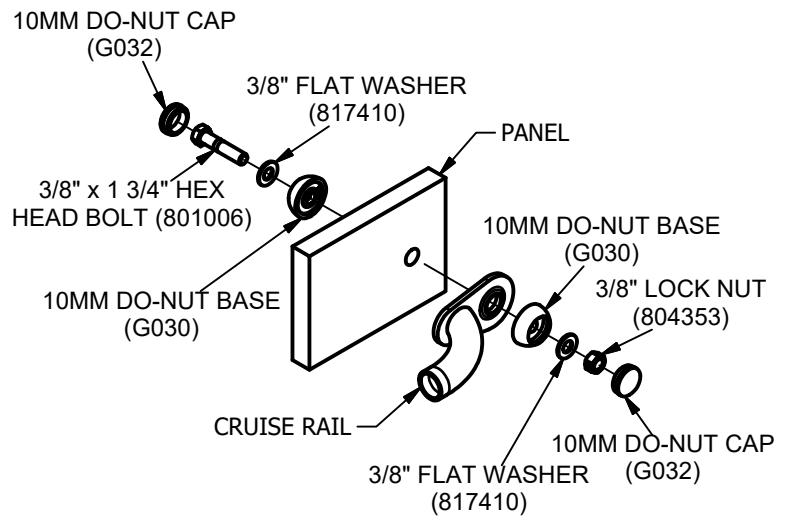
008



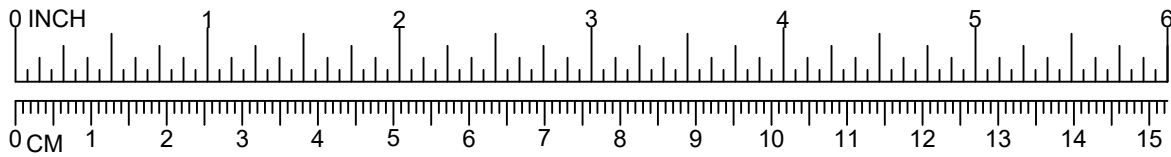
009



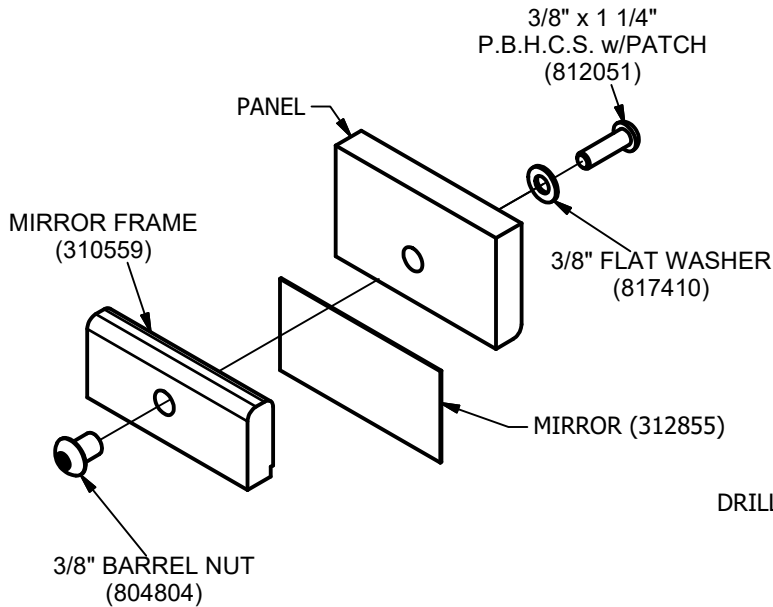
010



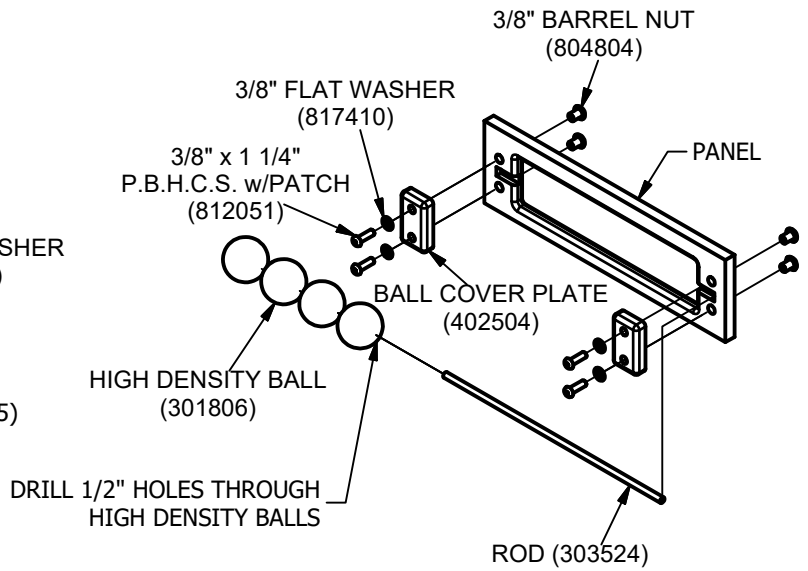
011



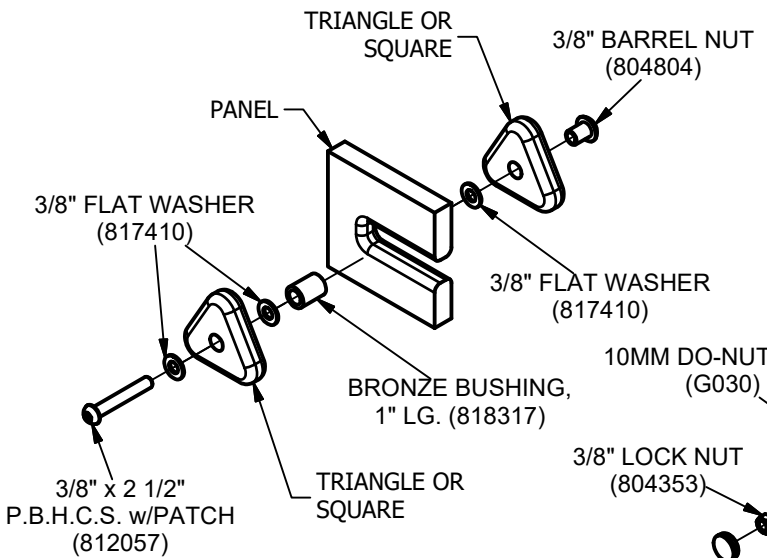
MEC009 KINDER CROSSING



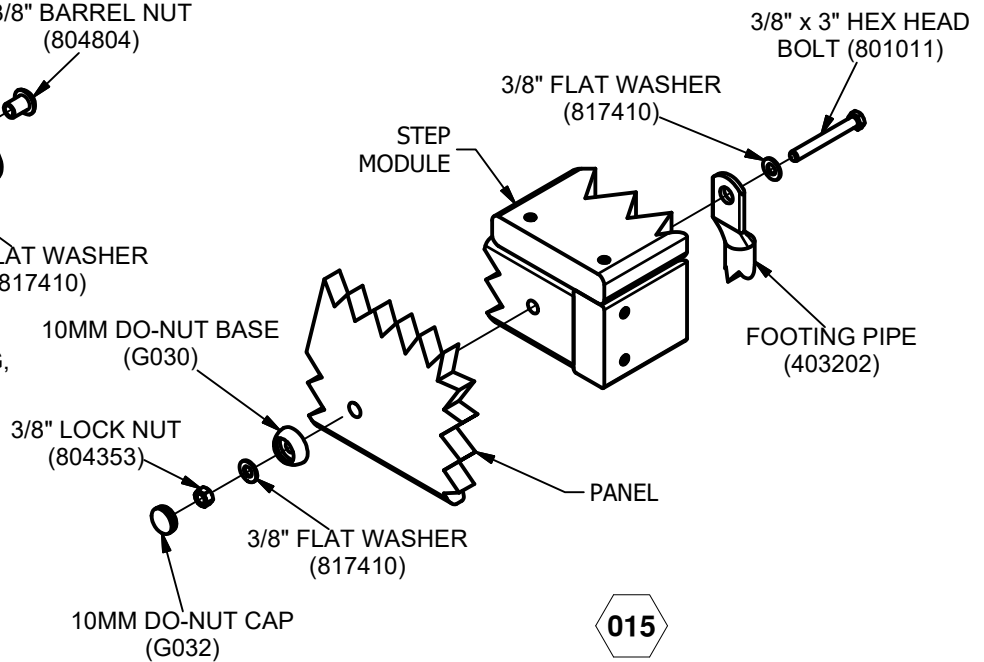
012



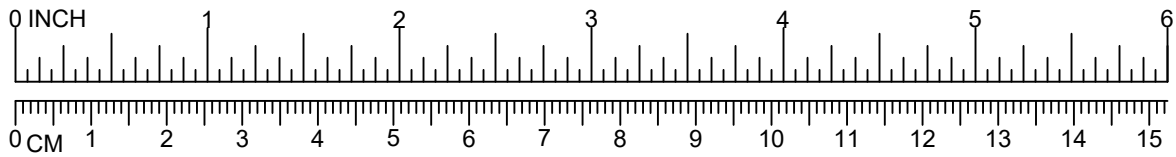
013



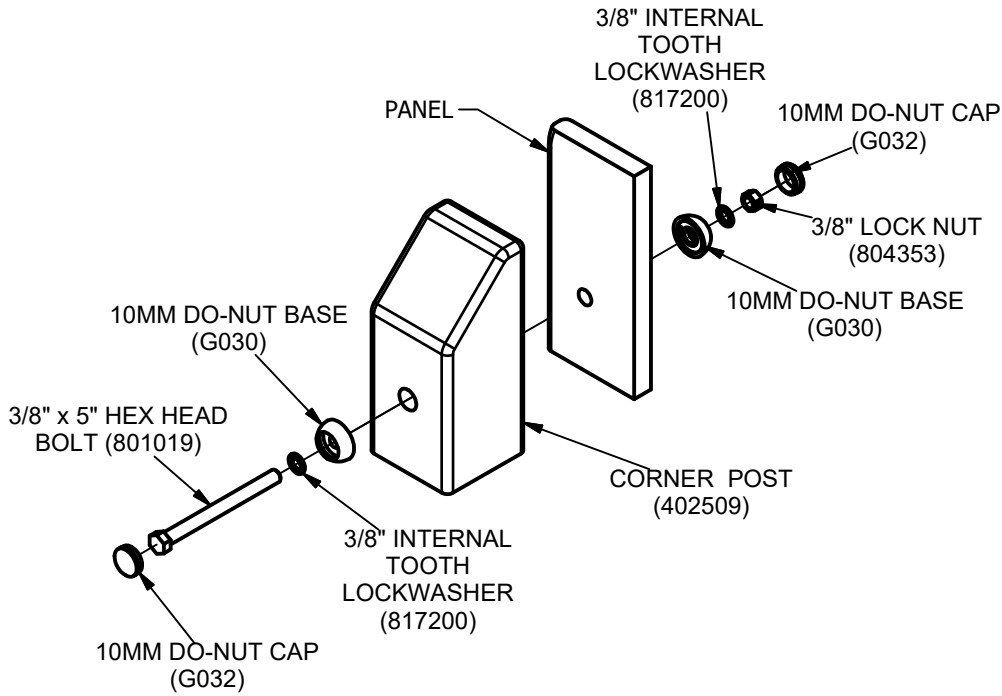
014



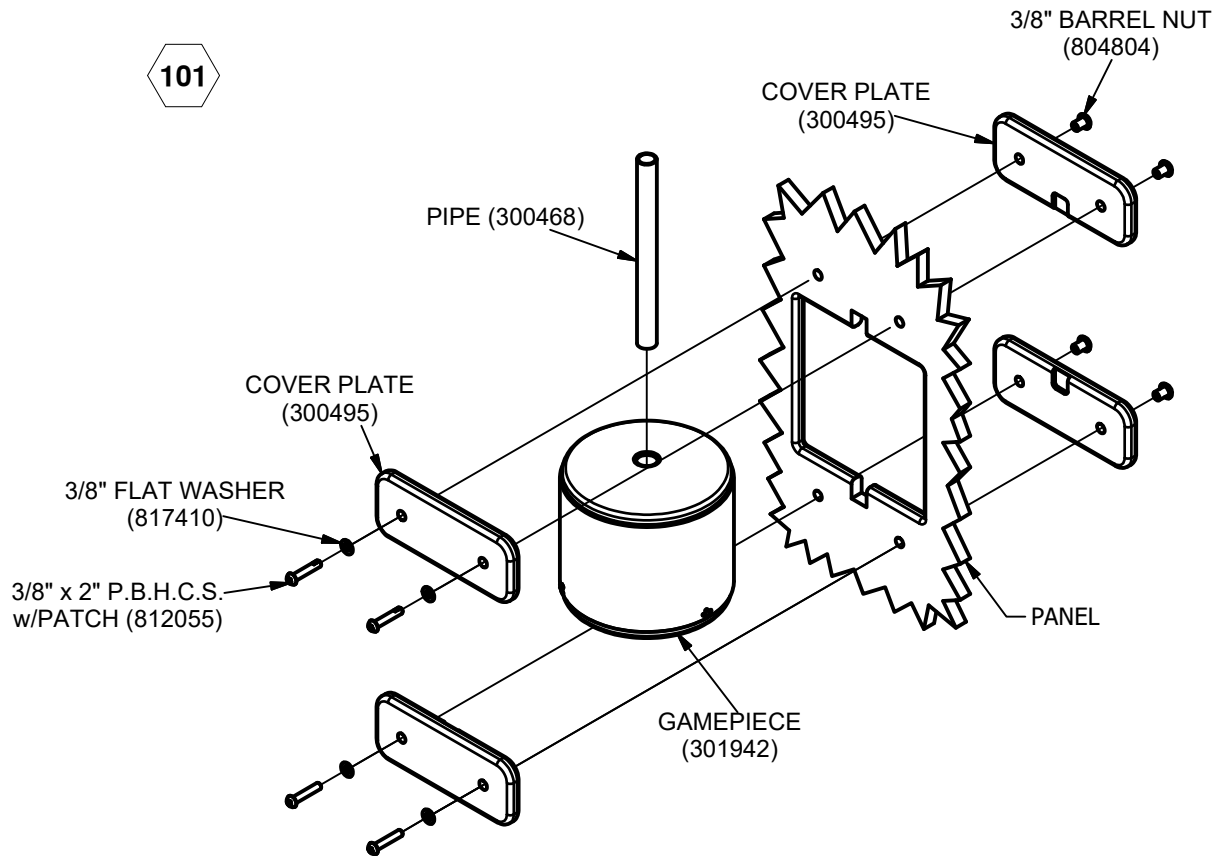
015



MEC009 KINDER CROSSING



101



102