

BigToys®

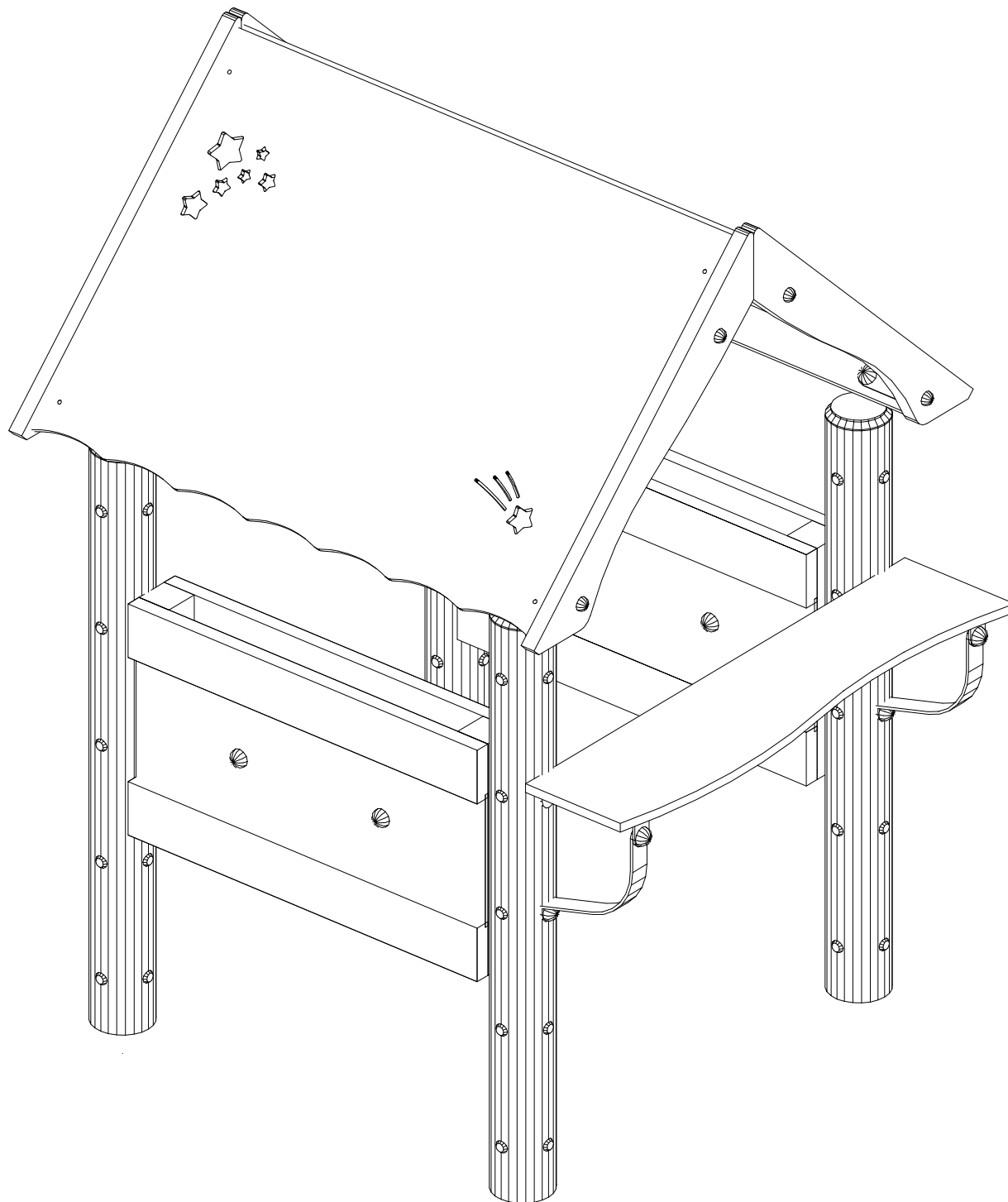
A PLAYCORE company

EarlyWorks Structure 2-5

Layout Drawing

EC-023

ISO View



BigToys®

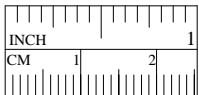
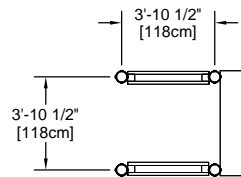
A PLAYCORE company

EarlyWorks Structure 2-5

Layout Drawing

EC-023

Scale Plan View



Structure Dimension:	5'-6" x 4'-6"
Resilient Surface Area:	N/A
Estimated Concrete:	5 ft. ³ (.14m ³)
Fall Height:	2'-0"
Estimated Hours to Install:	8
Plan View Scale:	1/8"=1'-0"

EarlyWorks Structure 2-5

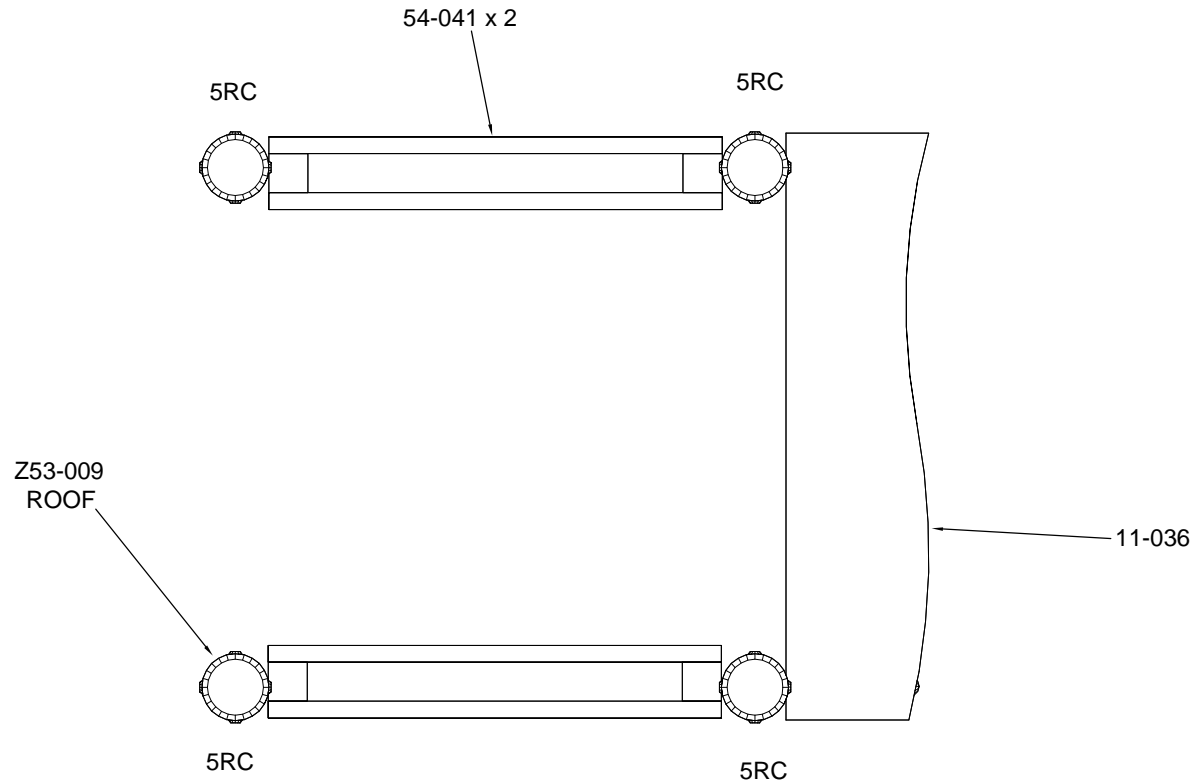
Layout Drawing

EC-023

Large Plan View

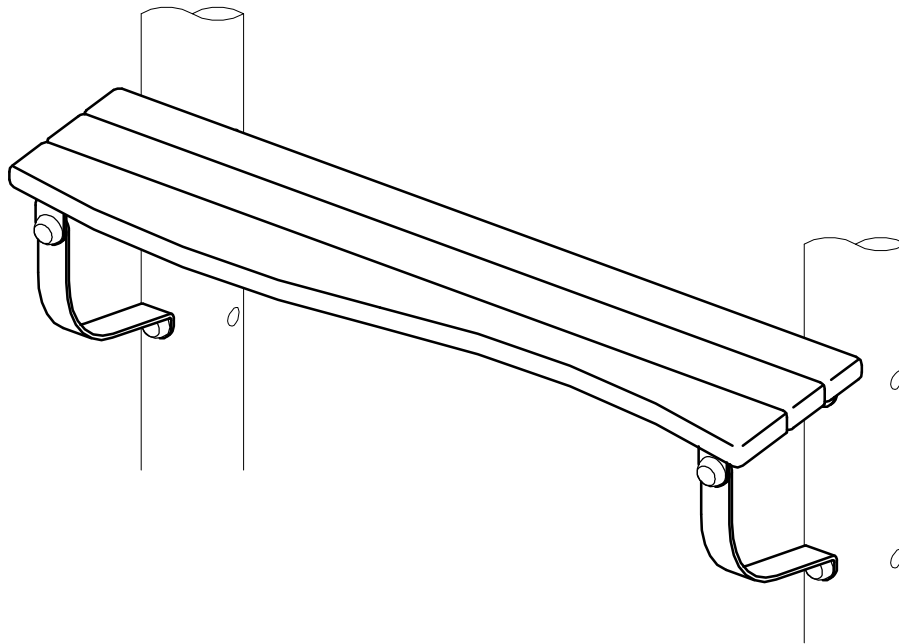
METRIC CONVERSION:

6" = 15cm	60" = 152cm
12" = 30cm	66" = 168cm
18" = 46cm	72" = 183cm
24" = 61cm	78" = 198cm
30" = 76cm	84" = 213cm
36" = 94cm	90" = 229cm
42" = 107cm	96" = 224cm
48" = 122cm	102" = 259cm
54" = 137cm	



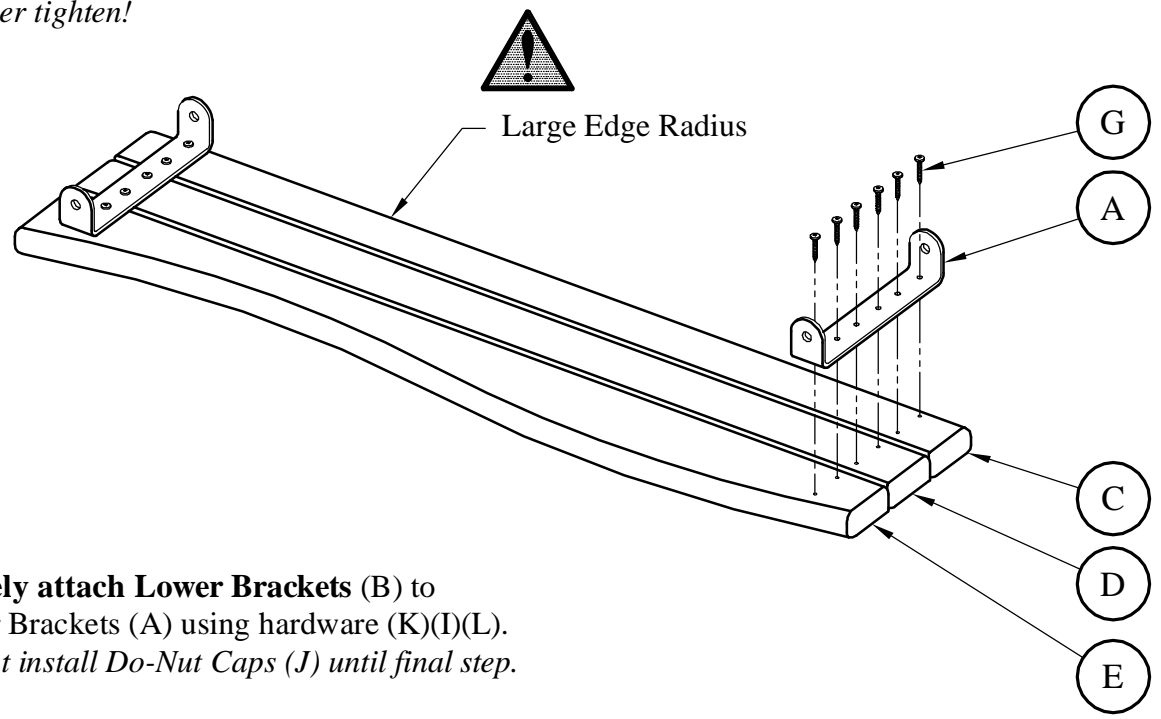
Play Counter

11-036
Installation Instructions

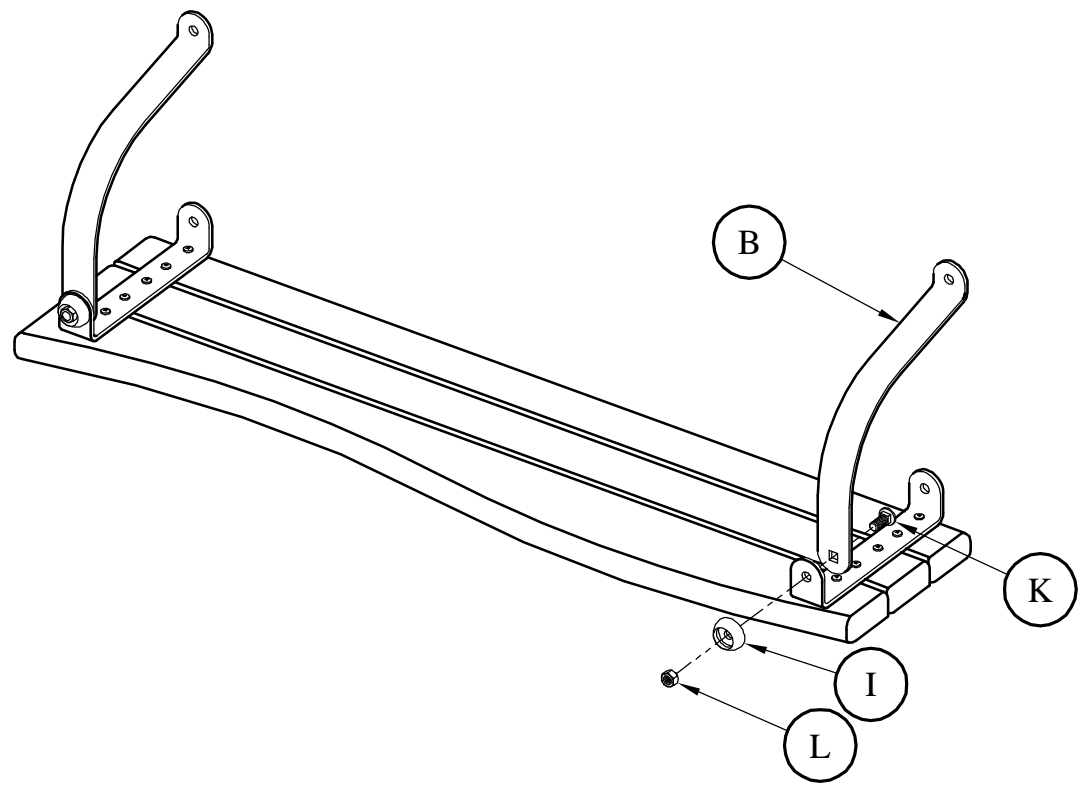


DET.	QTY.	PART#	DESCRIPTION	ICON (NOT TO SCALE)
A	2	401461	Bracket, Deck Seat Support Upper	
B	2	401458	Bracket, Seat Support Palisade Leg	
C	1	9541	Edge Board	
D	1	9542	Mid Board	
E	1	9543	Profiled Edge Board	
F	4	G000	Eagle Fastener	
	1	D215_	Connector Palisade Seat	
G	12	809693	#14 x 1-1/2" Sq Dr Pn Hd SS	
H	4	801225	Bolt, Tap 1/2-13 x 2-1/2" Nc Pltd	
I	6	G034_	Do-Nut Base (No Boss) 12mm	
J	6	G036_	Do-Nut Cap 12mm	
K	2	800431	Bolt Carriage 1/2" x 1-1/4" Nc Pltd	
L	2	804355	Nut Hex 1/2-13 2-Way Locknut Nc Pltd	

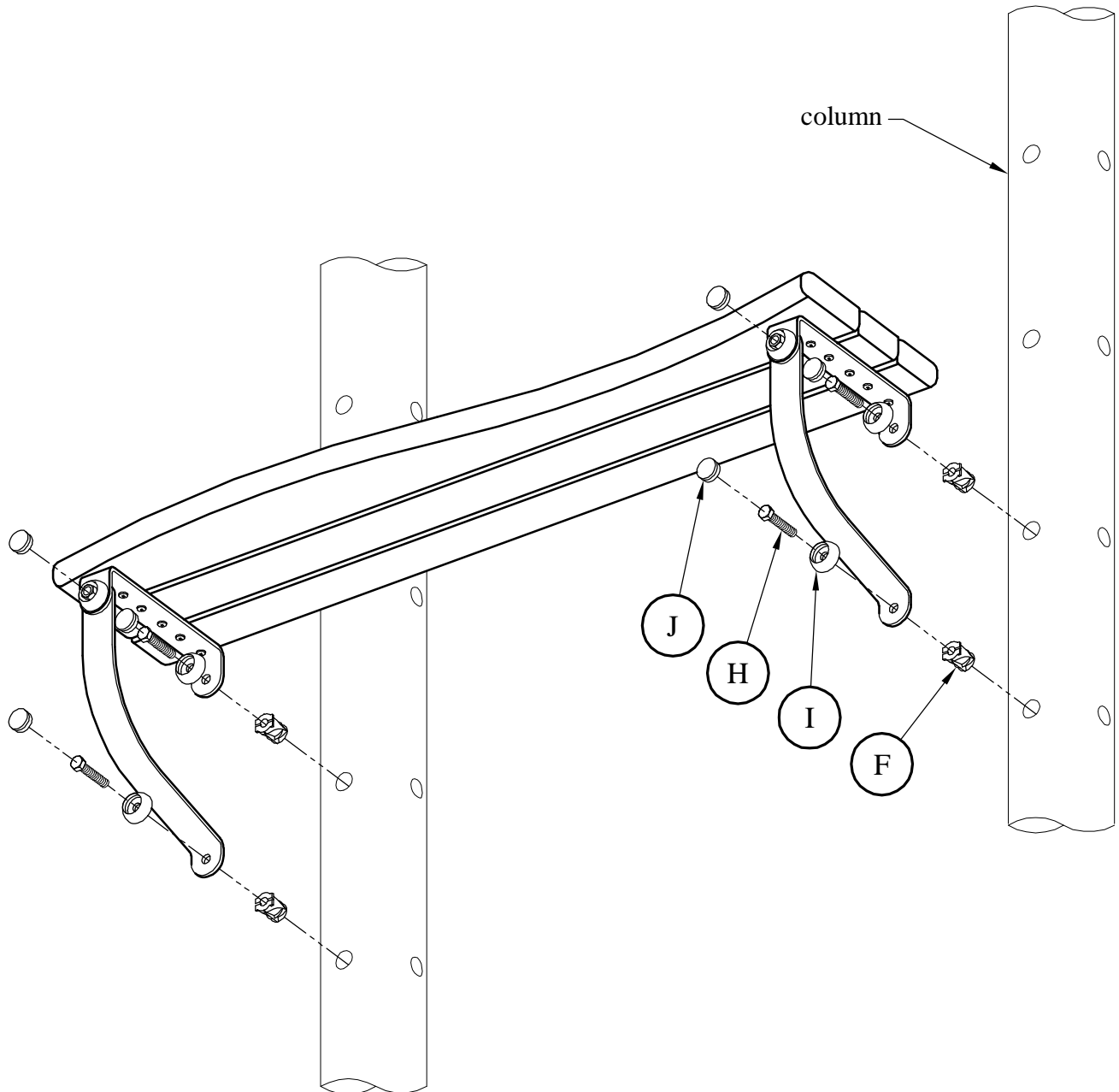
1. Refer to your structure design for location of the Play Counter.
2. **Arrange boards (C)(D)(E)** as shown and attach Upper Brackets (A) using screws (G).
Be sure bracket holes align with pilot holes in the boards and the large edge radius on board (C) faces outward. Do not over tighten!



3. **Loosely attach Lower Brackets (B)** to Upper Brackets (A) using hardware (K)(I)(L).
Do not install Do-Nut Caps (J) until final step.

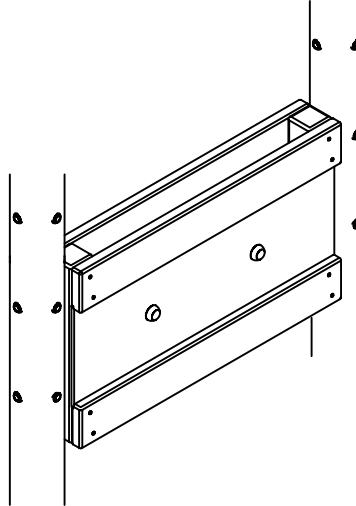





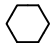
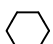



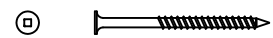
4. **Install Eagle Fasteners (F)** into columns.
(See "Typical Eagle Installation.")
5. **Locate Play Counter** against columns and attach using hardware (I)(H)(J).
(See "Typical Do-Nut Installation.")
6. **Tighten all hardware** and install remaining Do-Nut Caps (J).



Green Thumb Enclosure

54041
Installation Instructions

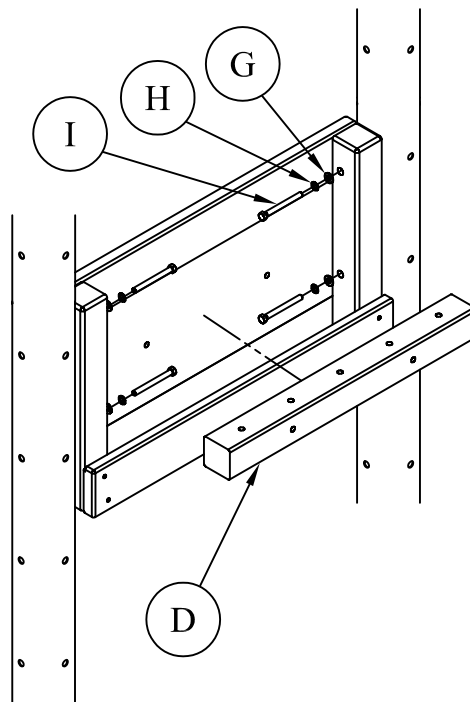
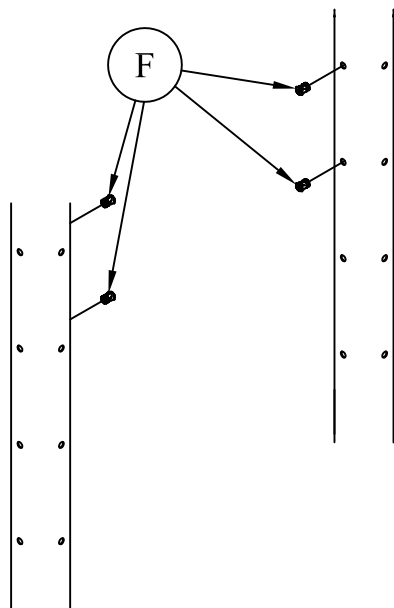


DET.	QTY.	PART#	DESCRIPTION	ICON (NOT TO SCALE)
A	1	L762_	Green Thumb Enclosure	
B	1	9858	Cornice 40-9/16", Green Thumb	
C	2	L551	Green Thumb Enclosure Panel	
D	1	3107	Green Thumb Enclosure Panel Support Board	
	1	D107_	Connector, Green Thumb Enclosure	
F	4	G000	Eagle Fastener	
G	4	817412	1/2" Flat Washer, 1-1/16" OD SS	
H	4	817201	Lock Washer, 1/2" Int Tooth Type A PLTD	
I	4	801221	Bolt 1/2 x 5-1/2" Pltd - Full Thread	
J	2	800807	Bolt, 1/2 x 5" Full Thread	
K	2	804355	Nut, Hex 1/2" - Lock	
L	4	G034	Do-Nut Base (No Boss) 12mm	
M	4	G036	Do-Nut Cap 12mm	
N	4	815511	Wood Screw #10 x 3" Bugle Hd Sq Dr SS	

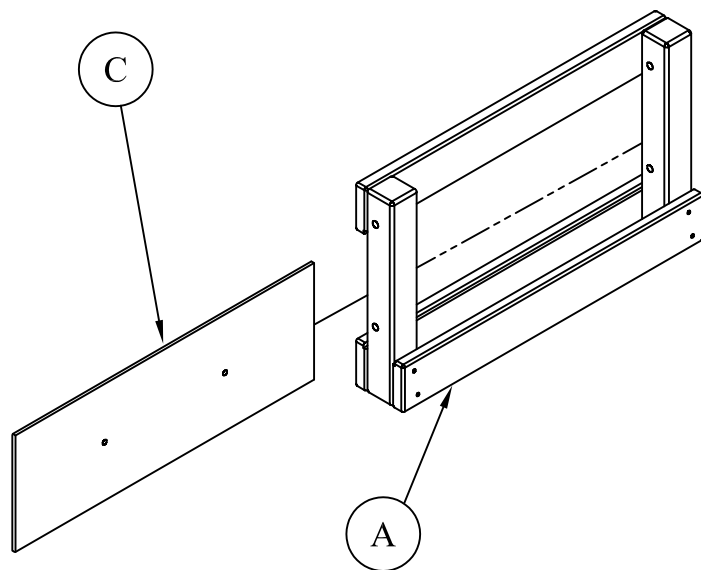
1. Refer to your Structure Design for location and orientation of Green Thumb Planter.
2. **Install Eagle Inserts (F) in Columns.**
(See "Typical Eagle Fastener Installation)."
4. Attach **Enclosure** to columns with hardware (I)(H)(G). Place **Enclosure Support Board (D)** in the center and line up holes in **Panel (C)**.



Refer to "Typical Eagle Fastener Installation" in the supplemental prolog (iZ1000) for installation procedures.

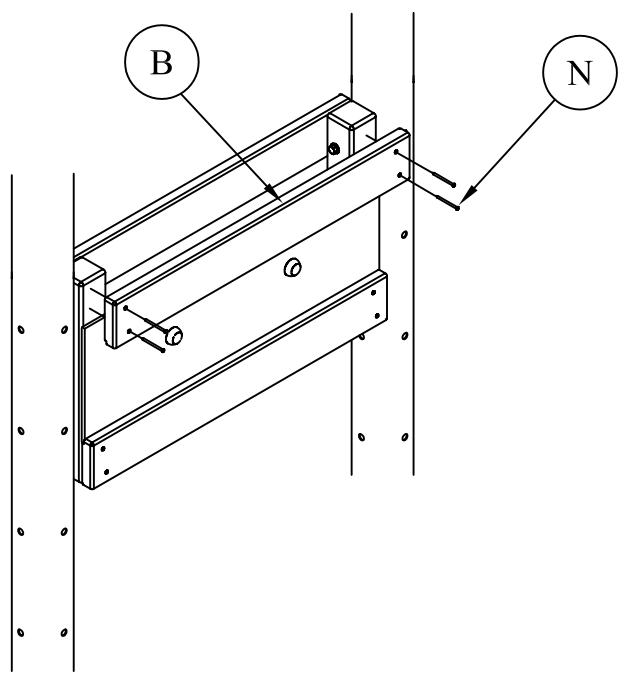
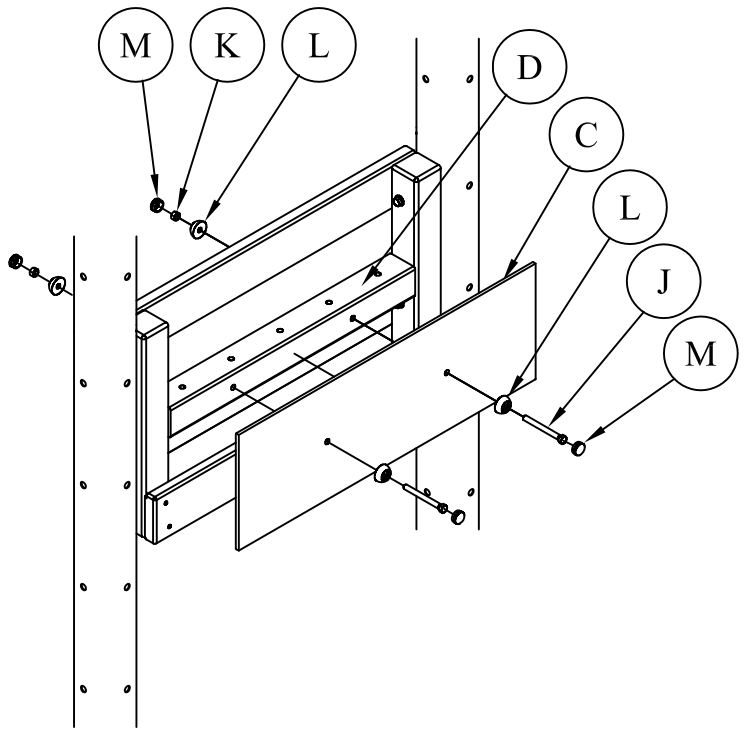


3. Slide **Enclosure Panel (C)** in before attaching to columns.



5. Insert hardware(L)(J)(K)(M) through **Panel (C)** to support **Enclosure Support Board (D)**.

6. Attach **Top Cornice (B)** with **Wood Screws (N)**.





M53009 Playhouse Roof w/Panels 58" (Green) - Metal
Z53009 Playhouse Roof w/Panels 58" (Green) - Wood
M53011 Playhouse Roof w/Panels 58" (Blue) - Metal
Z53011 Playhouse Roof w/Panels 58" (Blue) - Wood

ITEM	DESCRIPTION	M53009	Z53009	M53011	Z53011	PART #
1	PLAYHOUSE ROOF PANEL 58" - LEAF	2	2	0	0	L549
1	PLAYHOUSE ROOF PANEL 58" - STARS	0	0	2	2	L541
2	COLUMN END FITTING - METAL	4	0	4	0	M600
2	COLUMN END FITTING - WOOD	0	4	0	4	Z600
3	ROOF PURLIN BRACKET	4	4	4	4	401352
4	FASCIA PLAYHOUSE - RECYCLED	4	0	4	0	402092
4	FASCIA PLAYHOUSE - WOOD	0	4	0	4	L226
5	BEAM, LOWER 58" - RECYCLED	2	0	2	0	401704
5	BEAM, LOWER 58" - WOOD	0	2	0	2	L241
6	BEAM, UPPER 58" - RECYCLED	2	0	2	0	401706
6	BEAM, UPPER 58" - WOOD	0	2	0	2	L243
	CONNECTOR PLAYHOUSE ROOF w/PANELS - RECYCLED	1	0	1	0	E284
	CONNECTOR PLAYHOUSE ROOF w/PANELS - WOOD	0	1	0	1	D284
7	10MM DO-NUT BASE	16	16	16	16	G030
8	10MM DO-NUT CAP	16	16	16	16	G032
9	12MM DO-NUT BASE	4	4	4	4	G034
10	12MM DO-NUT CAP	4	4	4	4	G036
11	PLAYHOUSE "L" BRACKET	4	4	4	4	401462
12	PLAYHOUSE 90D BRACKET	4	4	4	4	401463
13	PLAYHOUSE 90D - GUSSET - HDG BRACKET	4	4	4	4	401464
14	#10 x 2" WOOD SCREW	24	24	24	24	815507
15	1/4" x 15/32" DRIVE RIVET	8	8	8	8	805303
16	1/4" x 1" P.B.H.C.S. w/Patch	16	0	16	0	812012
16	5/16" x 4" TORX HEAD LAG SCREW	0	16	0	16	800744
17	1/4" FLAT WASHER (5/8" O.D.)	16	0	16	0	817408
17	5/16" FLAT WASHER (5/8" O.D.)	0	16	0	16	817406
18	3/8" x 2 1/4" HEX HEAD BOLT	4	4	4	4	801008
19	3/8 x 2 1/4" CARRIAGE BOLT	16	16	16	16	800258
20	3/8" INTERNAL TOOTH LOCKWASHER	24	24	24	24	817200
21	3/8" FENDER WASHER	8	8	8	8	817009
22	3/8" LOCK NUT	20	20	20	20	804353
23	1/2 x 2 1/4" CARRIAGE BOLT	4	4	4	4	800429
24	1/2" INTERNAL TOOTH LOCK WASHER	4	4	4	4	817201
25	1/2" LOCKNUT	4	4	4	4	804355



Playhouse Roof w/ Panels

Unless Otherwise Specified, All Units of Measure are Each

Items listed below Hardware Complete line are included with Hardware Complete Number

Warning: During Installation, Hardware And Small Parts Are Choking Hazards For Young Children. Store Unused Parts Appropriately Until Assembly Is Completed. Once Assembly Is Completed, Remove Any Unused Parts From The Play Environment And Dispose/Save Them In A Secure Location. Any bolt end protruding more than two full threads beyond the face of the nut causes risk of clothing entanglement.

Promptly cut-off flush, file smooth, and treat to prevent corrosion.

Note: Peen Tee-Nuts and Flatwashers to match radius of pipe after assembly is complete.

Note: Loctite (supplied by others) should be used on any non-patch hardware.

MAINTENANCE PROCEDURE:

Periodically check hardware for tightness, and tighten as necessary. Always check all parts for breakage or wear, and immediately put equipment out of service until any faulty parts found are repaired or replaced. Also Check all metal parts for rust, paint loss and touch-up if necessary with paint. Check for welded areas and verify integrity. Check periodically resilient surfacing for appropriate depth and remove extraneous materials that could cause injury, infection, or disease. Maintain detailed installation, inspection, maintenance, and repair records for each public-use playground equipment.

Playhouse Roof w/ Panels

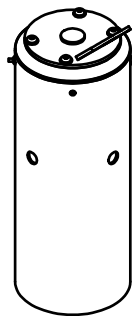
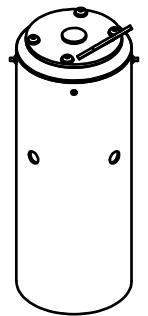
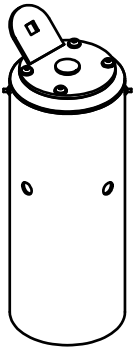
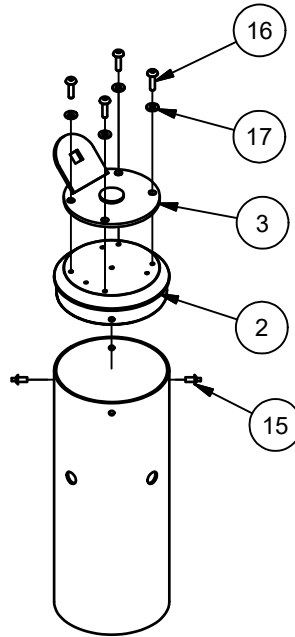
1. Refer to your structure design for location of Playhouse Roof.

2. Attach Roof Purlin Brackets (1) to Column End Fitting-Bracket Mount (6) using hardware (7)(21).

Note: Use Thread Locking Compound (Provided by others) on hardware (7).

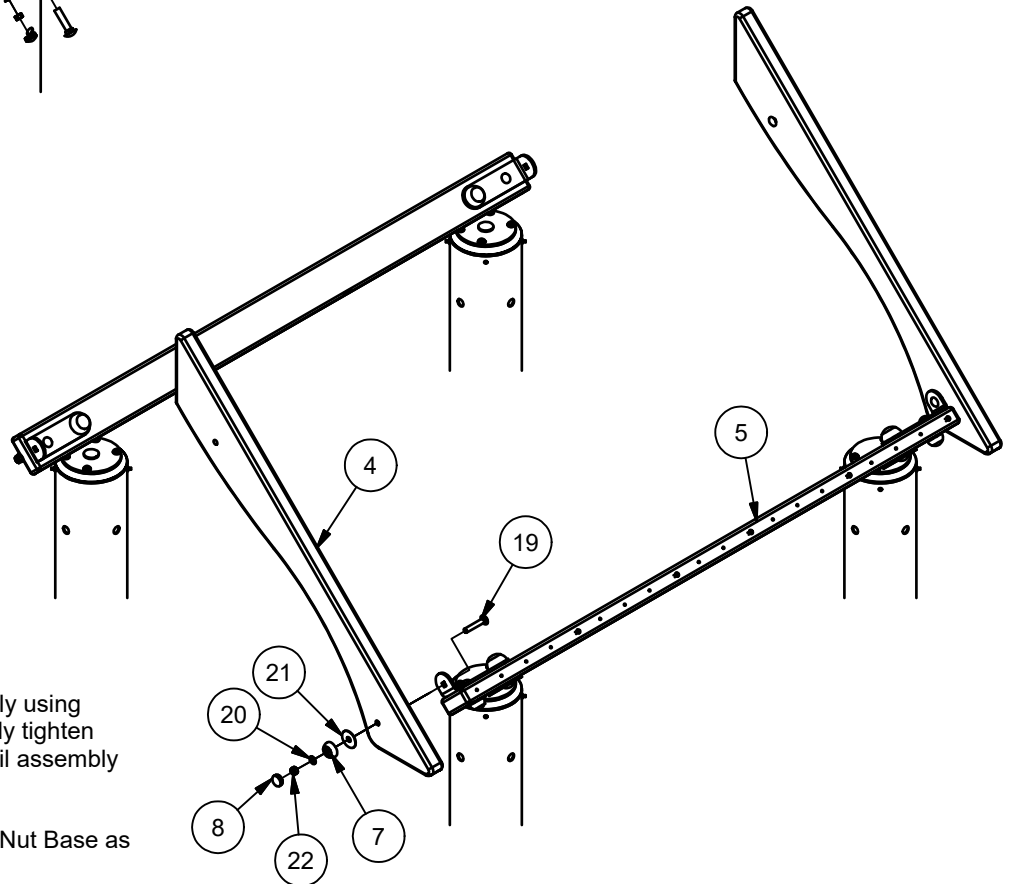
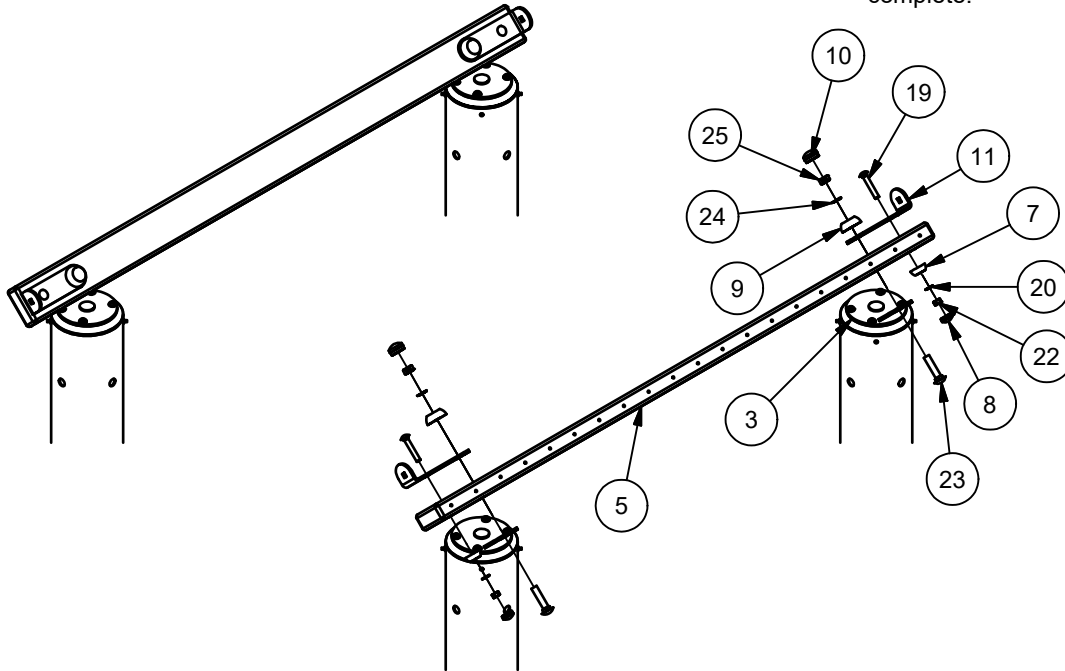
3. Insert the Column End Fitting-Bracket Mount Assembly into column and orient as shown.

4. Permanently attach Column End Fittings (6) to column using Drive Rivets (22) as shown. (See "Typical Column End Fitting Installation.")



Playhouse Roof w/ Panels

5. Attach Lower Beams (4) and Playhouse "L" Brackets (15) using hardware (9)(10)(13)(24) and (11)(18)(19)(20). Do not install Do-Nut Caps (12)(14) until assembly in complete.



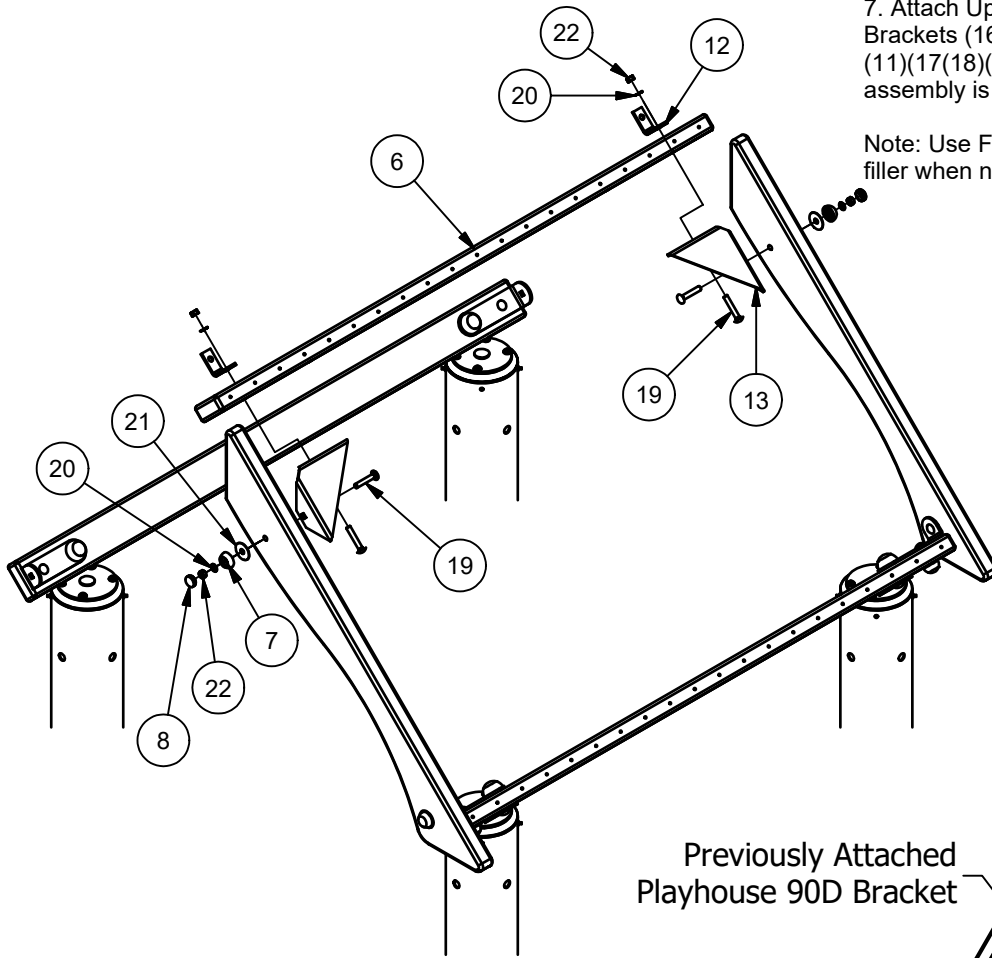
6. Attach Facias (2) to Lower Beam assembly using hardware (11)(18)(19)(20). Do not completely tighten Hex Nut (18) or install Do-Nut Caps (12) until assembly is complete.

Note: Use Fender Washer (25) beneath Do-Nut Base as filler when necessary.

Playhouse Roof w/ Panels

7. Attach Upper Beams (5) and two outer Playhouse 90D Brackets (16) using hardware as shown (11)(17)(18)(19)(20). Do not install Do-Nut Caps (12) until assembly is complete.

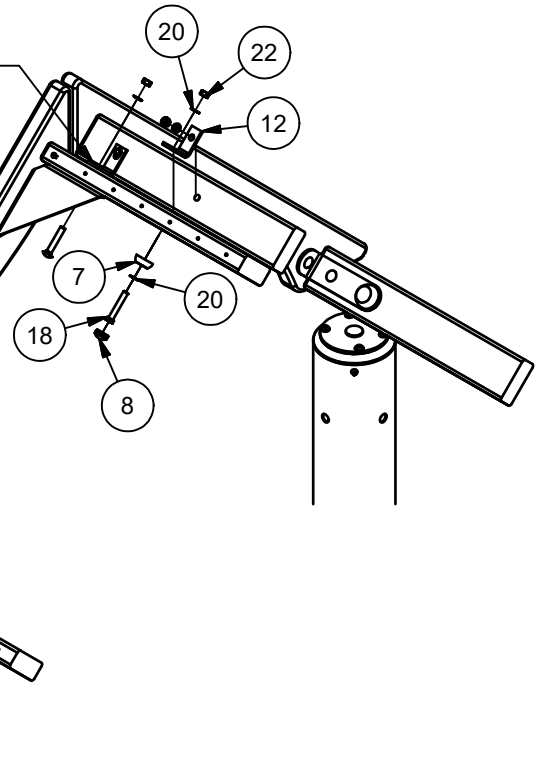
Note: Use Fender Washer (25) beneath Do-Nut Base as filler when necessary.



Previously Attached
Playhouse 90D Bracket

8. Repeat steps 5-6 to assemble other half of roof framework. Do not attach Playhouse 90D Bracket (16) until the next step.

9. Install remaining Playhouse 90D brackets (16) and bolt through previously attached Playhouse 90D Brackets to complete roof framework assembly using hardware as shown (11)(12)(20)(23).



Playhouse Roof w/ Panels

10. Attach Roof Panels (3) to both sides of roof framework by inserting Wood Screws (8) through the Panels and into pilot holes in Upper and Lower Beams.

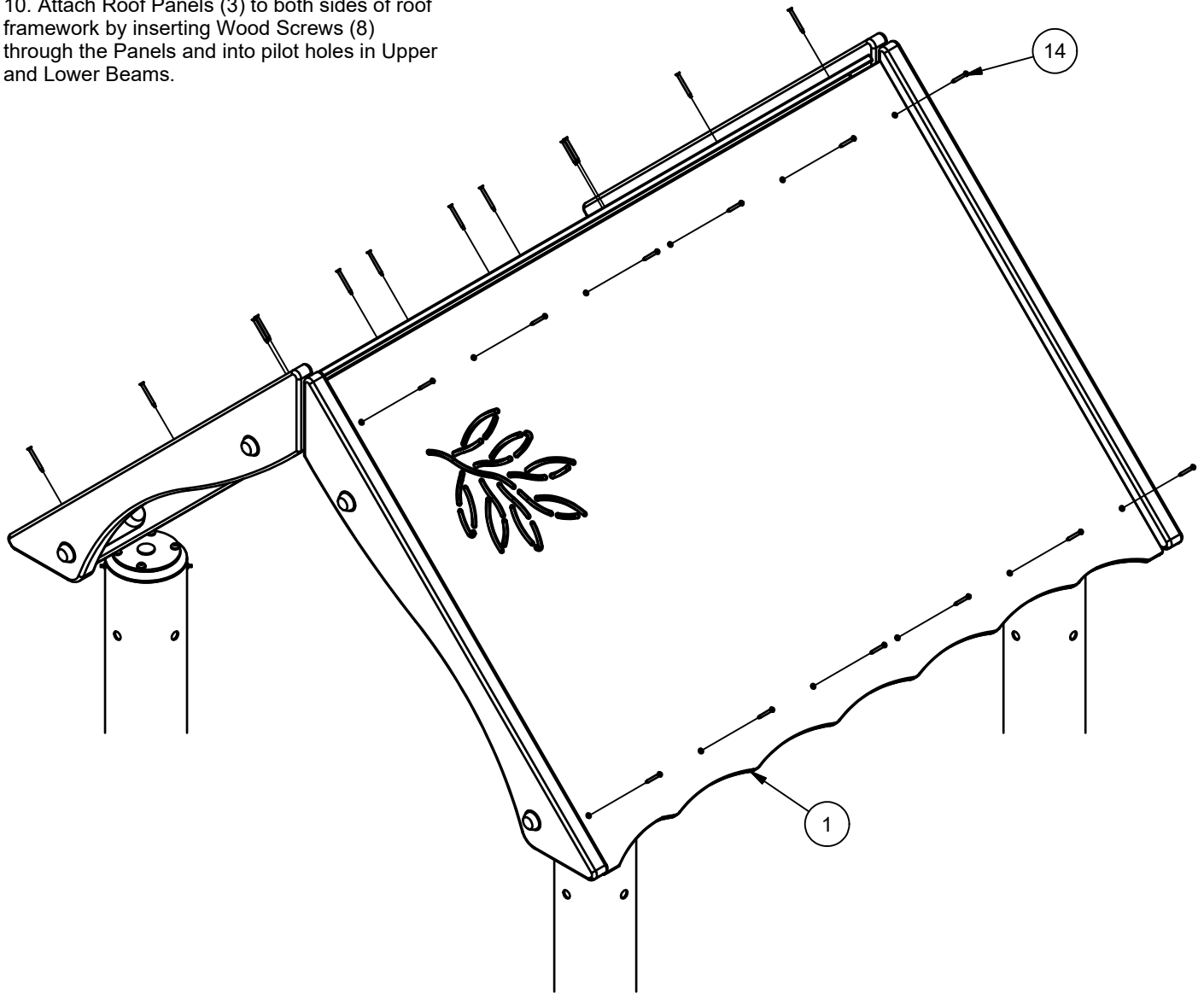


IMAGE ON ROOF PANEL MAY VARY