

BT410 GLOBAL

Parts List		
DESCRIPTION	QTY	PART NUMBER
EXPLORER WALL	1	BT460
CHALLENGE CLIMB	1	BT461
NAVICLIMB INVERTED	1	BT476
X-CLIMBER	1	BT469
SINGLE DISK CABLE	1	311536
DOUBLE DISK CABLE	1	311550
UPRIGHT 1	1	402483
UPRIGHT 2	1	402485
HARDWARE COMPLETE	1	311569
5" POST TOP COVER	2	311349*
3/8" x 1/2" P.B.H.C.S. w/PATCH	4	812049*
3/4" ID BRONZE BEARING	4	817451*

*Unless Otherwise Specified, All Units of Measure are Each
Items listed below Hardware Complete line are included with Hardware Complete Number*

Warning: During Installation, Hardware And Small Parts Are Choking Hazards For Young Children. Store Unused Parts Appropriately Until Assembly Is Completed. Once Assembly Is Completed, Remove Any Unused Parts From The Play Environment And Dispose/Save Them In A Secure Location. Any bolt end protruding more than two full threads beyond the face of the nut causes risk of clothing entanglement.

Promptly cut-off flush, file smooth, and treat to prevent corrosion.

Note: Peen Tee-Nuts and Flatwashers to match radius of pipe after assembly is complete.

Note: Loctite (supplied by others) should be used on any non-patch hardware.

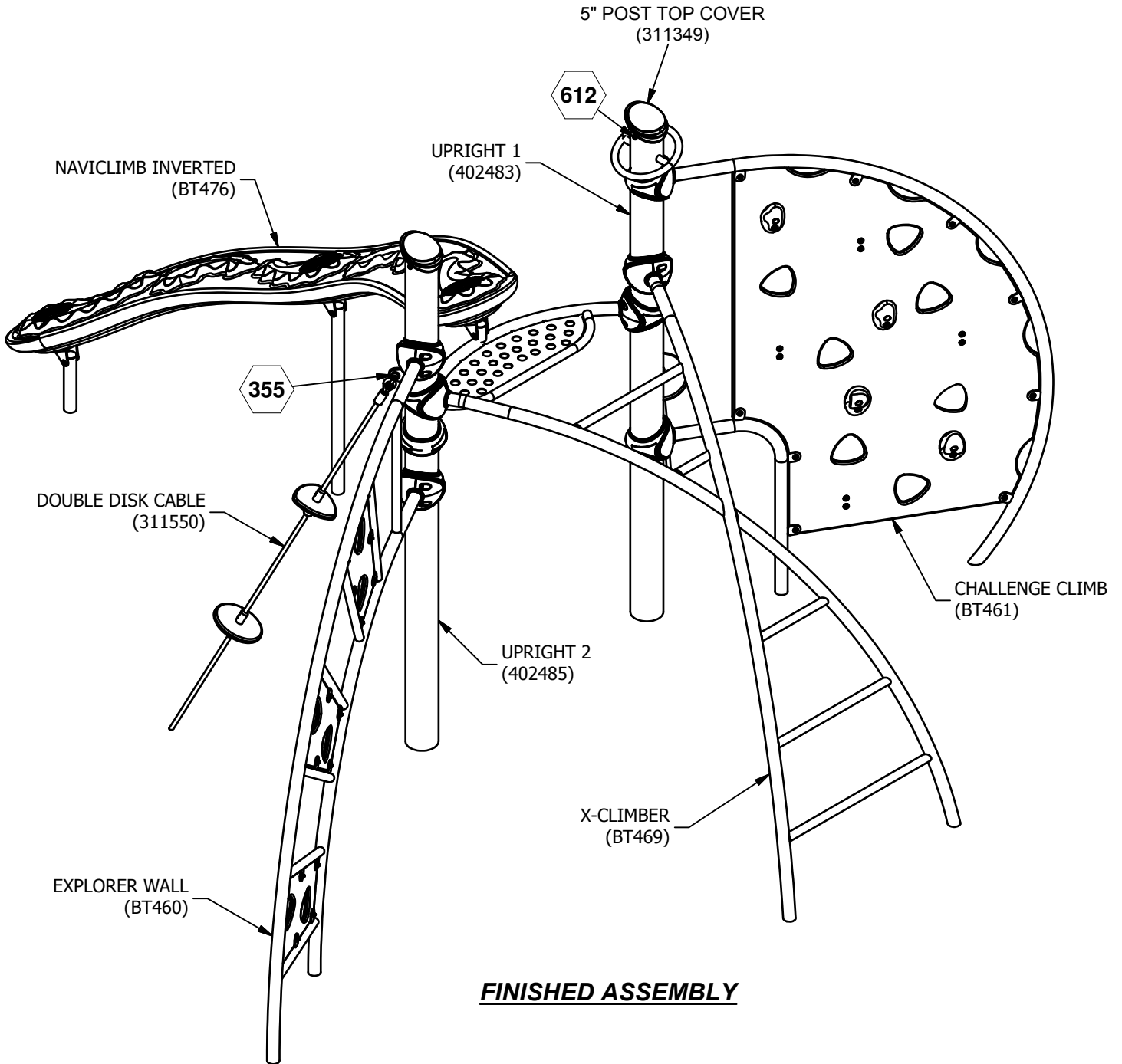
INSTALLATION INSTRUCTIONS:

1. Dig footing holes as shown in Ground Plan. See specific installation sheets for Elevation Views.
2. Refer to specific installation sheets for component attachments, hardware, details, and concrete requirements.
3. Attach 5" Post Top Cover to Uprights using 3/8" x 1/2" P.B.H.C.S. w/Patch. See Detail 612.
4. Attach Single Disk Cable and Double Disk Cable to Tabs located on Uprights. See Detail 355.
5. Plumb and level the entire assembly and tighten all fasteners.
6. After entire discrete unit is assembled pour concrete footings within 4" to the top and taper away from post for water drainage. Allow to cure at least 48 hours before use. **NOTE:** Temporary bracing may be required until concrete cures.
7. When the structure is finished and satisfactory, eliminate sharp points and sharp edges (burring) on installed hardware like bolt, nuts, etc. Install resilient surfacing material within the use zone of play structure in accordance with ASTM specifications F1292 appropriate for the fall height of each structure. Refer to the safety guidelines.

MAINTENANCE PROCEDURE:

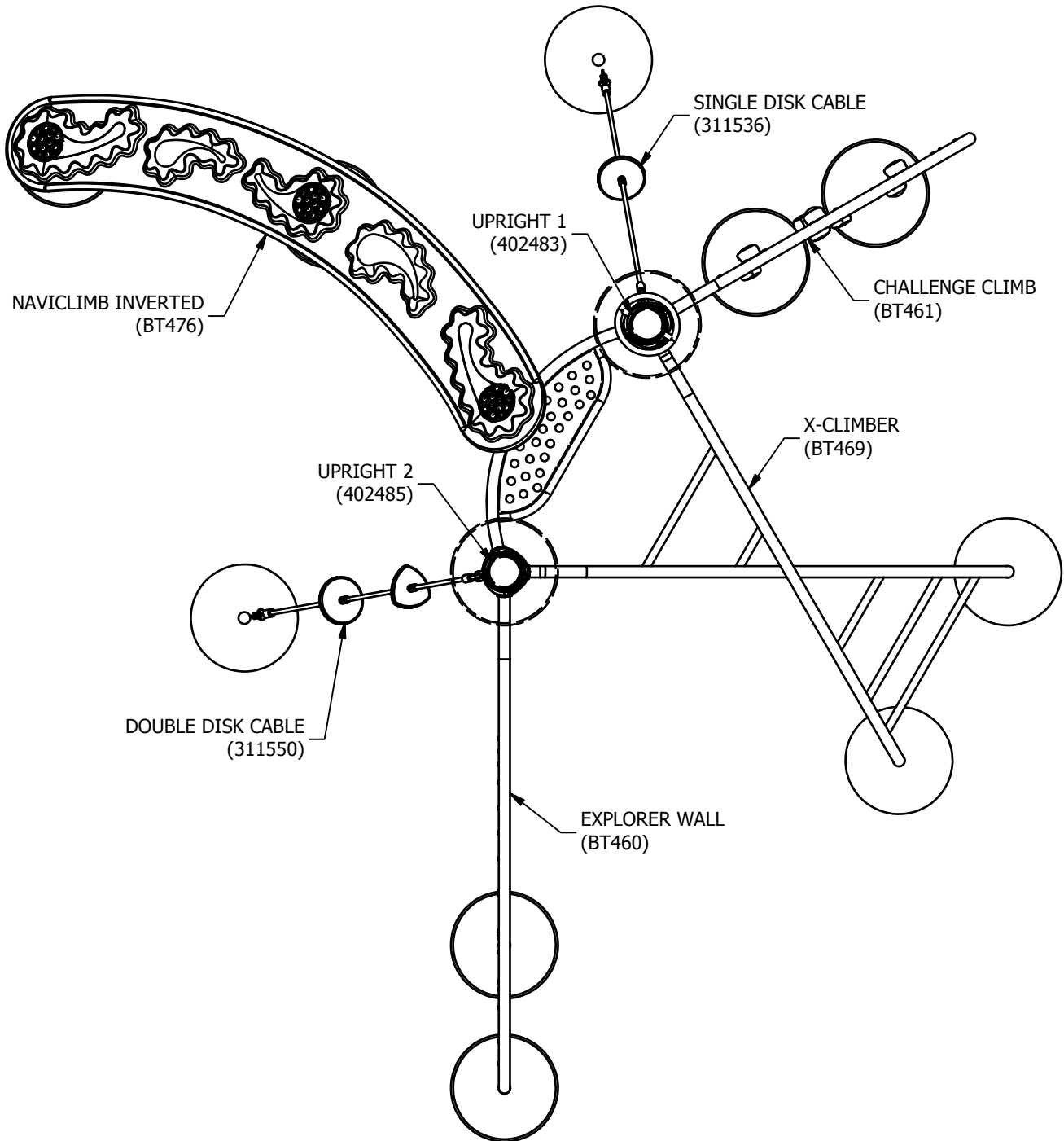
Periodically check hardware for tightness, and tighten as necessary. Always check all parts for breakage or wear, and immediately put equipment out of service until any faulty parts found are repaired or replaced. Also Check all metal parts for rust, paint loss and touch-up if necessary with paint. Check for welded areas and verify integrity. Check periodically resilient surfacing for appropriate depth and remove extraneous materials that could cause injury, infection, or disease. Maintain detailed installation, inspection, maintenance, and repair records for each public-use playground equipment.

BT410 GLOBAL



⬡ = INSTALLATION DETAIL

BT410 GLOBAL

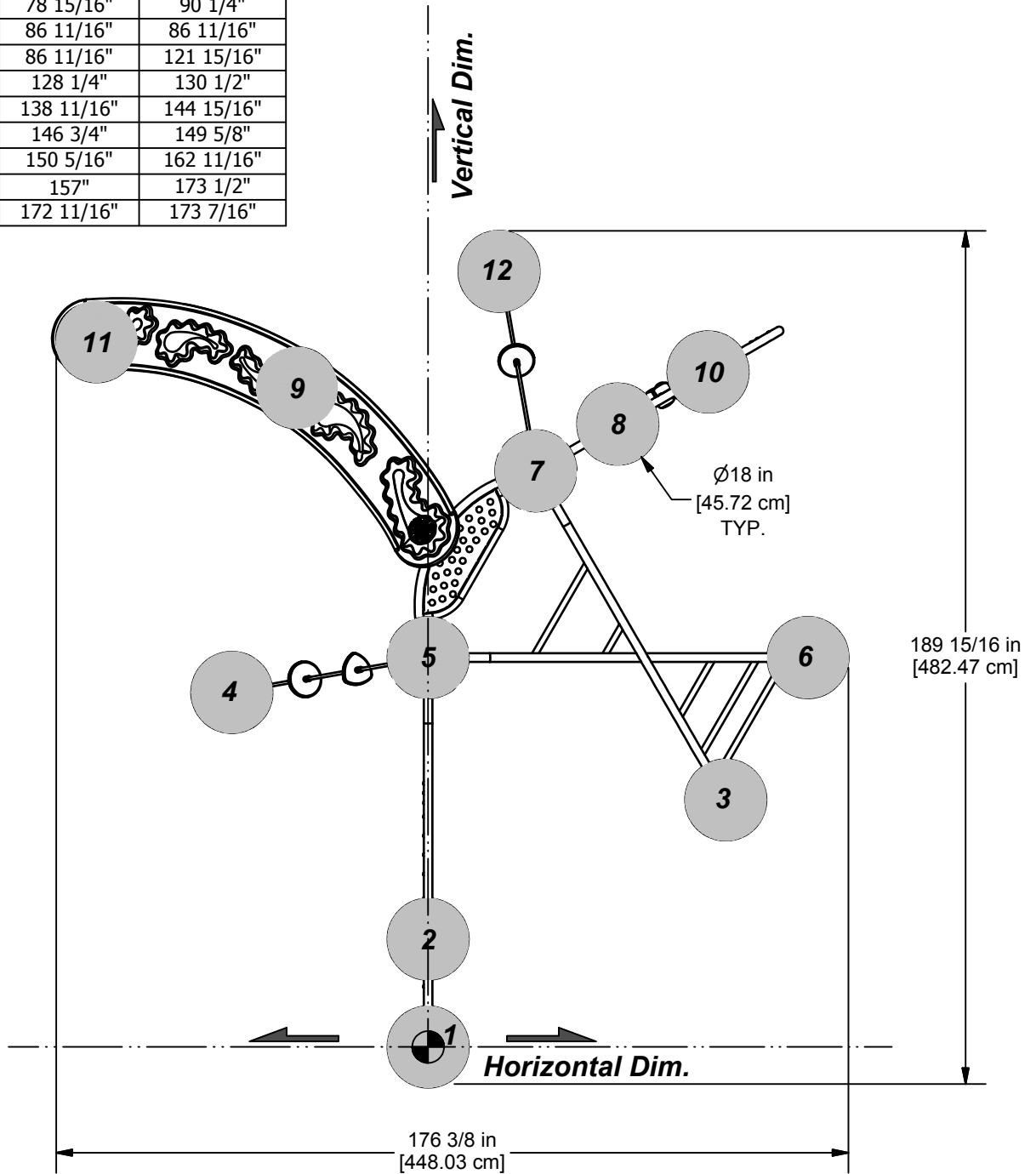


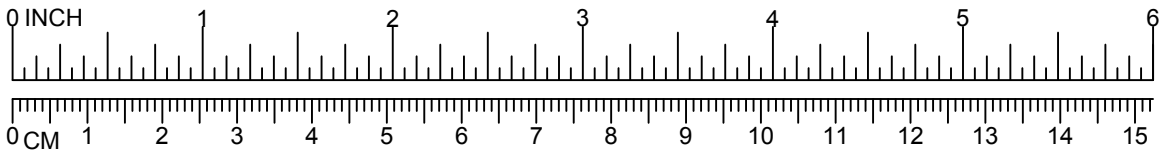
PLAN VIEW

BT410 GLOBAL

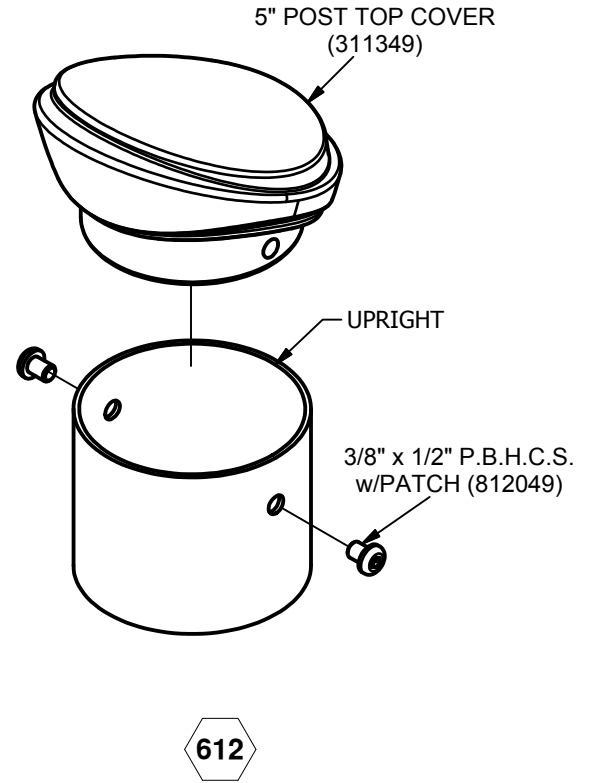
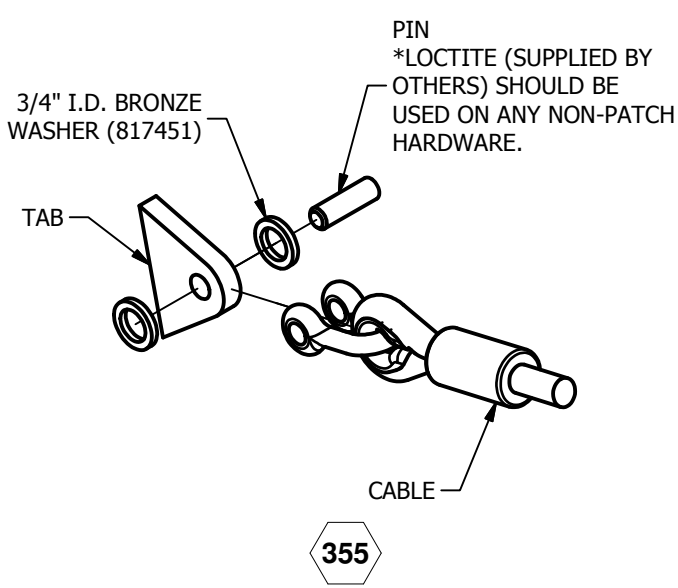
FOOTING TABLE			
Hole No.	Hor. Dim.	Ver. Dim.	Diagonal
1	0	0	0
2	0	24"	24"
3	65 9/16"	55"	86 1/8"
4	43 11/16"	78 15/16"	90 1/4"
5	0	86 11/16"	86 11/16"
6	84 9/16"	86 11/16"	121 15/16"
7	24"	128 1/4"	130 1/2"
8	42 1/4"	138 11/16"	144 15/16"
9	29 1/4"	146 3/4"	149 5/8"
10	62 5/16"	150 5/16"	162 11/16"
11	73 13/16"	157"	173 1/2"
12	15 3/16"	172 11/16"	173 7/16"

GROUND PLAN





BT410 GLOBAL



BT460 EXPLORER WALL

Parts List		
DESCRIPTION	QTY	PART NUMBER
ARCH CLIMBER	1	311380
CLIMBER PANEL	3	311385
HARDWARE COMPLETE	1	311480
SHROUD	2	311350*
3/8" x 3/4" P.B.H.C.S. w/PATCH	18	812052*
3/8" x 5 3/4" HEX HEAD BOLT	2	801051*
3/8" FLAT WASHER	22	817410*
3/8" LOCK NUT	2	804353*
3/8" BARREL NUT	18	804804*
1/4" x 1 1/4" P.B.H.C.S.	4	812083*
1/4" FLAT WASHER (5/8" O.D.)	4	817408*

Unless Otherwise Specified, All Units of Measure are Each

**Items listed below Hardware Complete line are included with Hardware Complete Number*

Warning: During Installation, Hardware And Small Parts Are Choking Hazards For Young Children. Store Unused Parts Appropriately Until Assembly Is Completed. Once Assembly Is Completed, Remove Any Unused Parts From The Play Environment And Dispose/Save Them In A Secure Location. Any bolt end protruding more than two full threads beyond the face of the nut causes risk of clothing entanglement.

Promptly cut-off flush, file smooth, and treat to prevent corrosion.

Note: Peen Tee-Nuts and Flatwashers to match radius of pipe after assembly is complete.

Note: Loctite (supplied by others) should be used on any non-patch hardware.

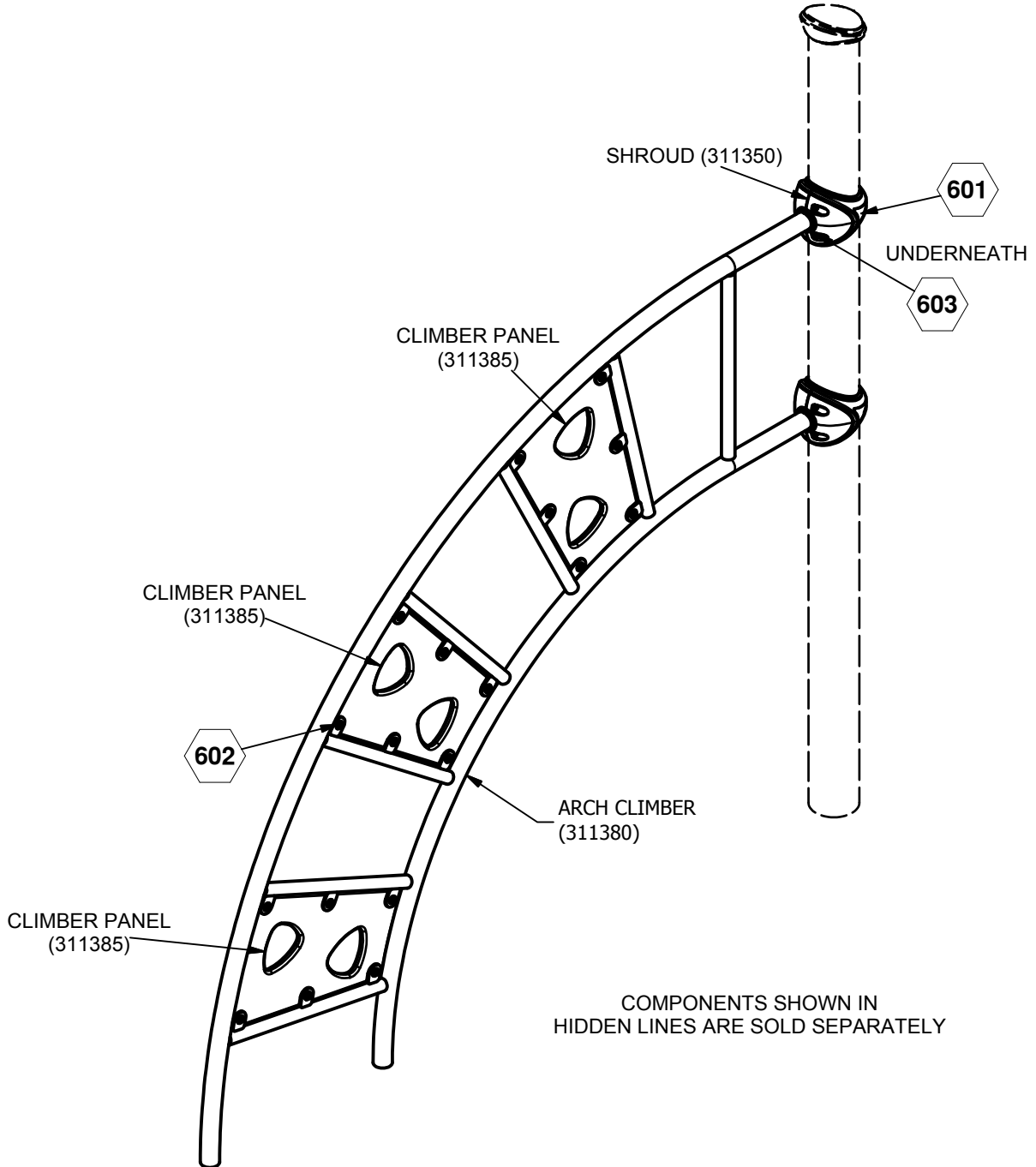
INSTALLATION INSTRUCTIONS:

1. Dig footing holes as shown in Elevation and Plan Views. Refer to Top View for correct Upright and orientation.
2. Attach Arch Climber to Upright using 3/8" x 5 3/4" Hex Head Bolt, 3/8" Flat Washer and 3/8" Lock Nut. See Detail 601.
3. Attach Climber Panel to Arch Climber using 3/8" x 3/4" P.B.H.C.S w/Patch, 3/8" Flat Washer and 3/8" Barrel Nut. See Detail 602.
4. Attach Shroud to Upright using 1/4" x 1 1/4" P.B.H.C.S and 1/4" Flat Washer (5/8" O.D.). See Detail 603.
5. Plumb and level the entire assembly and tighten all fasteners.
6. After entire unit is assembled pour concrete footings within 4" to the top and taper away from post for water drainage. Allow to cure at least 48 hours before use. Temporary bracing may be required until concrete cures.
7. When the structure is finished and satisfactory, eliminate sharp points and sharp edges (burring) on installed hardware like bolts, nuts etc. Install resilient surfacing material within the use zone of play structure in accordance with ASTM specifications F1292 appropriate for the fall height of each structure. Refer to the safety guidelines.

MAINTENANCE PROCEDURE:

Periodically check hardware for tightness, and tighten as necessary. Always check all parts for breakage or wear, and immediately put equipment out of service until any faulty parts found are repaired or replaced. Also Check all metal parts for rust, paint loss and touch-up if necessary with paint. Check for welded areas and verify integrity. Check periodically resilient surfacing for appropriate depth and remove extraneous materials that could cause injury, infection, or disease. Maintain detailed installation, inspection, maintenance, and repair records for each public-use playground equipment.

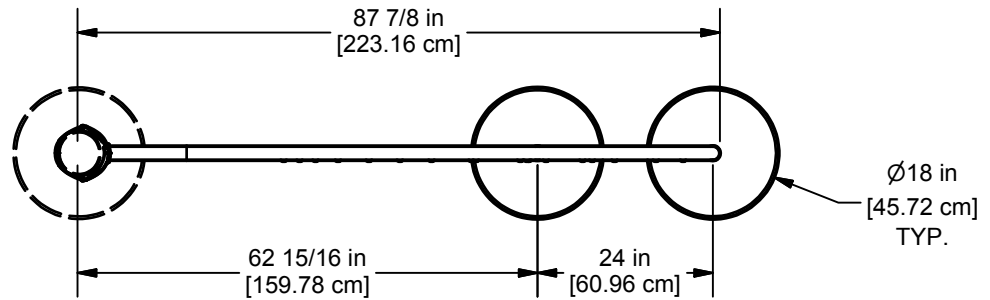
BT460 EXPLORER WALL



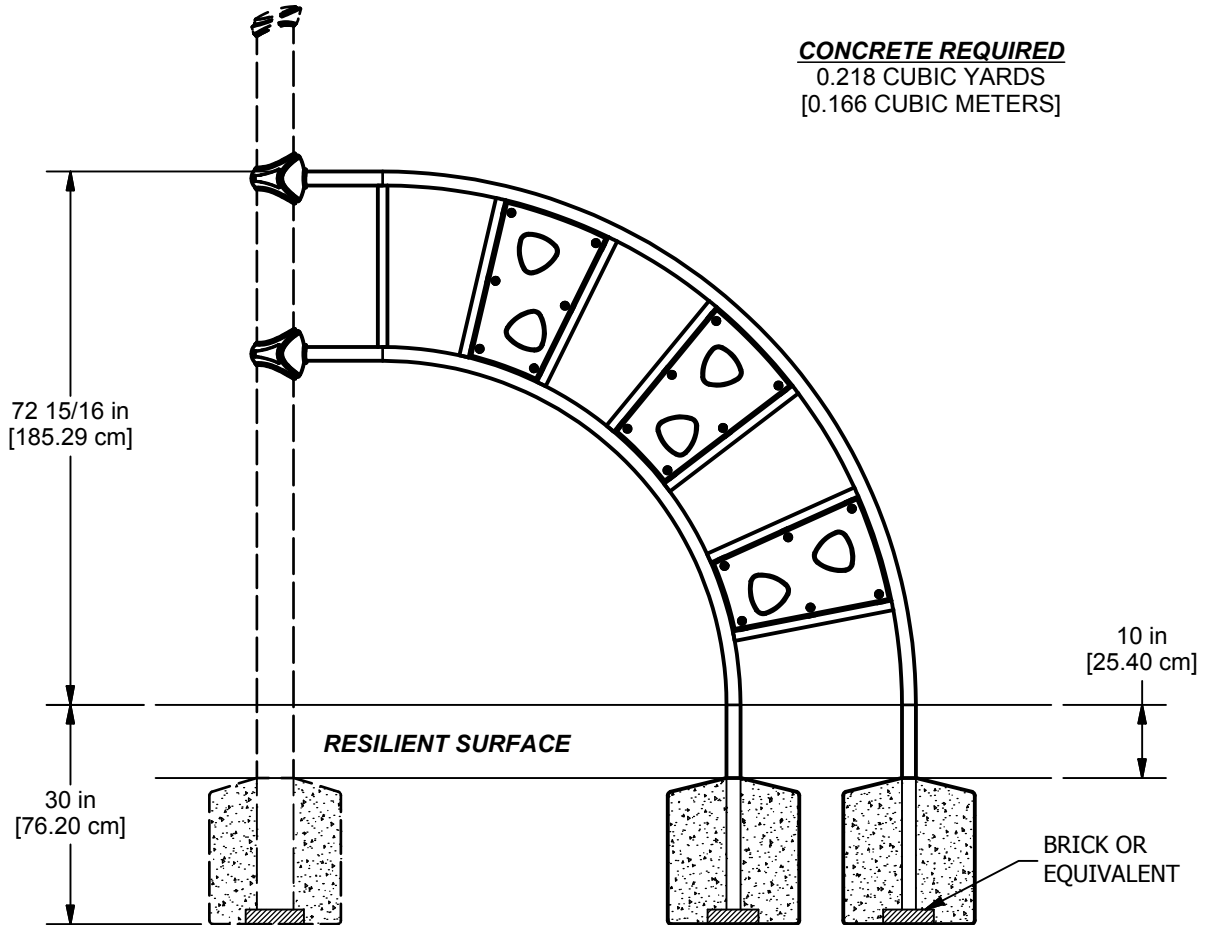
 = INSTALLATION DETAIL

FINISHED ASSEMBLY

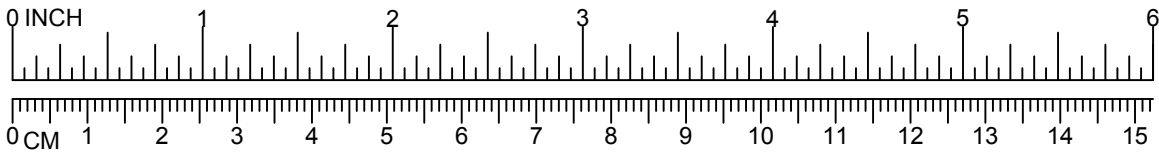
BT460 EXPLORER WALL



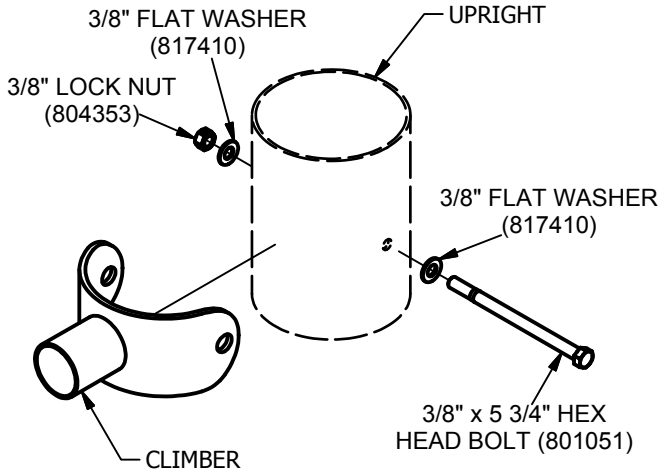
PLAN VIEW



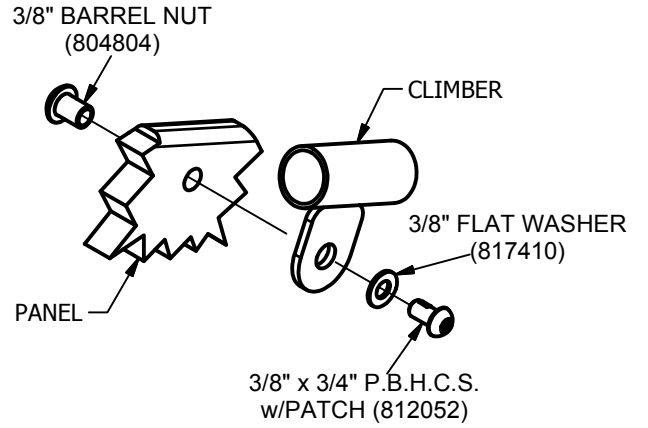
ELEVATION VIEW



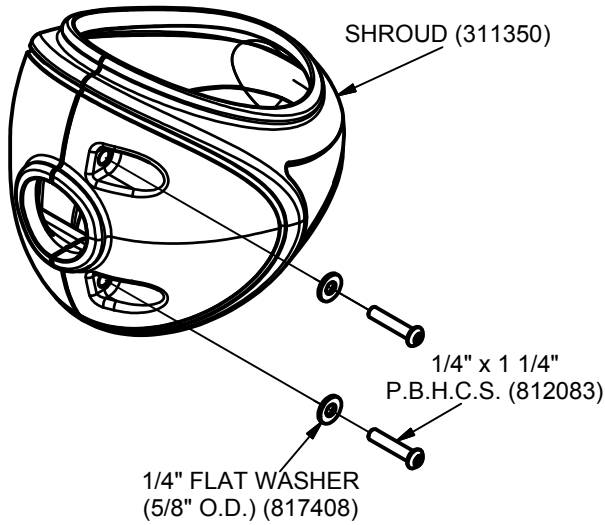
BT460 EXPLORER WALL



601



602



603

BT461 CHALLENGE CLIMB

Parts List		
DESCRIPTION	QTY	PART NUMBER
TOP PIPE	1	311388
BOTTOM PIPE	1	311391
HDPE WALL	1	311393
HARDWARE COMPLETE	1	311519
SHROUD	2	311350*
3/8" x 3/4" P.B.H.C.S. w/PATCH	9	812052*
3/8" x 1 1/2" P.B.H.C.S. w/PATCH	16	812053*
3/8" x 5 3/4" HEX HEAD BOLT	2	801051*
3/8" FLAT WASHER	29	817410*
3/8" BARREL NUT	25	804804*
3/8" LOCK NUT	2	804353*
1/4" x 1 1/4" P.B.H.C.S.	4	812083*
1/4" FLAT WASHER (5/8" O.D.)	4	817408*
HANDHOLD PACKAGE	1	311511*

Unless Otherwise Specified, All Units of Measure are Each

**Items listed below Hardware Complete line are included with Hardware Complete Number*

Warning: During Installation, Hardware And Small Parts Are Choking Hazards For Young Children. Store Unused Parts Appropriately Until Assembly Is Completed. Once Assembly Is Completed, Remove Any Unused Parts From The Play Environment And Dispose/Save Them In A Secure Location. Any bolt end protruding more than two full threads beyond the face of the nut causes risk of clothing entanglement.

Promptly cut-off flush, file smooth, and treat to prevent corrosion.

Note: Peen Tee-Nuts and Flatwashers to match radius of pipe after assembly is complete.

Note: Loctite (supplied by others) should be used on any non-patch hardware.

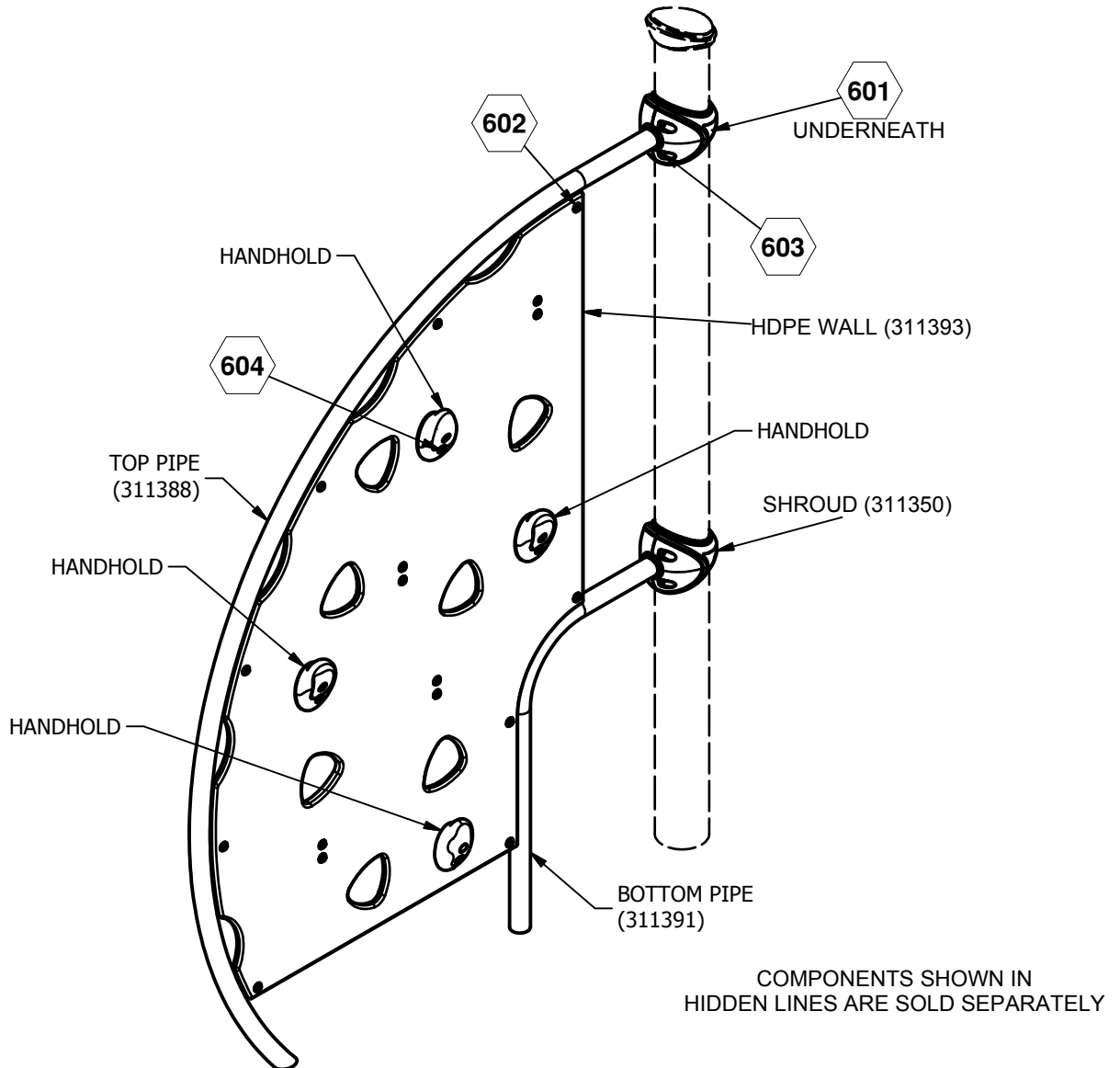
INSTALLATION INSTRUCTIONS:

1. Dig footing holes as shown in Elevation and Plan Views. Refer to Top View for correct Upright and orientation.
2. Attach Top Pipe to HDPE Wall using 3/8" x 3/4" P.B.H.C.S w/Patch, 3/8" Flat Washer, and 3/8" Barrel Nut. See Detail 602.
3. Attach Bottom Pipe to HDPE Wall using 3/8" x 3/4" P.B.H.C.S w/Patch, 3/8" Flat Washer, and 3/8" Barrel Nut. See Detail 602.
4. Attach Top Pipe to Upright using 3/8" x 5 3/4" Hex Head Bolt, 3/8" Flat Washer, and 3/8" Lock Nut. See Detail 601.
5. Attach Bottom Pipe to Upright using 3/8" x 5 3/4" Hex Head Bolt, 3/8" Flat Washer, and 3/8" Lock Nut. See Detail 601.
6. Attach Handholds to HDPE Wall using 3/8" x 1 1/2" P.B.H.C.S w/Patch, 3/8" Flat Washer, and 3/8" Barrel Nut. See Detail 604.
7. Attach Shroud to Upright using 1/4" x 1 1/4" P.B.H.C.S and 1/4" Flat Washer (5/8" O.D.). See Detail 603.
8. Plumb and level the entire assembly and tighten all fasteners.
9. After entire unit is assembled pour concrete footings within 4" to the top and taper away from post for water drainage. Allow to cure at least 48 hours before use. Temporary bracing may be required until concrete cures.
10. When the structure is finished and satisfactory, eliminate sharp points and sharp edges (burring) on installed hardware like bolts, nuts etc. Install resilient surfacing material within the use zone of play structure in accordance with ASTM specifications F1292 appropriate for the fall height of each structure. Refer to the safety guidelines.

BT461 CHALLENGE CLIMB

MAINTENANCE PROCEDURE:

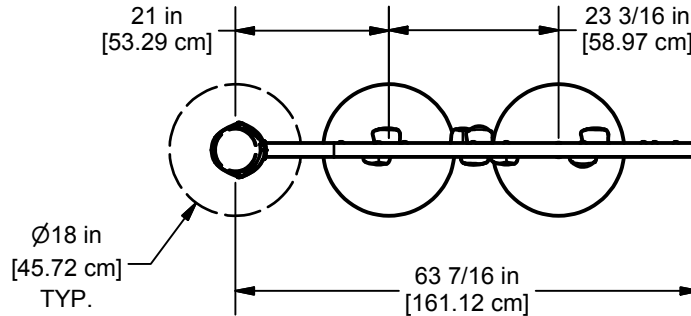
Periodically check hardware for tightness, and tighten as necessary. Always check all parts for breakage or wear, and immediately put equipment out of service until any faulty parts found are repaired or replaced. Also Check all metal parts for rust, paint loss and touch-up if necessary with paint. Check for welded areas and verify integrity. Check periodically resilient surfacing for appropriate depth and remove extraneous materials that could cause injury, infection, or disease. Maintain detailed installation, inspection, maintenance, and repair records for each public-use playground equipment.



 = INSTALLATION DETAIL

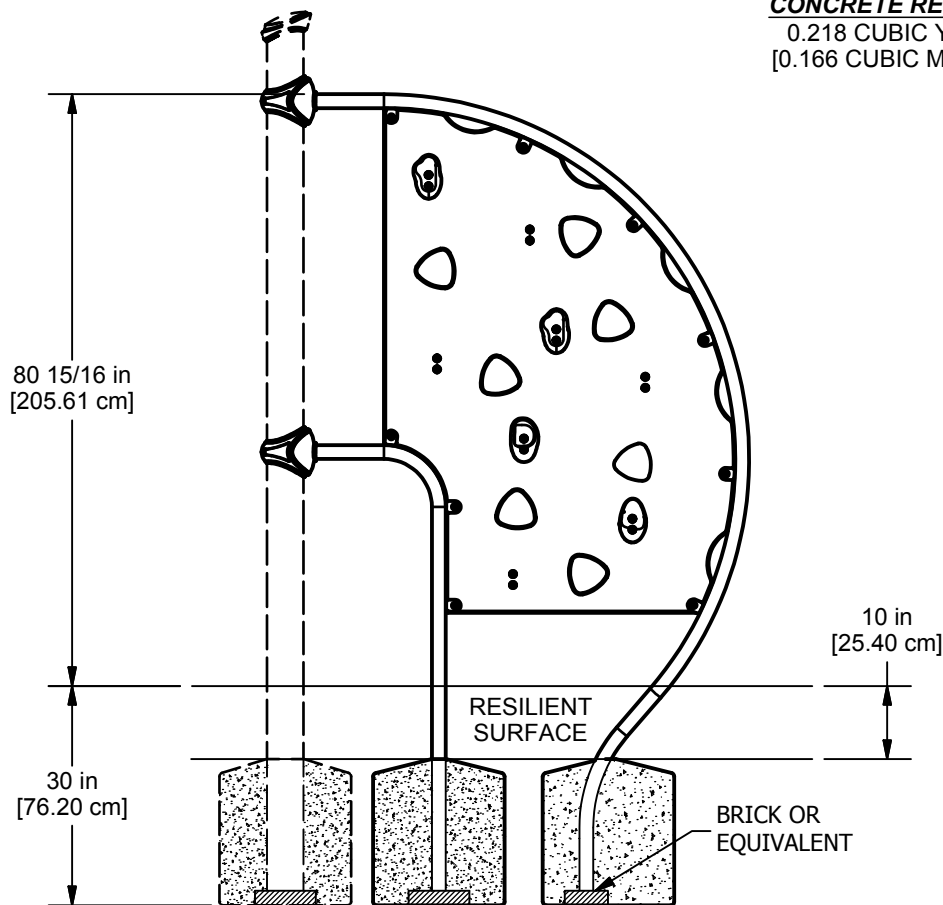
FINISHED ASSEMBLY

BT461 CHALLENGE CLIMB

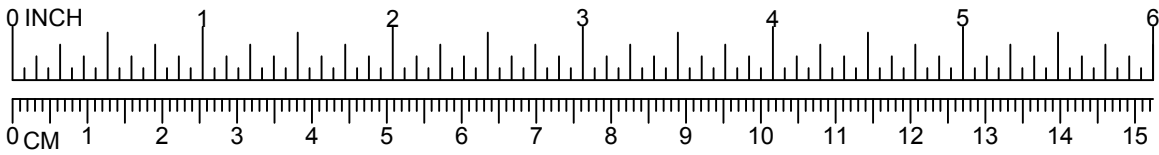


PLAN VIEW

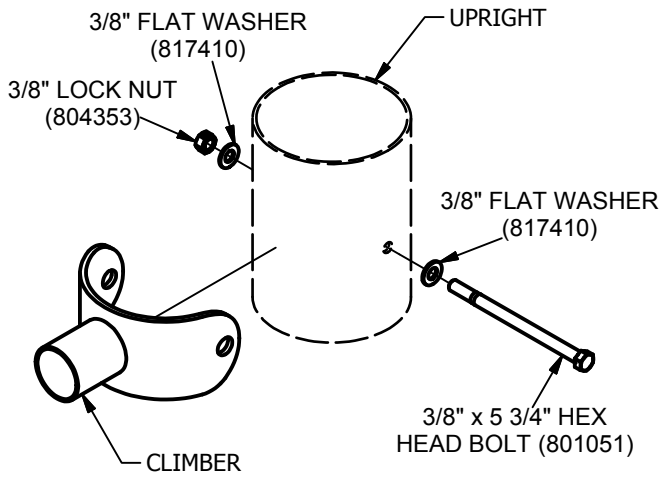
CONCRETE REQUIRED
0.218 CUBIC YARDS
[0.166 CUBIC METERS]



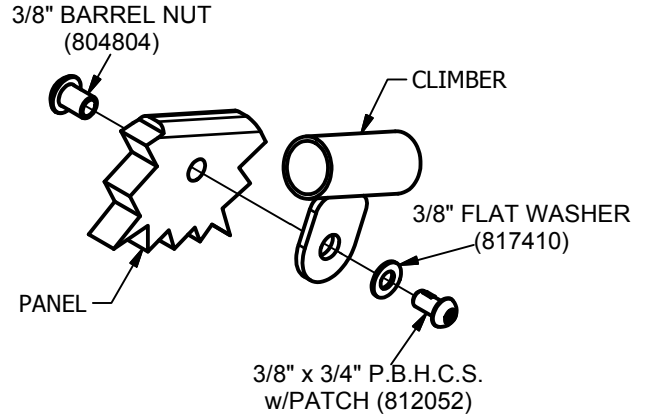
ELEVATION VIEW



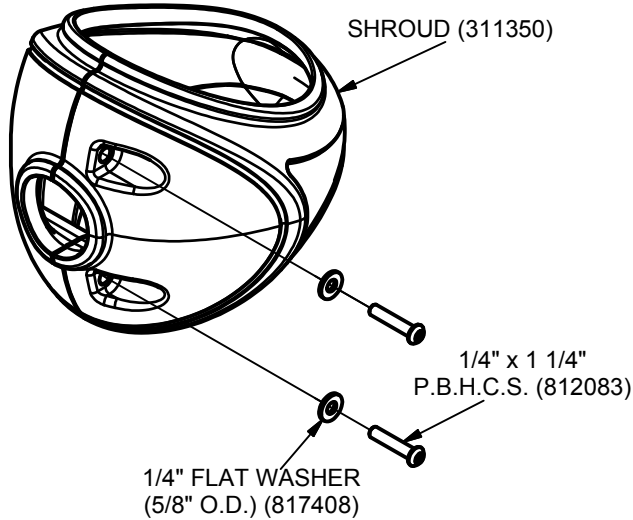
BT461 CHALLENGE CLIMB



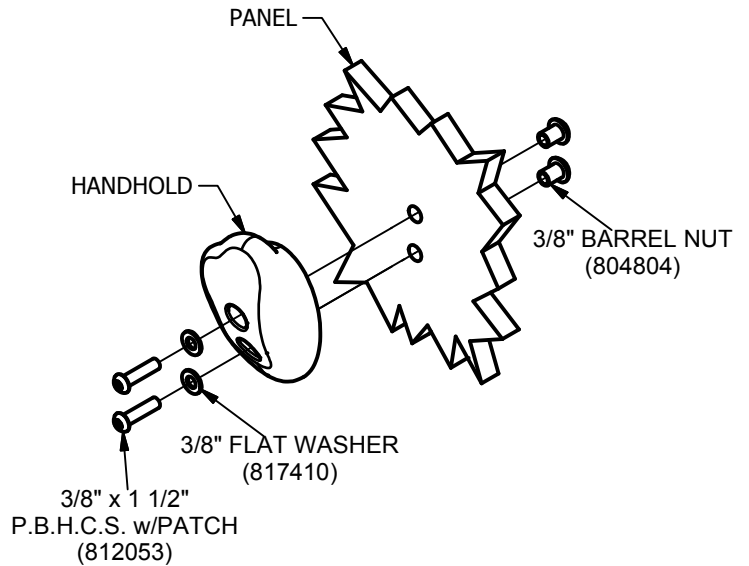
601



602



603



604

BT476 NAVICLIMB INVERTED

Parts List		
DESCRIPTION	QTY	PART NUMBER
MOUNTING PLATE	3	309279
STRATASCEND CLIMBER	1	309292
SUPPORT	1	311414
MIDDLE PIPE	1	311420
BOTTOM PIPE	1	311423
EXTENSION PIPE	3	404351
HARDWARE COMPLETE	1	404361
PLASTIC WASHER	9	304073*
PLASTIC CAP	9	304074*
RUBBER PAD	3	309010*
SHROUD	2	311350*
1/4" x 1 1/4" P.B.H.C.S.	4	812083*
1/4" FLAT WASHER (5/8" O.D.)	4	817408*
3/8" x 1" P.B.H.C.S. w/PATCH	3	812050*
3/8" x 1 3/4" P.B.H.C.S. w/PATCH	9	812054*
3/8" x 2 1/4" P.B.H.C.S. w/PATCH	3	812056*
3/8" x 5 3/4" HEX HEAD BOLT	2	801051*
3/8" FLAT WASHER	19	817410*
3/8" LOCK NUT	2	804353*
3/8" BARREL NUT	3	804804*

Unless Otherwise Specified, All Units of Measure are Each

**Items listed below Hardware Complete line are included with Hardware Complete Number*

Warning: During Installation, Hardware And Small Parts Are Choking Hazards For Young Children. Store Unused Parts Appropriately Until Assembly Is Completed. Once Assembly Is Completed, Remove Any Unused Parts From The Play Environment And Dispose/Save Them In A Secure Location. Any bolt end protruding more than two full threads beyond the face of the nut causes risk of clothing entanglement.

Promptly cut-off flush, file smooth, and treat to prevent corrosion.

Note: Peen Tee-Nuts and Flatwashers to match radius of pipe after assembly is complete.

Note: Loctite (supplied by others) should be used on any non-patch hardware.

INSTALLATION INSTRUCTIONS:

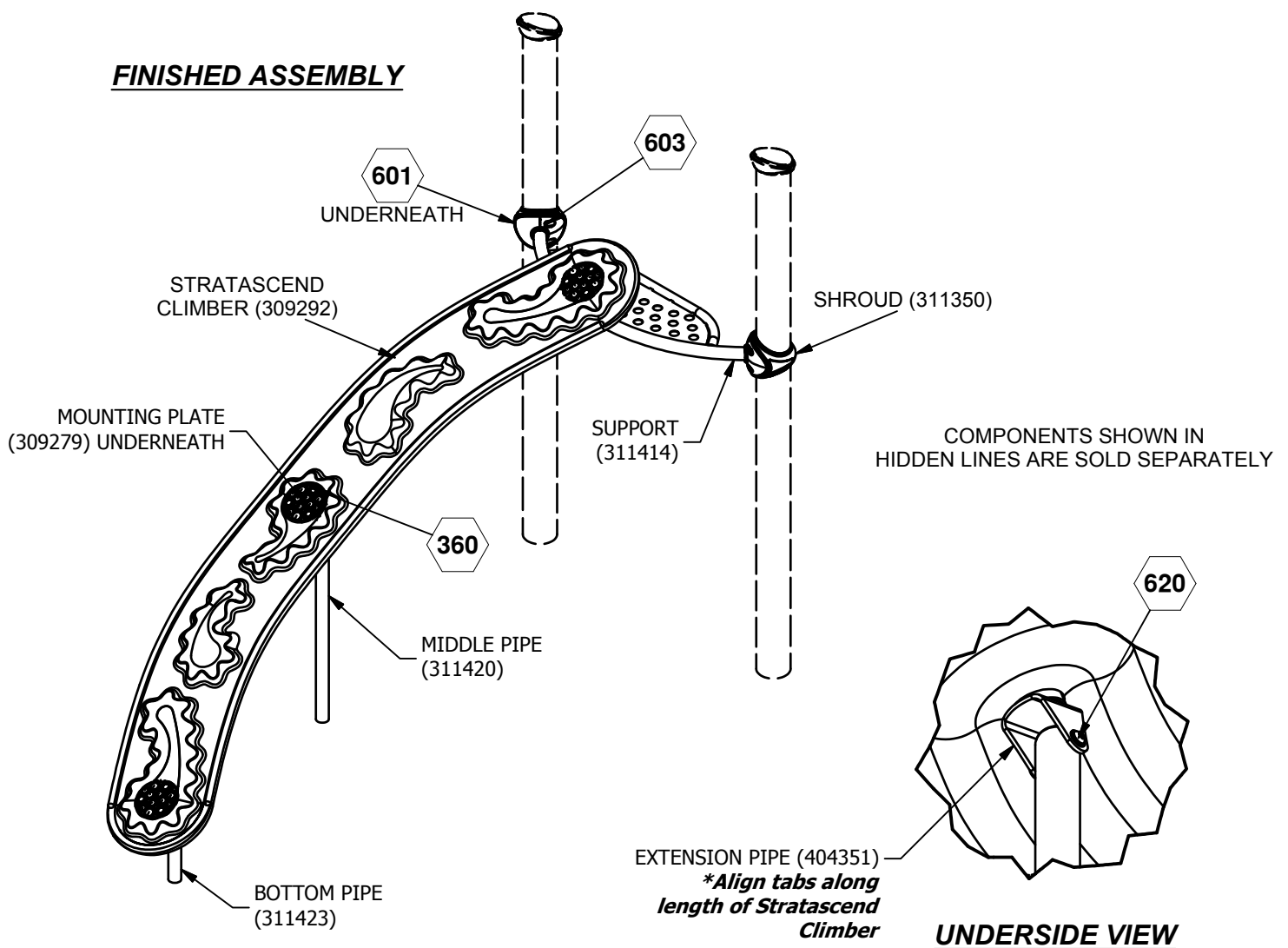
1. Dig footing holes as shown in Elevation and Plan Views. Refer to Top View for correct Upright and orientation.
2. Attach Support to Upright using 3/8" x 5 3/4" Hex Head Bolt, 3/8" Flat Washer, and 3/8" Lock Nut. See Detail 601.
3. Attach the Extension Pipe to Mounting Plate using 3/8" x 1" P.B.H.C.S. w/Patch, and 3/8" Flat Washer. See Detail 360. **Note:** Tabs on Extension Pipe must be aligned in the same direction along the length of the Stratascend Climber.
4. Attach Rubber Pad to Mounting Plate using Plastic Cap, 3/8" x 1 3/4" P.B.H.C.S. w/Patch, 3/8" Flat Washer and Plastic Washer. See Detail 360.
5. Attach Stratascend Climber to Support, Middle Pipe and Bottom Pipe using 3/8" x 2 1/4" P.B.H.C.S. w/Patch, 3/8" Flat Washer and 3/8" Barrel Nut. See Detail 620.
6. Attach Shroud to Upright using 1/4" x 1 1/4" P.B.H.C.S and 1/4" Flat Washer (5/8" O.D.). See Detail 603.
7. Plumb and level the entire assembly and tighten all fasteners.
8. After entire unit is assembled pour concrete footings within 4" to the top and taper away from post for water drainage. Allow to cure at least 48 hours before use. Temporary bracing may be required until concrete cures.

BT476 NAVICLIMB INVERTED

9. When the structure is finished and satisfactory, eliminate sharp points and sharp edges (burring) on installed hardware like bolts, nuts etc. Install resilient surfacing material within the use zone of play structure in accordance with ASTM specifications F1292 appropriate for the fall height of each structure. Refer to the safety guidelines.

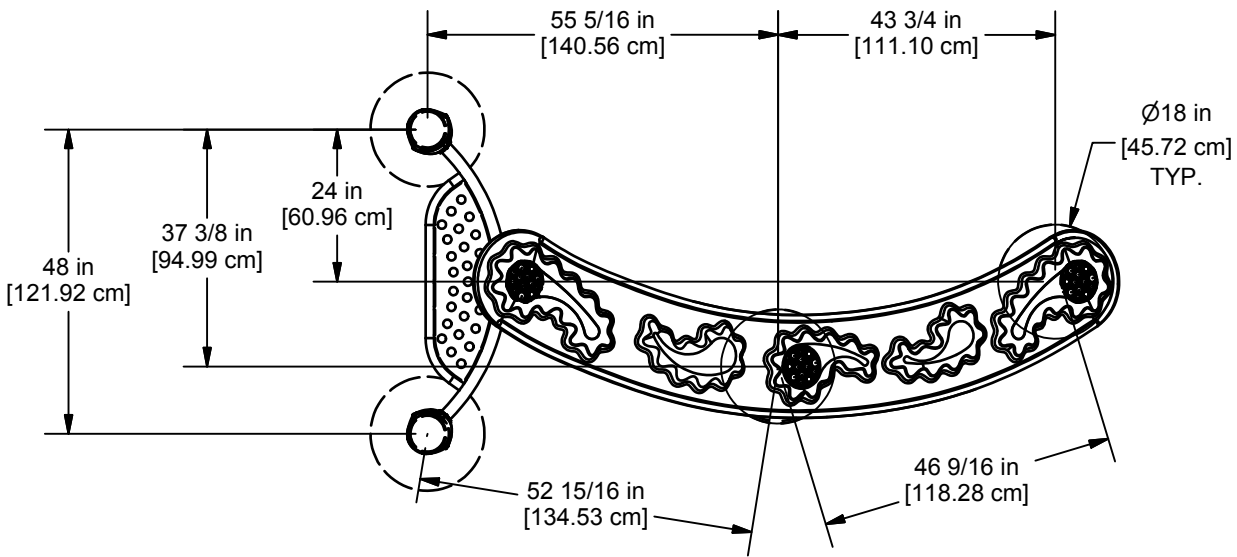
MAINTENANCE PROCEDURE:

Periodically check hardware for tightness, and tighten as necessary. Always check all parts for breakage or wear, and immediately put equipment out of service until any faulty parts found are repaired or replaced. Also Check all metal parts for rust, paint loss and touch-up if necessary with paint. Check for welded areas and verify integrity. Check periodically resilient surfacing for appropriate depth and remove extraneous materials that could cause injury, infection, or disease. Maintain detailed installation, inspection, maintenance, and repair records for each public-use playground equipment.



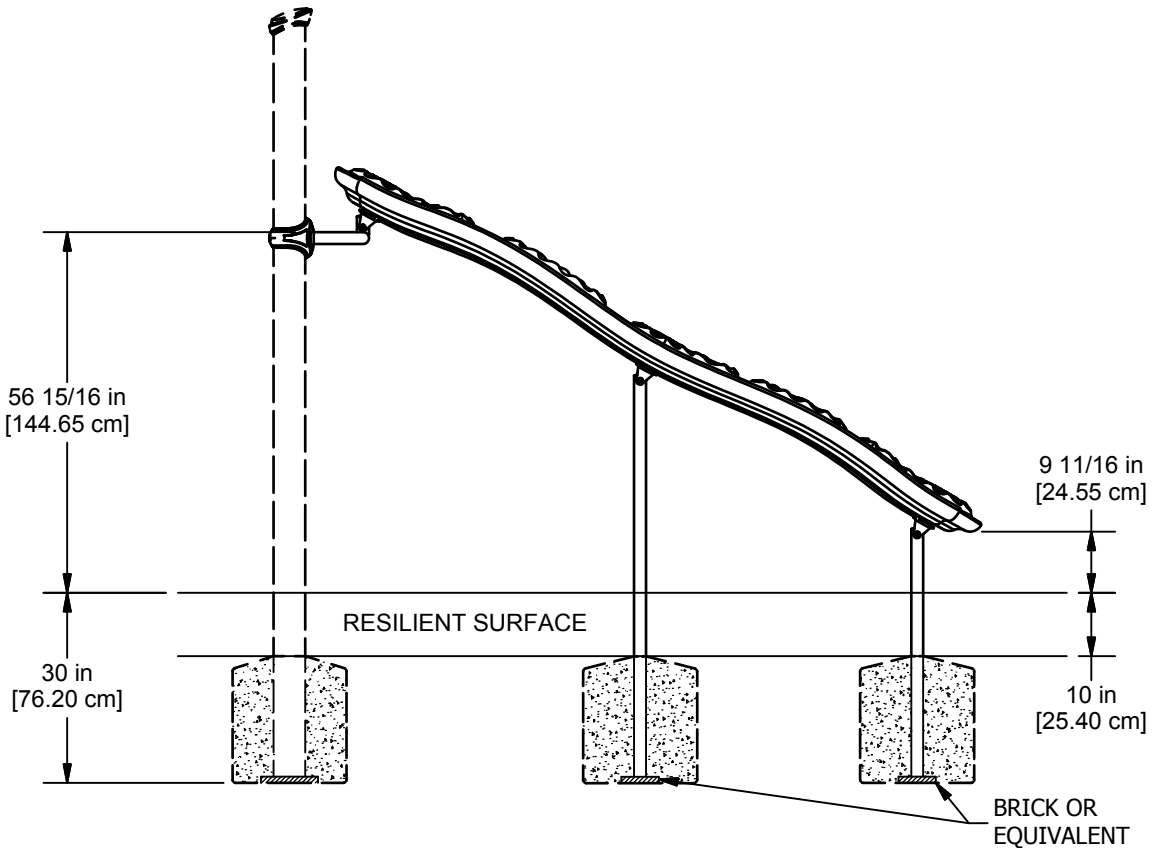
⬡ = INSTALLATION DETAIL

BT476 NAVICLIMB INVERTED

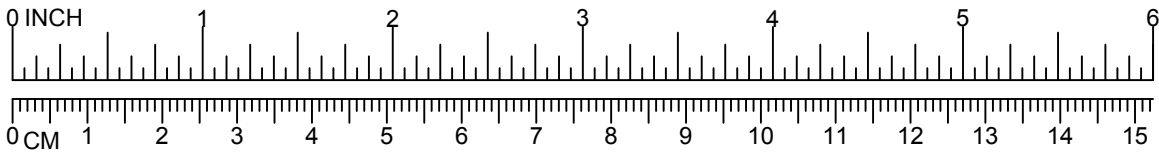


PLAN VIEW

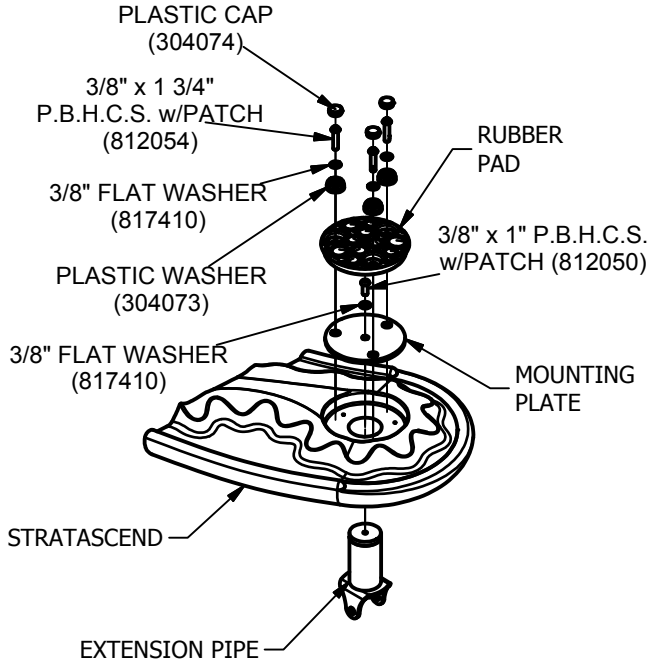
CONCRETE REQUIRED
0.218 CUBIC YARDS
0.166 [CUBIC METERS]



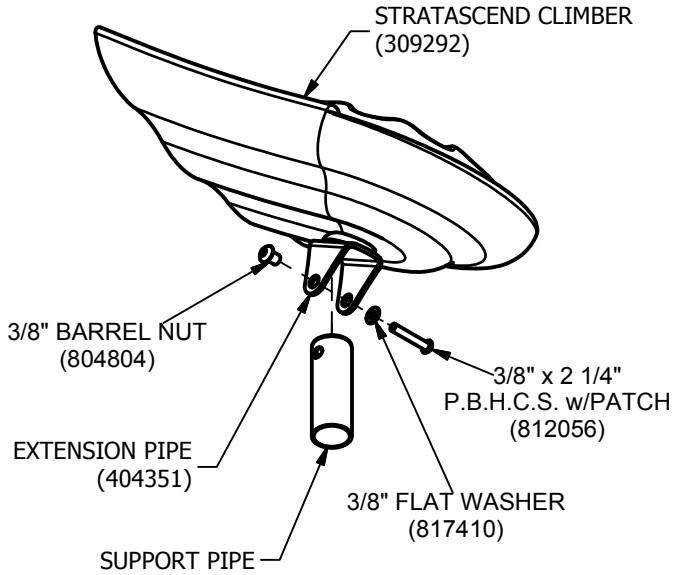
ELEVATION VIEW



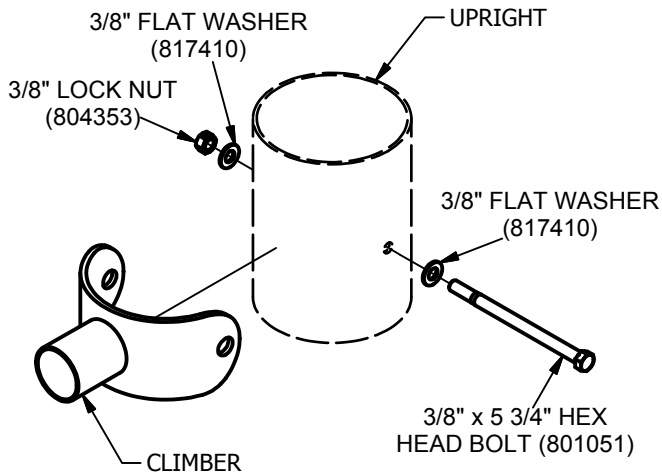
BT476 NAVICLIMB INVERTED



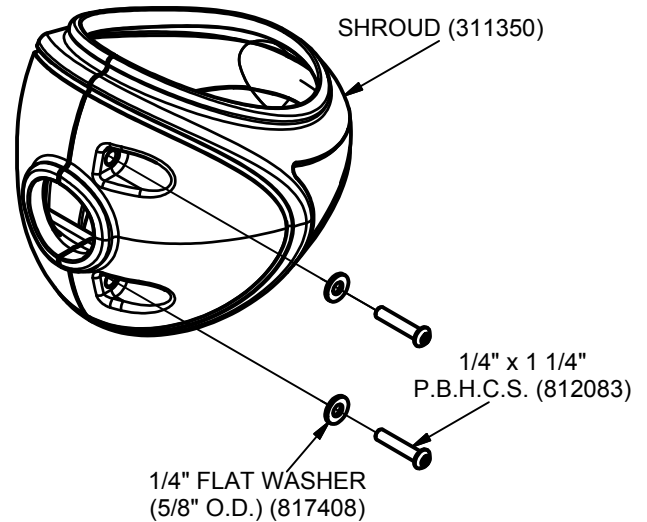
360



620



601



603

BT469 X-CLIMBER

Parts List		
DESCRIPTION	QTY	PART NUMBER
CROSS CLIMBER	1	311564
HARDWARE COMPLETE	1	311566
SHROUD	2	311350*
3/8" x 5 3/4" HEX HEAD BOLT	2	801051*
3/8" FLAT WASHER	4	817410*
3/8" LOCK NUT	2	804353*
1/4" x 1 1/4" P.B.H.C.S.	4	812083*
1/4" FLAT WASHER (5/8" O.D.)	4	817408*

Unless Otherwise Specified, All Units of Measure are Each

Items listed below Hardware Complete line are included with Hardware Complete Number

Warning: During Installation, Hardware And Small Parts Are Choking Hazards For Young Children. Store Unused Parts Appropriately Until Assembly Is Completed. Once Assembly Is Completed, Remove Any Unused Parts From The Play Environment And Dispose/Save Them In A Secure Location. Any bolt end protruding more than two full threads beyond the face of the nut causes risk of clothing entanglement.

Promptly cut-off flush, file smooth, and treat to prevent corrosion.

Note: Peen Tee-Nuts and Flatwashers to match radius of pipe after assembly is complete.

Note: Loctite (supplied by others) should be used on any non-patch hardware.

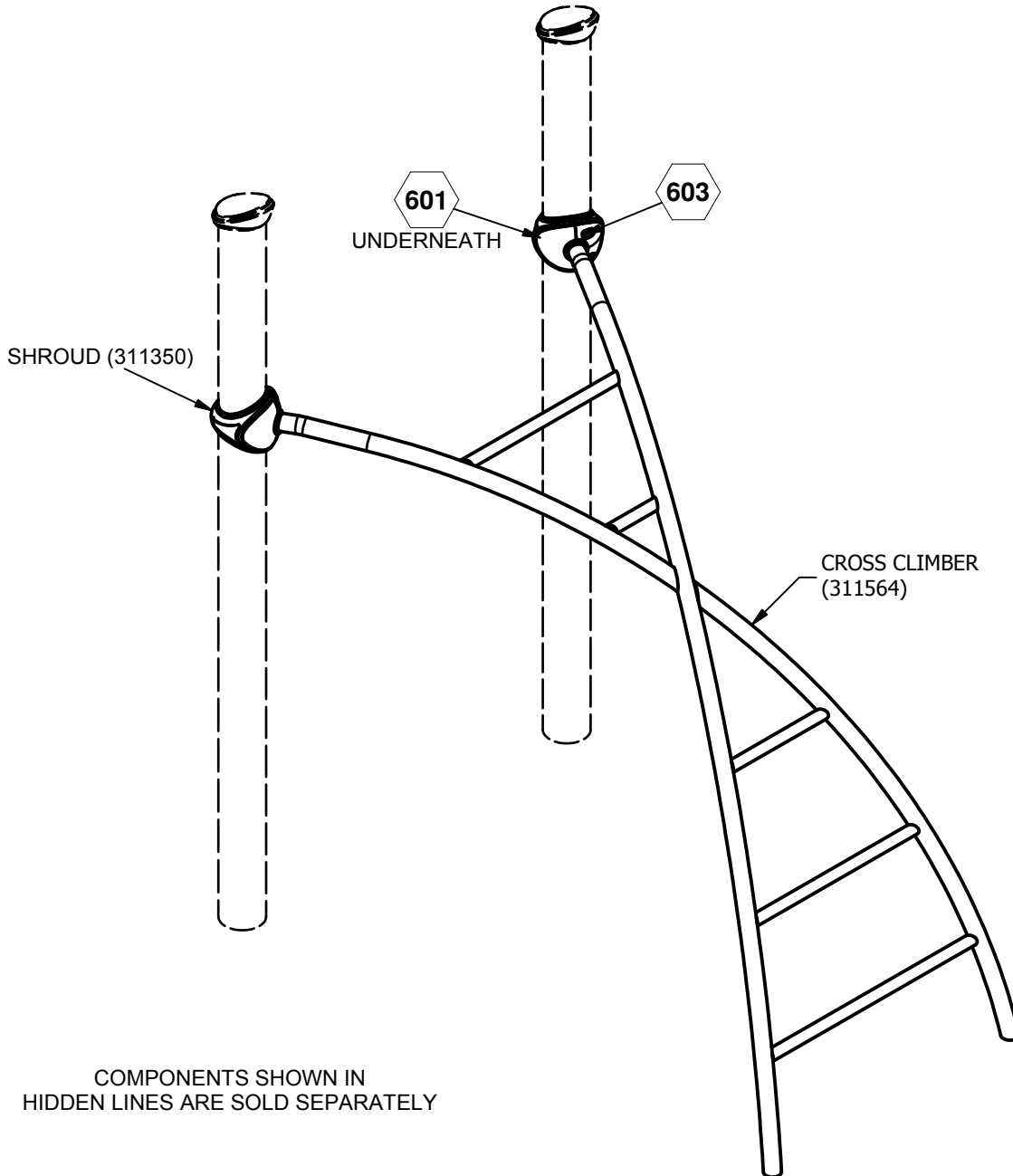
INSTALLATION INSTRUCTIONS:

1. Dig footing holes as shown in Elevation and Plan Views. Refer to Top View for correct Upright and orientation.
2. Attach Cross Climber to Upright using 3/8" x 5 3/4" Hex Head Bolt, 3/8" Flat Washer, and 3/8" Lock Nut. See Detail 601.
3. Attach Shroud to Uprights using 1/4" x 1 1/4" P.B.H.C.S and 1/4" Flat Washer (5/8" O.D.). See Detail 603.
4. Plumb and level the entire assembly and tighten all fasteners.
5. After entire unit is assembled pour concrete footings within 4" to the top and taper away from post for water drainage. Allow to cure at least 48 hours before use. Temporary bracing may be required until concrete cures.
6. When the structure is finished and satisfactory, eliminate sharp points and sharp edges (burring) on installed hardware like bolts, nuts etc. Install resilient surfacing material within the use zone of play structure in accordance with ASTM specifications F1292 appropriate for the fall height of each structure. Refer to the safety guidelines.

MAINTENANCE PROCEDURE:

Periodically check hardware for tightness, and tighten as necessary. Always check all parts for breakage or wear, and immediately put equipment out of service until any faulty parts found are repaired or replaced. Also Check all metal parts for rust, paint loss and touch-up if necessary with paint. Check for welded areas and verify integrity. Check periodically resilient surfacing for appropriate depth and remove extraneous materials that could cause injury, infection, or disease. Maintain detailed installation, inspection, maintenance, and repair records for each public-use playground equipment.

BT469 X-CLIMBER

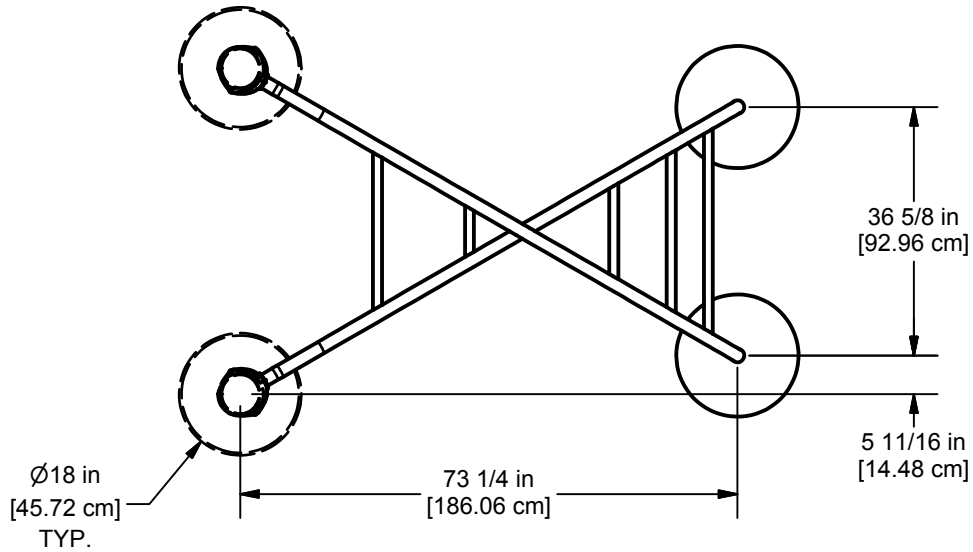


COMPONENTS SHOWN IN
HIDDEN LINES ARE SOLD SEPARATELY

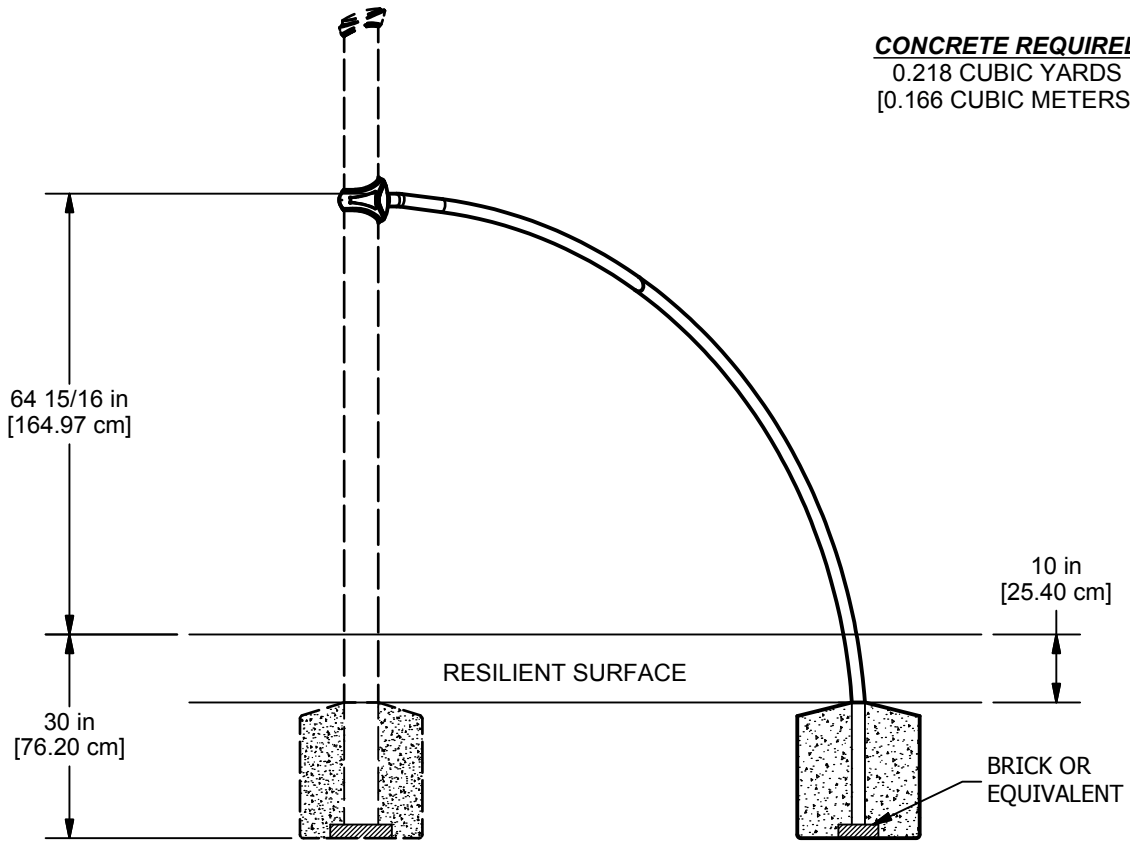
FINISHED ASSEMBLY

 = INSTALLATION DETAIL

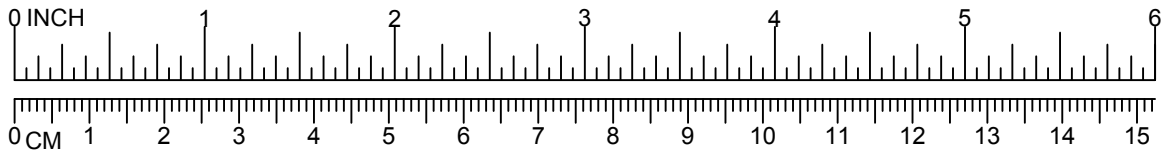
BT469 X-CLIMBER



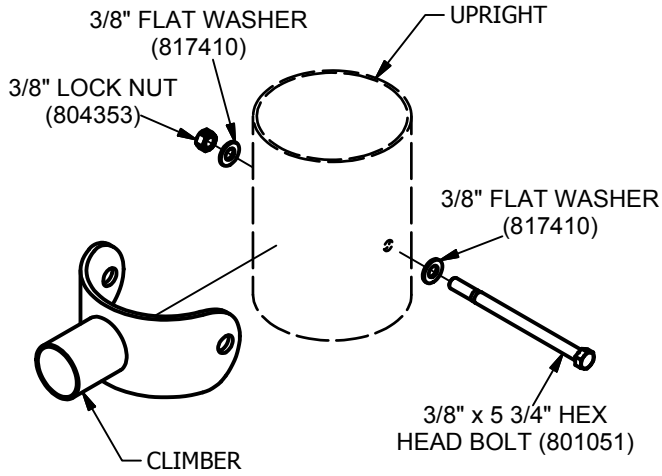
PLAN VIEW



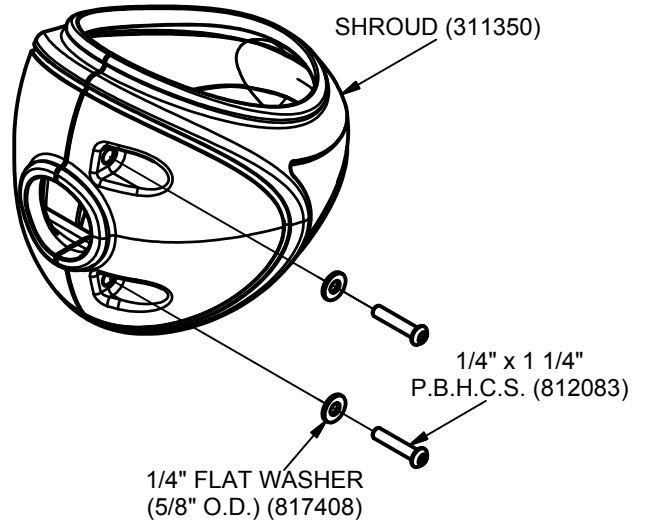
ELEVATION VIEW



BT469 X-CLIMBER



601



603