

## MEC416 GARDEN BRIDGE

Parts List		
DESCRIPTION	QTY	PART NUMBER
ENDCAP BOARD	2	404845
END DECK BOARD	2	404846
THICK DECK BOARD	10	404847
THIN DECK BOARD	1	404848
RIGHT UPRIGHT	2	404849
LEFT UPRIGHT	2	405087
GUIDERAIL ASS'Y	2	405091
DECK SUPPORT ASS'Y	3	405092
GUIDERAIL ACCENT	2	405093
<b>---HARDWARE COMPLETE---</b>	1	404858
#10 x 3" WOOD SCREW	16	815511*
3/8" x 1 1/2" P.B.H.C.S. w/PATCH	6	812053*
3/8" x 2 1/4" P.B.H.C.S. w/PATCH	6	812056*
3/8" x 2 3/4" P.B.H.C.S. w/PATCH	39	812058*
3/8" x 3 3/4" P.B.H.C.S. w/PATCH	4	812076*
3/8" x 4" P.B.H.C.S. w/PATCH	4	812082*
3/8" FLAT WASHER	59	817410*
3/8" LOCKWASHER	59	817334*
3/8" BARREL NUT	53	804804*

*Unless Otherwise Specified, All Units of Measure are Each  
Items listed below Hardware Complete line are included with Hardware Complete Number*

**Warning: During Installation, Hardware And Small Parts Are Choking Hazards For Young Children. Store Unused Parts Appropriately Until Assembly Is Completed. Once Assembly Is Completed, Remove Any Unused Parts From The Play Environment And Dispose/Save Them In A Secure Location. Any bolt end protruding more than two full threads beyond the face of the nut causes risk of clothing entanglement. Promptly cut-off flush, file smooth, and treat to prevent corrosion.**

**Note: Peen Tee-Nuts and Flatwashers to match radius of pipe after assembly is complete.  
Note: Loctite (supplied by others) should be used on any non-patch hardware.**

### **SPECIFICATIONS:**

#### **End Cap Board, End Deck Board, Thick Deck Board, Thin Deck Board, and Left and Right Upright:**

Shall be fabricated from 5/4" x 4", 5/4" x 6", and 2" x 6" Nominal HDPE UV-inhibited Plastic Lumber. Density/L.F.:.061.

#### **Guiderail Ass'y:**

Shall be an all welded construction fabricated from 11ga. 1" x 2" rectangular hot rolled black steel tubing and a 1/4" x 2" hot rolled p&o flat steel plate. The Handrail Ass'y shall be coated after fabrication with a custom formula of TGIC polyester powder coating in conformance with the specifications outlined herein.

#### **Deck Support Ass'y:**

Shall be an all welded construction fabricated from 2" sq. galvanized 11ga. tubing, ASTM A-500, 50,000 # min. yield, 55,000 # min. tensile and a 1/4" x 2" hot rolled p&o flat steel plate.

#### **Guiderail Accent:**

Shall be fabricated from precision cut from a single solid sheet of .750" thick UV-stabilized extruded high-density polyethylene with colors molded in. The material will have a density of 60lbs/ft<sup>3</sup> and a tensile strength of 4400 PSI (30Mpa) as determined per procedure C of ASTM D1928. All edges shall have radiuses and all corners rounded for safe play.



## MEC416 GARDEN BRIDGE

### **Hardware:**

All nuts, bolts, screws, inserts, and lock washers used in the assembly of all play equipment shall be stainless steel, yellow dichromate plated steel, blue-coat plated steel, mechanically galvanized or powder coated/yellow dichromate plated steel. All primary fasteners shall be 304 alloy stainless steel. Fasteners with yellow dichromate treatment have an electro-deposited, 99.9% pure zinc substrate applied from a specially formulated solution sealed with a yellow dichromate top coat designed to work in conjunction with the zinc plating. Yellow dichromate has a 320% longer life to white corrosion and 275% longer to red corrosion than does hot-dip galvanizing. Stainless steel fasteners shall be button pin-in head, hex socket cap screws with a two-part epoxy locking patch added to the threads. The two-part locking patch shall consist of one part resin and one part catalyst which are activated during installation. After curing, the material shall require a minimum of five times the installation torque to remove the fastener. Manufacturer shall provide special installation tools for pinned fasteners.

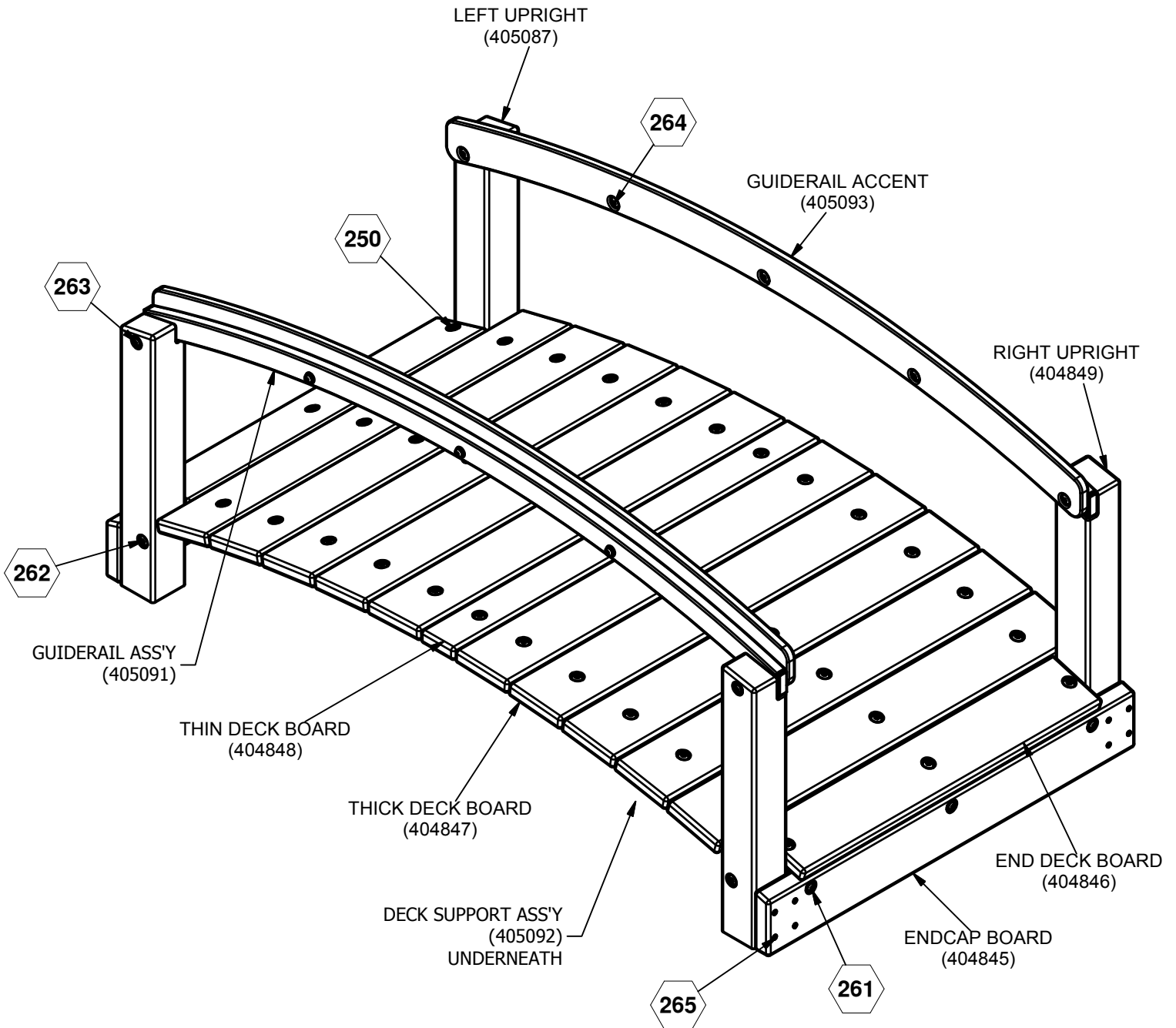
### **INSTALLATION INSTRUCTIONS:**

1. Dig holes according to the Plan View. See Plan View for dimensions and notes regarding surfacing, etc. **NOTE:** *Due to extremes in weather and soil conditions, hole sizes may have to be increased to meet local conditions.*
2. Attach Upright to Deck Support Ass'y using 3/8 x 4" P.B.H.C.S. w/Patch, 3/8" Lock Washer, 3/8" Flat Washer, and 3/8" Barrel Nut. See Detail 262.
3. Attach Endcap Board to Deck Support Ass'y using 3/8" x 2 1/4" P.B.H.C.S. w/Patch, 3/8" Lock Washer, and 3/8" Flat Washer. See Detail 261.
4. Attach the middle Deck Support Ass'y to Endcap Board using 3/8" x 2 1/4" P.B.H.C.S. w/Patch, 3/8" Lock Washer, and 3/8" Flat Washer. See Detail 261.
5. Attach Endcap Board to Uprights using #10 x 3" Wood Screws. See Detail 265. **NOTE:** Make sure sides and bottom of Endcap Board is flush with side and bottom of Upright.
6. Attach Guiderail Ass'y and Guiderail Accent to Upright using 3/8" x 3 3/4" P.B.H.C.S. w/Patch, 3/8" Lock Washer, 3/8" Flat Washer, and 3/8" Barrel Nut. See Detail 263.
7. Attach Guiderail Accent to Guiderail Ass'y using 3/8" x 1 1/2" P.B.H.C.S. w/Patch, 3/8" Lock Washer, 3/8" Flat Washer, and 3/8" Barrel Nut. See Detail 263.
8. Attach End Deck Boards, Thick Deck Boards, and Thin Deck Board to the Deck Support Ass'y using 3/8" x 3" P.B.H.C.S. w/Patch, 3/8" Lock Washer, 3/8" Flat Washer, and 3/8" Barrel Nut. See Detail 250.
9. Plumb and level the entire assembly and tighten all fasteners.
10. After entire unit is assembled, pour concrete footings within 4" to the top and taper away from post for water drainage. Allow to cure at least 48 hours before use. Temporary bracing may be required until concrete cures.
11. Check that all hardware connections are securely tightened. Smooth away any sharp edges that may have been created during handling and assembly. Install resilient surfacing within the use zone of play structure in accordance with ASTM specifications F1292, and appropriate for the fall height of each structure. Refer to all applicable safety guidelines.

### **MAINTENANCE PROCEDURE:**

Periodically check hardware for tightness, and tighten as necessary. Always check all parts for breakage or wear, and immediately put equipment out of service until any faulty parts found are repaired or replaced. Also Check all metal parts for rust, paint loss and touch-up if necessary with paint. Check for welded areas and verify integrity. Check periodically resilient surfacing for appropriate depth and remove extraneous materials that could cause injury, infection, or disease. Maintain detailed installation, inspection, maintenance, and repair records for each public-use playground equipment.

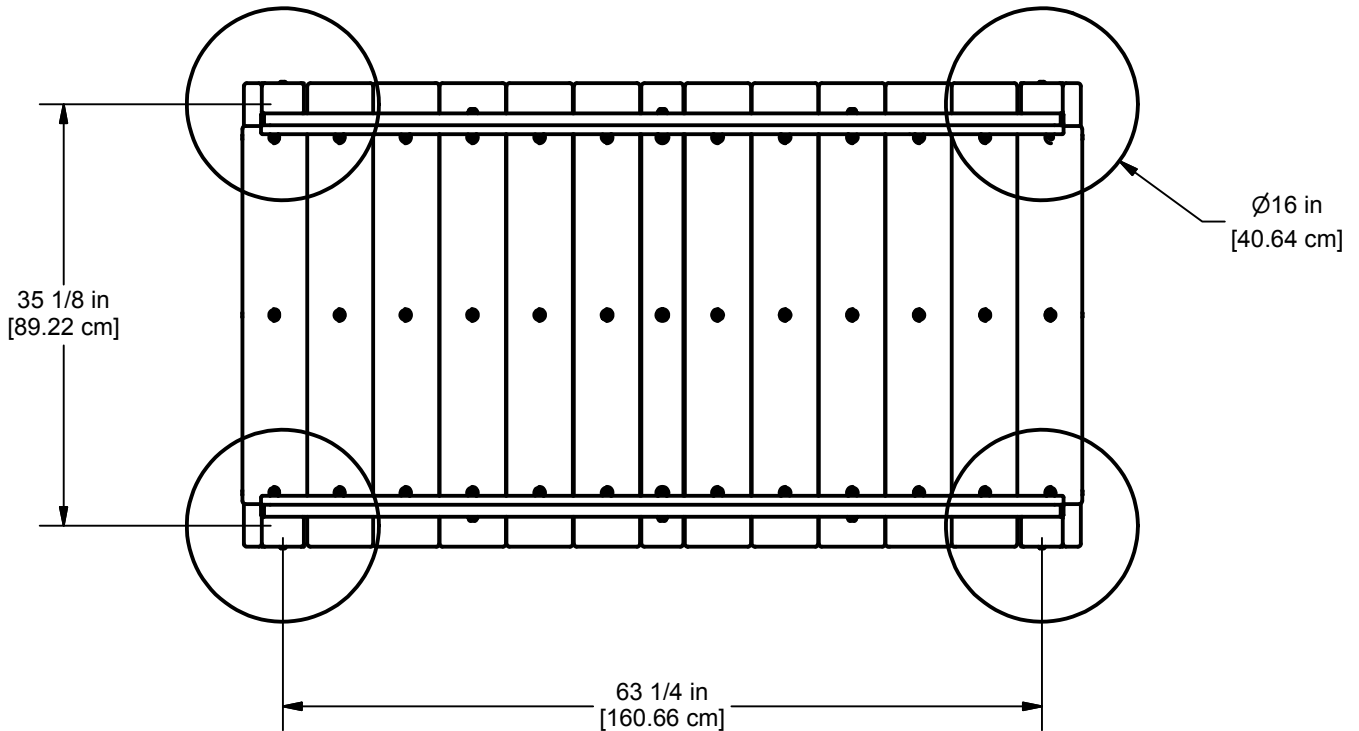
MEC416 GARDEN BRIDGE



⬡ = INSTALLATION DETAIL

**FINISHED ASSEMBLY**

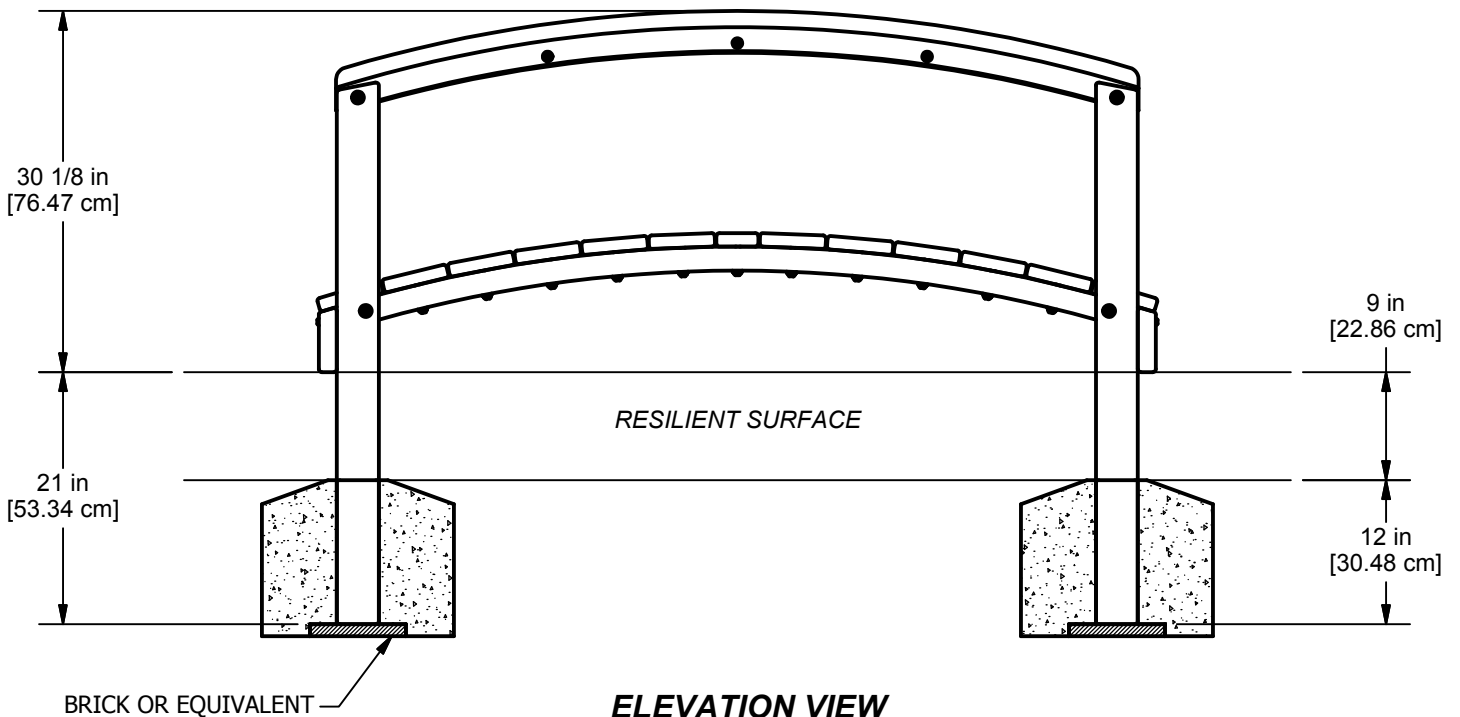
MEC416 GARDEN BRIDGE



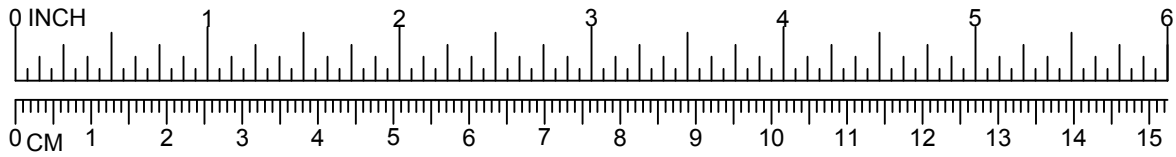
**PLAN VIEW**

**CONCRETE REQUIRED**

0.208 CUBIC YARDS  
0.160 [CUBIC METERS]

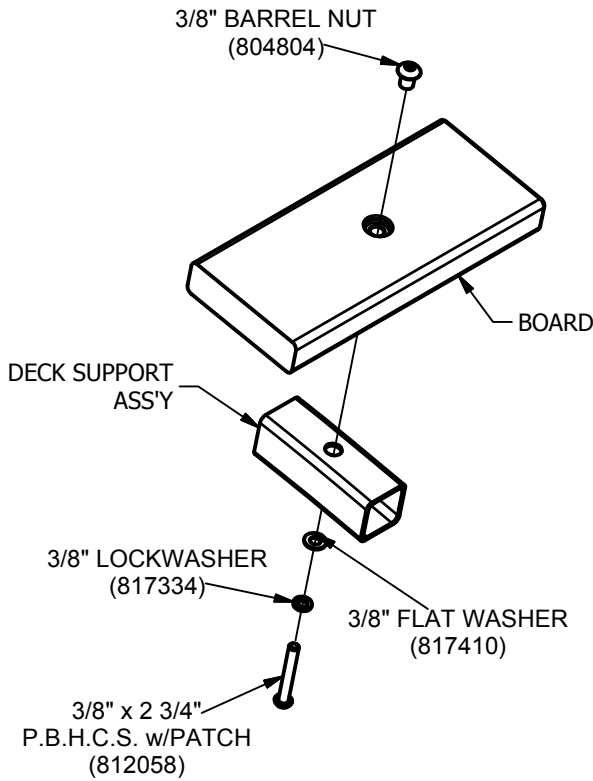


**ELEVATION VIEW**

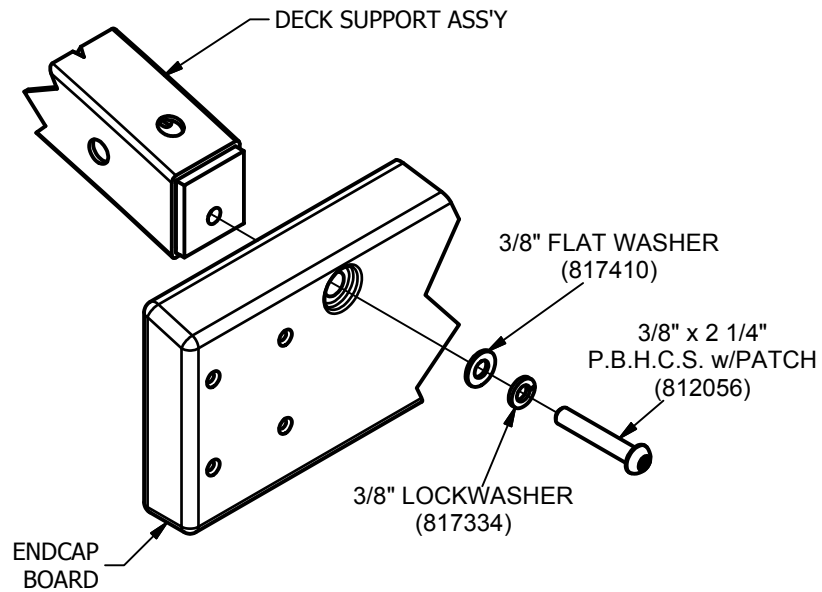


# MEC416 GARDEN BRIDGE

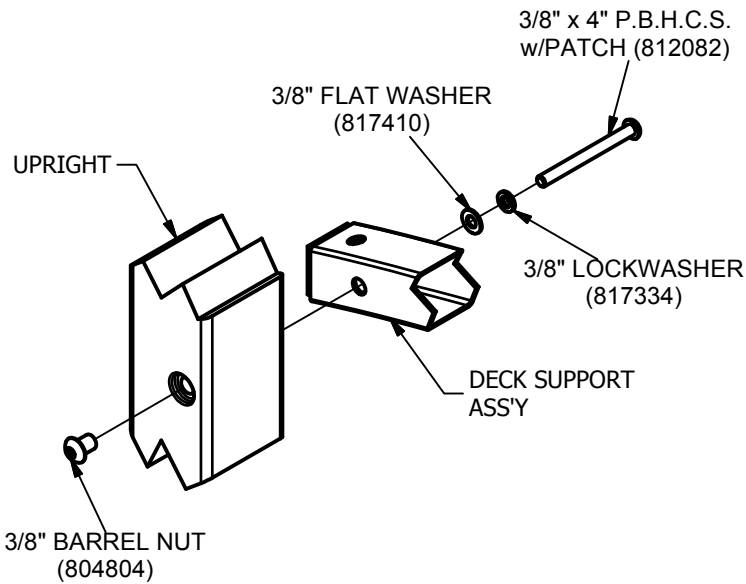
250



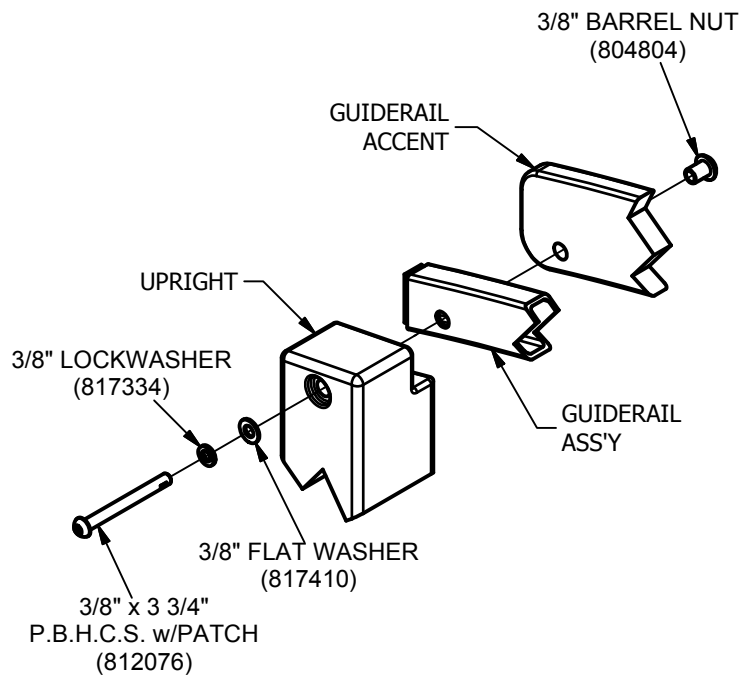
261

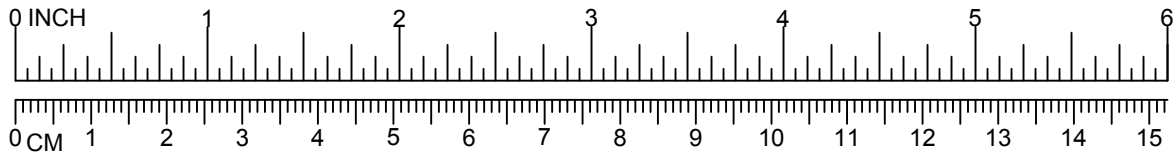


262



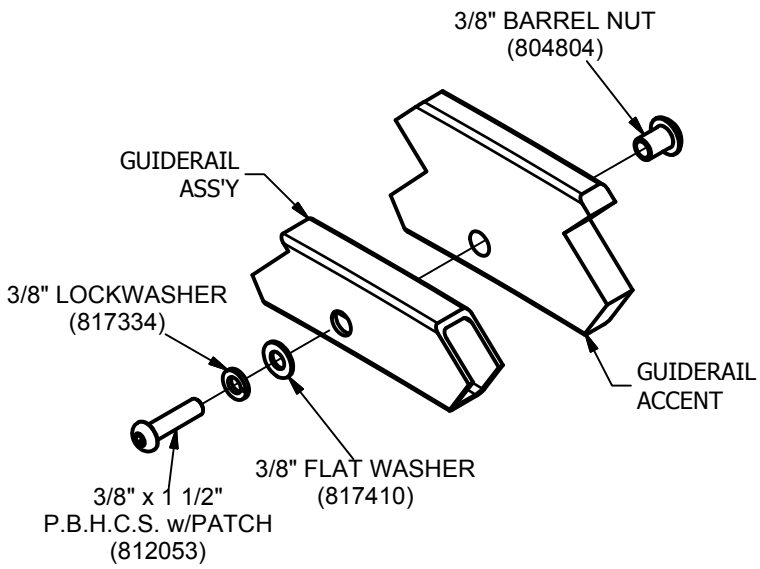
263





# MEC416 GARDEN BRIDGE

264



265

