

MEC-049 Waterway - Double

Parts List		
DESCRIPTION	QTY	PART NUMBER
WATERWAY MODULE	2	402718
4x 4 POST 3	2	402702
4x 4 POST 4	2	402703
4x4 POST 5	2	402777
GEYSER ROOF PANEL A	1	402708
GEYSER ROOF PANEL B	1	402709
SPACER	1	402719
--- HARDWARE COMPLETE ---	1	402755
WASHER 1/2" STAINLESS	8	817465
3/8" FLAT WASHER	8	817410
3/8" BARREL NUT	8	804804
3/8" x 5" P.B.H.C.S. w/PATCH	6	812078
3/8" x 4" P.B.H.C.S. w/PATCH	2	812082
#10 x 3" WOOD SCREW	8	815511

*Unless Otherwise Specified, All Units of Measure are Each
Items listed below Hardware Complete line are included with Hardware Complete Number*

Warning: During Installation, Hardware And Small Parts Are Choking Hazards For Young Children. Store Unused Parts Appropriately Until Assembly Is Completed. Once Assembly Is Completed, Remove Any Unused Parts From The Play Environment And Dispose/Save Them In A Secure Location. Any bolt end protruding more than two full threads beyond the face of the nut causes risk of clothing entanglement.

Promptly cut-off flush, file smooth, and treat to prevent corrosion.

Note: Peen Tee-Nuts and Flatwashers to match radius of pipe after assembly is complete.

Note: Loctite (supplied by others) should be used on any non-patch hardware.

Installation Instructions:

1. Dig 12" deep x 12" diameter footing holes as shown in Plan and Elevation Views. Refer to Plan view for correct post layout (Note: the Layout may be arranged in any of three arrangements. Right-hand arrangement ("Layout A") shown See pages 3 of 5 and 4 of 5 to review all options).
 2. Position (2) 4x4 Post 1 and (2) 4x4 Post 2 in four of the prepared footing holes as shown. Refer to Finished Assembly view for locations of posts.
 3. Locate & drill two 1/2" diameter through-holes in the sides of one of the Waterway Modules. See Detail 069. This will be the lowest Waterway Module in the Series
 4. Attach the drilled Waterway Module to (2) 4x4 Post 4 and (2) 4x4 Post 3 using 3/8" x 5" P.B.H.C.S. w/Patch, 3/8" Flat Washers, 3/8" Barrel Nuts, and 1/2" Washers. See Finished Assembly view and Detail 069.
 5. Plumb all 4x4 Posts, and shore up the structure securely to support it during the subsequent assembly steps.
- NOTE:** The Waterway Modules are sloped to allow water to flow. The typical height difference between the upper end and lower end of the Waterway Module is 2". The Waterway Module is to remain level across the Narrow Axis. See Detail 071.
6. With the first Waterway Module securely supported, place two ea. 4x4 Post 5 into their footing holes, and position the Spout end of another Waterway Module so that it is resting on the side of the partially completed Waterway structure, as shown, and has a Spacer positioned between the side of the Waterway Module and the Spout panel. See Details 070 & 071.
 7. Attach the second Waterway Module to the 4x4 Post 5 using 3/8" x 5" P.B.H.C.S. w/Patch, 3/8" Flat Washers, 3/8" Barrel Nuts, and 1/2" Washers. See Detail 069.

(Cont'd.)

Issued/Revised: 03/01/2013

BigToys[®]

A PLAYCORE Company

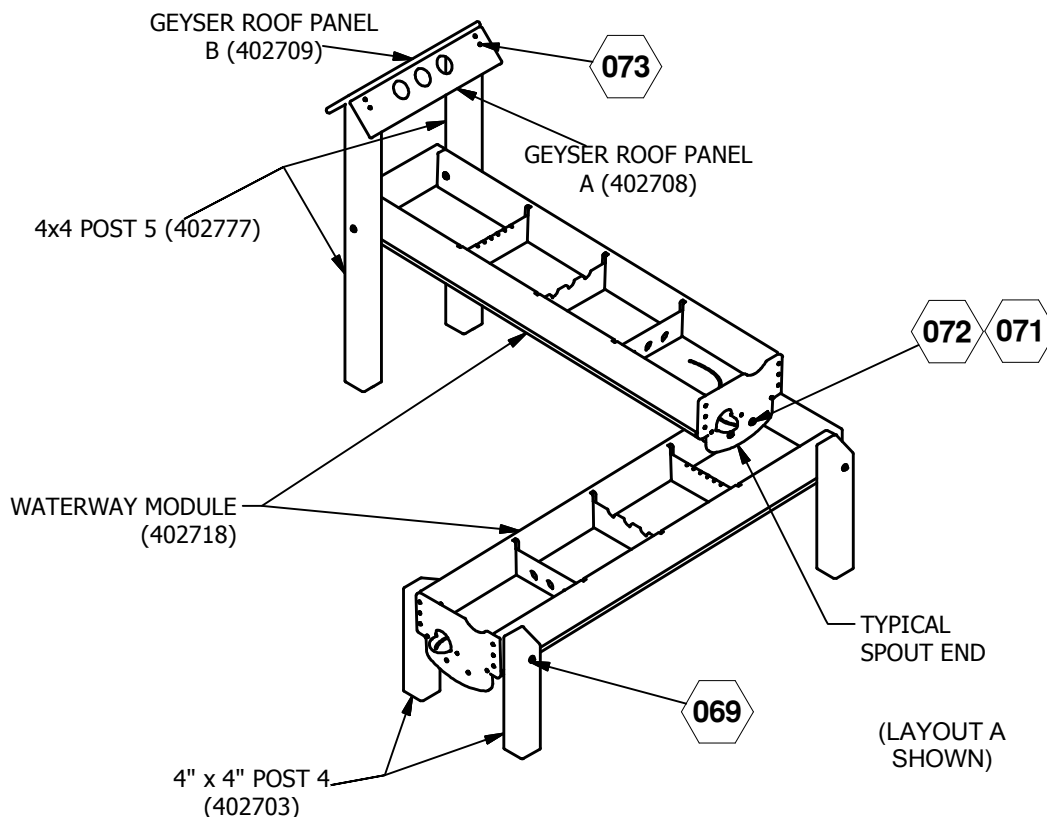
SHEET 1 OF 6

MEC-049 Waterway - Double

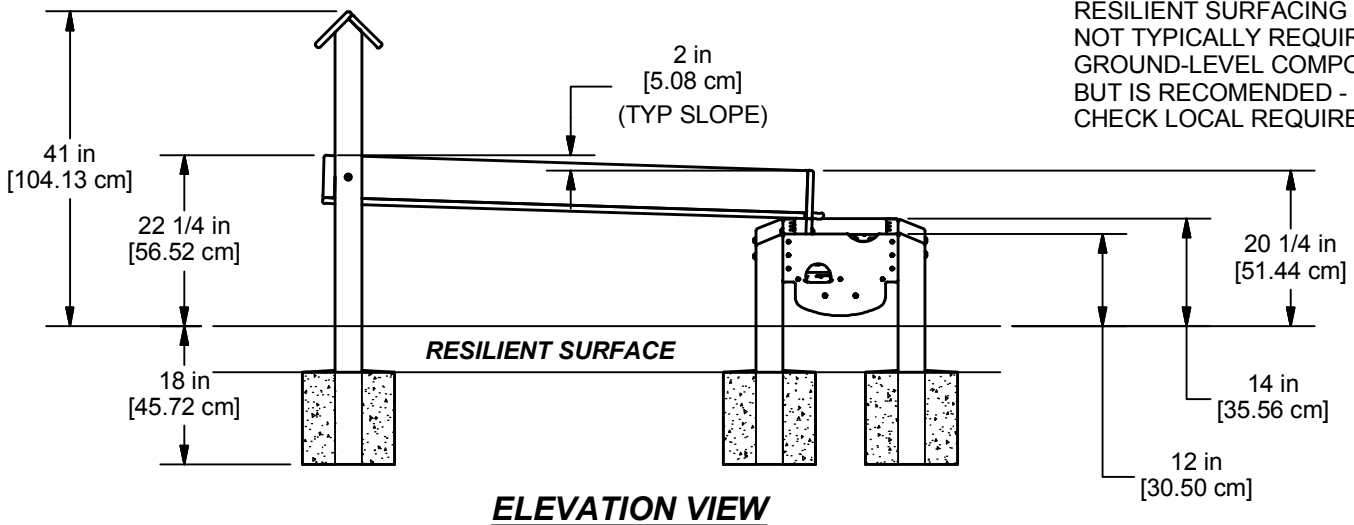
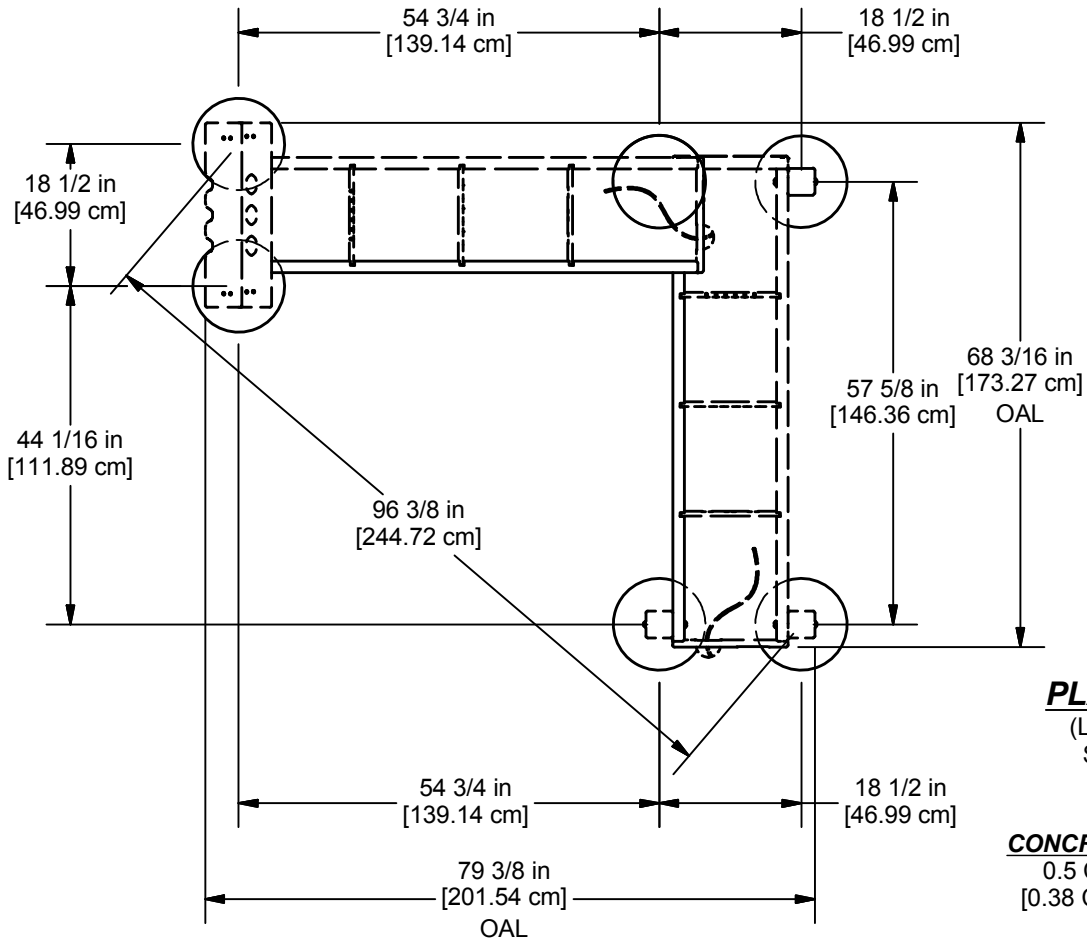
8. Make certain to align the holes in the Spacer with the holes in the Spout panel, and hold them together firmly against the side of the first Waterway Module. Level the Waterway Module across the narrow axis, then mark and drill two 1/2" holes through the side of Waterway Module, using the holes in the Spout Panel and Spacer as a guide. See Detail 071.
9. Attach the second Waterway Module and Spacer to the partially completed structure using 3/8" x 4" P.B.H.C.S. w/Patch, 3/8" Flat Washers, 3/8" Barrel Nuts, and 1/2" Washers. See Detail 072.
10. Position the Geyser Roof Panel A on the top of the 4x4 Post 5 as shown, leaving a 1" projection at the end of the panel. Attach using (4) #10 x 2-1/2" screws. See Detail 073.
11. Position the Geyser Roof Panel B on the top of the 4x4 Post 5, aligning the end of Geyser Roof Panel B with the end Geyser Roof Panel A. Attach using (4) #10 x 2-1/2" screws. See Detail 073.
12. Plumb and level the entire assembly and tighten all fasteners.
13. After entire unit is assembled, pour concrete footings within 4" to the top and taper away from post for water drainage. Allow to cure at least 48 hours before use. Temporary bracing may be required until concrete cures.
14. When the structure is finished and satisfactory, eliminate sharp points and sharp edges (burring) on installed hardware like bolts, nuts etc. Install resilient surfacing material within the use zone of play structure in accordance with ASTM specifications F1292 appropriate for the fall height of each structure. Refer to the safety guidelines.

MAINTENANCE PROCEDURE:

Periodically check hardware for tightness, and tighten as necessary. Always check all parts for breakage or wear, and immediately put equipment out of service until any faulty parts found are repaired or replaced. Also Check all metal parts for rust, paint loss and touch-up if necessary with paint. Check for welded areas and verify integrity. Check periodically resilient surfacing for appropriate depth and remove extraneous materials that could cause injury, infection, or disease. Maintain detailed installation, inspection, maintenance, and repair records for each public-use playground equipment.

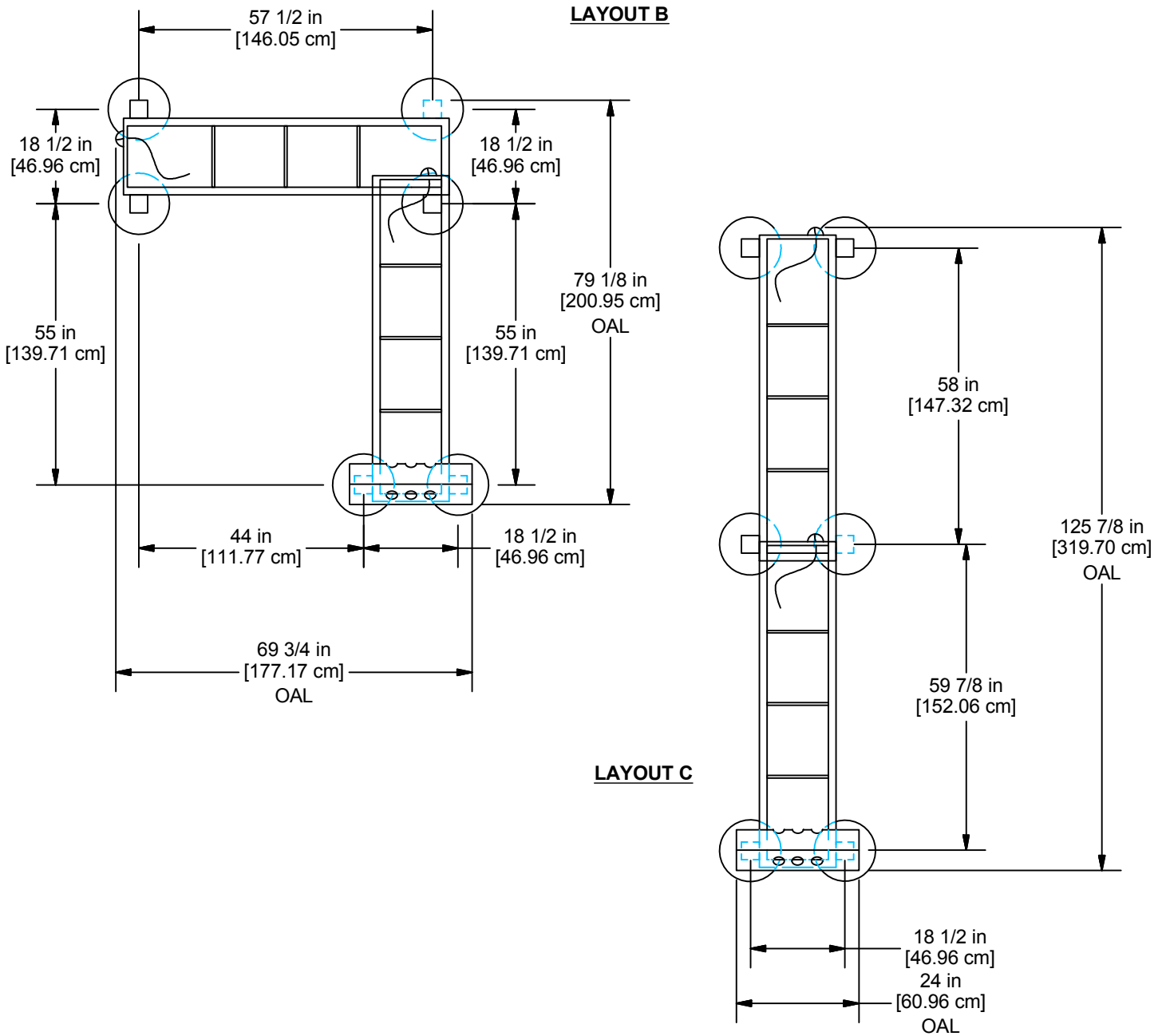


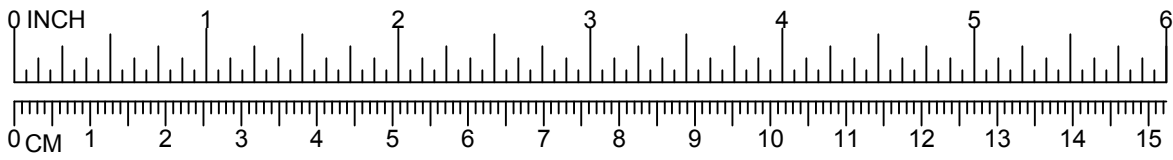
MEC-049 Waterway - Double



NOTE:
RESILIENT SURFACING IS NOT TYPICALLY REQUIRED FOR GROUND-LEVEL COMPONENTS, BUT IS RECOMMENDED - CHECK LOCAL REQUIREMENTS

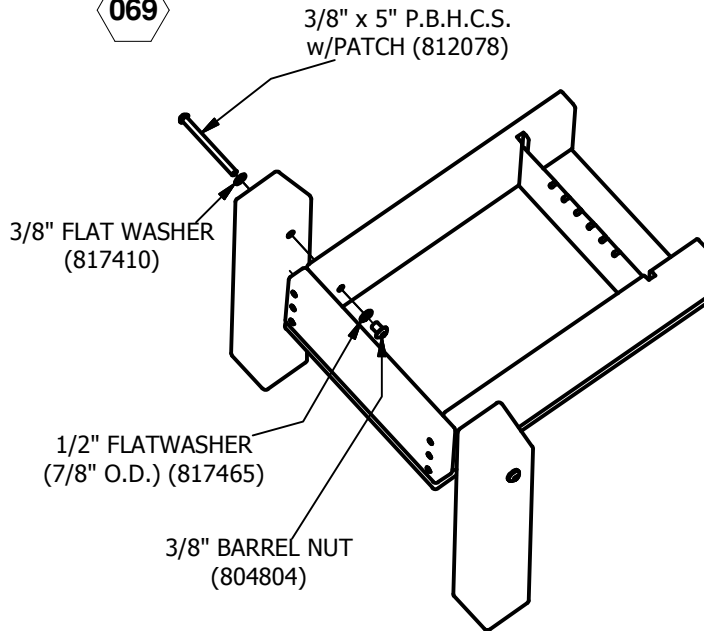
MEC-049 Waterway - Double



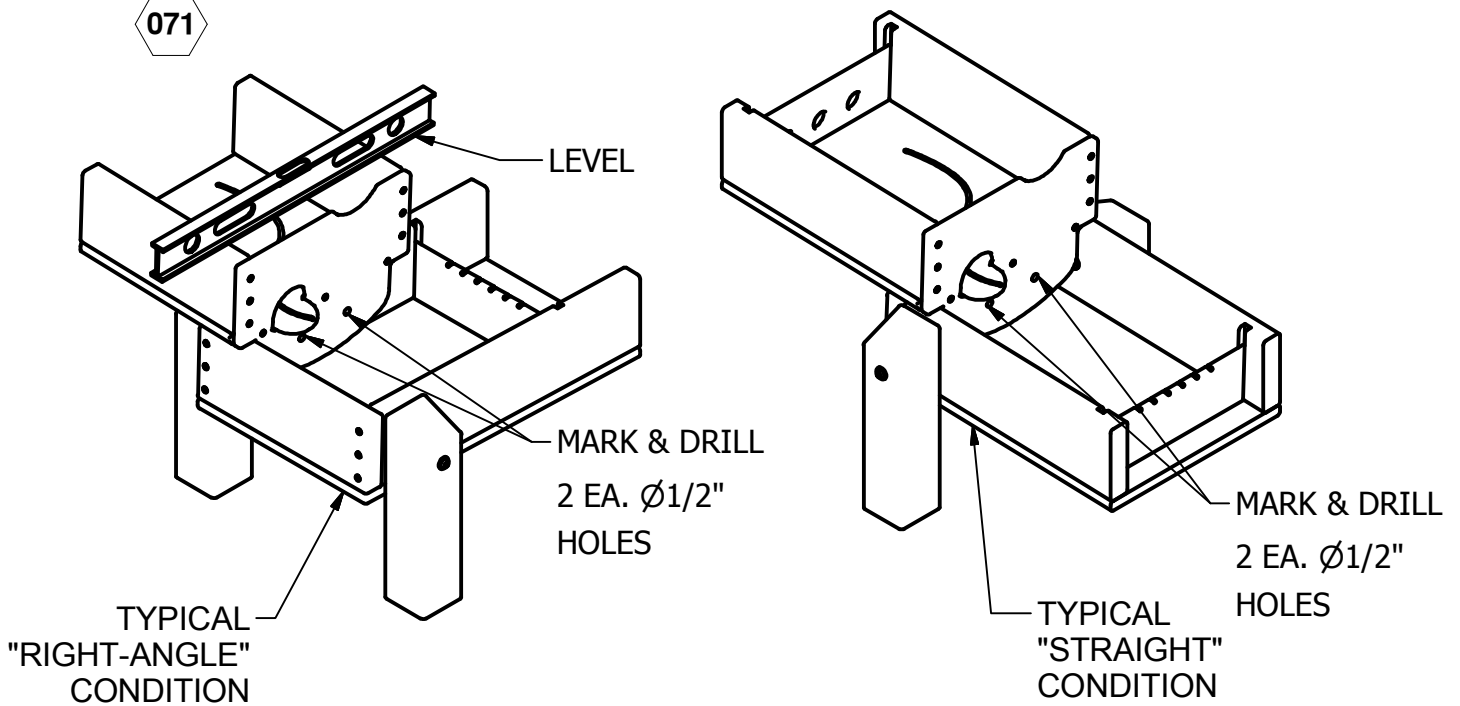


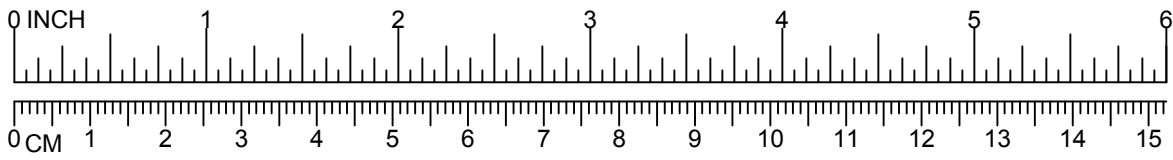
MEC-049 Waterway - Double

069



071





MEC-049 Waterway - Double

