

## MEC-015 CRAWL THROUGH PLAYHOUSE

Parts List		
DESCRIPTION	QTY	PART NUMBER
MIRROR ENCLOSURE FS-M	1	M766
ENCLOSURE M 29-1/2" WINDOW	1	M765
ENCLOSURE SHROUD	2	401970
5'-0" ALUMINUM COLUMN	4	A51007
PLAYHOUSE ROOF RIDGECAP - 9 BOARD	1	401332
FASCIA PLAYHOUSE - M	4	402092
RAFTER, PLAYHOUSE - M	38	401736
RAFTER, PLAYHOUSE EDGE - M	2	401521
BEAM, LOWER 58" - M	2	401704
BEAM, UPPER 58" - M	2	401706
COLUMN END FITTING	4	M600
ROOF PURLIN BRACKET	4	401352
HARDWARE COMPLETE	1	405015
PLAYHOUSE "L" BRACKET	4	401462*
PLAYHOUSE 90D - GUSSET - HDG BRACKET	4	401464*
PLAYHOUSE 90D BRACKET	4	401463*
10MM DO-NUT BASE	16	G030*
10MM DO-NUT CAP	16	G032*
1/4" FLAT WASHER (5/8" O.D.)	16	817408*
1/4" x 1" P.B.H.C.S. w/Patch	16	812012*
3/8" LOCK NUT	20	804353*
3/8" INTERNAL TOOTH LOCKWASHER	24	817200*
1/2" LOCKNUT	4	804355*
12MM DO-NUT BASE	12	G034*
12MM DO-NUT CAP	12	G036*
1/2" INTERNAL TOOTH LOCK WASHER	4	817201*
3/8" x 2 1/4" HEX HEAD BOLT	4	801008*
1/2 x 2 1/4" CARRIAGE BOLT	4	800429*
3/8 x 2 1/4" CARRIAGE BOLT	16	800258*
1/4" x 15/32" DRIVE RIVET	8	805303*
#10 x 3" WOOD SCREW	82	815511*
#12 x 1 1/4" PAN HEAD SQ. WOOD SCREW	12	815513*

CONT'D ON NEXT PAGE

# MEC-015 CRAWL THROUGH PLAYHOUSE

## CONT'D FROM PREVIOUS PAGE

Parts List		
DESCRIPTION	QTY	PART NUMBER
1/2" THREADED INSERT	8	M000*
1/2" FLATWASHER (7/8" O.D.)	8	817465*
1/2" x 5" HEX HEAD BOLT	8	800807*
#8 x 3/4" WOOD SCREW	12	815517*
LABEL, 6-23 MONTHS	1	E4011*

*Unless Otherwise Specified, All Units of Measure are Each*

*Items listed below Hardware Complete line are included with Hardware Complete Number*

**Warning: During Installation, Hardware And Small Parts Are Choking Hazards For Young Children. Store Unused Parts Appropriately Until Assembly Is Completed. Once Assembly Is Completed, Remove Any Unused Parts From The Play Environment And Dispose/Save Them In A Secure Location. Any bolt end protruding more than two full threads beyond the face of the nut causes risk of clothing entanglement.**

**Promptly cut-off flush, file smooth, and treat to prevent corrosion.**

**Note: Peen Tee-Nuts and Flatwashers to match radius of pipe after assembly is complete.**

**Note: Loctite (supplied by others) should be used on any non-patch hardware.**

## INSTALLATION INSTRUCTIONS:

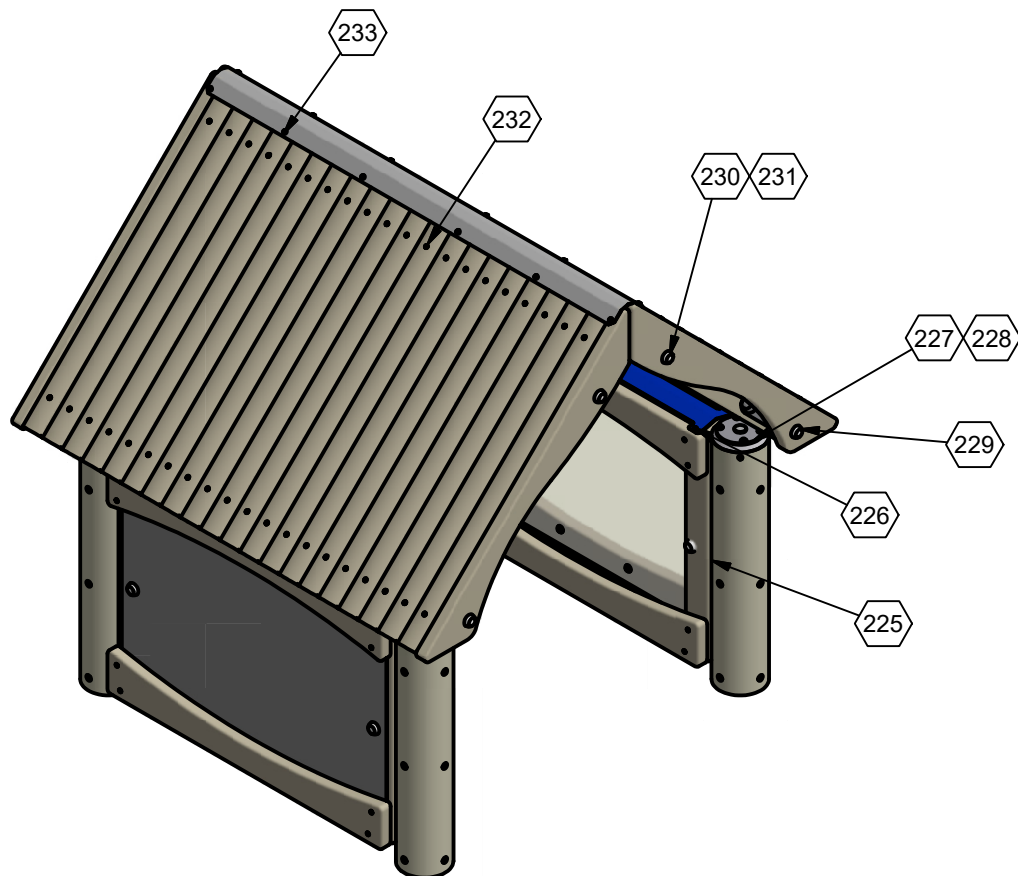
1. Dig Footing Hole as shown in Elevation View.
2. Insert Columns into holes using brick or equivalent as support as shown in Elevation View. Locate holes in Columns that will receive Mirror and Window Enclosures. Drive Eagle Fasteners into these holes. Fill open column holes above the surfacing line with hole plugs. Refer to Typical Threaded Insert Installation in the supplemental Installation Instruction Prologue for installation procedures.
3. Attach Enclosures to Columns using Do-Nut Base, 1/2" Washer, 1/2" x 5" Bolt, and Do-Nut Cap. Refer to Detail 225.
4. Attach Shrouds to top of Enclosures using #8 x 3/4" Wood Screws. See Detail 226.
5. Attach Roof Purlin Brackets to Column End Fitting Bracket Mount using 1/4" x 1" B.H.C.S and 1/4" Flatwasher. See Detail 227. Insert the Column End Fitting Bracket Mount Assembly into Column. **Do not Rivet into place until Roof is assembled.**
6. Attach Lower Beams and Playouse "L" Brackets using 1/2" x 2 1/4" Carriage Bolt, Do-Nut Base, and 1/2" Hex Nut. See Detail 228. **Do not install Do-Nut Caps until assembly is complete.**
7. Attach Facias to Lower Beam Assembly using 3/8" x 2 1/4" Carriage Bolt, Do-Nut Base, 3/8" Flat Washer, 3/8" Hex Nut, and Do-Nut Cap. See Detail 229. **Do not completely tighten Hex Nut or Install Do-Nut Caps until assembly is complete.**
8. Attach Upper Beams to outer Playhouse 90D Brackets using 3/8" x 2 1/4" Carriage Bolt and 3/8" Hex Nut. Attach 90D Brackets to Fascia on completed side using 3/8" X 2 1/4" Carriage Bolt, Do-Nut Base, 3/8" Flatwasher, 3/8" Hex Nut, and Do-Nut Cap See Detail 230.
9. Repeat Steps 6, 7, and 8 to assemble the other half of roof framework. **Do not attach Playhouse 90D Bracket until the next step.**
10. Install remaining Playhouse 90D Brackets using Do-Nut Base, 3/8" Flat washer, 3/8" x 2 1/4" Carriage Bolt, and Do-Nut Cap and bolt previously attached 90D Brackets to Upper Beam using 3/8" X 2 1/4" Carriage Bolt, 3/8" Hex Nut to complete roof framework assembly. Refer to Detail 231.

## MEC-015 CRAWL THROUGH PLAYHOUSE

11. Attach Rafters to both sides of roof framework. Starting on the left, orient the first Rafter with the tongue facing inward and attach by inserting (2) #10 x 3" Wood Screws through the rafter and into pilot holes in Upper and Lower Beams. Refer to Detail 232.
12. Continue attaching Rafters by inserting (2) #10 x 3" Wood Screws through the rafter and into pilot holes in Upper and Lower Beams with each Rafter overlapping the tongue of the previously attached rafter. **Note:** The last space will be too narrow for a Rafter so you must use an Edge Rafter. (See next step.)
13. Attach Edge Rafter in the last position on each side of Roof by inserting (2) #10 x 3" Wood Screws through rafter and into pilot holes in Upper and Lower Beams.
14. Install Ridge Cap using #12 x 1 1/4" Wood Screw. See Detail 233
15. Tighten all hardware and install Do-Nut Caps. (See Typical Do-Nut Installation)

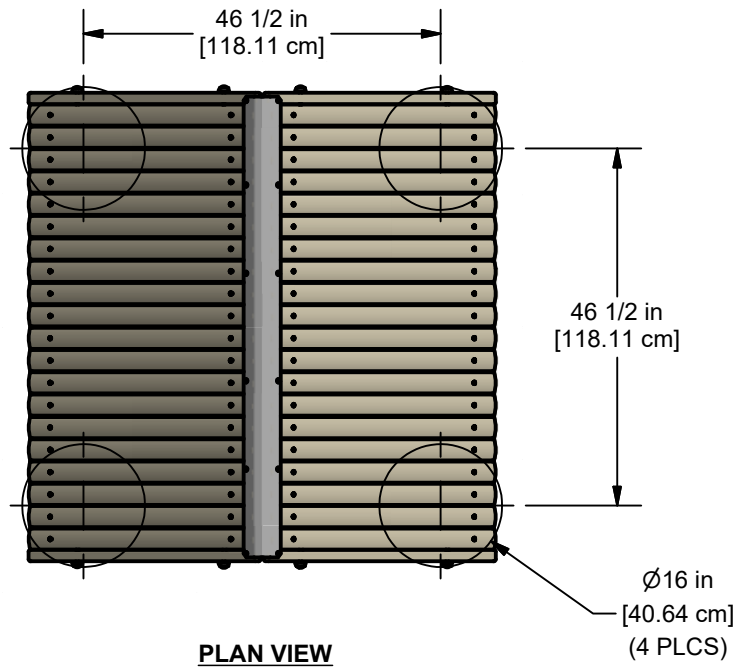
### **MAINTENANCE PROCEDURE:**

Periodically check hardware for tightness, and tighten as necessary. Always check all parts for breakage or wear, and immediately put equipment out of service until any faulty parts found are repaired or replaced. Also Check all metal parts for rust, paint loss and touch-up if necessary with paint. Check for welded areas and verify integrity. Check periodically resilient surfacing for appropriate depth and remove extraneous materials that could cause injury, infection, or disease. Maintain detailed installation, inspection, maintenance, and repair records for each public-use playground equipment.



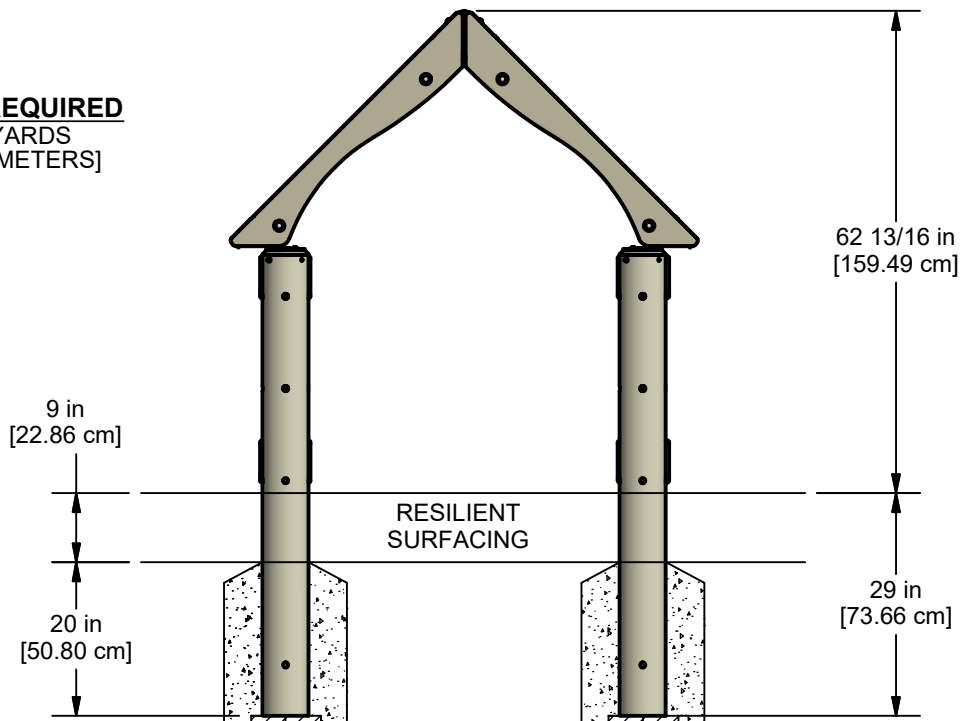
### **ASSEMBLY DRAWING**

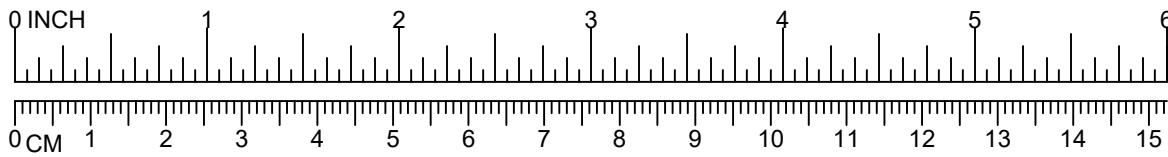
## MEC-015 CRAWL THROUGH PLAYHOUSE



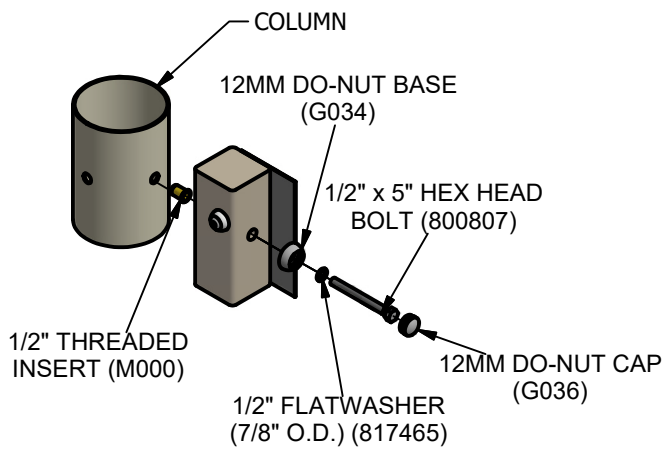
**CONCRETE REQUIRED**

.37 CUBIC YARDS  
.28 [CUBIC METERS]

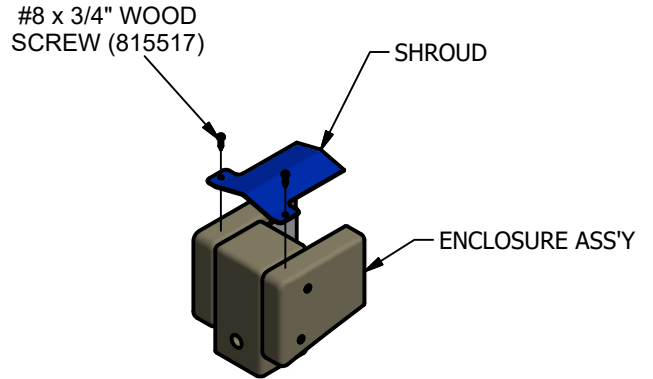




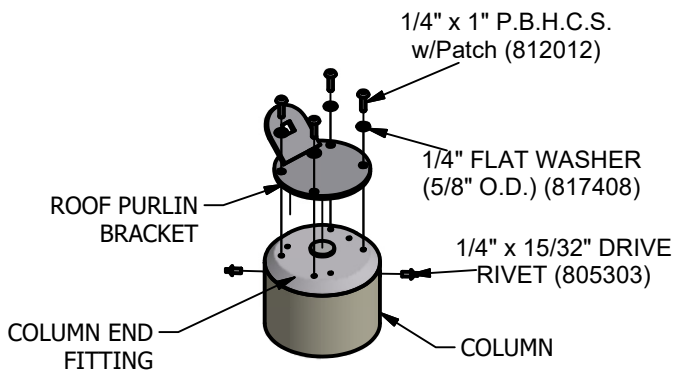
# MEC-015 CRAWL THROUGH PLAYHOUSE



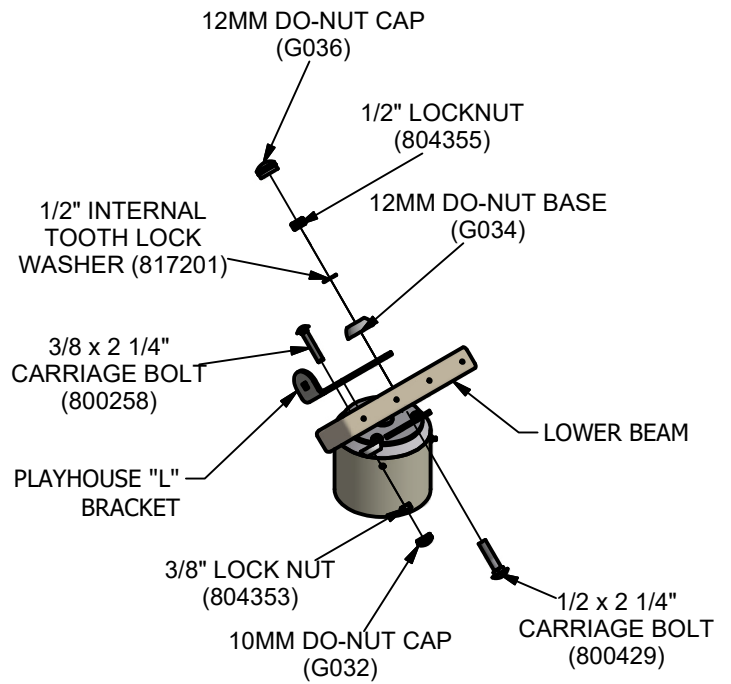
225



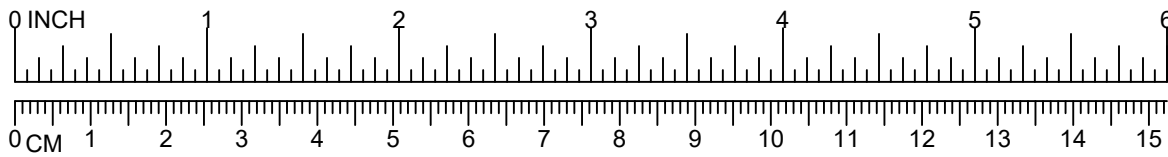
226



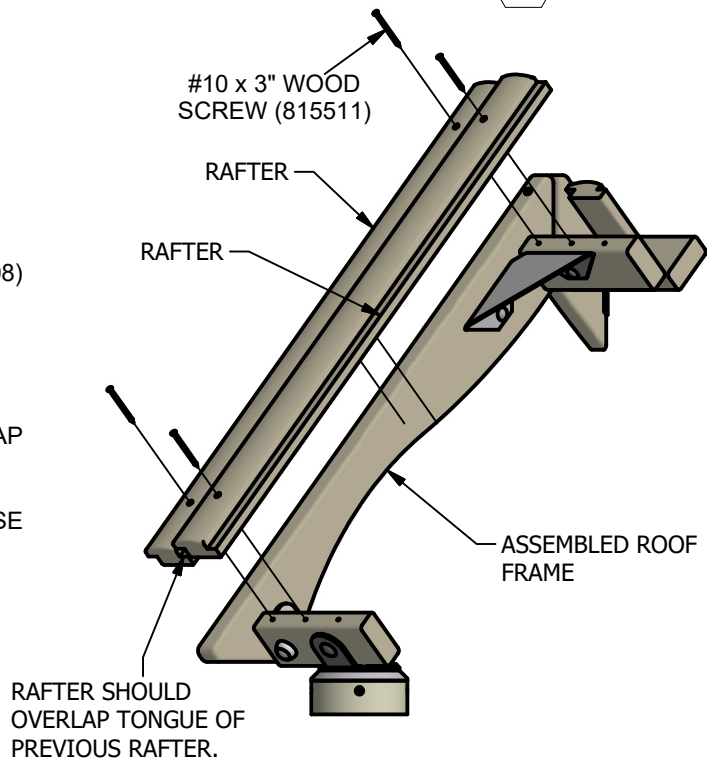
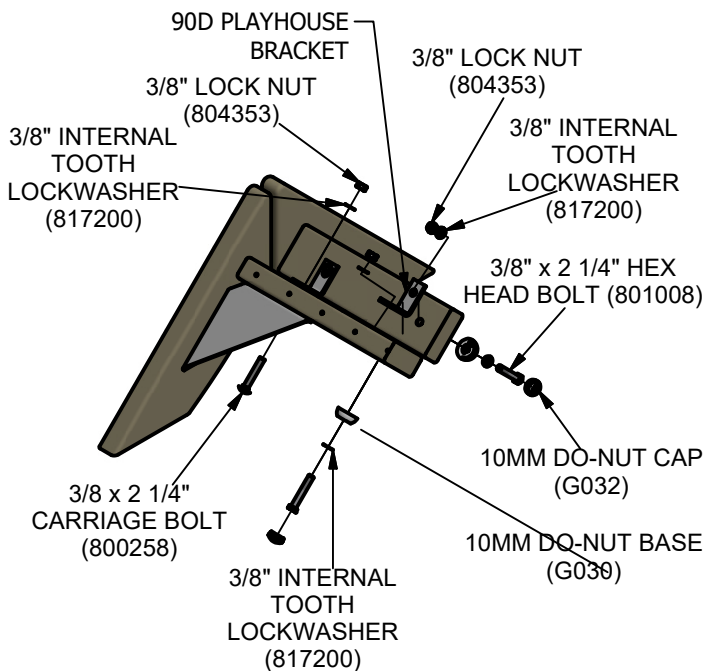
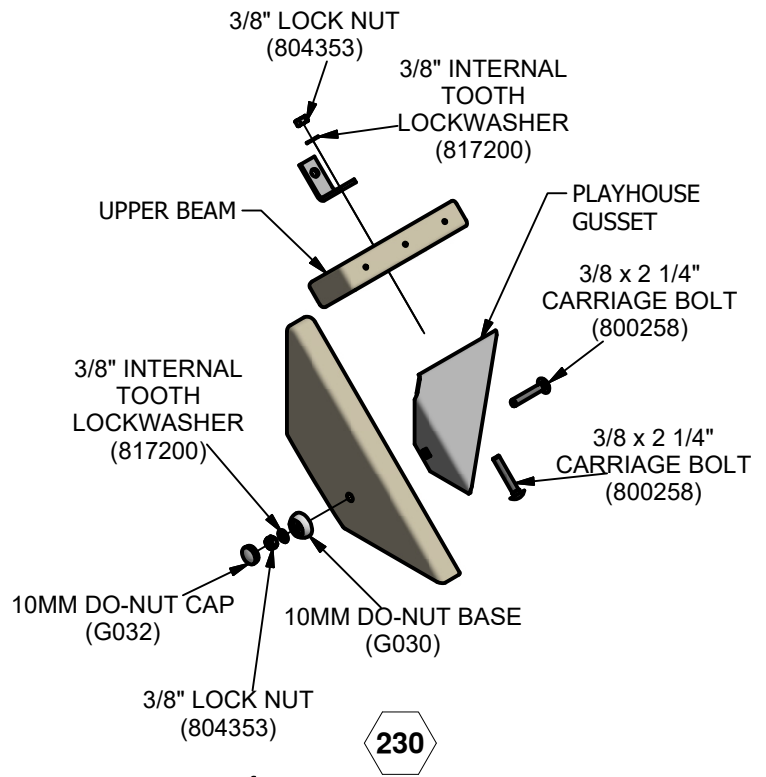
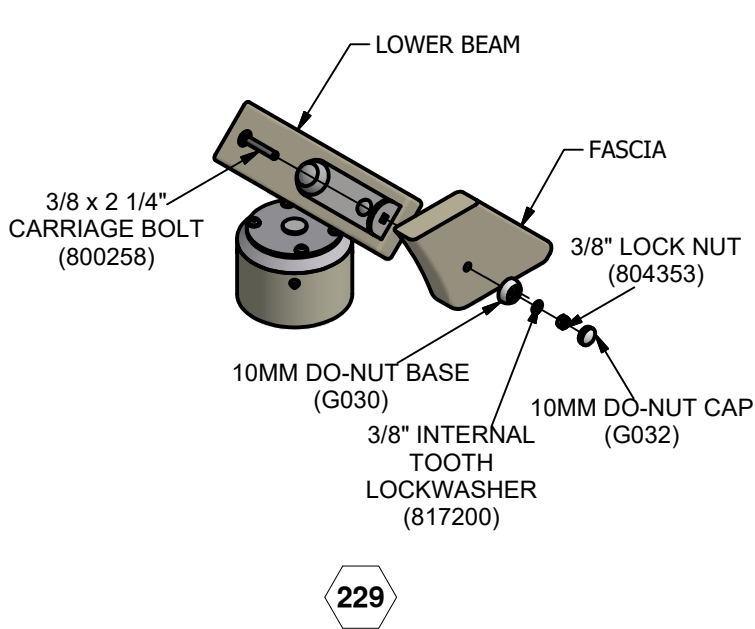
227

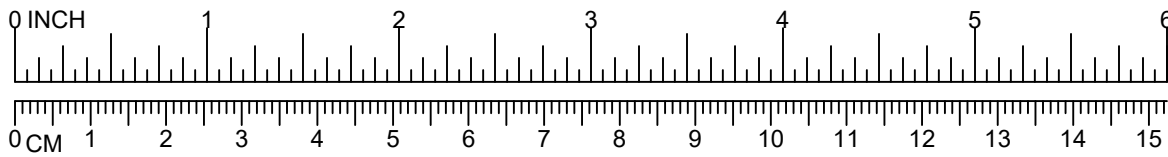


228

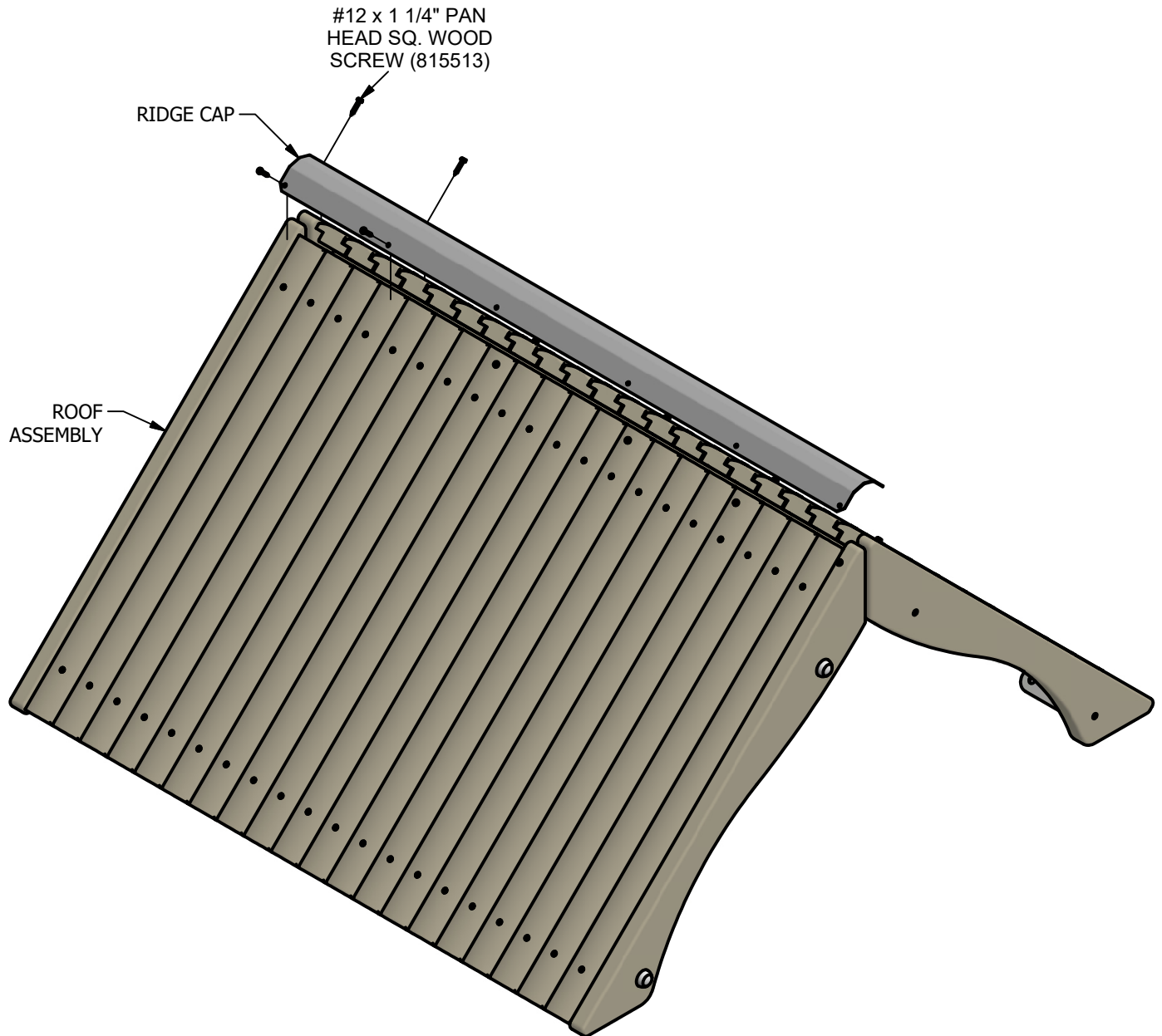


# MEC-015 CRAWL THROUGH PLAYHOUSE





## MEC-015 CRAWL THROUGH PLAYHOUSE



233