

BT404 COLUMBUS

Parts List		
DESCRIPTION	QTY	PART NUMBER
CHALLENGE CLIMB	1	BT461
TWISTED TRIDENT	1	BT468
SUSPENDED PLAYSHELL	1	BT470
NAVICLIMB INVERTED	1	BT476
HELIX SPINNER	1	BT477
DOUBLE DISK CABLE	1	311550
UPRIGHT 1	1	402432
UPRIGHT 2	1	405499
UPRIGHT 3	1	405501
HARDWARE COMPLETE	1	311721
5" POST TOP COVER	3	311349*
3/8" x 1/2" P.B.H.C.S. w/PATCH	6	812049*
3/4" ID BRONZE BEARING	2	817451*

Unless Otherwise Specified, All Units of Measure are Each

Items listed below Hardware Complete line are included with Hardware Complete Number

Warning: During Installation, Hardware And Small Parts Are Choking Hazards For Young Children. Store Unused Parts Appropriately Until Assembly Is Completed. Once Assembly Is Completed, Remove Any Unused Parts From The Play Environment And Dispose/Save Them In A Secure Location. Any bolt end protruding more than two full threads beyond the face of the nut causes risk of clothing entanglement. Promptly cut-off flush, file smooth, and treat to prevent corrosion.

Note: Peen Tee-Nuts and Flatwashers to match radius of pipe after assembly is complete.

Note: Loctite (supplied by others) should be used on any non-patch hardware.

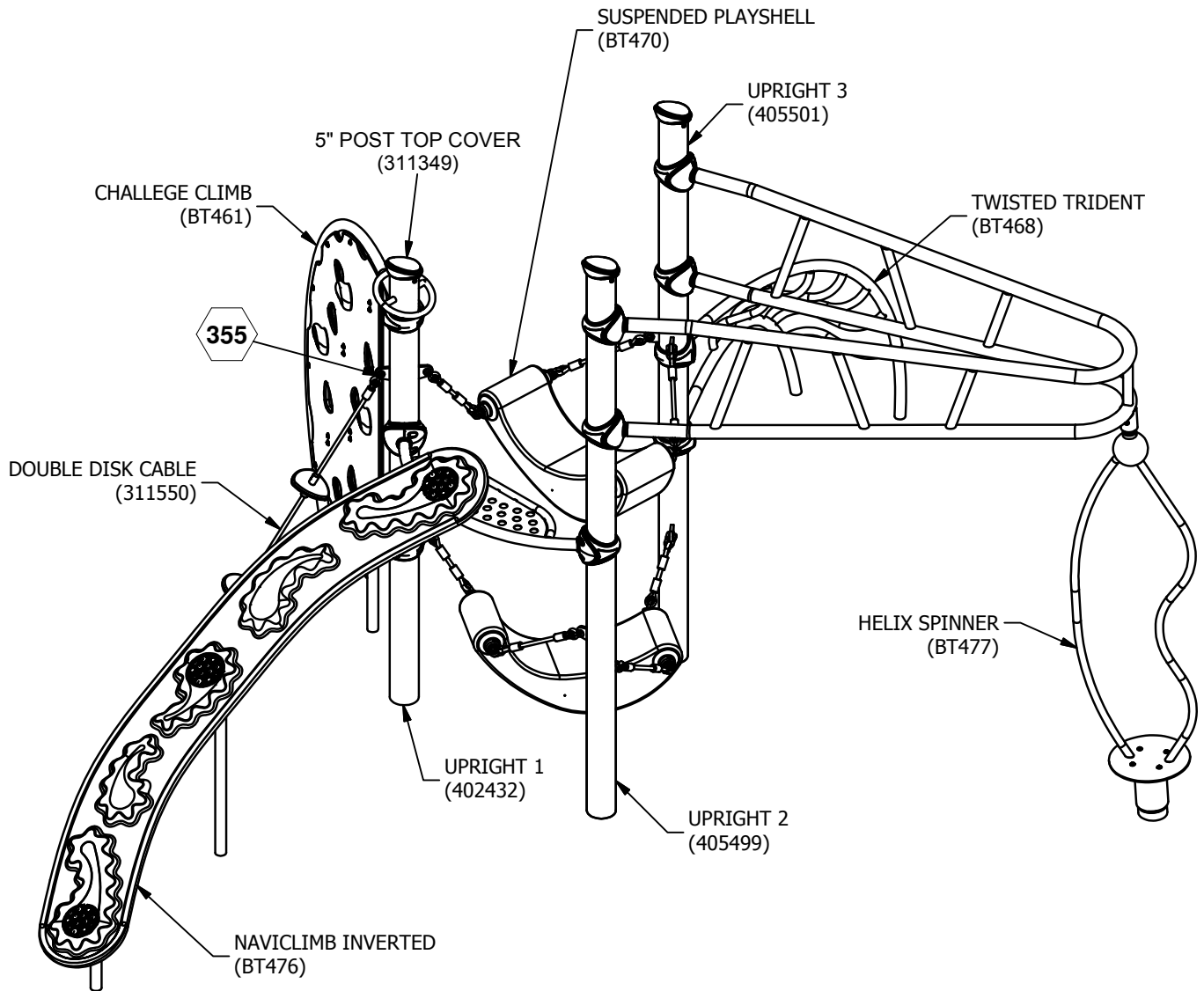
INSTALLATION INSTRUCTIONS:

1. Dig footing holes as shown in Ground Plan. See specific installation sheets for Elevation Views.
2. Refer to specific installation sheets for component attachments, hardware, details, and concrete requirements.
3. Attach 5" Post Top Cover to Uprights using 3/8" x 1/2" P.B.H.C.S. w/Patch. See Detail 612.
4. Attach Double Disk Cable to Tab on Upright. See Detail 355.
5. Plumb and level the entire assembly and tighten all fasteners.
6. After entire discrete unit is assembled pour concrete footings within 4" to the top and taper away from post for water drainage. Allow to cure at least 48 hours before use. **NOTE:** Temporary bracing may be required until concrete cures.
7. When the structure is finished and satisfactory, eliminate sharp points and sharp edges (burring) on installed hardware like bolt, nuts, etc. Install resilient surfacing material within the use zone of play structure in accordance with ASTM specifications F1292 appropriate for the fall height of each structure. Refer to the safety guidelines.

MAINTENANCE PROCEDURE:

Periodically check hardware for tightness, and tighten as necessary. Always check all parts for breakage or wear, and immediately put equipment out of service until any faulty parts found are repaired or replaced. Also Check all metal parts for rust, paint loss and touch-up if necessary with paint. Check for welded areas and verify integrity. Check periodically resilient surfacing for appropriate depth and remove extraneous materials that could cause injury, infection, or disease. Maintain detailed installation, inspection, maintenance, and repair records for each public-use playground equipment.

BT404 COLUMBUS



 = INSTALLATION DETAIL

FINISHED ASSEMBLY

Issued/Revised: 10/2/2017

BigToys[®]

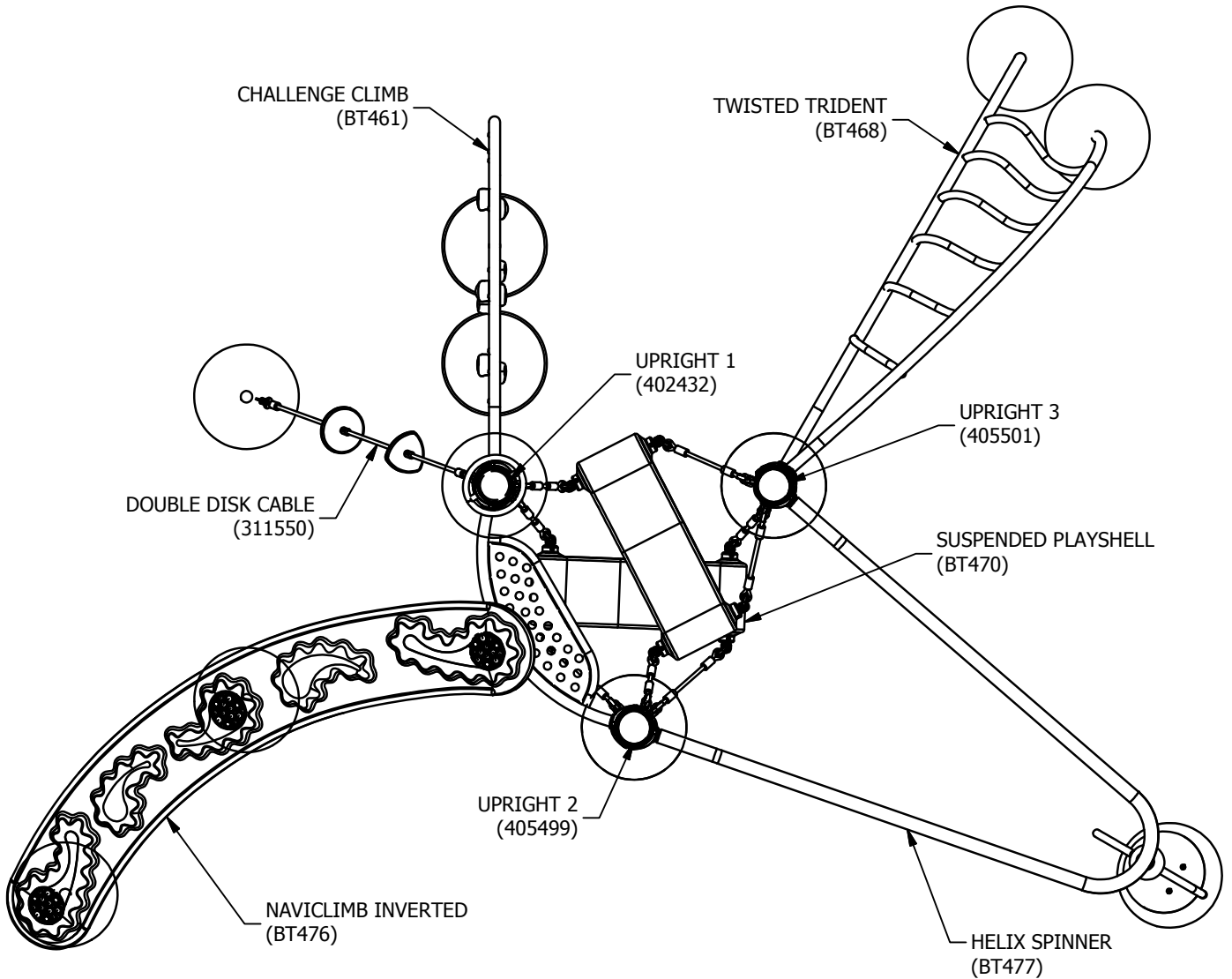
SHEET 2 OF 5

1-866-814-8697

A PLAYCORE Company

bigtoys.com

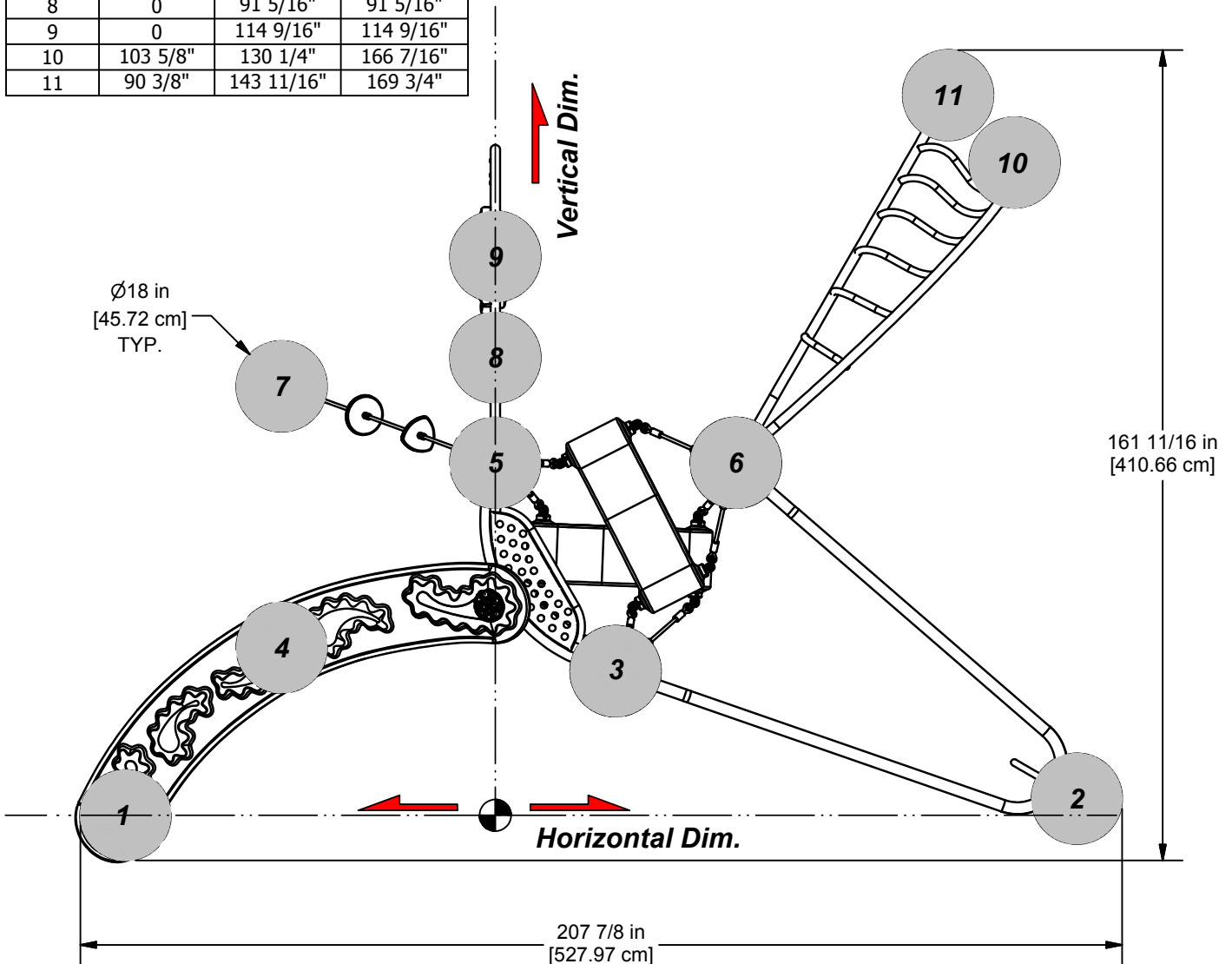
BT404 COLUMBUS



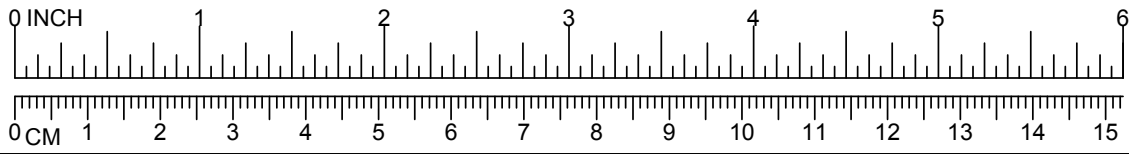
PLAN VIEW

BT404 COLUMBUS

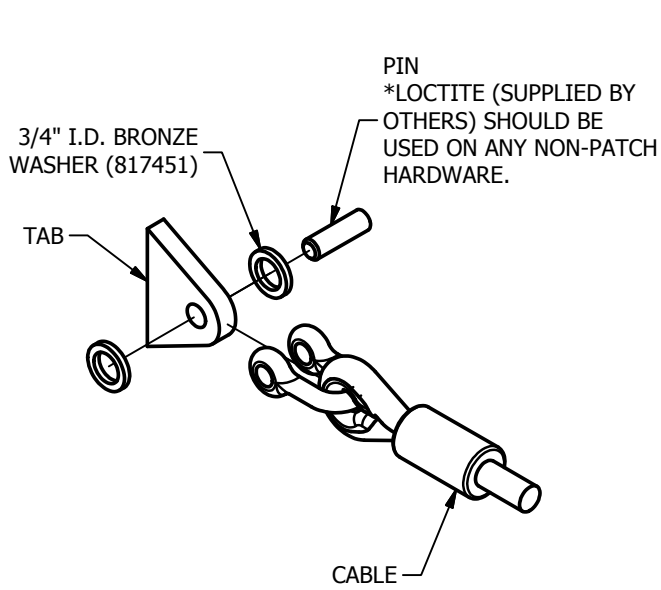
FOOTING TABLE			
Hole No.	Hor. Dim.	Ver. Dim.	Diagonal
1	73 13/16"	0	73 13/16"
2	116 1/16"	3 5/16"	116 1/8"
3	24"	28 3/4"	37 7/16"
4	42 5/8"	33 1/2"	54 3/16"
5	0	70 5/16"	70 5/16"
6	48 5/16"	70 5/16"	85"
7	42 5/8"	85 9/16"	95 5/8"
8	0	91 5/16"	91 5/16"
9	0	114 9/16"	114 9/16"
10	103 5/8"	130 1/4"	166 7/16"
11	90 3/8"	143 11/16"	169 3/4"



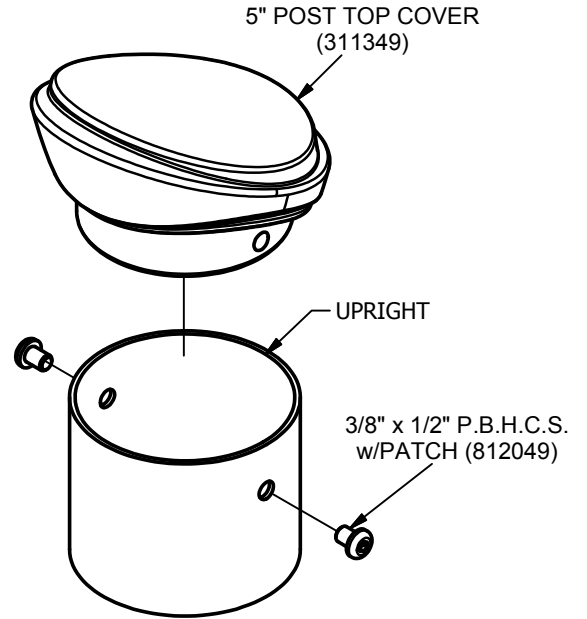
GROUND PLAN



BT404 COLUMBUS



355



612