

MEC-032 Chime Panel (Recycled) EC-032 Chime Panel (Wood)

Parts List			
DESCRIPTION	MEC-032	EC-032	PART NUMBER
CHIME PANEL	1	1	402826
TOP INNER PANEL	2	2	309876
BOTTOM INNER PANEL	2	2	309878
TOP OUTER PANEL	2	2	309879
BOTTOM OUTER PANEL	2	2	309877
WOOD UPRIGHT	0	2	404247
RECYCLED UPRIGHT	2	0	404242
CHIME PIPE 16 1/2" LG.	1	1	308865
CHIME PIPE 17 1/2" LG.	1	1	308867
CHIME PIPE 18 1/2" LG.	1	1	308869
CHIME PIPE 19 1/2" LG.	1	1	308871
CHIME PIPE 20 1/2" LG.	1	1	308873
CHIME PIPE 21 1/2" LG.	1	1	308875
CHIME PIPE 22 1/2" LG.	1	1	308877
CHIME PIPE 23 1/2" LG.	1	1	308879
-----HARDWARE COMPLETE-----	1	1	402827
6" LANYARD	8	8	300028
12" LANYARD	8	8	300029
3/8" x 5" HEX HEAD BOLT	4	4	801019
3/8" x 3 3/4" P.B.H.C.S. w/PATCH	12	12	812076
3/8" x 1 1/4" P.B.H.C.S. w/PATCH	8	8	812051
3/8" x 1/2" P.B.H.C.S. w/PATCH	8	8	812049
3/8" FLAT WASHER	12	12	817410
3/8" INTERNAL TOOTH LOCKWASHER	8	8	817200
3/8" LOCK NUT	4	4	804353
3/8" LOCK WASHER	8	8	817334
3/8" HEX NUT	8	8	804053
3/8" T-NUT	8	8	804556
3/8" BARREL NUT	12	12	804804
10MM DO-NUT CAP	8	8	G032
10MM DO-NUT BASE	8	8	G030

Unless Otherwise Specified, All Units of Measure are Each

Items listed below Hardware Complete line are included with Hardware Complete Number

Warning: During Installation, Hardware And Small Parts Are Choking Hazards For Young Children. Store Unused Parts Appropriately Until Assembly Is Completed. Once Assembly Is Completed, Remove Any Unused Parts From The Play Environment And Dispose/Save Them In A Secure Location. Any bolt end protruding more than two full threads beyond the face of the nut causes risk of clothing entanglement. Promptly cut-off flush, file smooth, and treat to prevent corrosion.

Note: Peen Tee-Nuts and Flatwashers to match radius of pipe after assembly is complete.

Note: Loctite (supplied by others) should be used on any non-patch hardware.

MEC-032 Chime Panel (Recycled) EC-032 Chime Panel (Wood)

MAINTENANCE PROCEDURE:

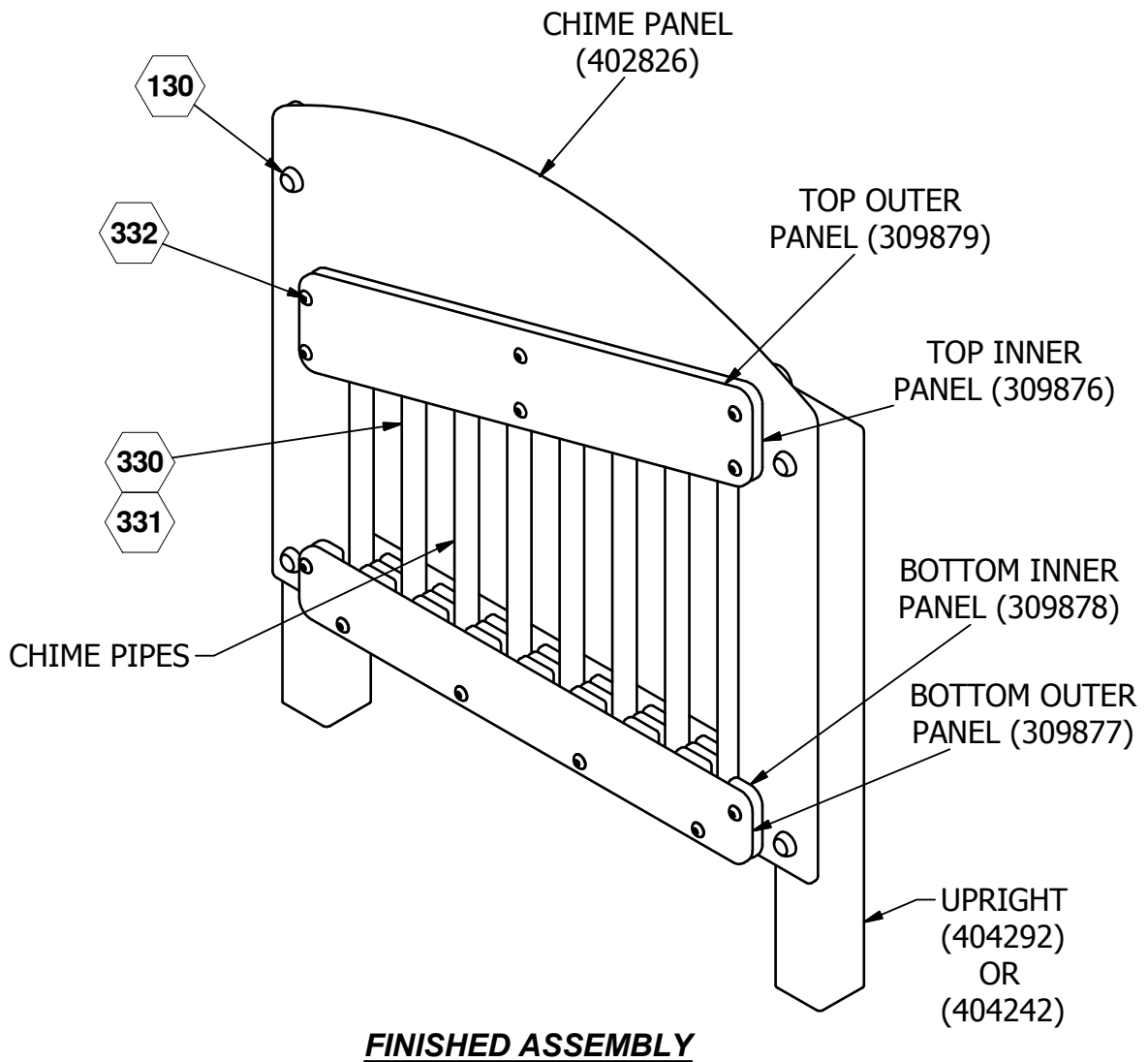
Periodically check hardware for tightness, and tighten as necessary. Always check all parts for breakage or wear, and immediately put equipment out of service until any faulty parts found are repaired or replaced. Also Check all metal parts for rust, paint loss and touch-up if necessary with paint. Check for welded areas and verify integrity. Check periodically resilient surfacing for appropriate depth and remove extraneous materials that could cause injury, infection, or disease. Maintain detailed installation, inspection, maintenance, and repair records for each public-use playground equipment.

INSTALLATION INSTRUCTIONS:

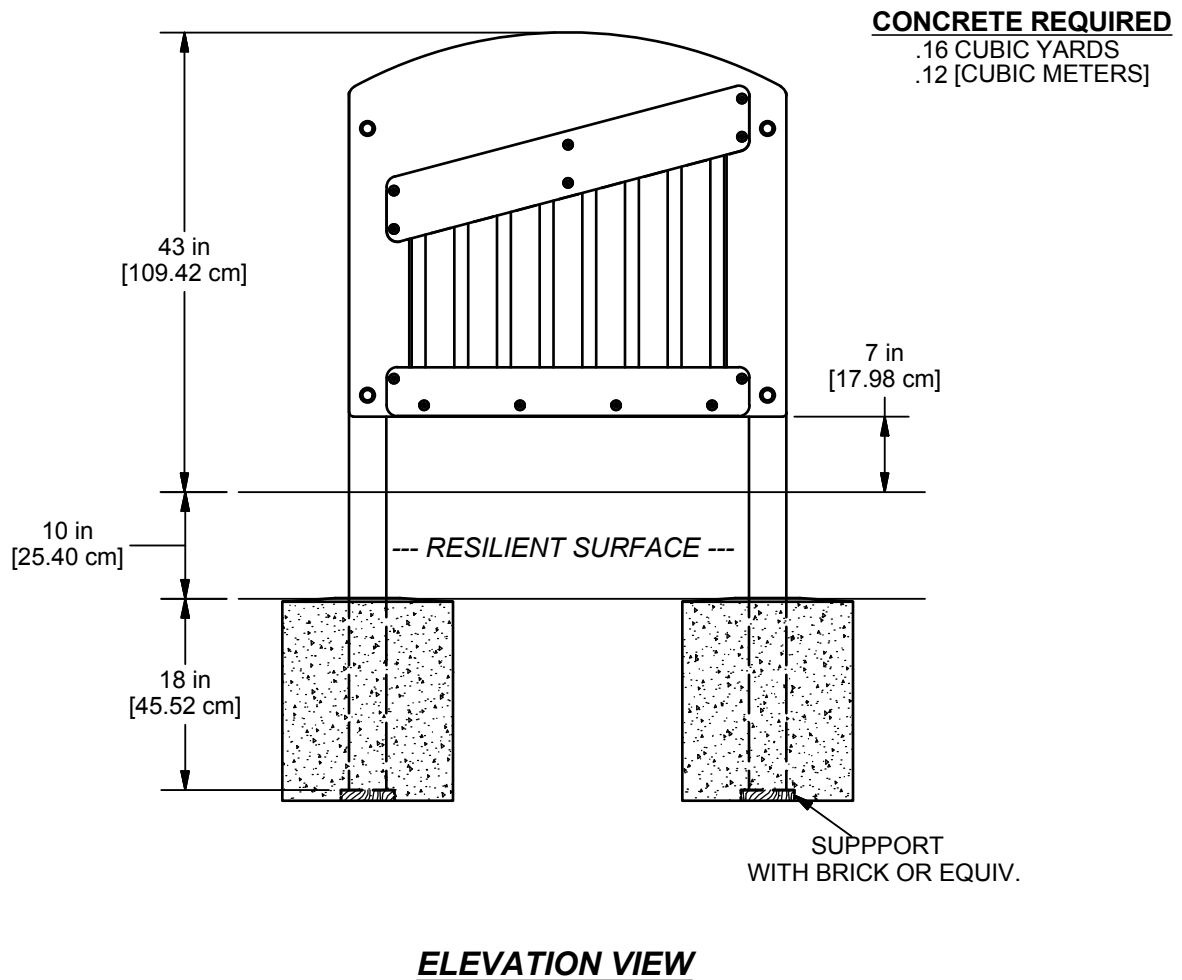
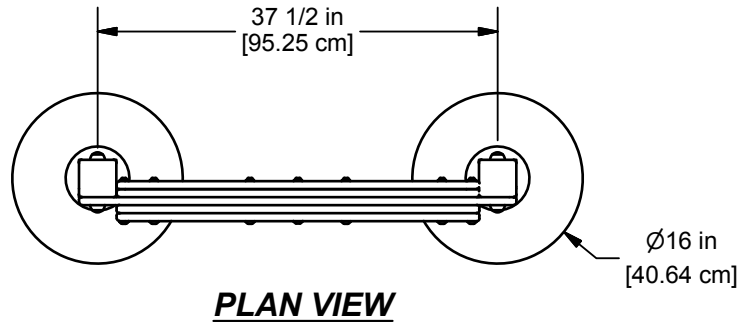
1. Dig footing holes as shown in Elevation and Plan Views.
2. Locate Uprights and attach Activity Panel using 3/8" x 5" Hex Head Bolt , 3/8" Internal Tooth Lock Washer, 3/8" Lock Nut, Do-Nut Base 10mm and Do-Nut Cap 10mm as shown in Detail 130. See Plan View for orientation.
3. Attach 3/8" x 1/2" P.B.H.C.S. w/Patch and 3/8" Hex Nut to one end of each 12" Lanyard. As shown Detail 331.
4. Starting with shortest chime pipe. Loop 6" Lanyard thru hanging hole in panel. Attach chime pipe to loops of the 6" Lanyard using 3/8" x 1 1/2" P.B.H.C.S. w/Patch, 3/8" Lockwasher and 3/8" T-Nut (NOTE: Loops of 6" Lanyard to be on inside of chime pipe). The 3/8" x 1 1/2" P.B.H.C.S. will pass thru open end of 12" Lanyard. The 12" Lanyard should hang freely inside of pipe. See Detail 330. Repeat for all chime pipes.
5. Attach all bracing panels as shown in Detail 332.
6. Attach the Chime Panel to Upright Posts using Panel Clamps, 3/8" x 1-1/2" P.B.H.C.S. w/Patch with 3/8" Flat Washers and 3/8" Barrel Nuts. As shown in Detail 030.
7. Insert Anchor Rods through the bottom hole of the Uprights.
8. Plumb and level the entire assembly and tighten all fasteners.
9. After entire unit is assembled, pour concrete footings within 4" to the top and taper away from post for water drainage. Allow to cure at least 48 hours before use. Temporary bracing may be required until concrete cures.
10. When the structure is finished and satisfactory, eliminate sharp points and sharp edges (burring) on installed hardware like bolts, nuts etc. Install resilient surfacing material within the use zone of play structure in accordance with ASTM specifications F1292 appropriate for the fall height of each structure. Refer to the safety guidelines.

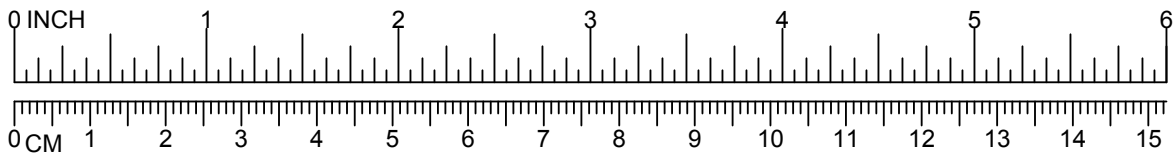
MEC-032 Chime Panel (Recycled)
EC-032 Chime Panel (Wood)

 = INSTALLATION DETAIL



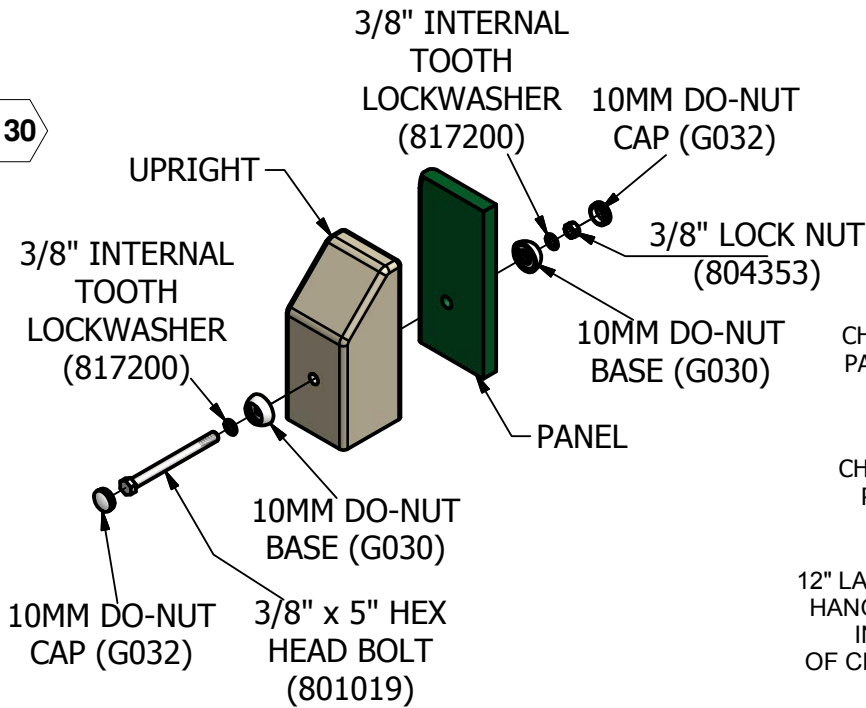
MEC-032 Chime Panel (Recycled)
EC-032 Chime Panel (Wood)



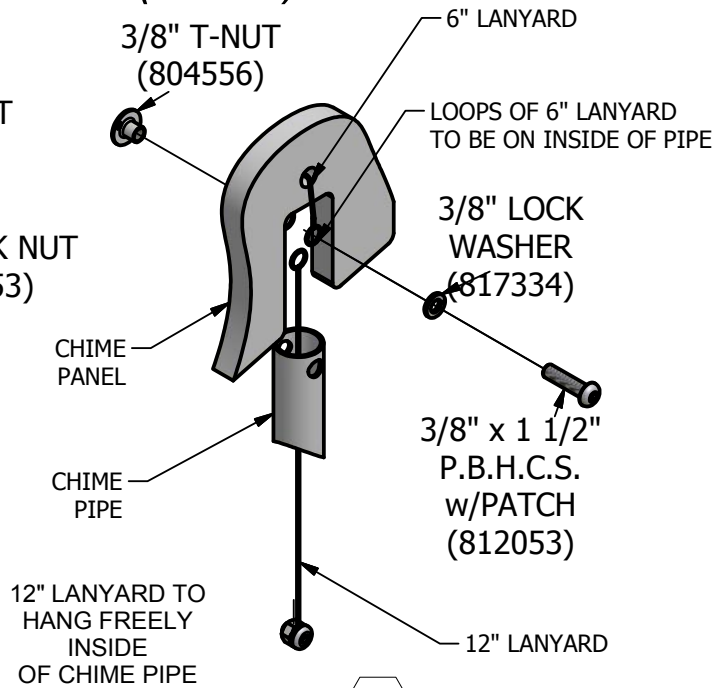


MEC-032 Chime Panel (Recycled) EC-032 Chime Panel (Wood)

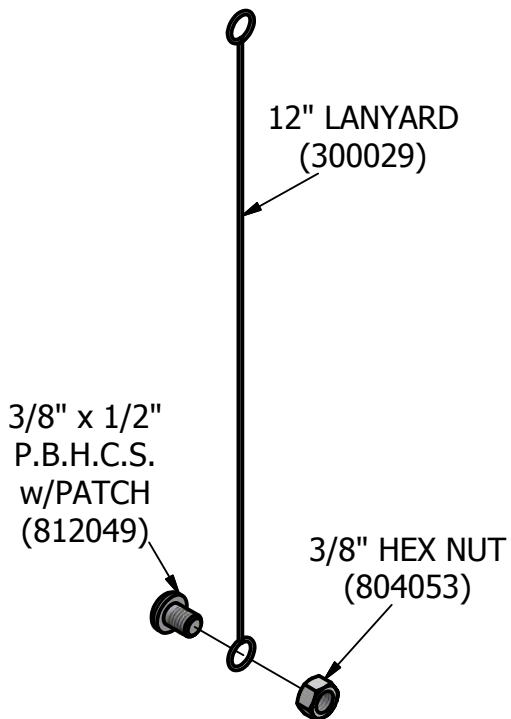
130



330



331



332

