

EC129A Accessible Scoop Digger

PARTS LIST

DESCRIPTION	No. REQ'D	PART NUMBER
Base Assembly	1	179695*
Ground Post	1	179638
Left Arm	1	179249*
Right Arm	1	178474*
Horizontal Arm	1	179244*
Backhoe Casting	1	177720*
<i>Hardware Complete</i>	1	179251
Bronze Thrust Washer	2	818389
3/8" x 3/4" P.B.H.C.S. w/Patch	3	812052
3/8" Flatwasher (1 1/4" O.D.)	2	817424
3/8" Lockwasher	3	817334
3/8" Barrel Nut	1	804804
1/2" Flatwasher	1	817412
1/2" Lockwasher	1	817342
1/2" x 2 1/2" Shoulder Bolt	2	802734
1/2" x 1 1/4" Shoulder Bolt	1	802726
Bushing	1	102820
Anchor Rod	1	135038
3/8" Pin-In Torx Bit	1	812655

*** Included in 402818 Package**

Unless Otherwise Specified, All Units of Measure are Each

Items listed below Hardware Complete line are included with Hardware Complete Number

Warning: During Installation, Hardware And Small Parts Are Choking Hazards For Young Children. Store Unused Parts Appropriately Until Assembly Is Completed. Once Assembly Is Completed, Remove Any Unused Parts From The Play Environment And Dispose/Save Them In A Secure Location. Any bolt end protruding more than two full threads beyond the face of the nut causes risk of clothing entanglement. Promptly cut-off flush, file smooth, and treat to prevent corrosion.

Note: Peen Tee-Nuts and Flatwashers to match radius of pipe after assembly is complete.

Note: Loctite (supplied by others) should be used on any non-patch hardware.

SPECIFICATIONS

BASE ASSEMBLY: Shall be fabricated from 2 3/8" O.D. galvanized pipe for ground post and 1 3/8" stainless steel machined rod for arms. The assembly shall be an all-welded construction.

BACKHOE CASTING: Shall be cast from high tensile strength aluminum.

GROUND POST: Shall be fabricated of 2-3/8" O.D. galvanized pipe with a stainless steel machined top. The assembly shall be an all-welded construction.

LEFT ARM: Shall be fabricated from 1-1/16" O.D. galvanized pipe and 1" O.D. DOM tubing in an all-welded construction.

RIGHT ARM: Shall be fabricated from 1-1/16" O.D. galvanized pipe, 1" O.D. DOM tubing and 3/16" H.R. steel formed bracket in an all-welded construction.

HORIZONTAL ARM ASS'Y: Shall be fabricated from 1-1/16" galvanized pipe in an all-welded construction.

FINISH: Shall be a bright powder coat finish.

HARDWARE: All nuts, bolts, screws, inserts, and lockwashers used in the assembly of all play equipment, shall be stainless steel, yellow dichromate plated steel, blue-coat plated steel, mechanically galvanized or powder coated/yellow dichromate plated steel. All primary fasteners shall be 300 series stainless steel. Fasteners with yellow dichromate treatment have an electro-deposited, 99.9% pure zinc substrate applied from a specially formulated solution sealed with a yellow dichromate top coat designed to work in conjunction with the zinc plating. Yellow dichromate has a 320% longer life to white corrosion and 275% longer to red corrosion than does hot-dip galvanizing.

NOTE: All weights are based on average comparisons of each part.

SPECIFICATIONS: BigToys has a policy of continuous improvement and reserves the right to discontinue or change specifications without notice.

EC129A Accessible Scoop Digger

INSTALLATION INSTRUCTIONS:

NOTE: THIS INSTALLATION BOOKLET SHOULD BE KEPT IN CUSTOMER'S FILE FOR FUTURE REFERENCE.

NOTE: Do not overtighten bolts. To overtighten may cause buckling or dimpling of some parts.

NOTE: Read installation instructions thoroughly before starting assembly.

NOTE: Do not tighten any nuts, bolts, rods, etc. until the unit is completely assembled.

STEP 1: Dig a 2'-6" [76.20cm] deep x 1'-6" [45.72cm] diameter hole. Place a brick or equivalent at the bottom of hole to help support the upright. Allow for this in hole depth. Dig out for sand pit approximately 0'-10" [25.40cm] deep x 3'-9" [114.30cm] radius. See Front View.

STEP 2: Insert anchor rod into ground post. Place ground post in hole so that machined end is at the top of upright. Be sure that cut out slot in ground post faces in the opposite direction from the intended area for the sand pit. Fill hole with concrete to within 1'-0" [30.48cm] of ground level and cover concrete with 0'-2" [5.08cm] of backfill. Check to make sure post is level and plumb. Allow 48 hours minimum for concrete to cure and harden.

STEP 3: Slide Base Assembly over ground post. See Detail A.

STEP 4: Attach right and Left Arms to Base Assembly using hardware shown in detail. See Detail B.

STEP 5: Attach Horizontal Arm to the bracket welded on the Right Arm. See Detail C.

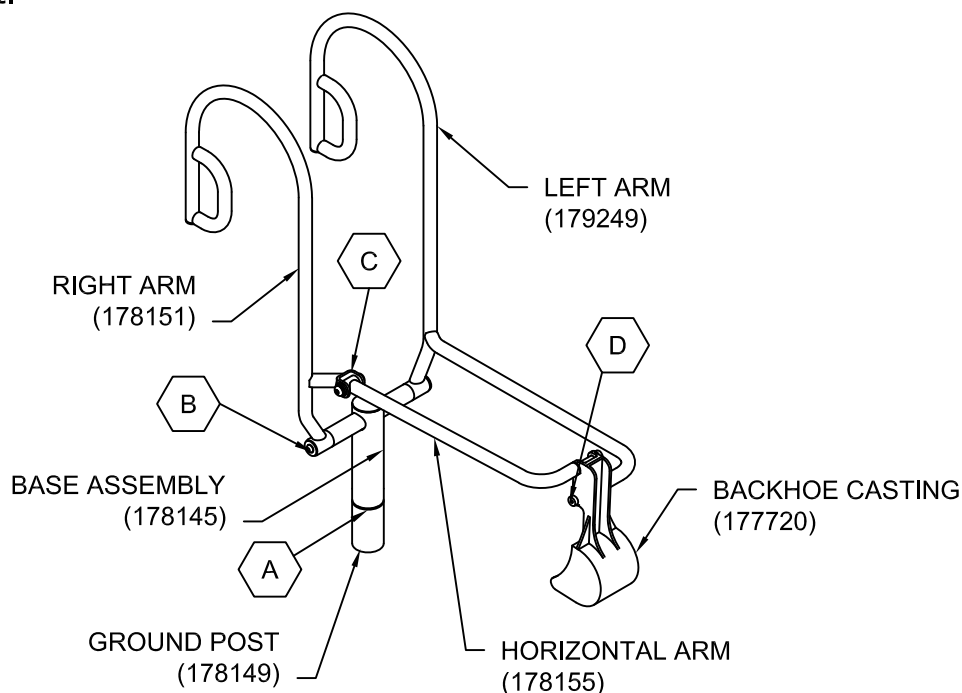
STEP 6: Attach Shovel Casting to the end of the Horizontal Arm and the Left Arm as shown in Detail D.

NOTE: Due to extremes in weather and soil conditions, hole sizes may have to be increased to meet local conditions.

NOTE: Loctite (supplied by others) should be used on all threaded hardware.

MAINTENANCE PROCEDURE:

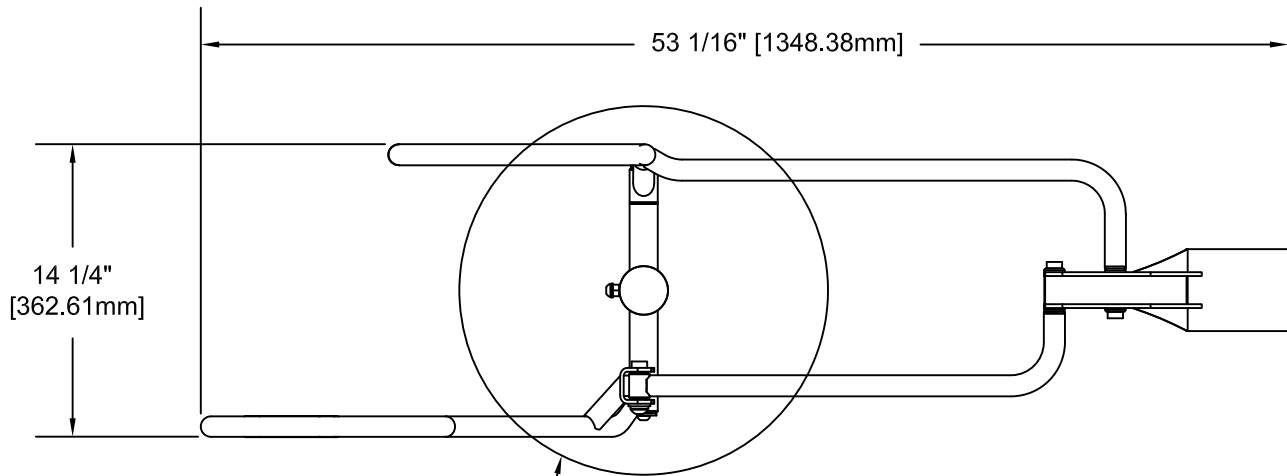
Periodically check hardware for tightness, and tighten as necessary. Always check all parts for breakage or wear, and immediately put equipment out of service until any faulty parts found are repaired or replaced. Also Check all metal parts for rust, paint loss and touch-up if necessary with paint. Check for welded areas and verify integrity. Check periodically resilient surfacing for appropriate depth and remove extraneous materials that could cause injury, infection, or disease. Maintain detailed installation, inspection, maintenance, and repair records for each public-use playground equipment.



 = INSTALLATION DETAIL

ASSEMBLY DRAWING

EC129A Accessible Scoop Digger



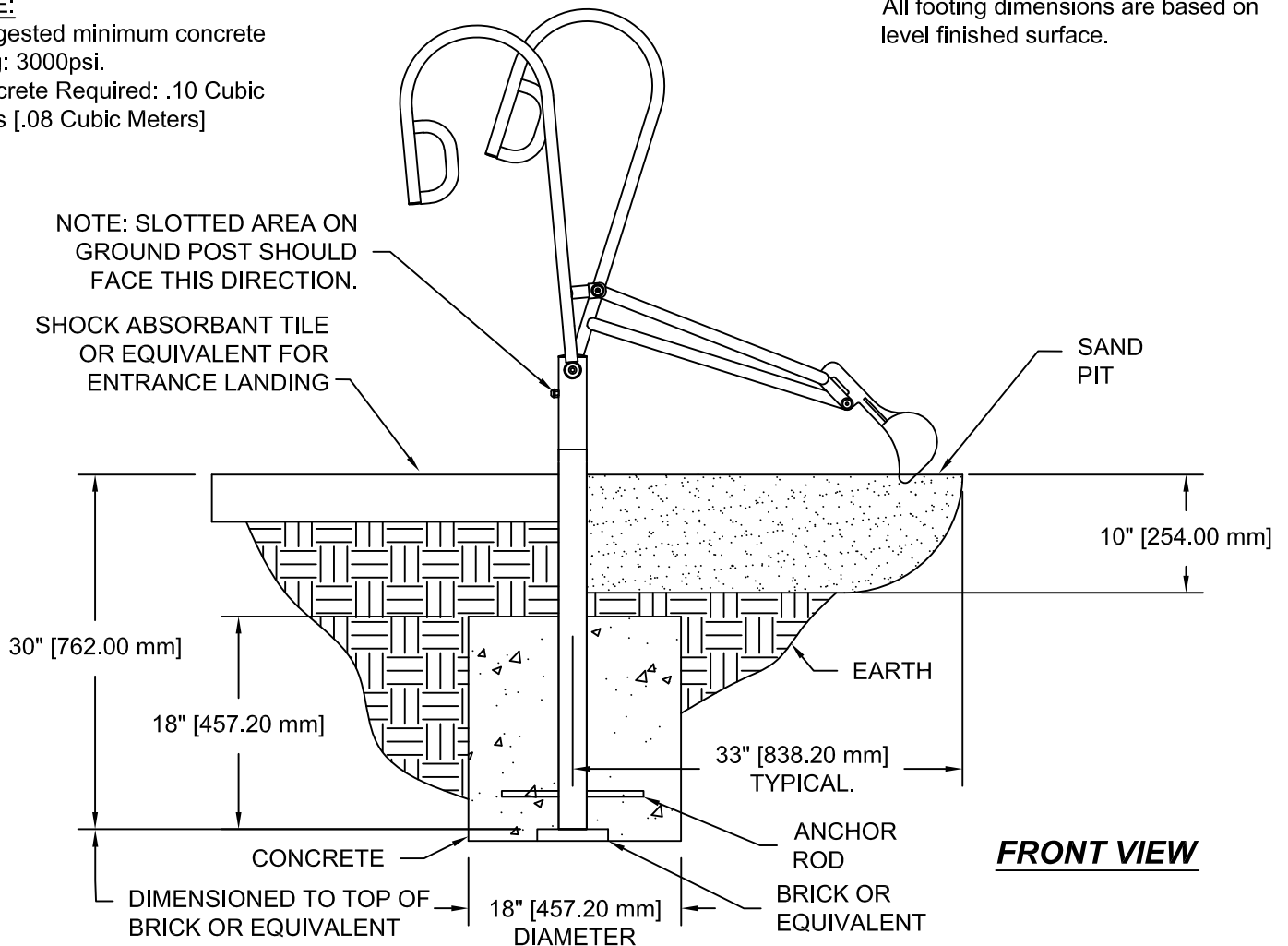
1'-6" [45.72cm] DIA. x
2'-6" [76.20cm] DEEP

TOP VIEW

NOTE: Hole depths indicated on all ground plans are measured from the finished surface. See Footing Detail. All footing dimensions are based on level finished surface.

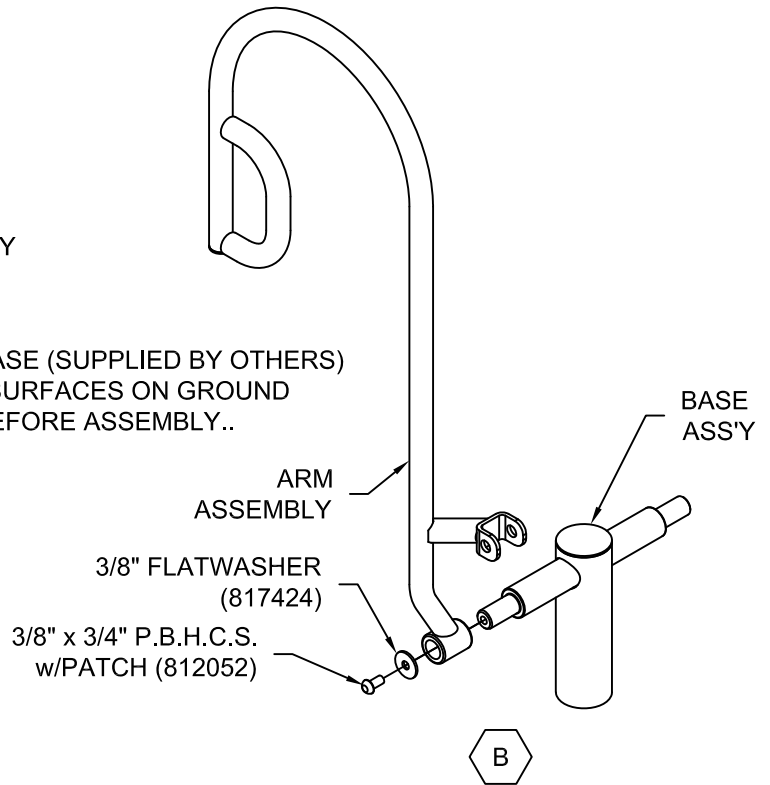
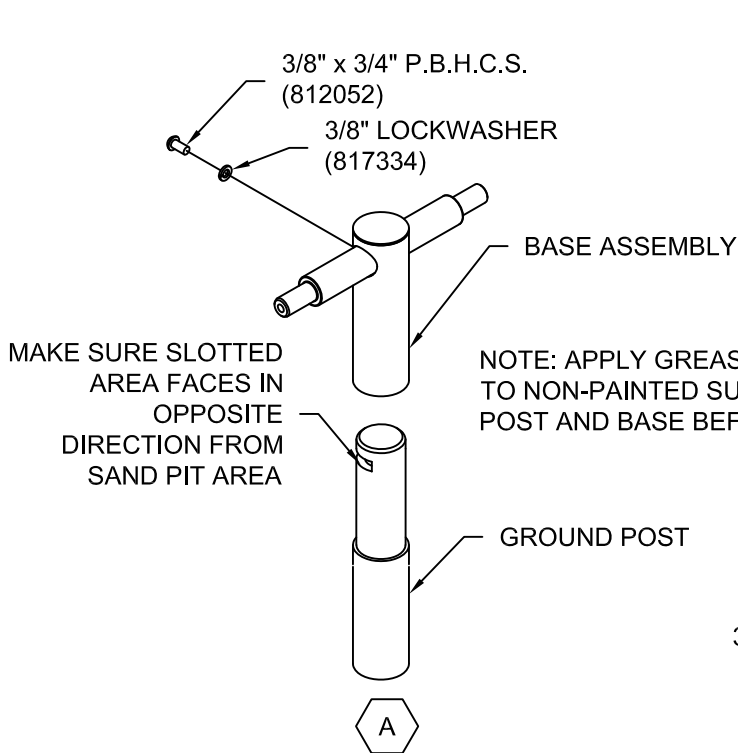
NOTE:

- Suggested minimum concrete rating: 3000psi.
- Concrete Required: .10 Cubic Yards [.08 Cubic Meters]



FRONT VIEW

EC129A Accessible Scoop Digger



NOTE: APPLY LOCTITE (SUPPLIED BY OTHERS) TO ALL NON-PATCH HARDWARE.

