

Mfg. by Advantage Panels & Fence, Inc.

MYTCOAT

Commercial Outdoor Furniture

www.mytcoat.com

PROPRIETARY AND CONFIDENTIAL

THE INFORMATION CONTAINED IN THIS DRAWING IS THE SOLE PROPERTY OF Advantage Panels & Fence, Inc. PO Box 1790 Whitney, TX. ANY REPRODUCTION IN PART OR AS A WHOLE WITHOUT THE WRITTEN PERMISSION OF Advantage Panels & Fence, Inc. PO Box 1790 Whitney, TX. IS PROHIBITED.

	NAME	DATE
DRAWN	GM	12/7/2016
SALES APPR.		
CLIENT APPR.		
MFG APPR.		
Q.A.		

Design By -

CADWorksPro
Chicago, IL

www.cadworkspro.com

AAdvantage Panels & Fence, Inc.

TITLE:

Dog Climb

SIZE
A

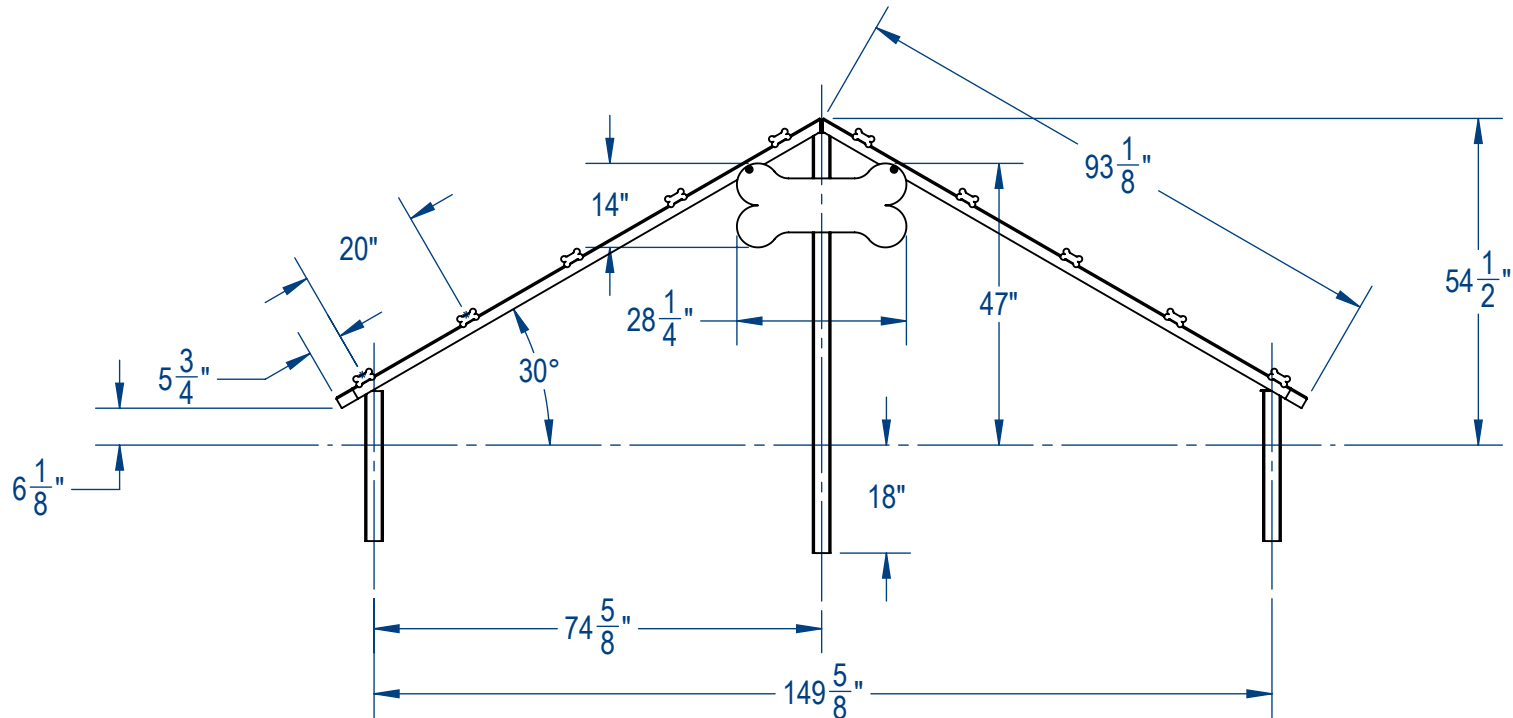
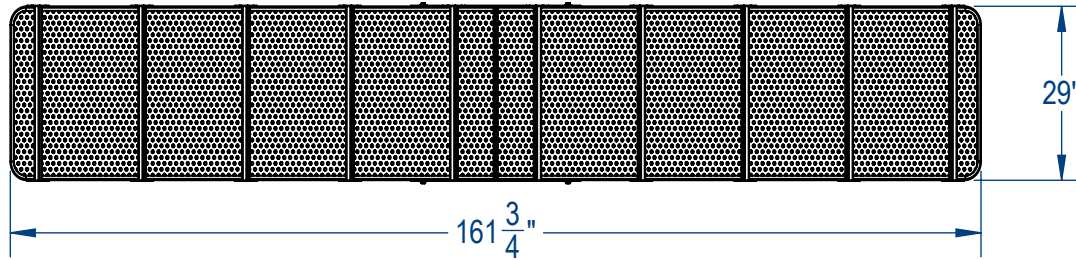
DWG. NO.

?????

REV

WEIGHT:

SHEET 1 OF 2



	NAME	DATE
DRAWN	GM	12/7/2016
SALES APPR.		
CLIENT APPR.		
MFG APPR.		
Q.A.		

AAdvantage Panels & Fence, Inc.

TITLE:
Dog Climb
Dimensional Specs

Design By -
CADWorksPro
Chicago, IL
www.cadworkspro.com

SIZE	DWG. NO.	REV
A	?????	
WEIGHT:		SHEET 2 OF 2



Mfg. by Advantage Panels & Fence, Inc.

Mytcoat

Commercial Outdoor Furniture

www.mytcoat.com

PROPRIETARY AND CONFIDENTIAL

THE INFORMATION CONTAINED IN THIS DRAWING IS THE SOLE PROPERTY OF Advantage Panels & Fence, Inc. PO Box 1790 Whitney, TX. ANY REPRODUCTION IN PART OR AS A WHOLE WITHOUT THE WRITTEN PERMISSION OF Advantage Panels & Fence, Inc. PO Box 1790 Whitney, TX. IS PROHIBITED.