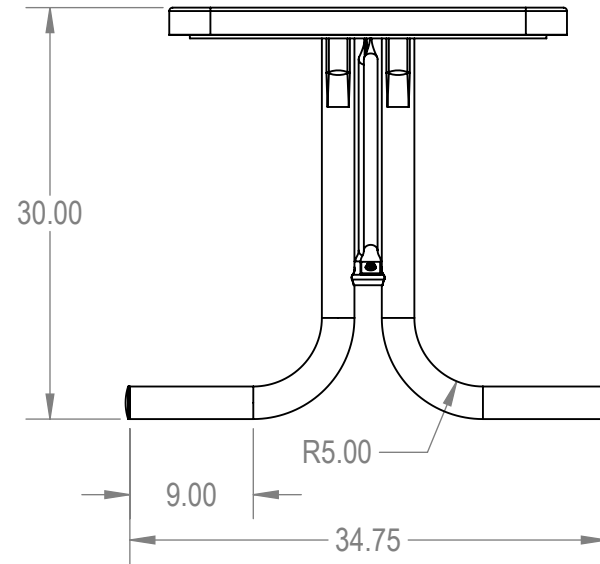
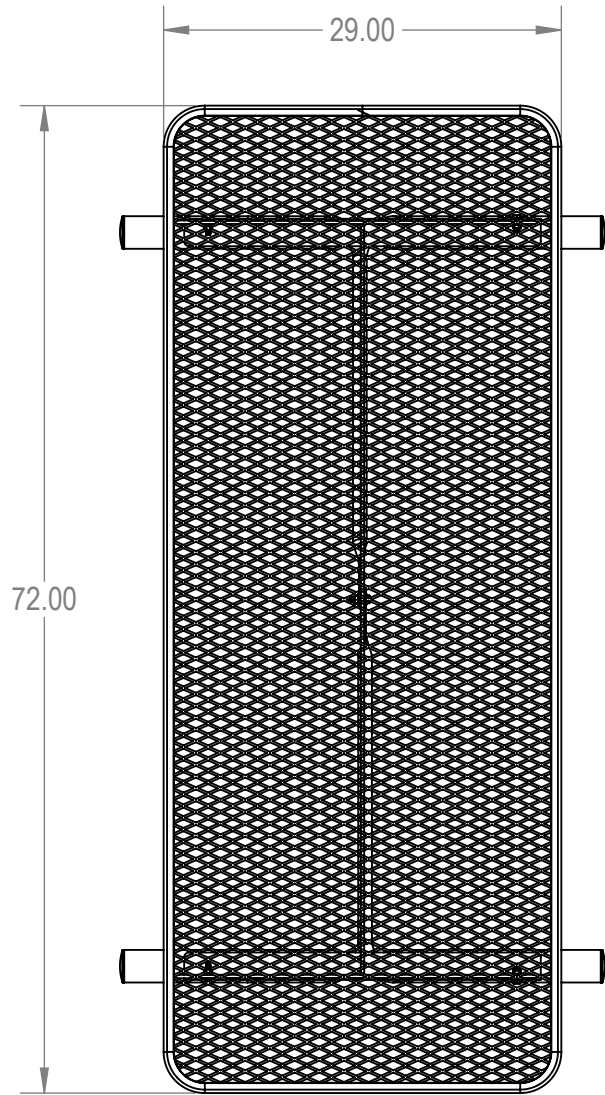


Model Numbers:

TRT06-A-03-000 - Advantage Coating

TRT06-C-03-000 - Industry Standard Coating



Mfg. by Advantage Panels & Fence, Inc.

**MYTCOAT**

Commercial Outdoor Furniture

[www.mytcoat.com](http://www.mytcoat.com)

**PROPRIETARY AND CONFIDENTIAL**

THE INFORMATION CONTAINED IN THIS DRAWING IS THE SOLE PROPERTY OF Advantage Panels & Fence, Inc. PO Box 1790 Whitney, TX. ANY REPRODUCTION IN PART OR AS A WHOLE WITHOUT THE WRITTEN PERMISSION OF Advantage Panels & Fence, Inc. PO Box 1790 Whitney, TX. IS PROHIBITED.

	NAME	DATE
DRAWN	GM	1/3/2016
SALES APPR.		
CLIENT APPR.		
MFG APPR.		
Q.A.		

Design By -

CADWorksPro  
Chicago, IL

[www.cadworkspro.com](http://www.cadworkspro.com)

**AAdvantage Panels & Fence, Inc.**

TITLE:

**6' Rectangular Utility Table**

**Expanded Metal**