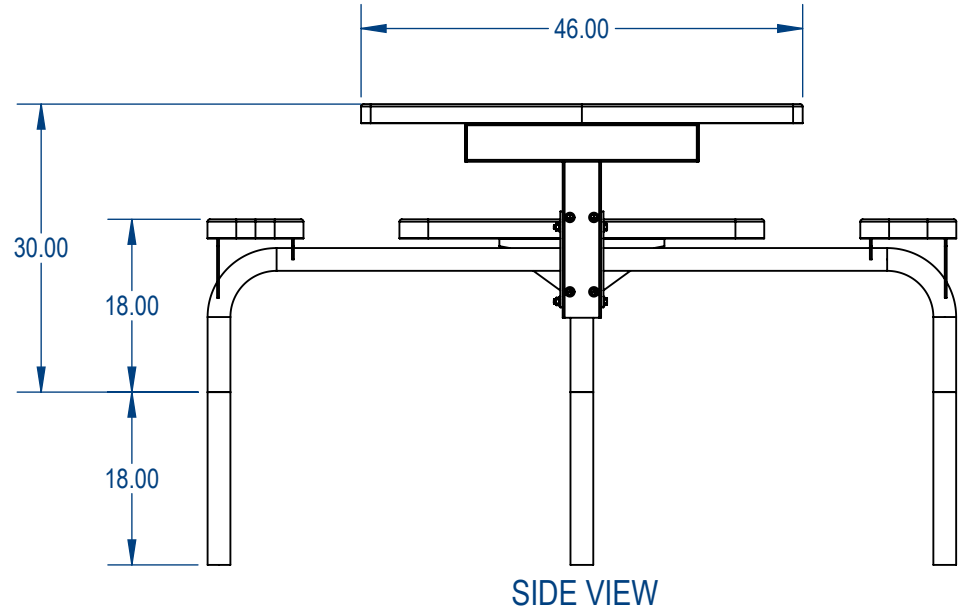
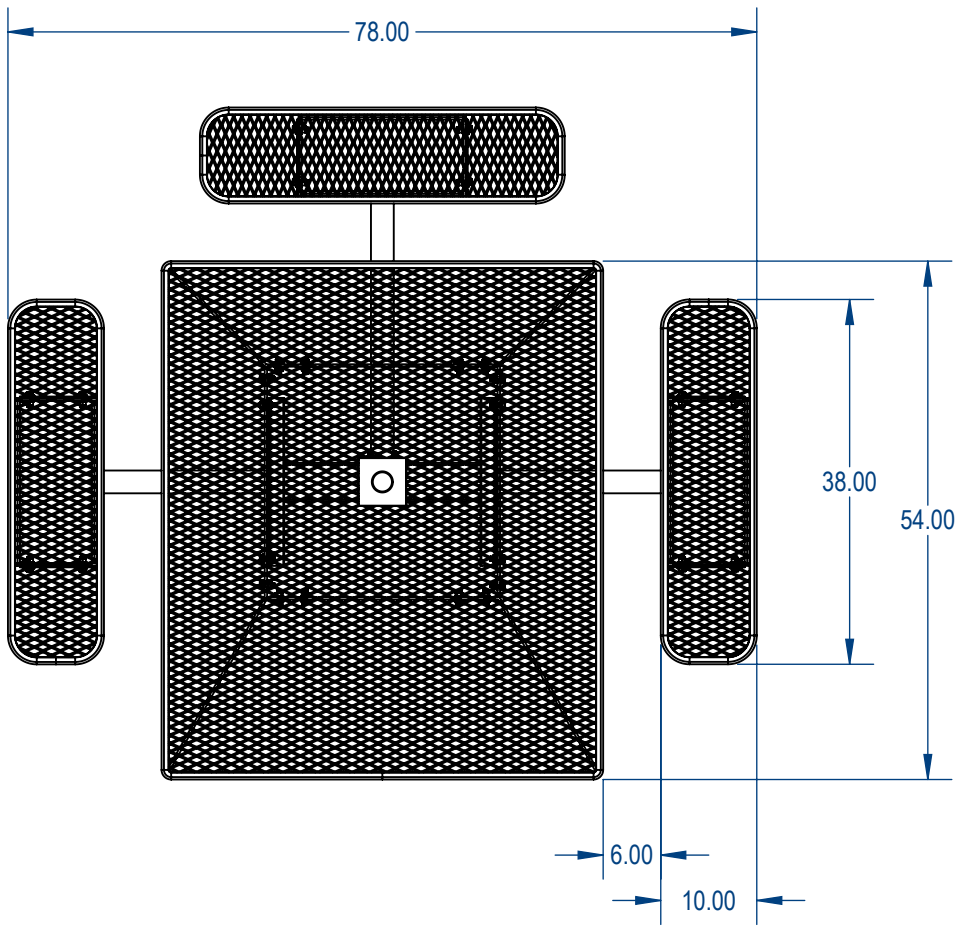


TOP VIEW



SIDE VIEW



Mfg. by Advantage Panels & Fence, Inc.

**MYTCOAT**

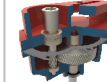
Commercial Outdoor Furniture

[www.mytcoat.com](http://www.mytcoat.com)

**PROPRIETARY AND CONFIDENTIAL**  
 THE INFORMATION CONTAINED IN THIS DRAWING IS THE SOLE PROPERTY OF Advantage Panels & Fence, Inc. PO Box 1790 Whitney, TX. ANY REPRODUCTION IN PART OR AS A WHOLE WITHOUT THE WRITTEN PERMISSION OF Advantage Panels & Fence, Inc. PO Box 1790 Whitney, TX. IS PROHIBITED.

	NAME	DATE
DRAWN	GM	6/3/2016
SALES APPR.		
CLIENT APPR.		
MFG APPR.		
Q.A.		

Design By -



**CADWorksPro**  
 design studio  
[gilm@cadworkspro.com](mailto:gilm@cadworkspro.com)  
 1147 Brook Forest Ave | Suite 228 | Shorewood, IL 60404

**AAdvantage Panels & Fence, Inc.**

TITLE:  
**Nexus Style Square Table**  
 Expanded Metal Version

SIZE	DWG. NO.	REV
<b>A</b>	<b>NSST3IGM-002</b>	

WEIGHT: SHEET 2 OF 3