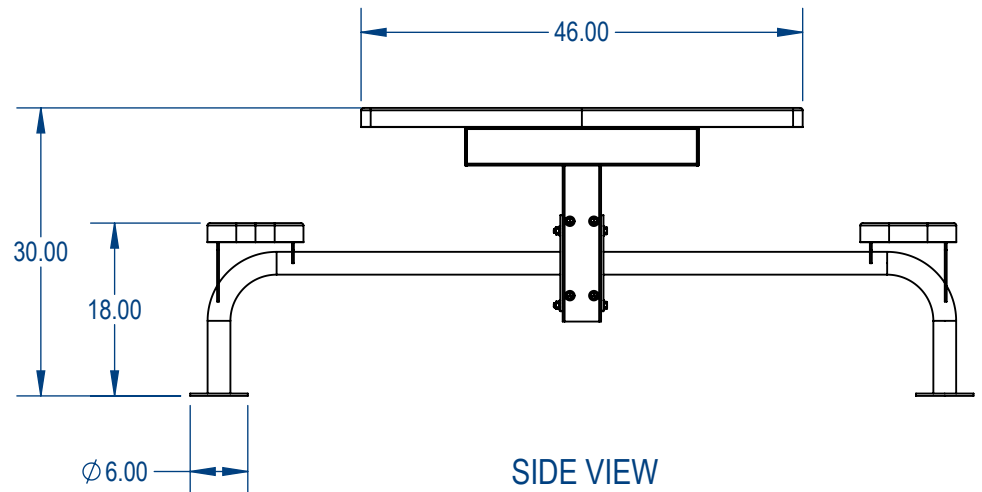
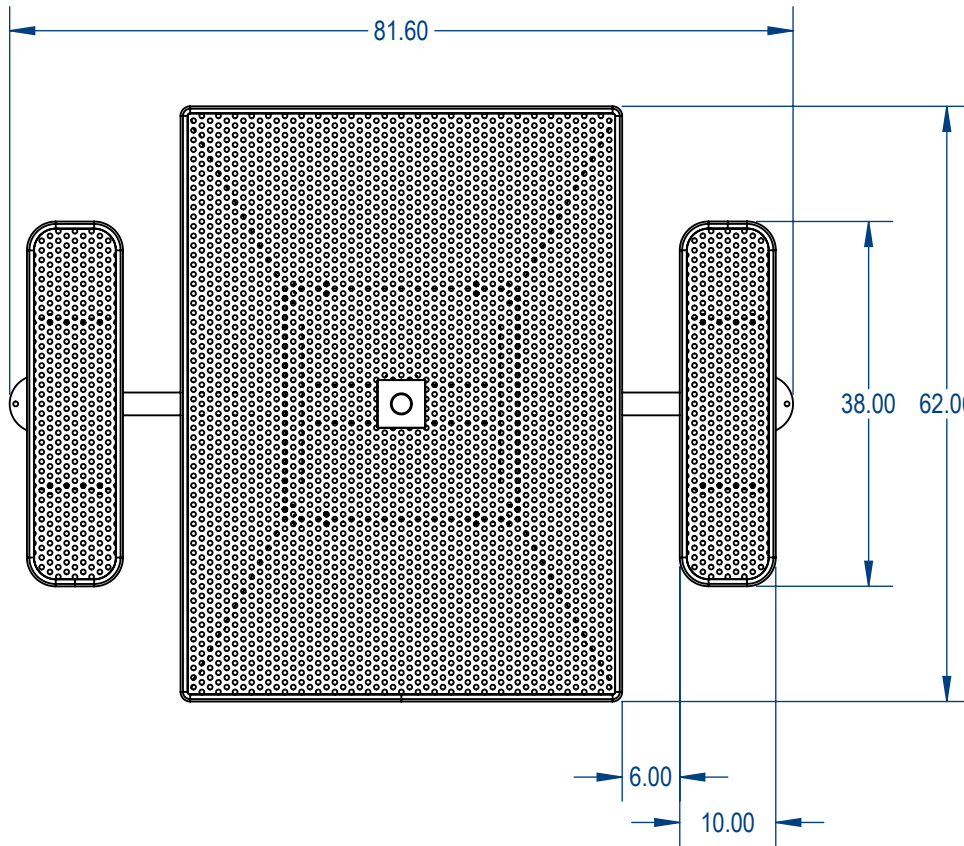


TOP VIEW



SIDE VIEW



Mfg. by Advantage Panels & Fence, Inc.

MYTCOAT

Commercial Outdoor Furniture

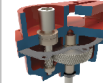
www.mytcoat.com

PROPRIETARY AND CONFIDENTIAL

THE INFORMATION CONTAINED IN THIS DRAWING IS THE SOLE PROPERTY OF Advantage Panels & Fence, Inc. PO Box 1790 Whitney, TX. ANY REPRODUCTION IN PART OR AS A WHOLE WITHOUT THE WRITTEN PERMISSION OF Advantage Panels & Fence, Inc. PO Box 1790 Whitney, TX. IS PROHIBITED.

	NAME	DATE
DRAWN	GM	6/3/2016
SALES APPR.		
CLIENT APPR.		
MFG APPR.		
Q.A.		

Design By -



CADWorksPro
design studio

gilm@cadworkspro.com
1147 Brook Forest Ave | Suite 228 | Shorewood, IL 60404

AAdvantage Panels & Fence, Inc.

TITLE:

Nexus Style Square Table
Perforated Metal Version

SIZE	DWG. NO.	REV
A	NSST2SSM-003	

WEIGHT:

SHEET 3 OF 3