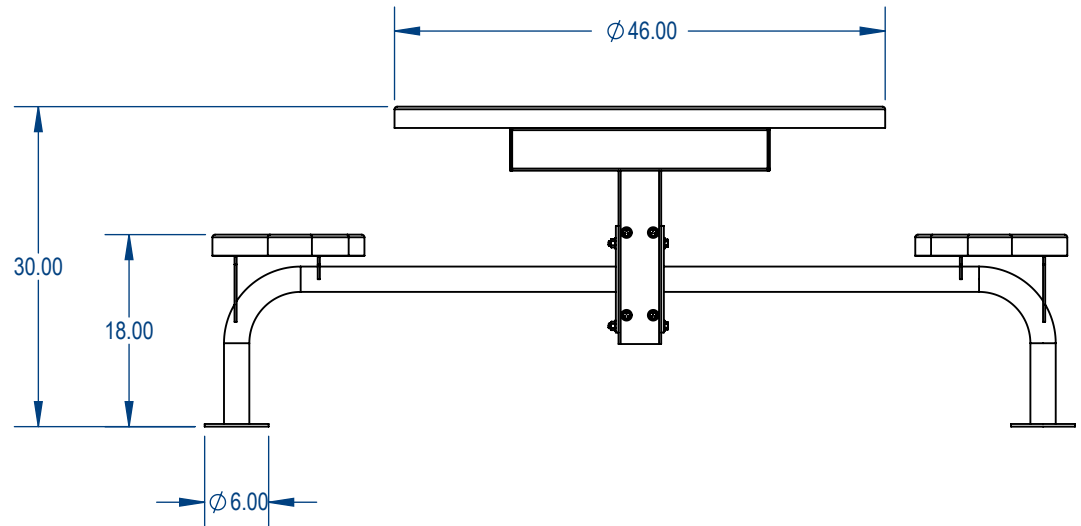
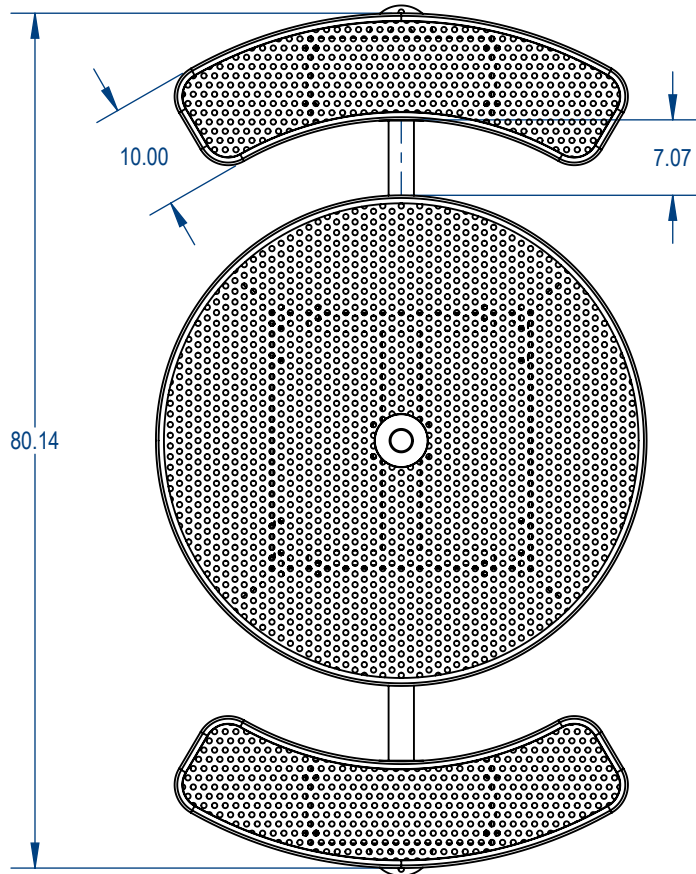


TOP VIEW



SIDE VIEW



Mfg. by Advantage Panels & Fence, Inc.

MyTCoat

Commercial Outdoor Furniture

www.mytcoat.com

PROPRIETARY AND CONFIDENTIAL

THE INFORMATION CONTAINED IN THIS DRAWING IS THE SOLE PROPERTY OF Advantage Panels & Fence, Inc. PO Box 1790 Whitney, TX. ANY REPRODUCTION IN PART OR AS A WHOLE WITHOUT THE WRITTEN PERMISSION OF Advantage Panels & Fence, Inc. PO Box 1790 Whitney, TX. IS PROHIBITED.



CADWorksPro
design studio

gilm@cadworkspro.com
1147 Brook Forest Ave | Suite 228 | Shorewood, IL 60404

	NAME	DATE	AAdvantage Panels & Fence, Inc.	
DRAWN	GM	5/12/2017	TITLE:	
SALES APPR.			Nexus Style Round Table	
CLIENT APPR.			Perforated Metal Version	
MFG APPR.			SIZE	DWG. NO.
Q.A.			A	NSRT2SSM-003
Design By -			REV	
			WEIGHT:	SHEET 3 OF 3