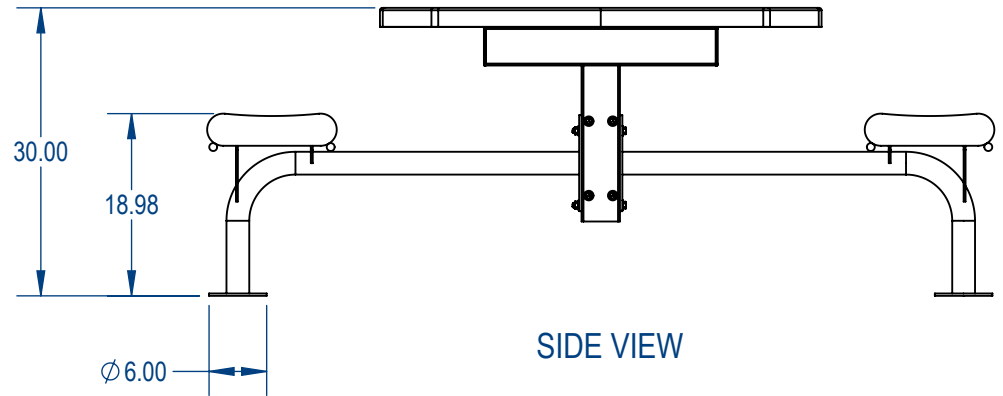
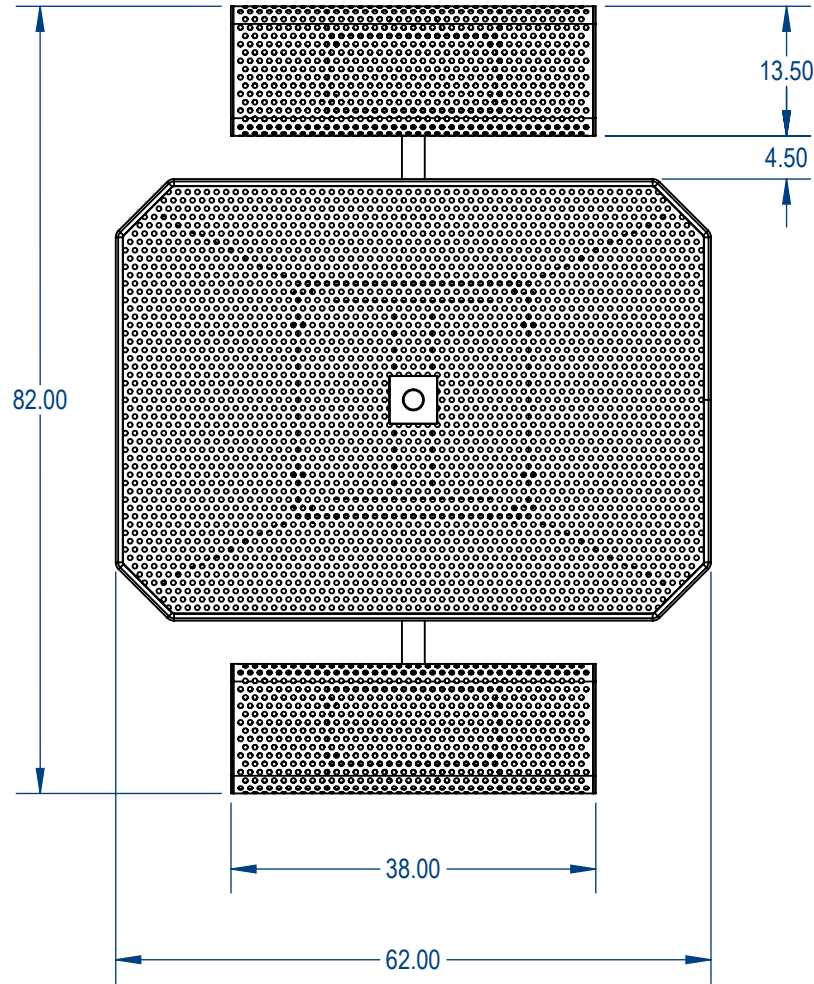


TOP VIEW



Mfg. by Advantage Panels & Fence, Inc.

**MYTCOAT**

Commercial Outdoor Furniture

[www.mytcoat.com](http://www.mytcoat.com)

PROPRIETARY AND CONFIDENTIAL

THE INFORMATION CONTAINED IN THIS DRAWING IS THE SOLE PROPERTY OF Advantage Panels & Fence, Inc. PO Box 1790 Whitney, TX. ANY REPRODUCTION IN PART OR AS A WHOLE WITHOUT THE WRITTEN PERMISSION OF Advantage Panels & Fence, Inc. PO Box 1790 Whitney, TX. IS PROHIBITED.

	NAME	DATE
DRAWN	GM	5/13/2017
SALES APPR.		
CLIENT APPR.		
MFG APPR.		
Q.A.		



Design By -  
 CADWorksPro  
 design studio  
 gilm@cadworkspro.com  
 1147 Brook Forest Ave | Suite 228 | Shorewood, IL 60404

**AAdvantage Panels & Fence, Inc.**

TITLE:  
**Nexus Style Octagon Table**  
 Expanded Metal Version

SIZE	DWG. NO.	REV
<b>A</b>	NSOT2RSSM-003	

WEIGHT: SHEET 3 OF 3