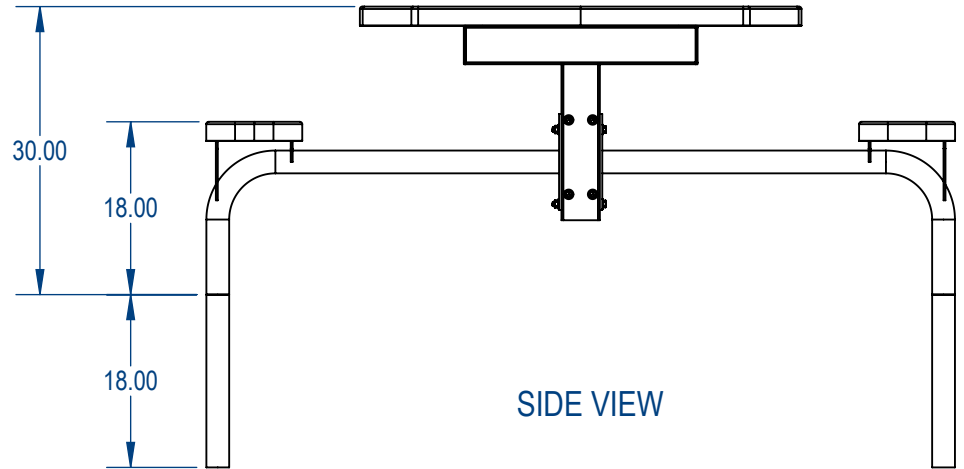
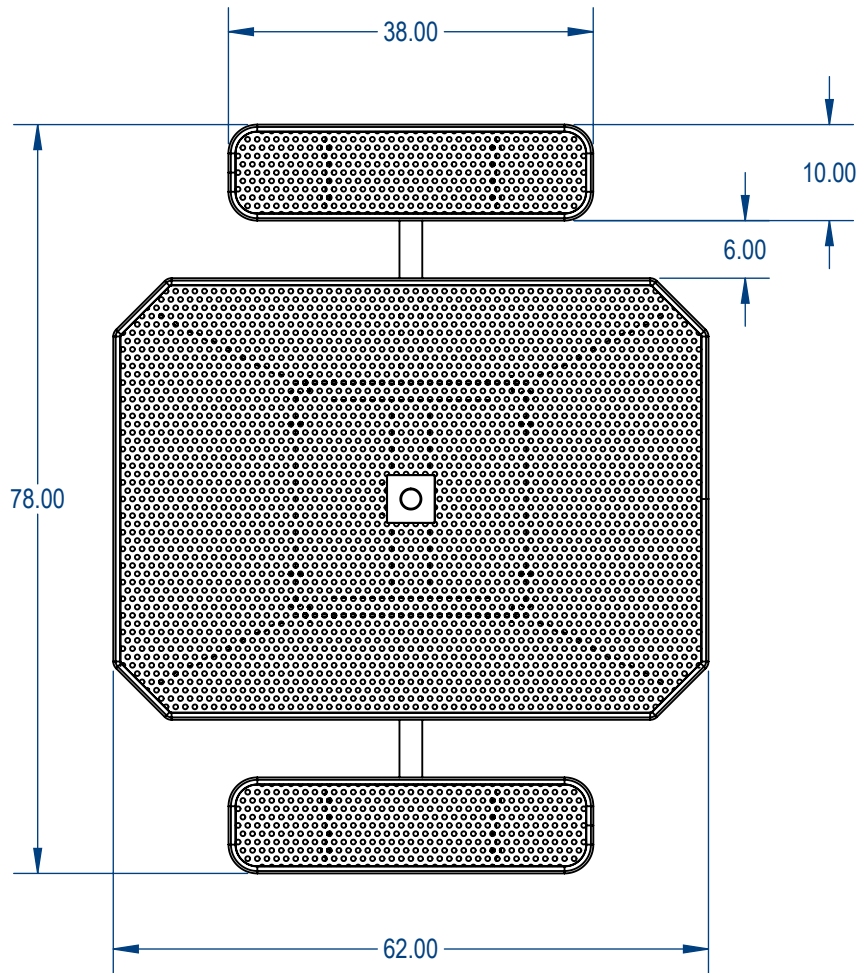


TOP VIEW



SIDE VIEW



Mfg. by Advantage Panels & Fence, Inc.

**MyTCOAT**

Commercial Outdoor Furniture

[www.mytcoat.com](http://www.mytcoat.com)

PROPRIETARY AND CONFIDENTIAL

THE INFORMATION CONTAINED IN THIS DRAWING IS THE SOLE PROPERTY OF Advantage Panels & Fence, Inc. PO Box 1790 Whitney, TX. ANY REPRODUCTION IN PART OR AS A WHOLE WITHOUT THE WRITTEN PERMISSION OF Advantage Panels & Fence, Inc. PO Box 1790 Whitney, TX. IS PROHIBITED.

	NAME	DATE
DRAWN	GM	5/11/2017
SALES APPR.		
CLIENT APPR.		
MFG APPR.		
Q.A.		

Design By -



[gilm@cadworkspro.com](mailto:gilm@cadworkspro.com)  
1147 Brook Forest Ave | Suite 228 | Shorewood, IL 60404

CADWorksPro  
design studio

**AAdvantage Panels & Fence, Inc.**

TITLE:

**Nexus Style Octagon Table**  
**Perforated Metal Version**

SIZE	DWG. NO.	REV
<b>A</b>	<b>NSOT2SIG-003</b>	

WEIGHT:

SHEET 3 OF 3