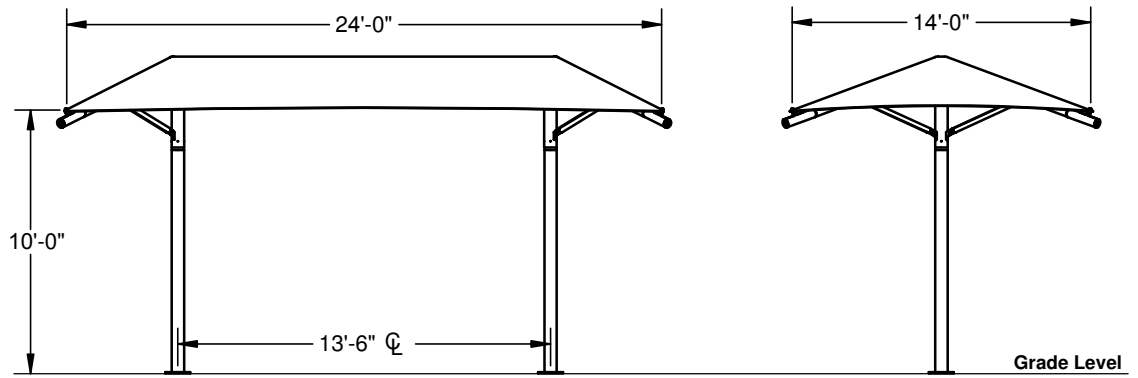


DUAL COLUMN UMBRELLA SHADE

24' x 14' x 10'

MODEL #:  
 RU241410SG (With Glide Elbows)  
 RU241410SN (Without Glide Elbows)

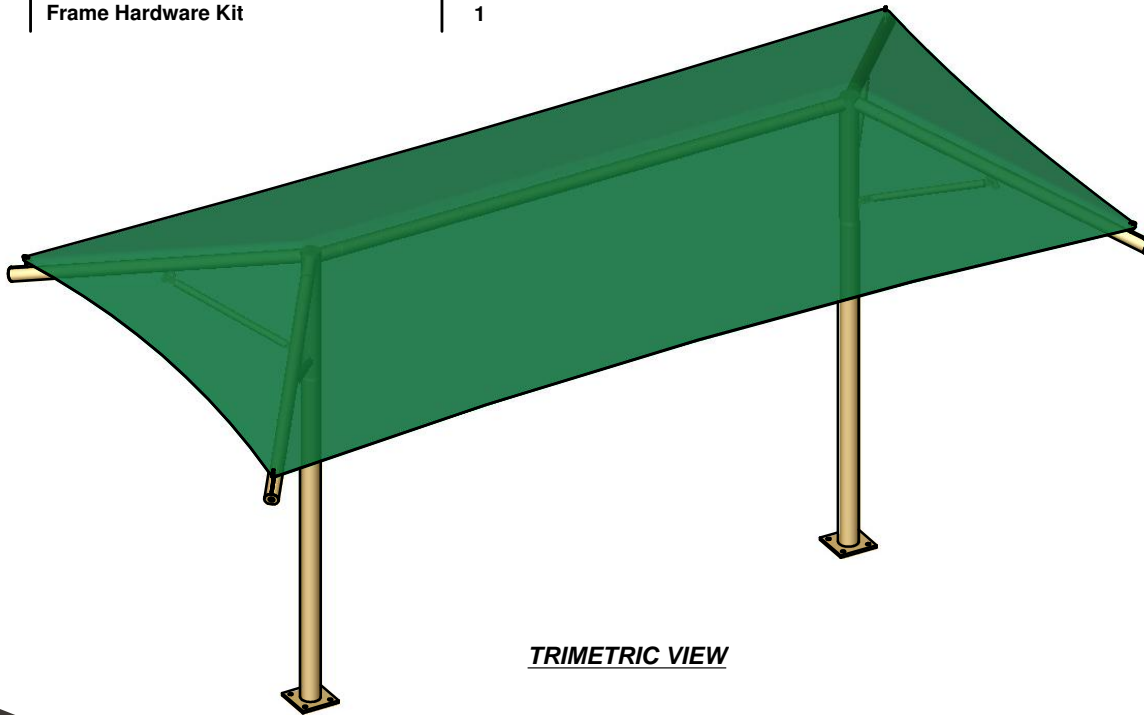


FRONT VIEW

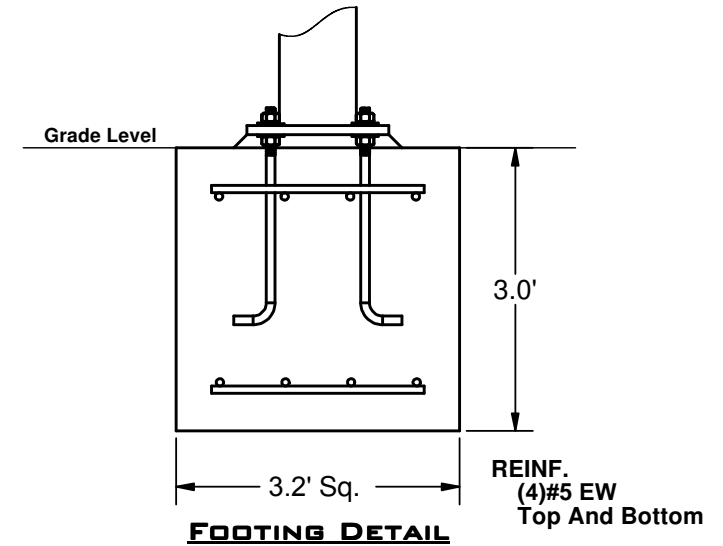
SIDE VIEW

Grade Level

REF.#	PART DESCRIPTION	QTY.
1	Ø5.0" Surface Mount Column	2
2	Ø5.0" Crown - With Three Sockets	2
3	Ø3.5" Rafter - Swaged With Bracket	4
4	Ø3.5" Ridge Pole - Swaged	1
5	Strut - Rigid Fixed	4
6	Fabric Cover w/ Cable Insert	1
7	Frame Hardware Kit	1



TRIMETRIC VIEW



\*Footing design based on 1500 PSF soil bearing pressure.



SUPERIOR  
 RECREATIONAL PRODUCTS

1050 Columbia Drive  
 Carrollton, Georgia  
 1.888.829.8997 | 770.834.2764 (f)

These drawings are for reference only and should not be used as construction details. Materials, fasteners, and foundations are subject to change if professionally sealed engineering drawings are required. Designed for 93 MPH Basic Wind Speed.