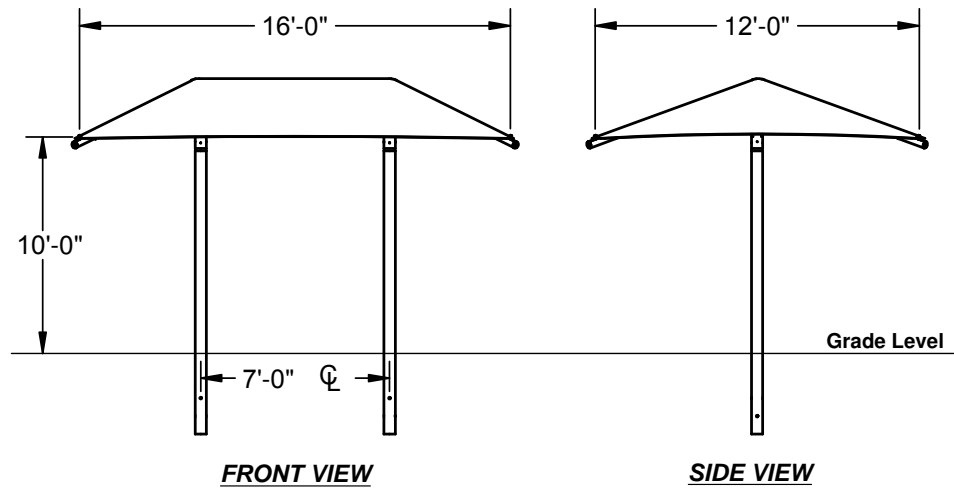


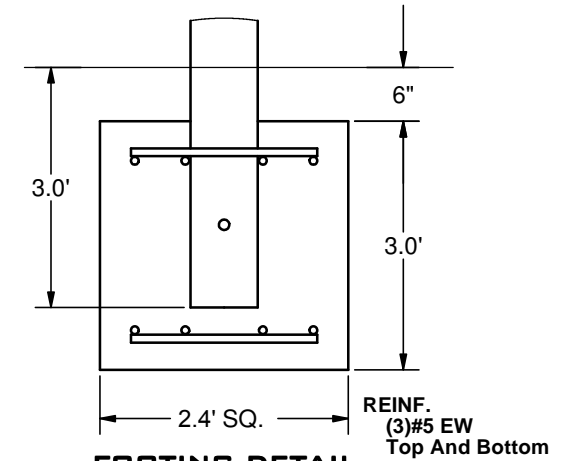
DUAL COLUMN UMBRELLA SHAD

16' x 12' x 10'

MODEL #:
 RU161210IG (With Glide Elbows)
 RU161210IN (Without Glide Elbows)



REF.#	PART DESCRIPTION	QTY.
1	Ø5.0" Embedded Column	2
2	Ø5.0" Crown - With Three Sockets	2
3	Ø2.88" Rafter - Swaged With Bracket	4
4	Ø2.88" Ridge Pole - Swaged	1
5	Strut - Rigid Fixed	4
6	Fabric Cover w/ Cable Insert	1
7	Frame Hardware Kit	1



*Footing design based on 1500 PSF soil bearing pressure.