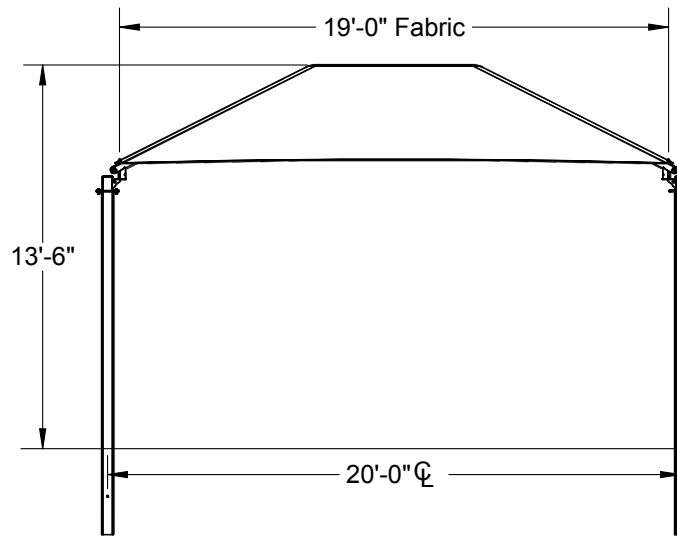


CANTILEVER/ CAR PARKING SHADE

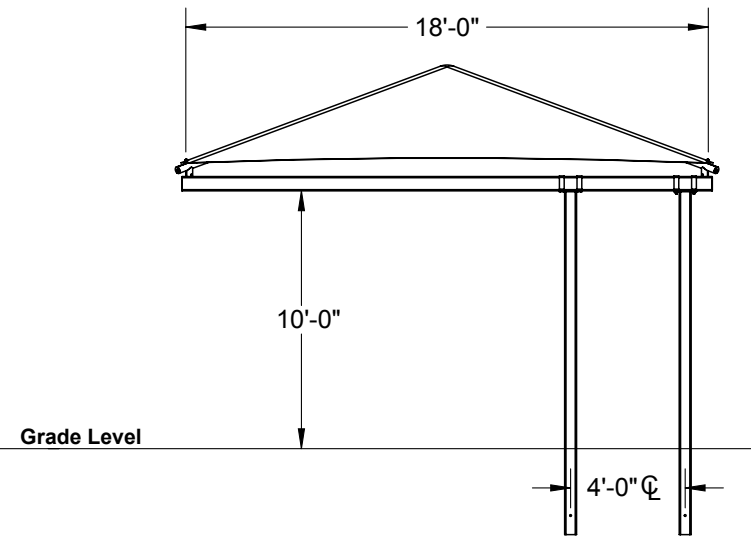
20' x 18' x 10'

MODEL #:  
 RC201810IG (With Glide Elbows)  
 RC201810IN (Without Glide Elbows)

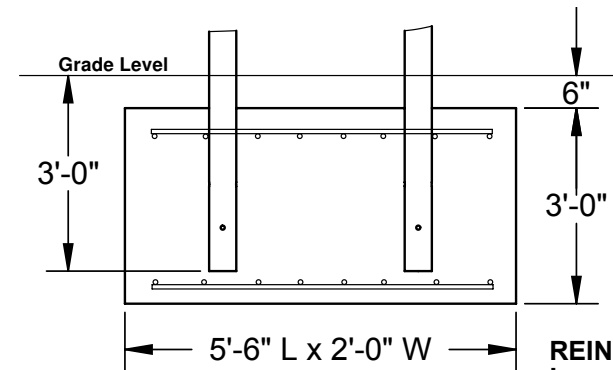
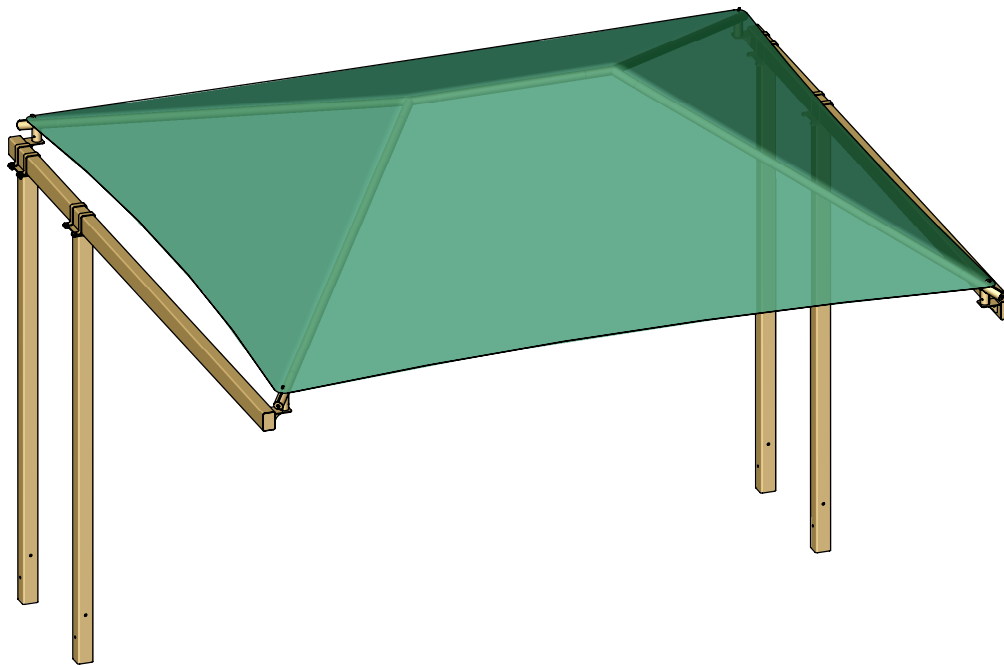
REF.#	PART DESCRIPTION	QTY.
1	5" Sq. Surface Mount Column x1/4"	4
2	4" x 6" Beam With Platform Caps x1/4"	2
3	Ø2 7/8" Angled Elbow x11. ga	4
4	Ø2 7/8" Hip Rafter w/ Swaged End	4
5	Ø2 7/8" Ridge Pole w/ Swaged Ends	1
6	Ø2 7/8" Rectangle "Y" Connection	2
7	Fabric Cover With Cable Insert	1
8	Frame Hardware Kit	1



**FRONT ELEVATION**



**END ELEVATION**



**REINF:**  
 Length: (2)#5 x 60"  
 Width: (7)#5 x 18"

**FOOTING DETAIL**  
 \*Footing design based on 1500  
 PSF soil bearing pressure.



**SUPERIOR**  
 RECREATIONAL PRODUCTS

1050 Columbia Drive  
 Carrollton, Georgia  
 1.888.829.8997 | 770.834.2764 (f)

*These drawings are for reference only and should not be used as construction details. Materials, fasteners, and foundations are subject to change if professionally sealed engineering drawings are required. Designed for 93 MPH Basic Wind Speed.*