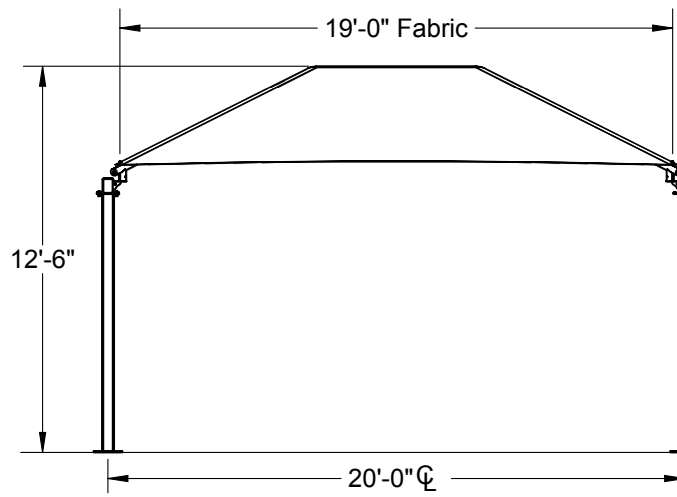


CANTILEVER/ CAR PARKING SHADE

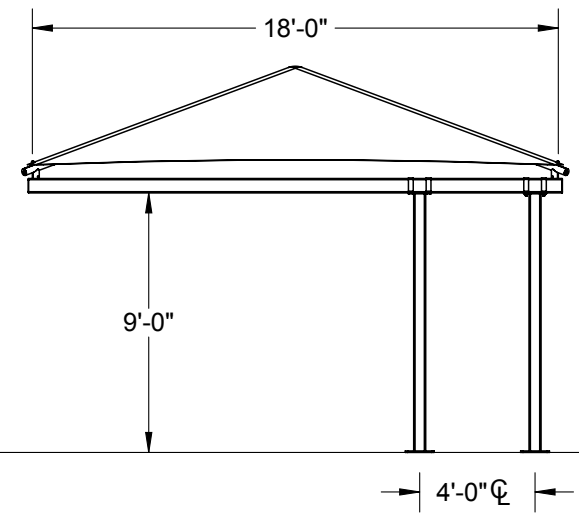
20' x 18' x 9'

MODEL #:
 RC201809SG (With Glide Elbows)
 RC201809SN (Without Glide Elbows)

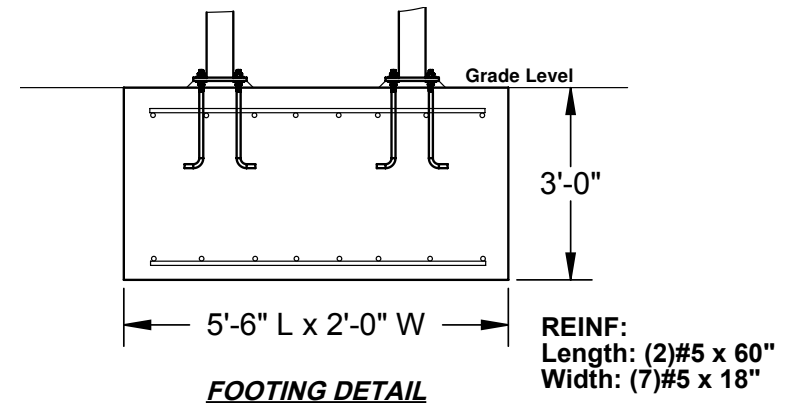
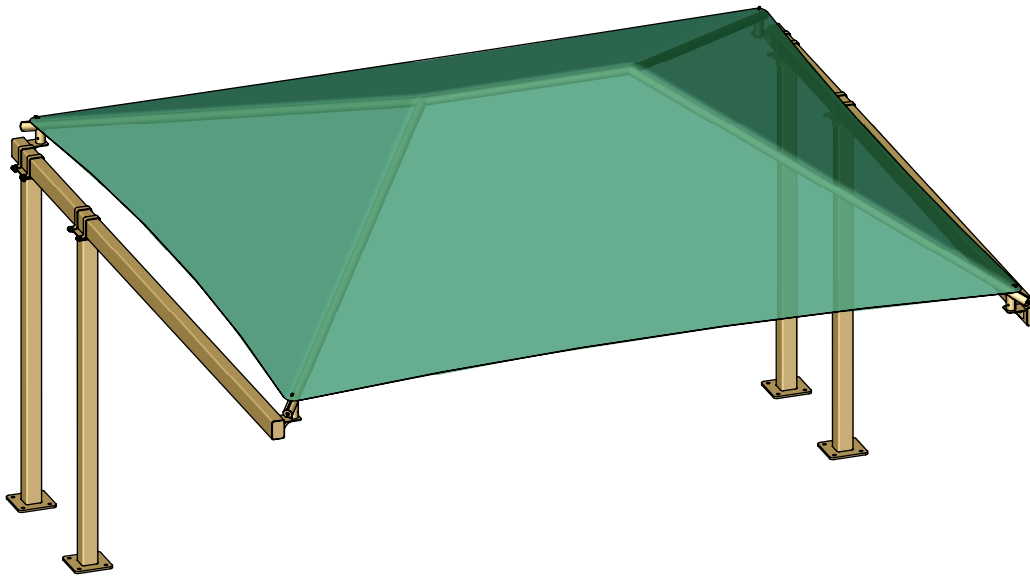
REF.#	PART DESCRIPTION	QTY.
1	5" Sq. Surface Mount Column	4
2	4" x 6" Beam With Platform Caps	2
3	Ø2 7/8" Angled Elbow	4
4	Ø2 7/8" Hip Rafter w/ Swaged End	4
5	Ø2 7/8" Ridge Pole w/ Swaged Ends	1
6	Ø2 7/8" Rectangle "Y" Connection	2
7	Fabric Cover With Cable Insert	1
8	Frame Hardware Kit	1



FRONT ELEVATION



END ELEVATION



*Footing design based on 1500 PSF soil bearing pressure.

REINF:
 Length: (2)#5 x 60"
 Width: (7)#5 x 18"



SUPERIOR
 RECREATIONAL PRODUCTS

1050 Columbia Drive
 Carrollton, Georgia
 1.888.829.8997 | 770.834.2764 (f)

These drawings are for reference only and should not be used as construction details. Materials, fasteners, and foundations are subject to change if professionally sealed engineering drawings are required. Designed for 93 MPH Basic Wind Speed.