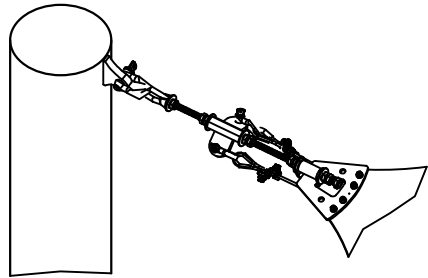
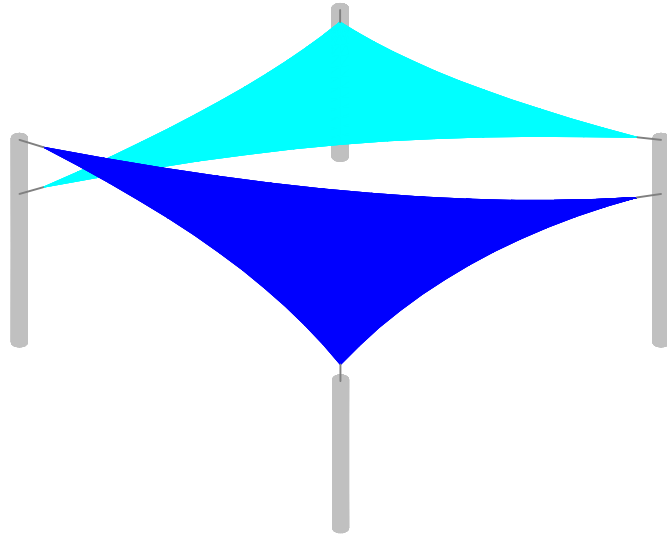
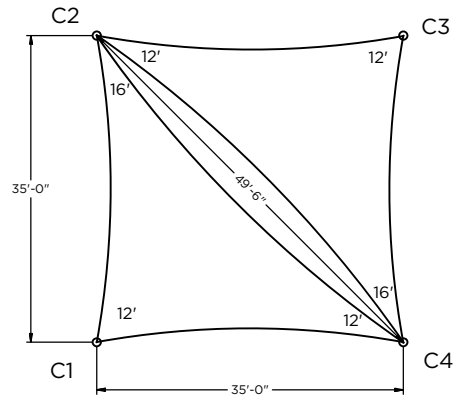
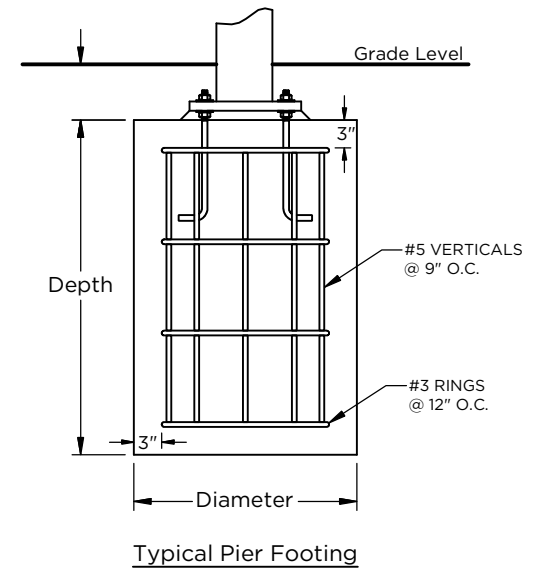
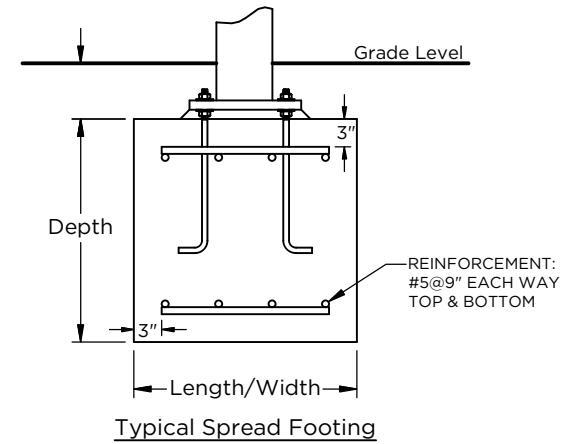


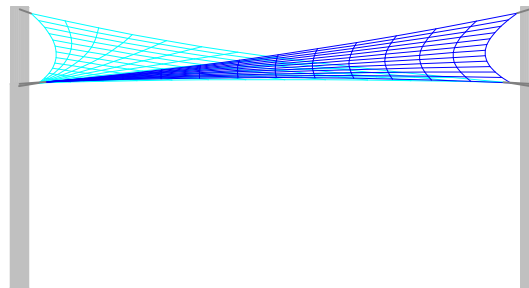
Fabric Connection



Fabric Connection



Plan View



Side View

**Column & Footing Schedule**

Column ID	Column Size	Est. Footing Size	Est. Pier Footing Size
C1	10" Sch40	4.2' x 4.2' x 3.0'	6.6' Deep x Ø3.0'
C2	14" OD HSS	7.0' x 7.0' x 3.0'	8.8' Deep x Ø3.0'
C3	10" Sch40	4.2' x 4.2' x 3.0'	6.6' Deep x Ø3.0'
C4	14" OD HSS	7.0' x 7.0' x 3.0'	8.8' Deep x Ø3.0'

**SHADE**  
BY SUPERIOR RECREATIONAL PRODUCTS

SHADE:  
**35' X 35' 12' EH TRIANGLE SAILS**

SCALE  
**Not to Scale**

*These drawings are for reference only and should not be used as construction details. They show the general character and rough dimensions of the structural features. Superior Recreation Products is not responsible for deviation of final shade dimensions. All final dimensions must be verified in the field by the customer. Exact spans, fasteners, materials, and foundations can be determined by a licensed professional engineer upon request.*

