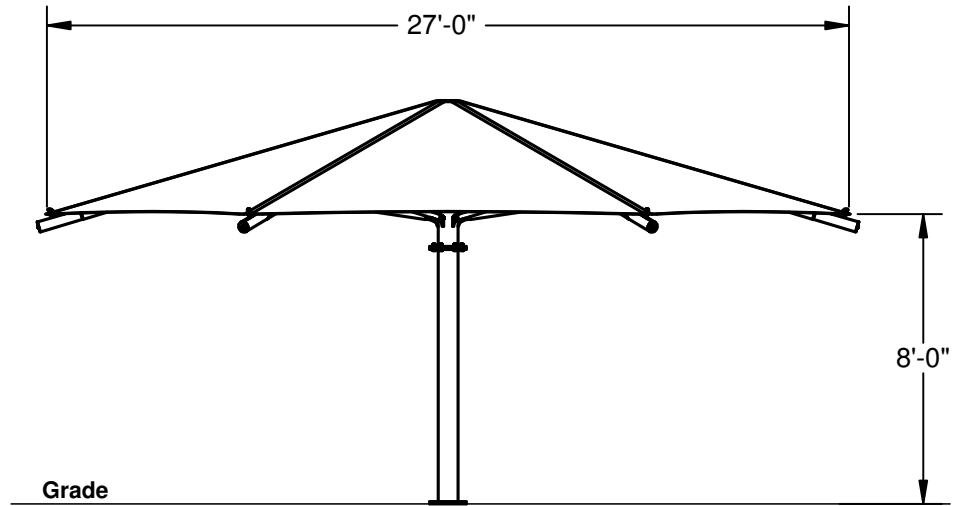


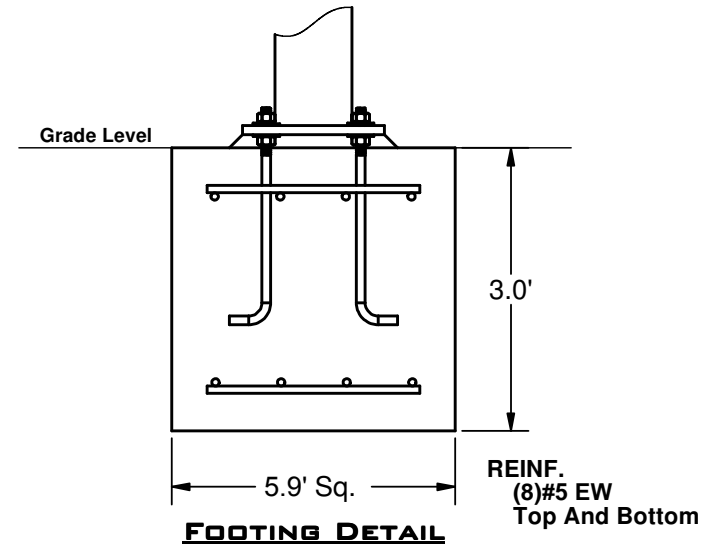
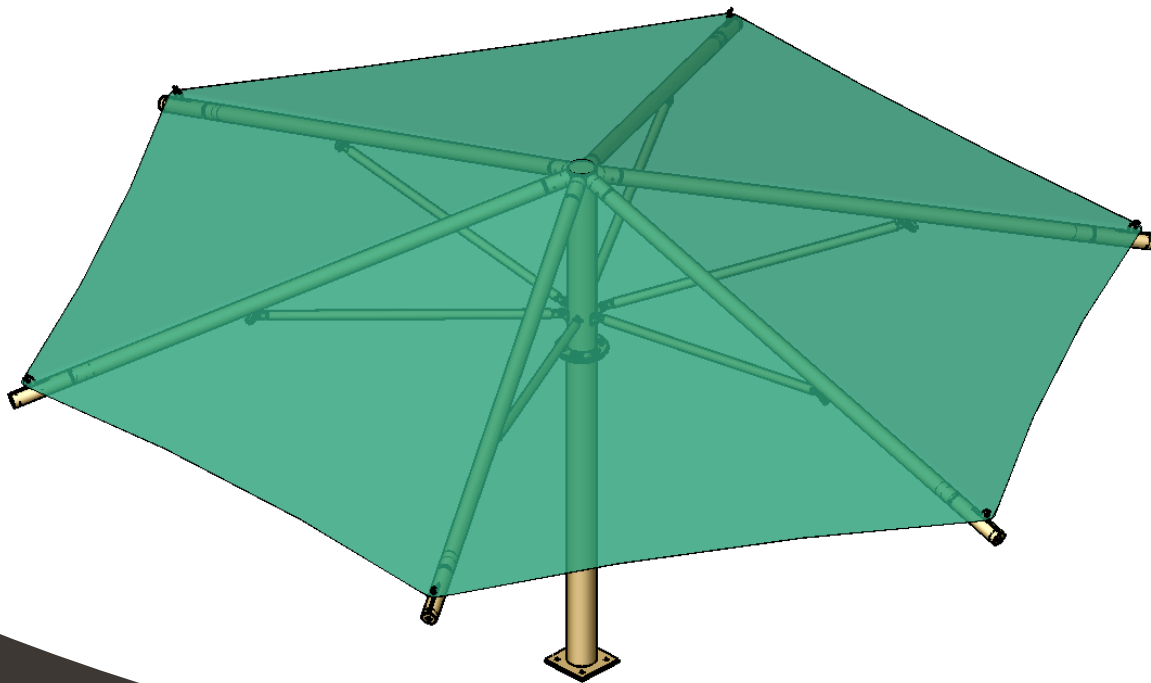
HEXAGON UMBRELLA SHADE

27' x 27' x 8'

MODEL #:
 HU272708SG (With Glide Elbows)
 HU272708SN (Without Glide Elbows)



REF.#	PART DESCRIPTION	QTY.
1	Ø8.6" Column - Surface Mount	1
2	Ø8.6" Crown - With Four Sockets	1
3	Ø3.5" Rafter - Swaged With Bracket	4
4	Strut - Rigid Fixed	4
5	Fabric - With Cable Insert	1
6	Frame Hardware Kit	1



*Footing design based on 1500 PSF soil bearing pressure.