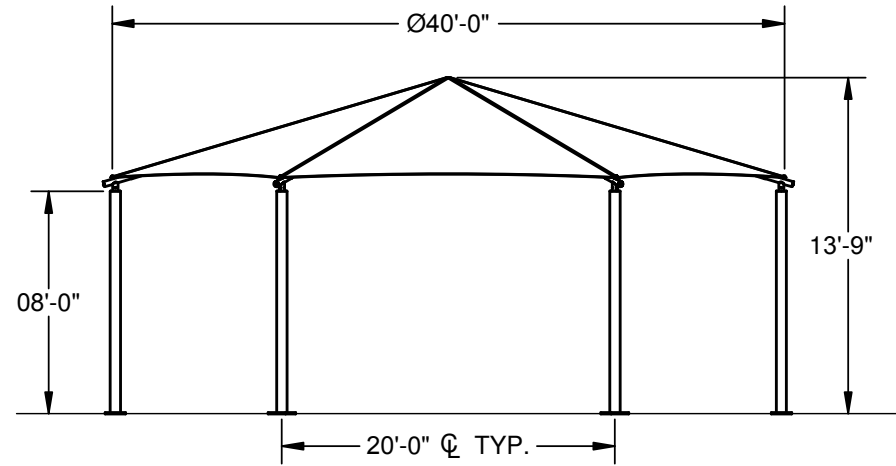


HEXAGON HIP SHADE

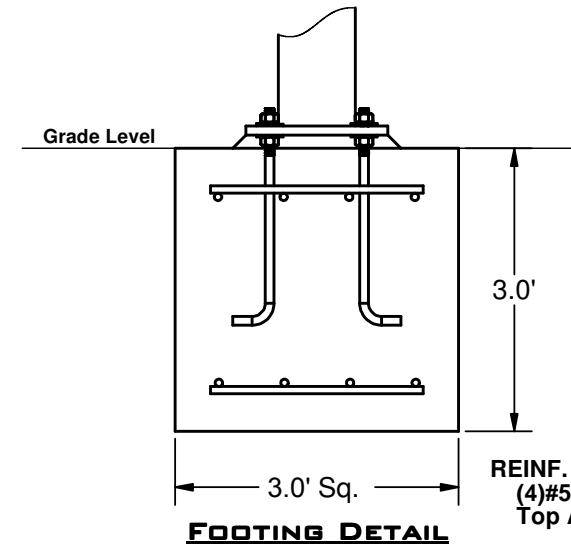
40' x 40' x 08'

MODEL #:
 HD404008SG (With Glide Elbows)
 HD404008SN (Without Glide Elbows)

REF.#	PART DESCRIPTION	QTY.
1	Ø5.5" Column - Surface Mount	6
2	Ø5.5" Hub - With Six Sockets	1
3	Ø3.5" Rafter - Swaged	6
4	Angled Elbow	6
5	Fabric - With Cable Insert	1
6	Frame Hardware Kit	1



ELEVATION VIEW



FOOTING DETAIL

REINF.
 (4)#5 EW
 Top And Bottom

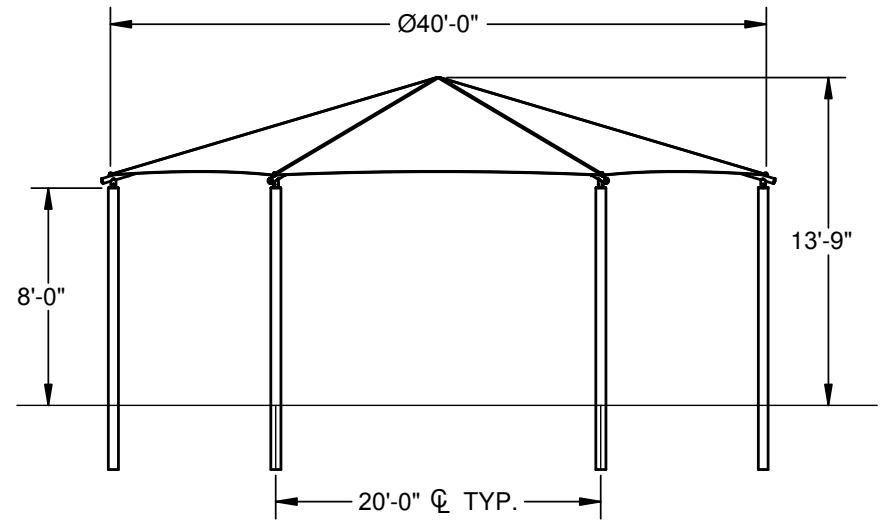
*Footing design based on 1500 PSF soil bearing pressure.

HEXAGON HIP SHADE

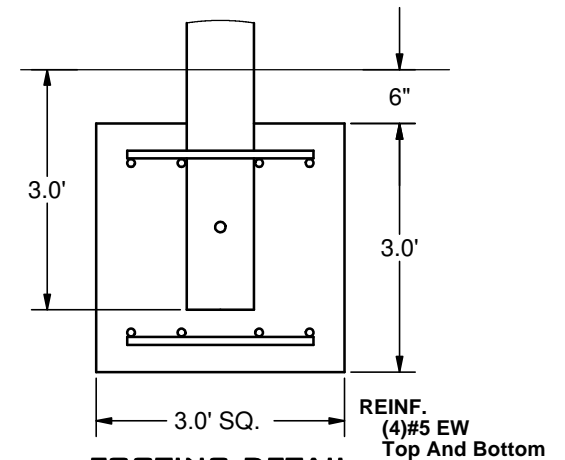
40' x 40' x 8'

MODEL #:
 HD404008IG (With Glide Elbows)
 HD404008IN (Without Glide Elbows)

REF.#	PART DESCRIPTION	QTY.
1	Ø5.5" Column - Embedded	6
2	Ø5.5" Hub - With Six Sockets	1
3	Ø3.5" Rafter - Swaged	6
4	Angled Elbow	6
5	Fabric - With Cable Insert	1
6	Frame Hardware Kit	1



ELEVATION VIEW



FOOTING DETAIL

*Footing design based on 1500 PSF soil bearing pressure.



SUPERIOR
 RECREATIONAL PRODUCTS

1050 Columbia Drive
 Carrollton, Georgia
 1.888.829.8997 | 770.834.2764 (f)

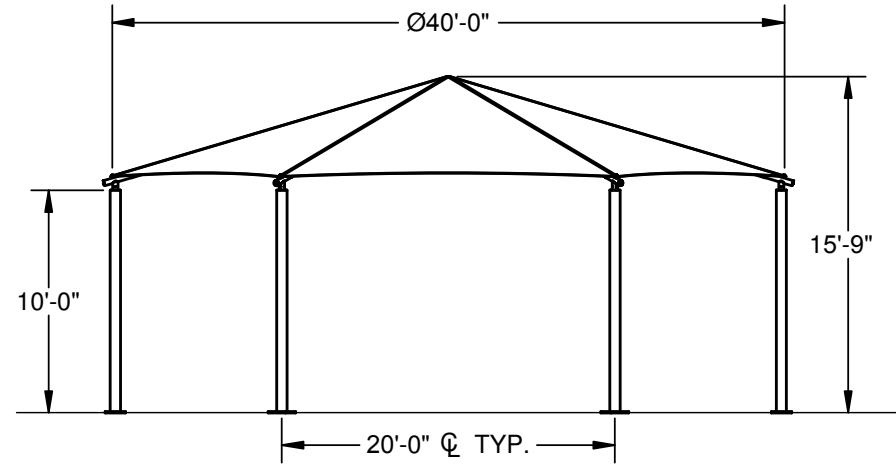
These drawings are for reference only and should not be used as construction details. Materials, fasteners, and foundations are subject to change if professionally sealed engineering drawings are required. Designed for 93 MPH Basic Wind Speed.

HEXAGON HIP SHADE

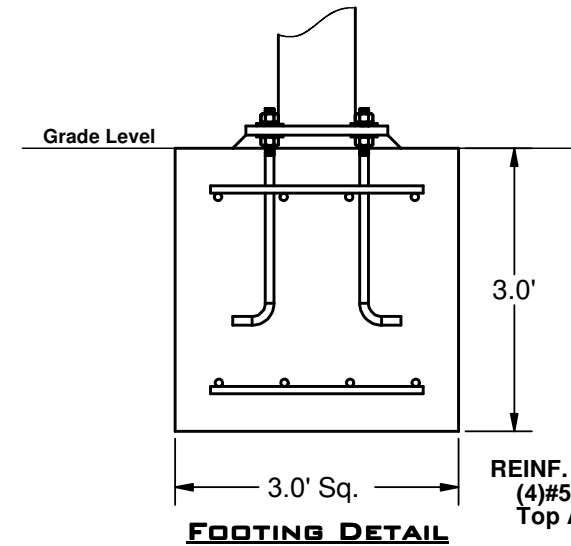
40' x 40' x 10'

MODEL #:
 HD404010SG (With Glide Elbows)
 HD404010SN (Without Glide Elbows)

REF.#	PART DESCRIPTION	QTY.
1	Ø6.6" Column - Surface Mount	6
2	Ø6.6" Hub - With Six Sockets	1
3	Ø3.5" Rafter - Swaged	6
4	Angled Elbow	6
5	Fabric - With Cable Insert	1
6	Frame Hardware Kit	1



ELEVATION VIEW



FOOTING DETAIL

REINF.
 (4)#5 EW
 Top And Bottom

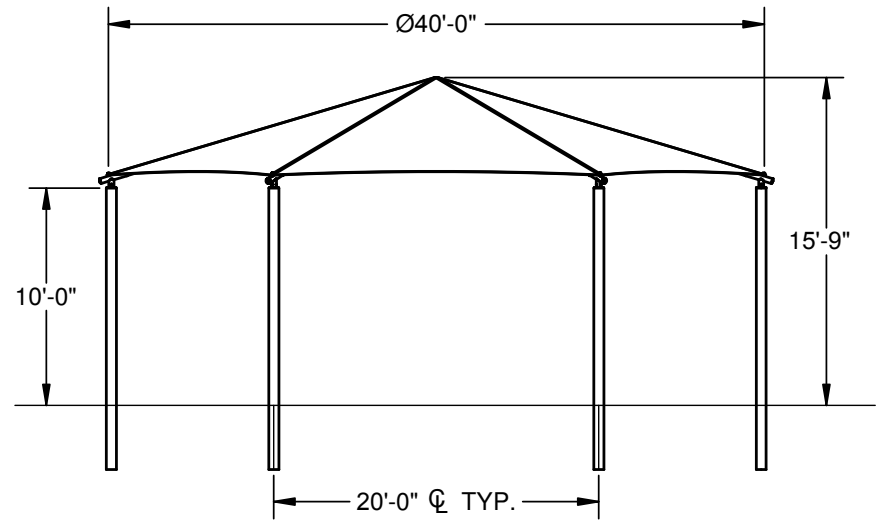
*Footing design based on 1500 PSF soil bearing pressure.

HEXAGON HIP SHADE

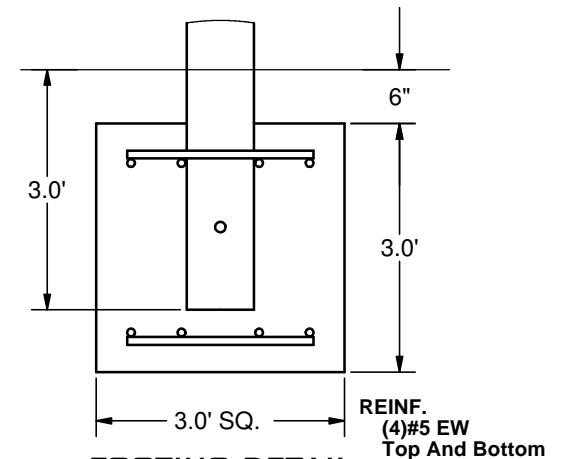
40' x 40' x 10'

MODEL #:
 HD404010IG (With Glide Elbows)
 HD404010IN (Without Glide Elbows)

REF.#	PART DESCRIPTION	QTY.
1	Ø6.6" Column - Embedded	6
2	Ø6.6" Hub - With Six Sockets	1
3	Ø3.5" Rafter - Swaged	6
4	Angled Elbow	6
5	Fabric - With Cable Insert	1
6	Frame Hardware Kit	1



ELEVATION VIEW



FOOTING DETAIL

*Footing design based on 1500 PSF soil bearing pressure.



SUPERIOR
 RECREATIONAL PRODUCTS

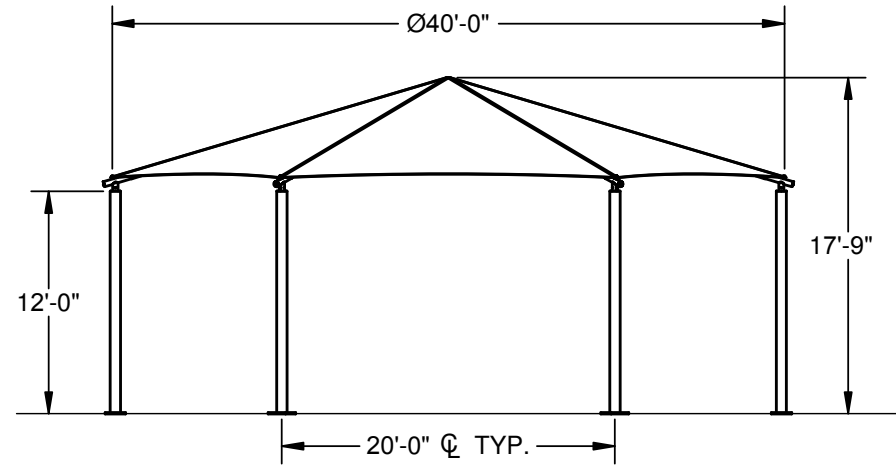
1050 Columbia Drive
 Carrollton, Georgia
 1.888.829.8997 | 770.834.2764 (f)

These drawings are for reference only and should not be used as construction details. Materials, fasteners, and foundations are subject to change if professionally sealed engineering drawings are required. Designed for 93 MPH Basic Wind Speed.

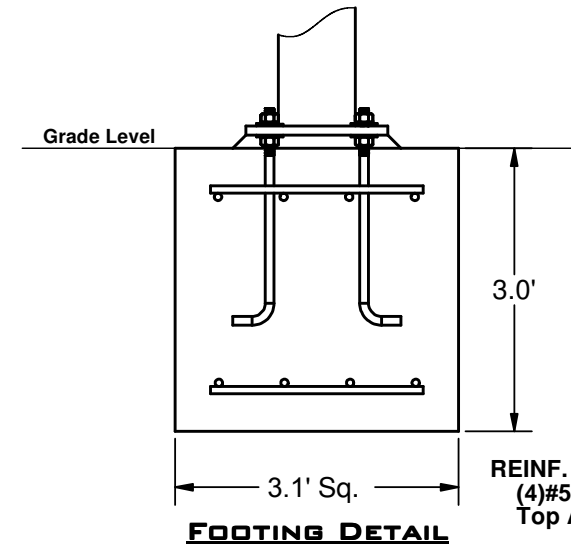
HEXAGON HIP SHADE

40' x 40' x 12'

MODEL #:
 HD404012SG (With Glide Elbows)
 HD404012SN (Without Glide Elbows)



ELEVATION VIEW



REINF.
 (4)#5 EW
 Top And Bottom

*Footing design based on 1500 PSF soil bearing pressure.

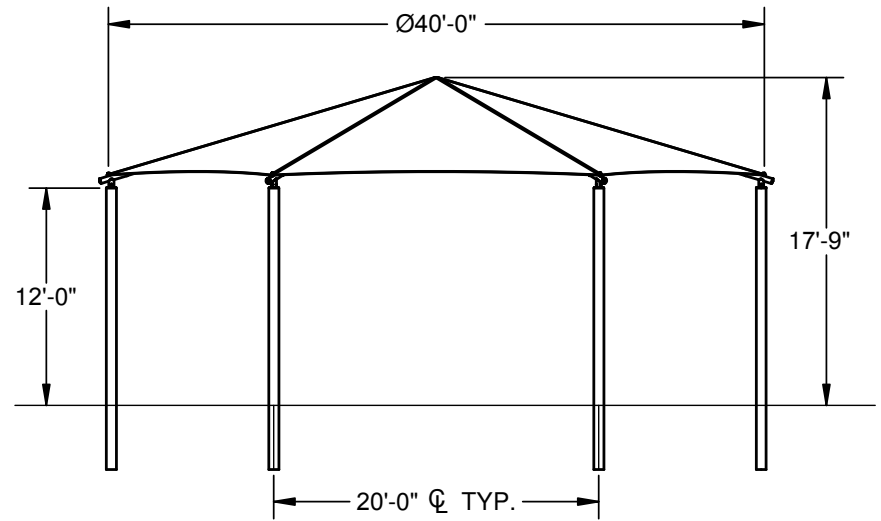
REF.#	PART DESCRIPTION	QTY.
1	Ø8.6" Column - Surface Mount	6
2	Ø8.6" Hub - With Six Sockets	1
3	Ø3.5" Rafter - Swaged	6
4	Angled Elbow	6
5	Fabric - With Cable Insert	1
6	Frame Hardware Kit	1

HEXAGON HIP SHADE

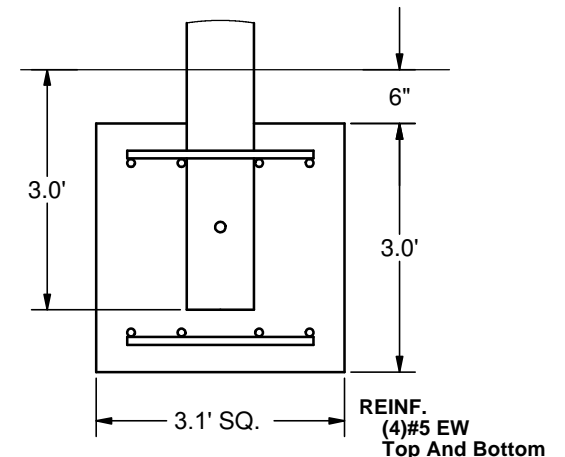
40' x 40' x 12'

MODEL #:
 HD404012IG (With Glide Elbows)
 HD404012IN (Without Glide Elbows)

REF.#	PART DESCRIPTION	QTY.
1	Ø8.6" Column - Embedded	6
2	Ø8.6" Hub - With Six Sockets	1
3	Ø3.5" Rafter - Swaged	6
4	Angled Elbow	6
5	Fabric - With Cable Insert	1
6	Frame Hardware Kit	1



ELEVATION VIEW



FOOTING DETAIL

*Footing design based on 1500 PSF soil bearing pressure.



SUPERIOR
 RECREATIONAL PRODUCTS

1050 Columbia Drive
 Carrollton, Georgia
 1.888.829.8997 | 770.834.2764 (f)

These drawings are for reference only and should not be used as construction details. Materials, fasteners, and foundations are subject to change if professionally sealed engineering drawings are required. Designed for 93 MPH Basic Wind Speed.