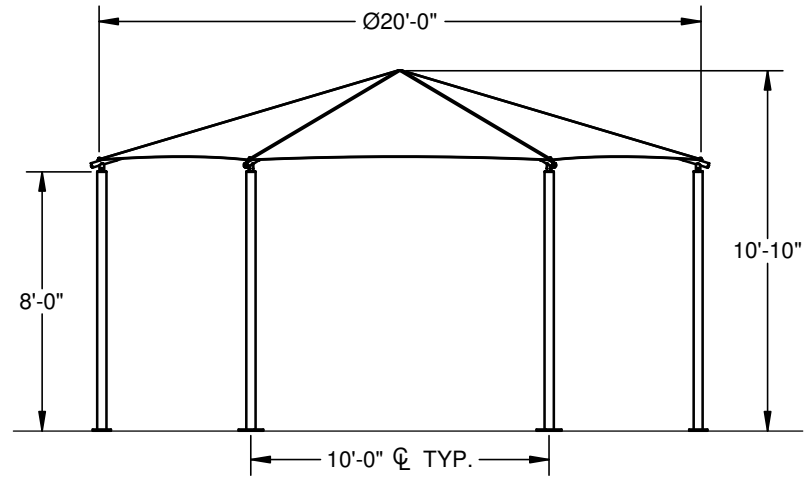


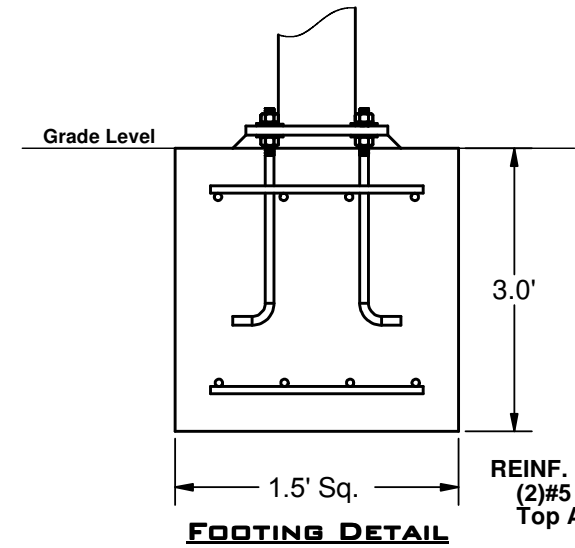
HEXAGON HIP SHADE

20' x 20' x 8'

MODEL #:  
 HD202008SG (With Glide Elbows)  
 HD202008SN (Without Glide Elbows)



**ELEVATION VIEW**



**FOOTING DETAIL**

**REINF.**  
 (2)#5 EW  
 Top And Bottom

\*Footing design based on 1500 PSF soil bearing pressure.

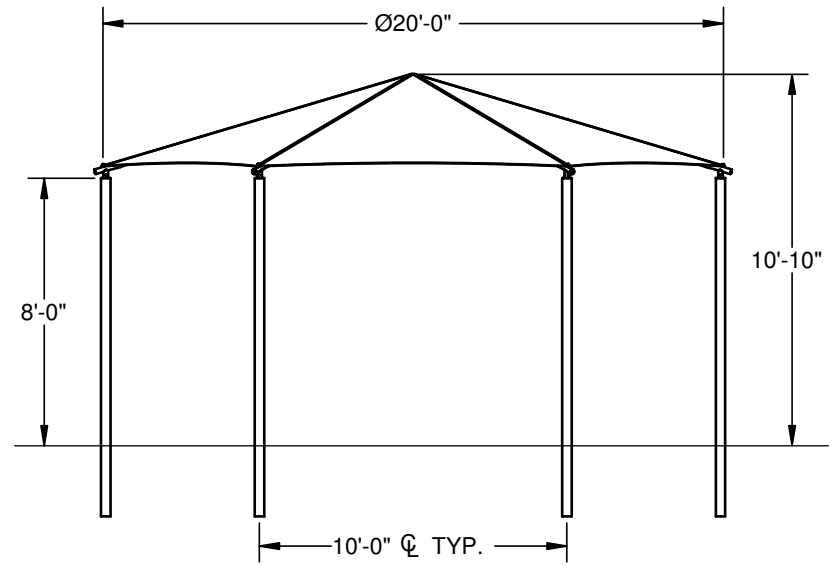
REF.#	PART DESCRIPTION	QTY.
1	Ø3.5" Column - Surface Mount	6
2	Ø3.5" Hub - With Six Sockets	1
3	Ø2.5" Rafter - Swaged	6
4	Angled Elbow	6
5	Fabric - With Cable Insert	1
6	Frame Hardware Kit	1

HEXAGON HIP SHADE

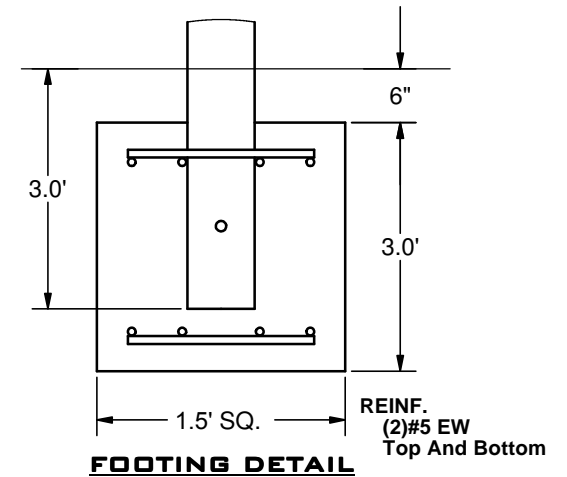
20' x 20' x 8'

MODEL #:  
 HD202008IG (With Glide Elbows)  
 HD202008IN (Without Glide Elbows)

REF.#	PART DESCRIPTION	QTY.
1	Ø3.5" Column - Embedded	6
2	Ø3.5" Hub - With Six Sockets	1
3	Ø2.5" Rafter - Swaged	6
4	Angled Elbow	6
5	Fabric - With Cable Insert	1
6	Frame Hardware Kit	1



**ELEVATION VIEW**



**FOOTING DETAIL**  
 \*Footing design based on 1500  
 PSF soil bearing pressure.



**SUPERIOR**  
 RECREATIONAL PRODUCTS

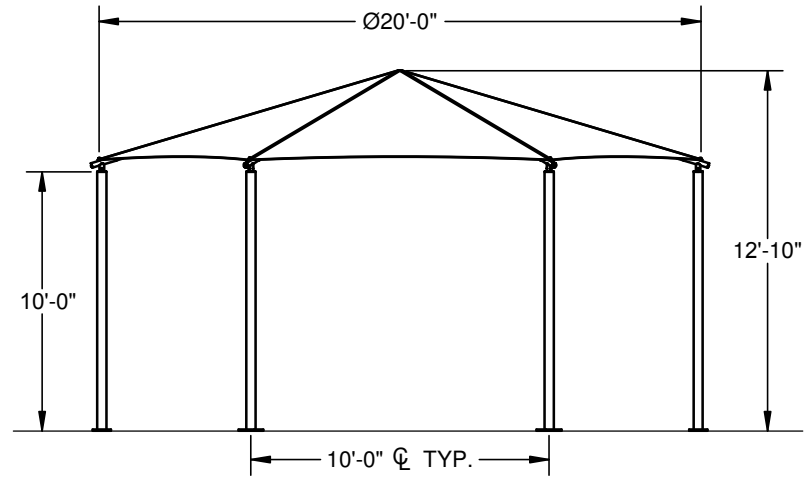
1050 Columbia Drive  
 Carrollton, Georgia  
 1.888.829.8997 | 770.834.2764 (f)

*These drawings are for reference only and should not be used as construction details. Materials, fasteners, and foundations are subject to change if professionally sealed engineering drawings are required. Designed for 93 MPH Basic Wind Speed.*

HEXAGON HIP SHADE

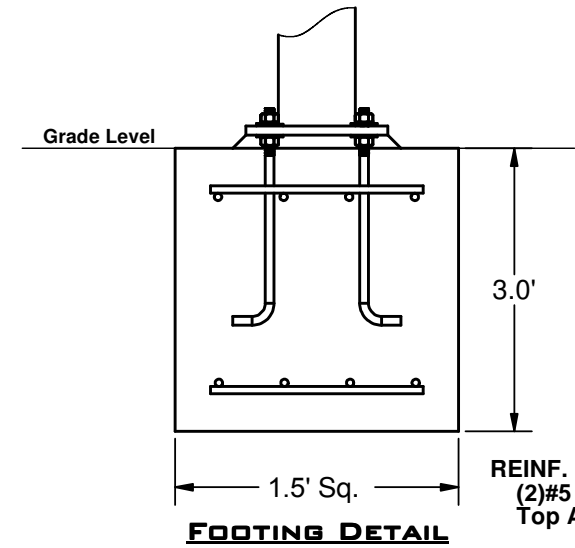
20' x 20' x 10'

MODEL #:  
 HD202010SG (With Glide Elbows)  
 HD202010SN (Without Glide Elbows)



**ELEVATION VIEW**

REF.#	PART DESCRIPTION	QTY.
1	Ø5.0" Column - Surface Mount	6
2	Ø5.0" Hub - With Six Sockets	1
3	Ø2.5" Rafter - Swaged	6
4	Angled Elbow	6
5	Fabric - With Cable Insert	1
6	Frame Hardware Kit	1



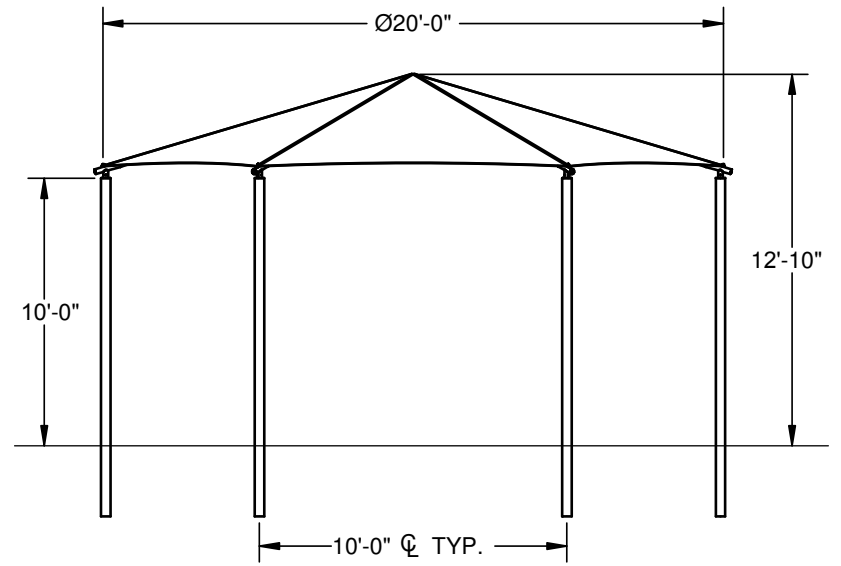
\*Footing design based on 1500 PSF soil bearing pressure.

HEXAGON HIP SHADE

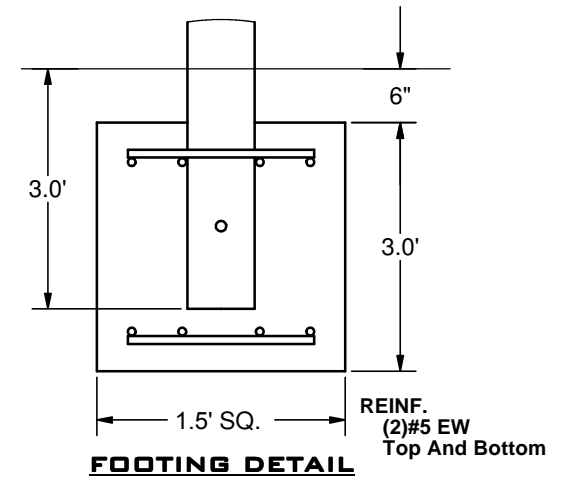
20' x 20' x 10'

MODEL #:  
 HD202010IG (With Glide Elbows)  
 HD202010IN (Without Glide Elbows)

REF.#	PART DESCRIPTION	QTY.
1	Ø5.0" Column - Embedded	6
2	Ø5.0" Hub - With Six Sockets	1
3	Ø2.5" Rafter - Swaged	6
4	Angled Elbow	6
5	Fabric - With Cable Insert	1
6	Frame Hardware Kit	1



**ELEVATION VIEW**



**FOOTING DETAIL**  
 \*Footing design based on 1500  
 PSF soil bearing pressure.



**SUPERIOR**  
 RECREATIONAL PRODUCTS

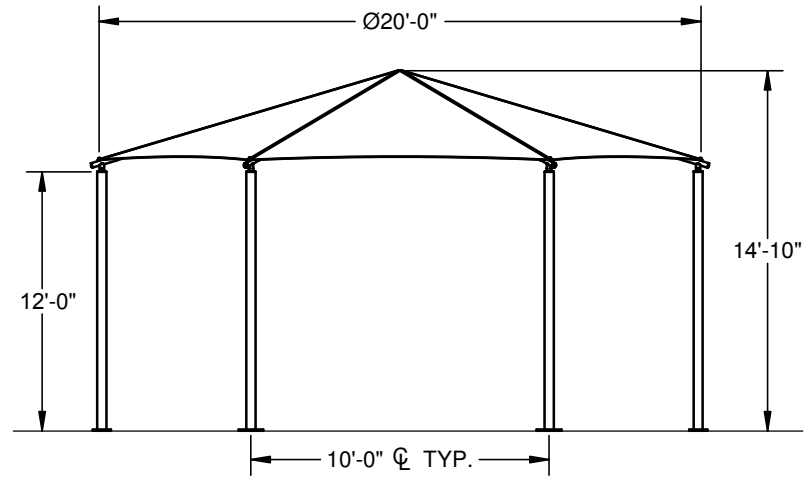
1050 Columbia Drive  
 Carrollton, Georgia  
 1.888.829.8997 | 770.834.2764 (f)

*These drawings are for reference only and should not be used as construction details. Materials, fasteners, and foundations are subject to change if professionally sealed engineering drawings are required. Designed for 93 MPH Basic Wind Speed.*

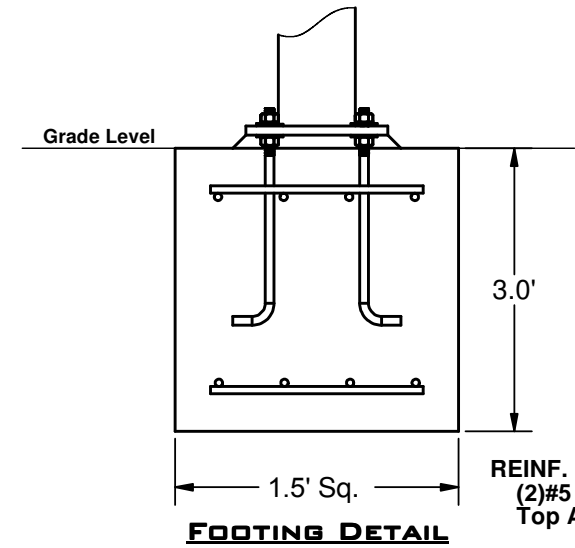
HEXAGON HIP SHADE

20' x 20' x 12'

MODEL #:  
 HD202012SG (With Glide Elbows)  
 HD202012SN (Without Glide Elbows)



**ELEVATION VIEW**



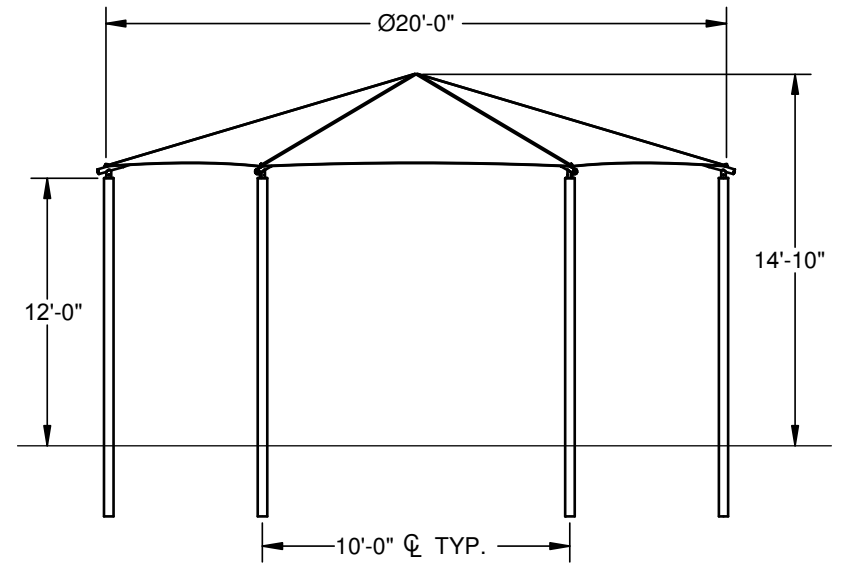
\*Footing design based on 1500 PSF soil bearing pressure.

REF.#	PART DESCRIPTION	QTY.
1	Ø5.0" Column - Surface Mount	6
2	Ø5.0" Hub - With Six Sockets	1
3	Ø2.5" Rafter - Swaged	6
4	Angled Elbow	6
5	Fabric - With Cable Insert	1
6	Frame Hardware Kit	1

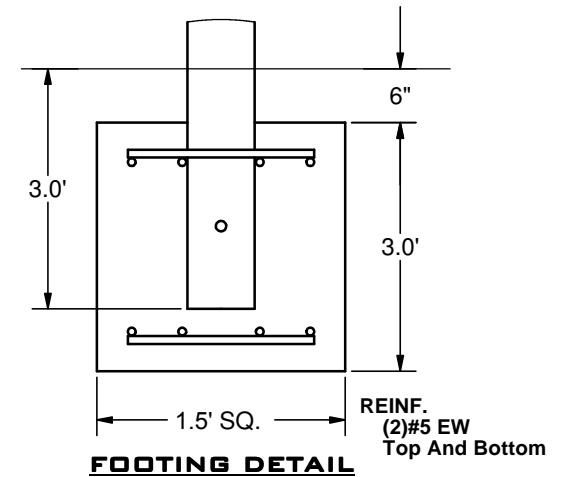
HEXAGON HIP SHADE

20' x 20' x 12'

MODEL #:  
 HD202012IG (With Glide Elbows)  
 HD202012IN (Without Glide Elbows)



**ELEVATION VIEW**



**FOOTING DETAIL**  
 \*Footing design based on 1500  
 PSF soil bearing pressure.

REF.#	PART DESCRIPTION	QTY.
1	Ø5.0" Column - Embedded	6
2	Ø5.0" Hub - With Six Sockets	1
3	Ø2.5" Rafter - Swaged	6
4	Angled Elbow	6
5	Fabric - With Cable Insert	1
6	Frame Hardware Kit	1