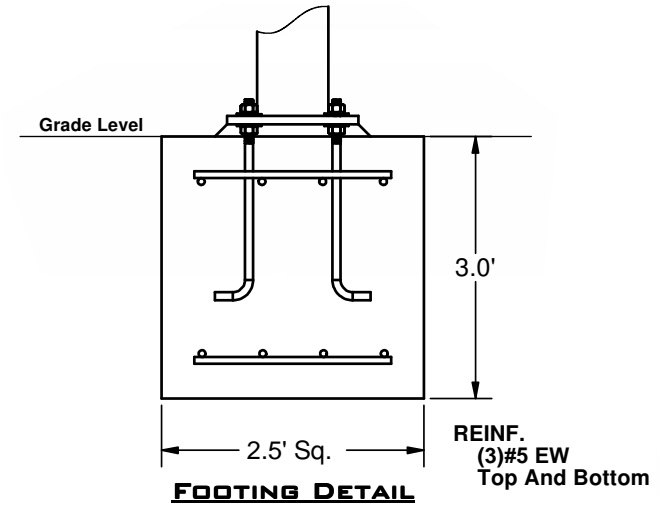
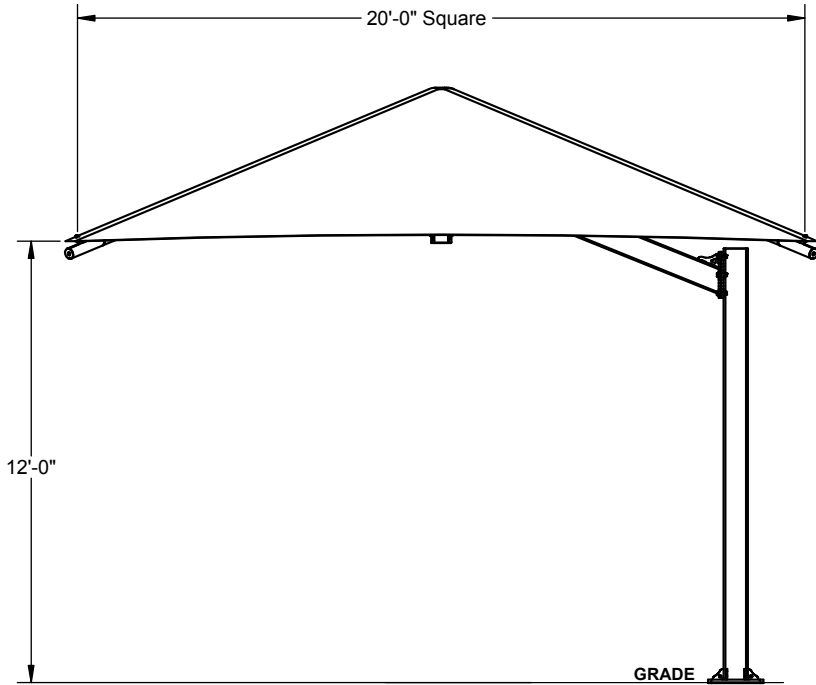
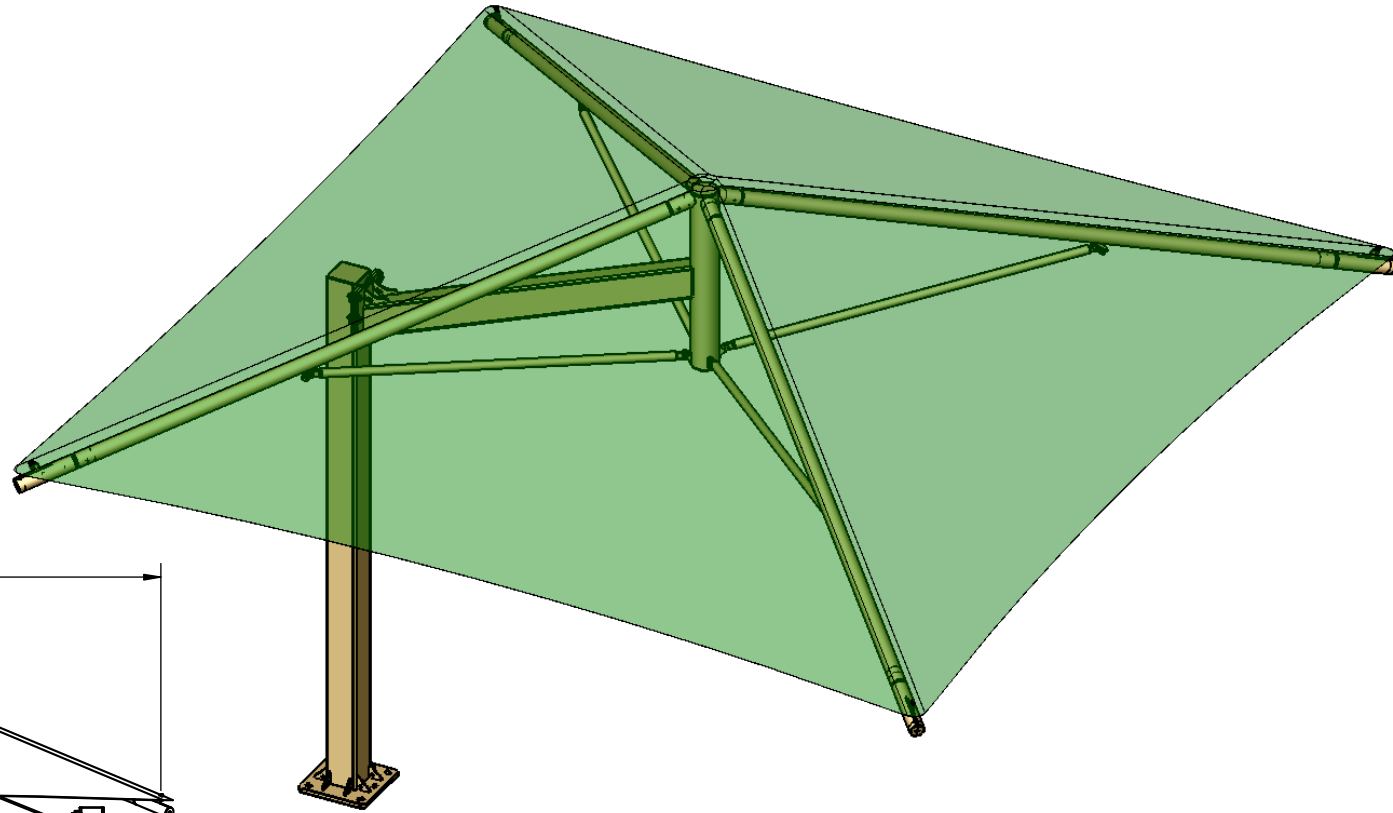


CANTILEVER UMBRELLA SHADE

**20' x 20' x 12'**

MODEL #:  
 CU202012SG (With Glide Elbows)  
 CU202012SN (Without Glide Elbows)

| REF.# | PART DESCRIPTION                            | QTY. |
|-------|---|------|
| 1     | Column - 8" Sq. w/ Mounting Plate           | 1    |
| 2     | Cantilever Arm/Crown - 6"x8"/Ø6.6"/Ø3 1/2"  | 1    |
| 3     | Rafter - Ø3 1/2" Swaged w/ Adjustment Plate | 4    |
| 4     | Strut - Ø1 7/8" Rigid                       | 4    |
| 5     | Canopy - 20' x 20' w/ Cable Insert          | 1    |
| 6     | Hardware Kit                                | 1    |
| 7     | Anchor Hardware                             | 1    |



\*Footing design based on 1500 PSF soil bearing pressure.

*These drawings are for reference only and should not be used as construction details. Materials, fasteners, and foundations are subject to change if professionally sealed engineering drawings are required. Designed for 93 MPH Basic Wind Speed.*