

Mfg. by Aadvantage Panels & Fence, Inc.

MyTCoat

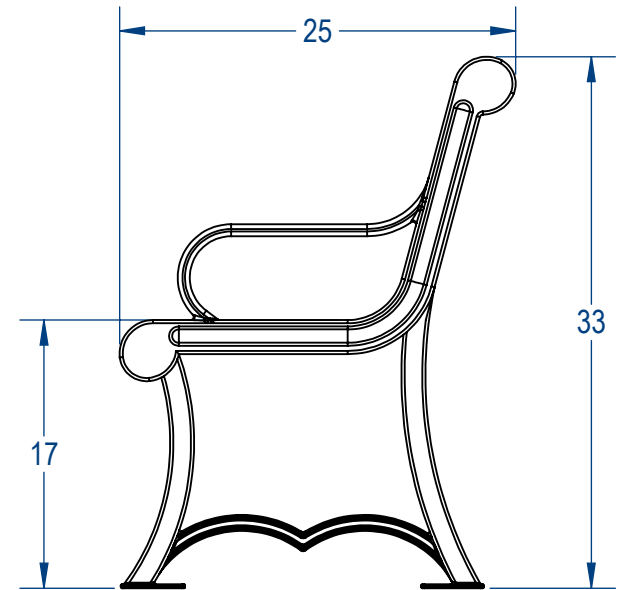
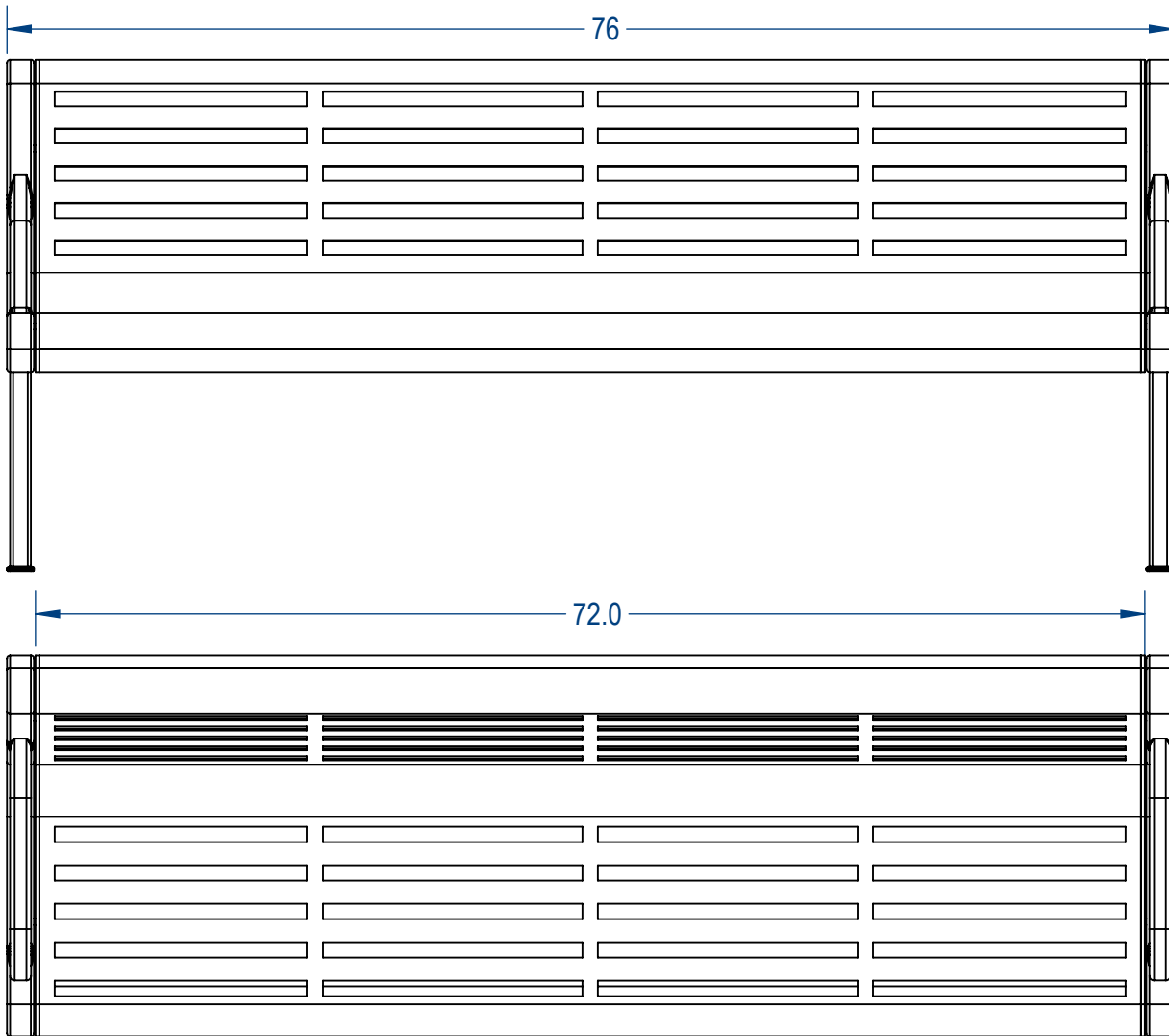
Commercial Outdoor Furniture

www.mytcoat.com

PROPRIETARY AND CONFIDENTIAL

THE INFORMATION CONTAINED IN THIS DRAWING IS THE SOLE PROPERTY OF Aadvantage Panels & Fence, Inc. PO Box 1790 Whitney, TX. ANY REPRODUCTION IN PART OR AS A WHOLE WITHOUT THE WRITTEN PERMISSION OF Aadvantage Panels & Fence, Inc. PO Box 1790 Whitney, TX. IS PROHIBITED.

	NAME	DATE	AAdvantage Panels & Fence, Inc.		
DRAWN	GM	7/10/2018			
SALES APPR.			TITLE: Austin Bench Horizontal Slat Style		
CLIENT APPR.					
MFG APPR.					
Q.A.					
Design By -			SIZE	DWG. NO.	REV
CADWorksPro Chicago, IL			A	ASB-001	
www.cadworkspro.com			WEIGHT:		SHEET 1 OF 2



Mfg. by Advantage Panels & Fence, Inc.

Mytcoat

Commercial Outdoor Furniture

www.mytcoat.com

PROPRIETARY AND CONFIDENTIAL

THE INFORMATION CONTAINED IN THIS DRAWING IS THE SOLE PROPERTY OF Advantage Panels & Fence, Inc. PO Box 1790 Whitney, TX. ANY REPRODUCTION IN PART OR AS A WHOLE WITHOUT THE WRITTEN PERMISSION OF Advantage Panels & Fence, Inc. PO Box 1790 Whitney, TX. IS PROHIBITED.

	NAME	DATE
DRAWN	GM	7/10/2018
SALES APPR.		
CLIENT APPR.		
MFG APPR.		
Q.A.		

Design By -

CADWorksPro
Chicago, IL

www.cadworkspro.com

AAdvantage Panels & Fence, Inc.

TITLE:

Austin Bench
Horizontal Slat Style

SIZE	DWG. NO.	REV
A	ASB-002	
WEIGHT:		SHEET 2 OF 2