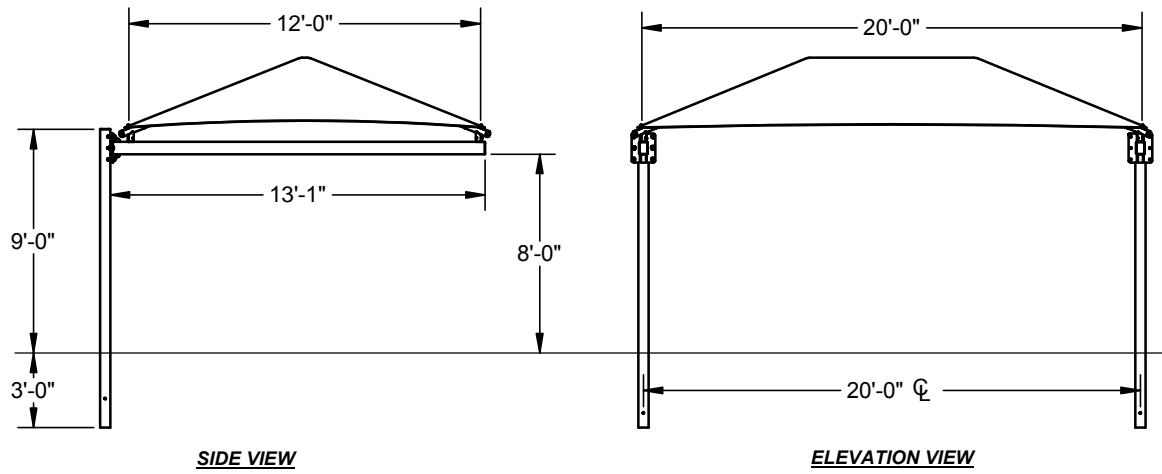


HANGING CANTILEVER SHADE

**20' x 12' x 8'**

MODEL #:  
 HC2012081G (With Glide Elbows)  
 HC2012081N (Without Glide Elbows)



*SIDE VIEW*

*ELEVATION VIEW*

REF.#	PART DESCRIPTION	QTY.
1	Column - Flanged Cantilever	2
2	Beam - Flanged With Caps	2
3	Elbow - Glide	4
4	Rafter - Swaged One End	4
5	Ridge Pole - Swaged Both Ends	1
6	Joiner - Rectangle Profile	2
7	Fabric - 20' x 12' With Cable Insert	1
8	Frame Hardware Kit	1

