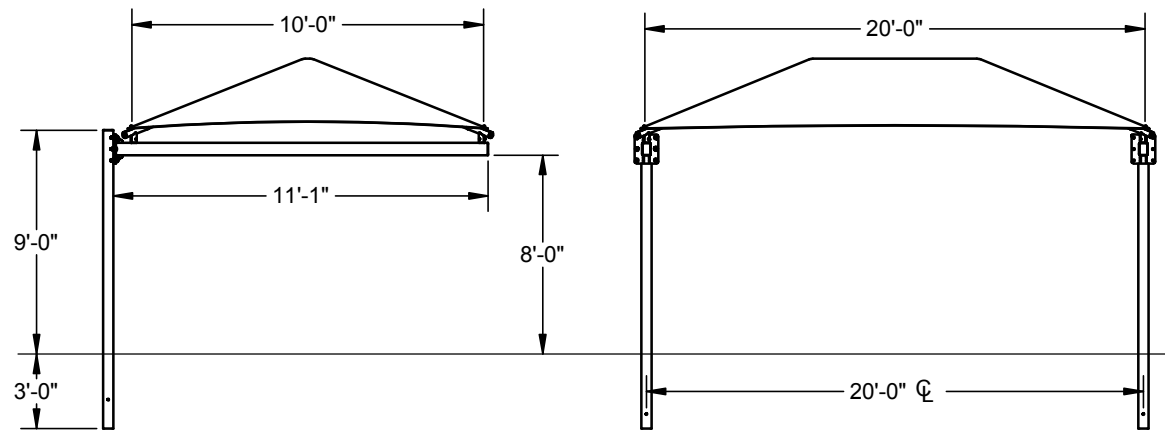


HANGING CANTILEVER SHADE

20' x 10' x 8'

MODEL #:
 HC201008IG (With Glide Elbows)
 HC201008IN (Without Glide Elbows)



SIDE VIEW

ELEVATION VIEW

REF.#	PART DESCRIPTION	QTY.
1	Column - Flanged Cantilever	2
2	Beam - Flanged With Caps	2
3	Elbow - Glide	4
4	Rafter - Swaged One End	4
5	Ridge Pole - Swaged Both Ends	1
6	Joiner - Rectangle Profile	2
7	Fabric - 20' x 10' With Cable Insert	1
8	Frame Hardware Kit	1

