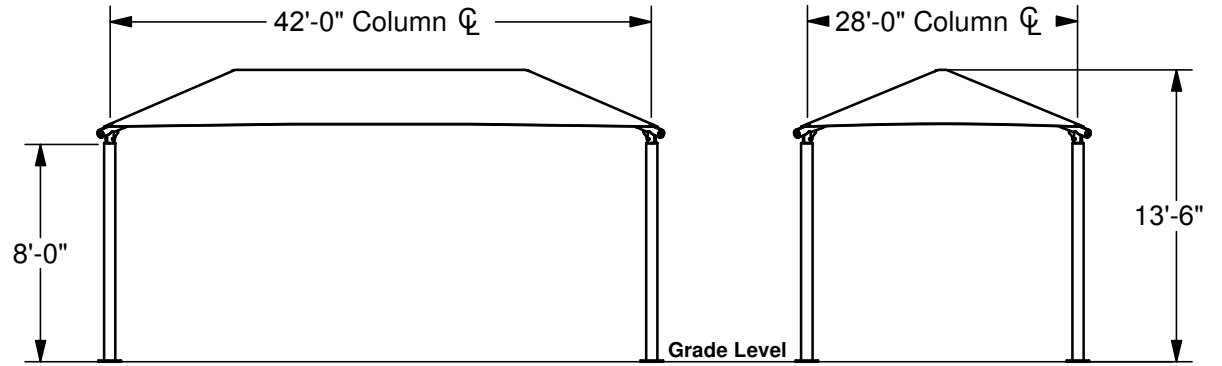


RECTANGLE HIP SHADE

28' x 42' x 8'

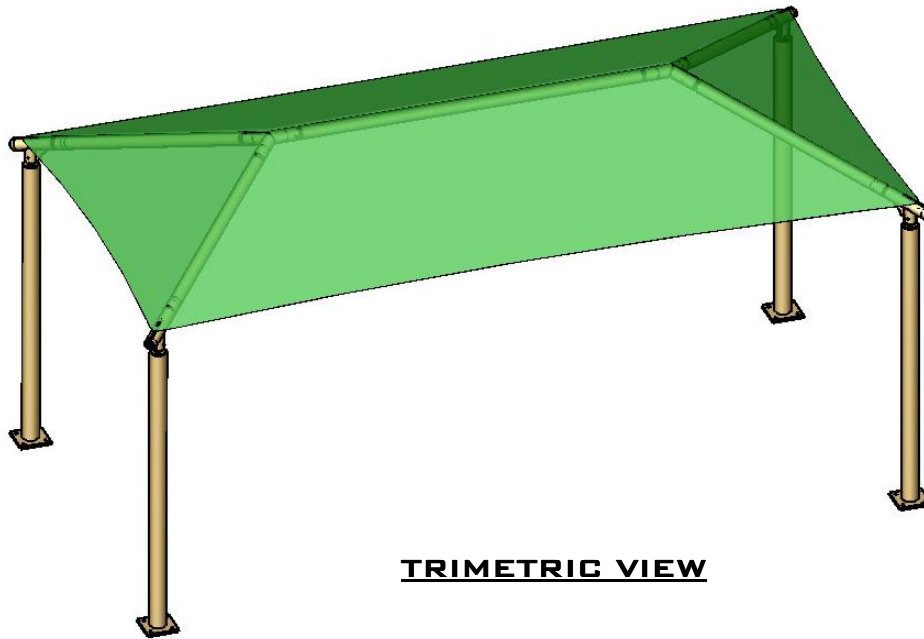
MODEL #:
RD284208SG (With Glide Elbows)
RD284208SN (Without Glide Elbows)



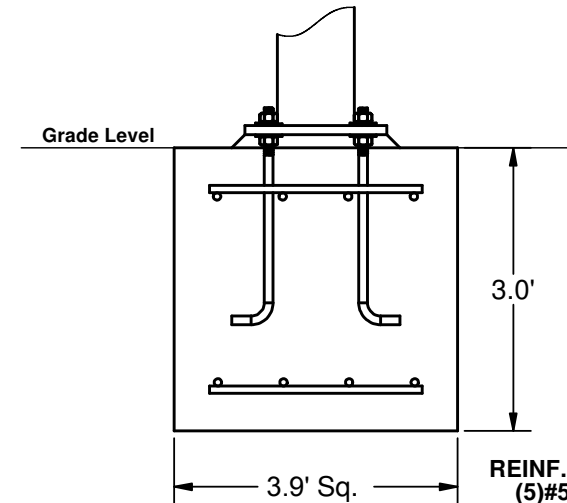
FRONT VIEW

SIDE VIEW

REF.#	PART DESCRIPTION	QTY.
1	Ø6.6" Capped Surface Mount Column	4
2	Angled Elbow	4
3	Ø3.5" Hip Rafter w/ Swaged End	4
4	Ø3.5" Ridge Pole w/ Swaged Ends	1
5	Rectangle "Y" Connection	2
6	Fabric Cover w/ Cable Insert	1
7	Frame Hardware Kit	1



TRIMETRIC VIEW



FOOTING DETAIL

REINF.
(5)#5 EW
Top And Bottom

*Footing design based on 1500 PSF soil bearing pressure.



SUPERIOR
RECREATIONAL PRODUCTS

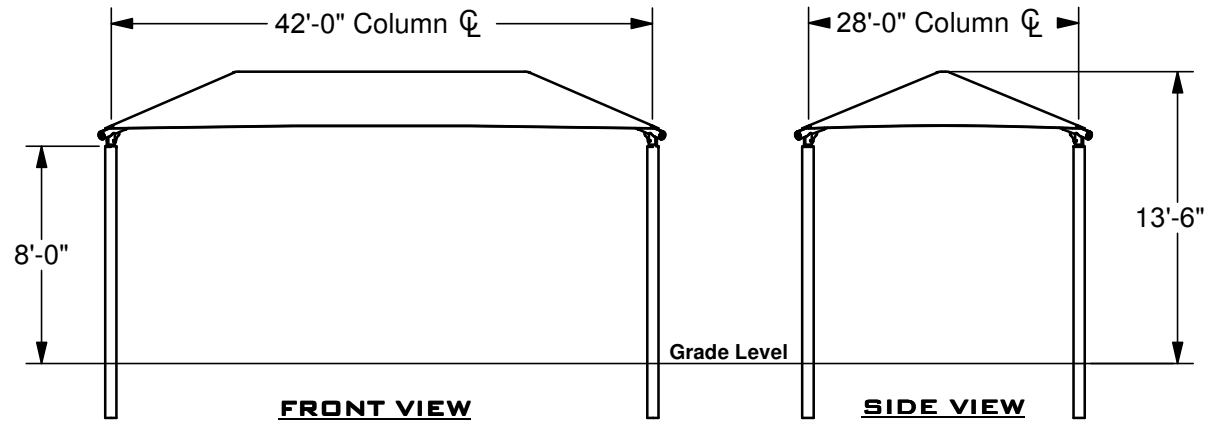
1050 Columbia Drive
Carrollton, Georgia
1.888.829.8997 | 770.834.2764 (f)

These drawings are for reference only and should not be used as construction details. Materials, fasteners, and foundations are subject to change if professionally sealed engineering drawings are required. Designed for 93 MPH Basic Wind Speed.

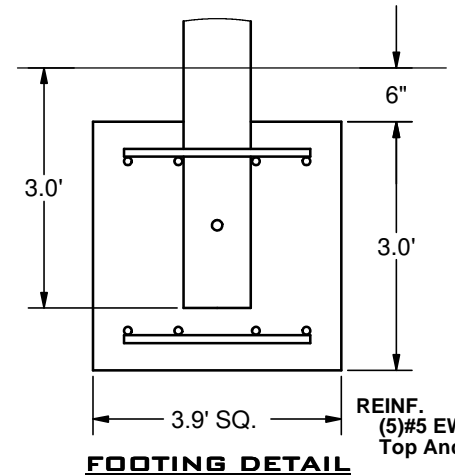
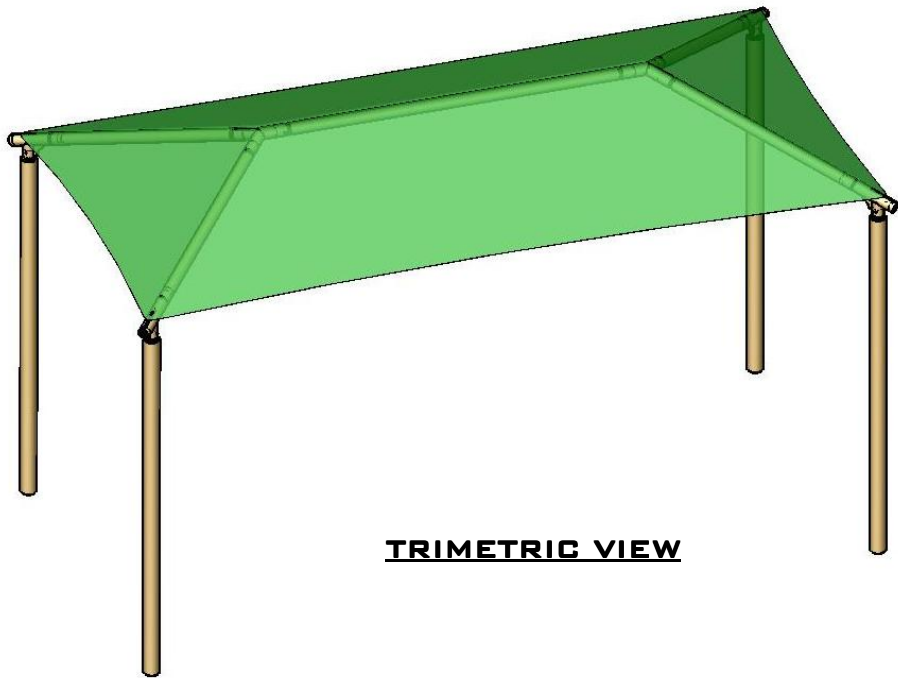
RECTANGLE HIP SHADE

28' x 42' x 8'

MODEL #:
RD284208IG (With Glide Elbows)
RD284208IN (Without Glide Elbows)



REF.#	PART DESCRIPTION	QTY.
1	Ø6.6" Capped Embedded Column	4
2	Angled Elbow	4
3	Ø3.5" Hip Rafter w/ Swaged End	4
4	Ø3.5" Ridge Pole w/ Swaged Ends	1
5	Rectangle "Y" Connection	2
6	Fabric Cover w/ Cable Insert	1
7	Frame Hardware Kit	1



*Footing design based on 1500 PSF soil bearing pressure.



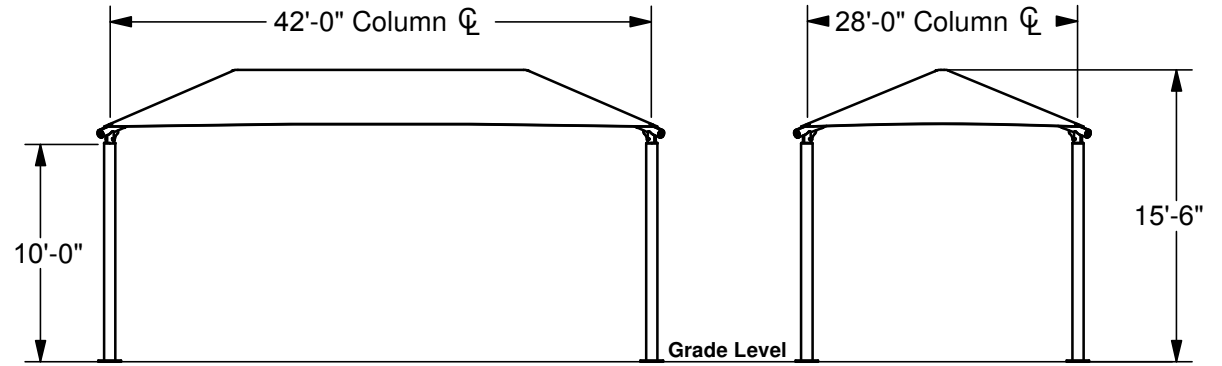
1050 Columbia Drive
Carrollton, Georgia
1.888.829.8997 | 770.834.2764 (f)

These drawings are for reference only and should not be used as construction details. Materials, fasteners, and foundations are subject to change if professionally sealed engineering drawings are required. Designed for 93 MPH Basic Wind Speed.

RECTANGLE HIP SHADE

28' x 42' x 10'

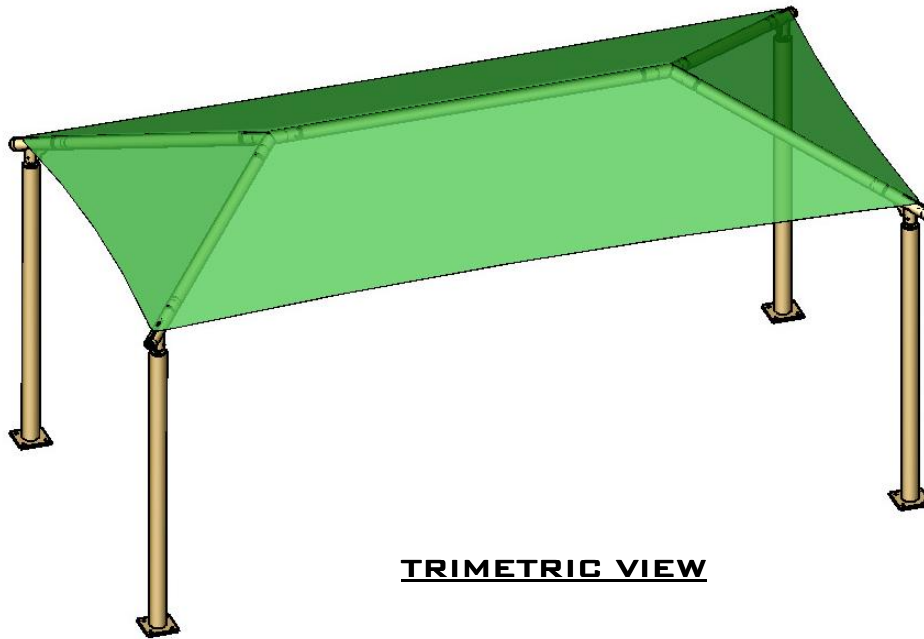
MODEL #:
RD284210SG (With Glide Elbows)
RD284210SN (Without Glide Elbows)



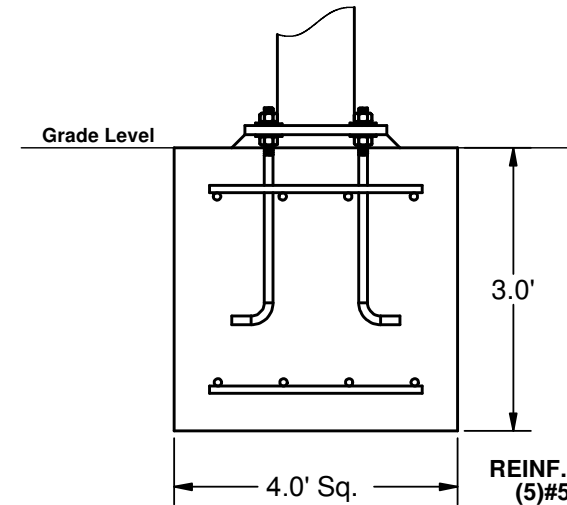
FRONT VIEW

SIDE VIEW

REF.#	PART DESCRIPTION	QTY.
1	Ø6.6" Capped Surface Mount Column	4
2	Angled Elbow	4
3	Ø3.5" Hip Rafter w/ Swaged End	4
4	Ø3.5" Ridge Pole w/ Swaged Ends	1
5	Rectangle "Y" Connection	2
6	Fabric Cover w/ Cable Insert	1
7	Frame Hardware Kit	1



TRIMETRIC VIEW



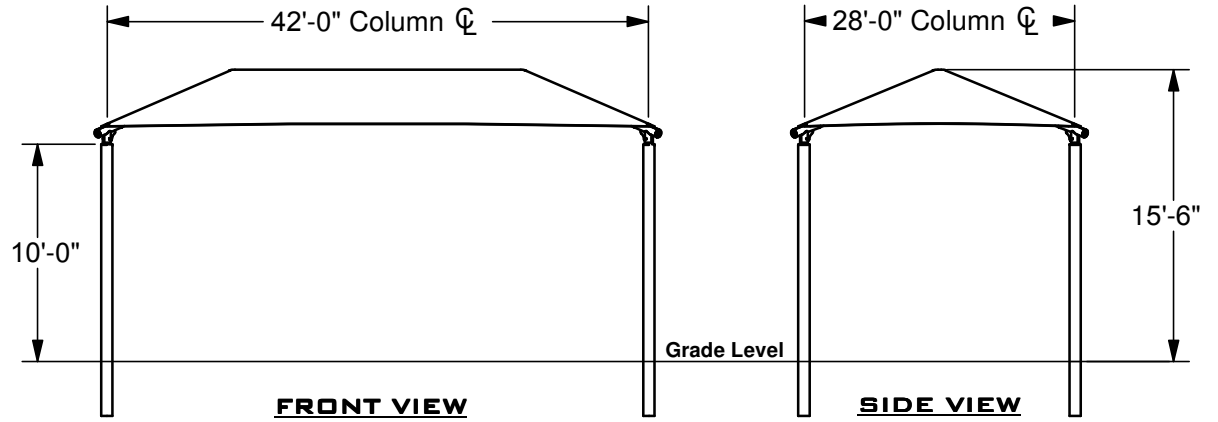
FOOTING DETAIL

REINF.
(5)#5 EW
Top And Bottom
*Footing design based on 1500 PSF soil bearing pressure.

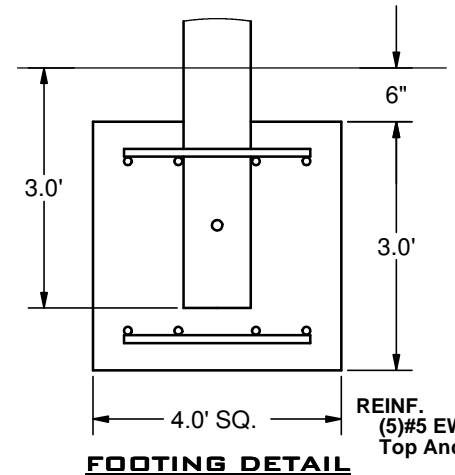
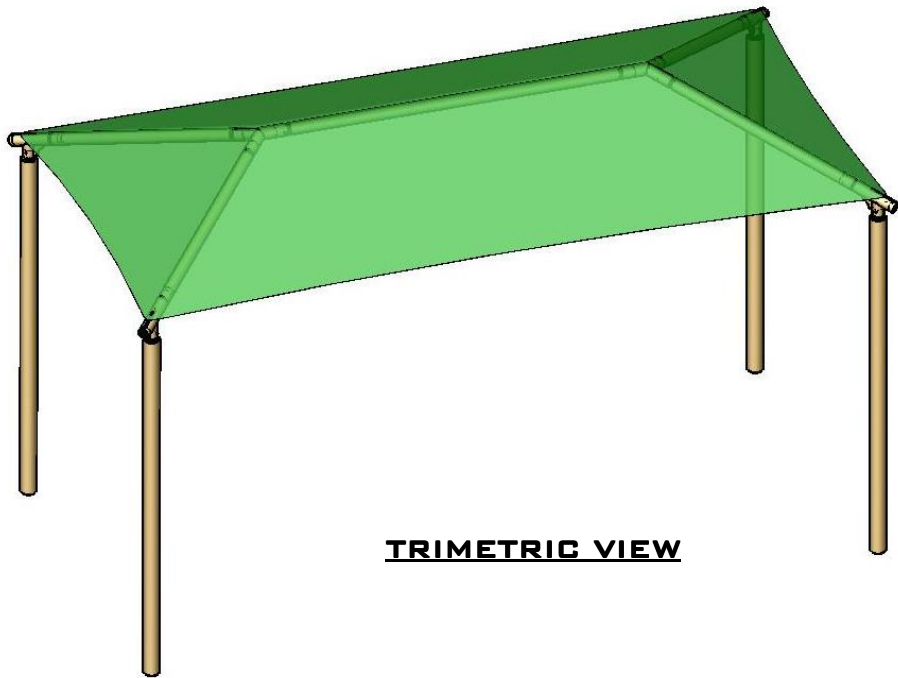
RECTANGLE HIP SHADE

28' x 42' x 10'

MODEL #:
RD284210IG (With Glide Elbows)
RD284210IN (Without Glide Elbows)



REF.#	PART DESCRIPTION	QTY.
1	Ø6.6" Capped Embedded Column	4
2	Angled Elbow	4
3	Ø3.5" Hip Rafter w/ Swaged End	4
4	Ø3.5" Ridge Pole w/ Swaged Ends	1
5	Rectangle "Y" Connection	2
6	Fabric Cover w/ Cable Insert	1
7	Frame Hardware Kit	1



*Footing design based on 1500 PSF soil bearing pressure.



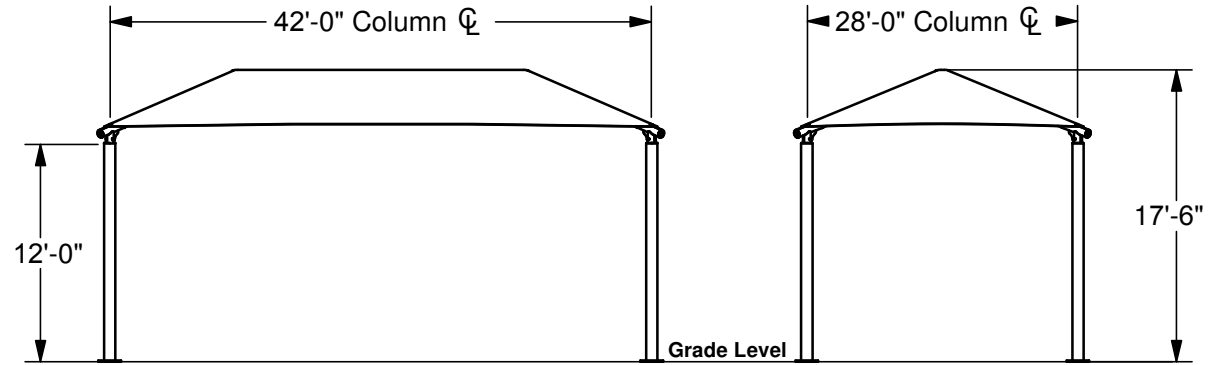
1050 Columbia Drive
Carrollton, Georgia
1.888.829.8997 | 770.834.2764 (f)

These drawings are for reference only and should not be used as construction details. Materials, fasteners, and foundations are subject to change if professionally sealed engineering drawings are required. Designed for 93 MPH Basic Wind Speed.

RECTANGLE HIP SHADE

28' x 42' x 12'

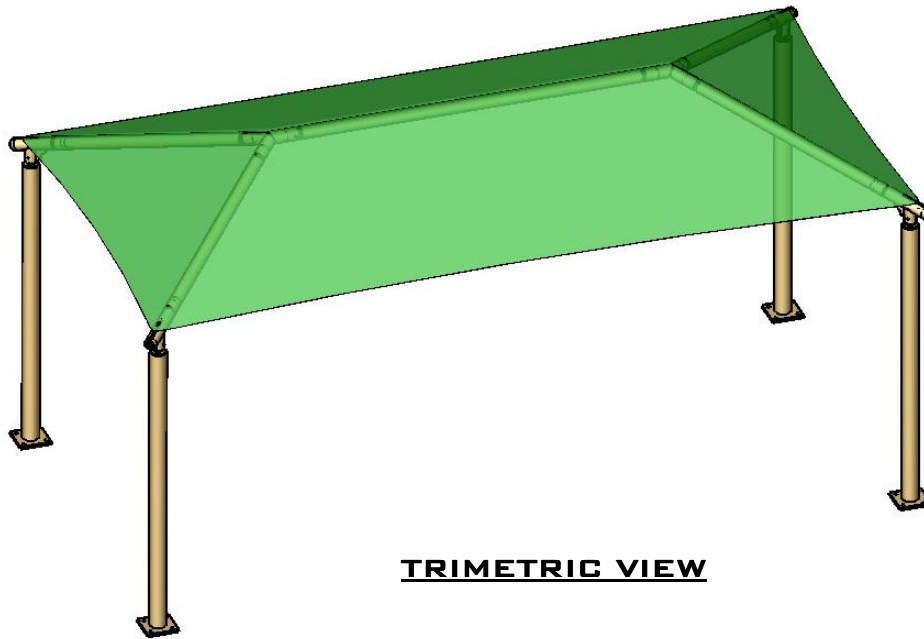
MODEL #:
RD284212SG (With Glide Elbows)
RD284212SN (Without Glide Elbows)



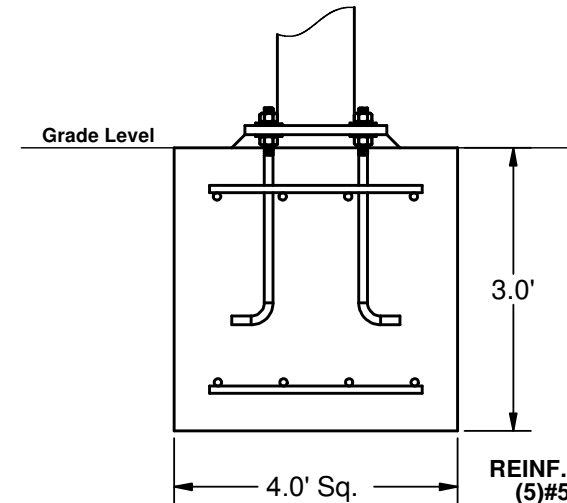
FRONT VIEW

SIDE VIEW

REF.#	PART DESCRIPTION	QTY.
1	Ø8.6" Capped Surface Mount Column	4
2	Angled Elbow	4
3	Ø3.5" Hip Rafter w/ Swaged End	4
4	Ø3.5" Ridge Pole w/ Swaged Ends	1
5	Rectangle "Y" Connection	2
6	Fabric Cover w/ Cable Insert	1
7	Frame Hardware Kit	1



TRIMETRIC VIEW



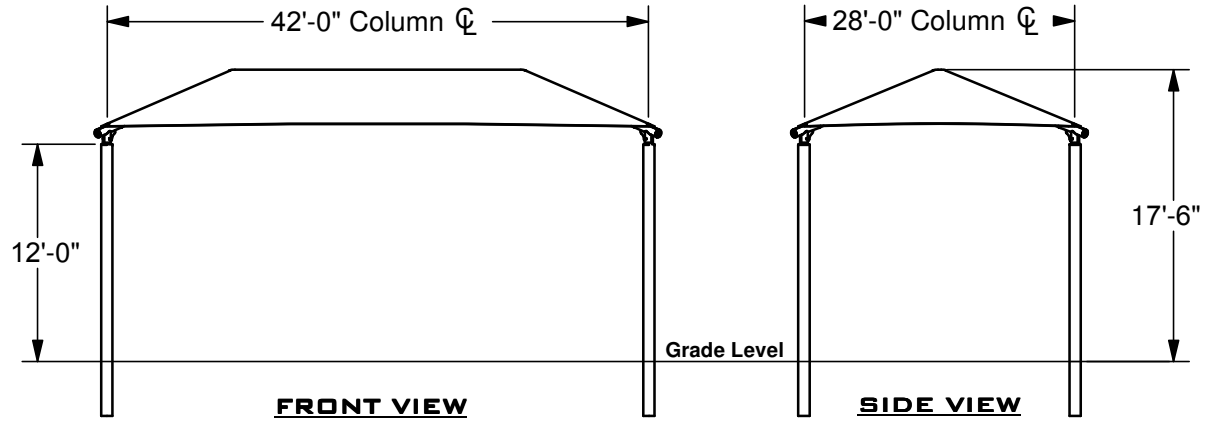
REINF.
(5)#5 EW
Top And Bottom

*Footing design based on 1500 PSF soil bearing pressure.

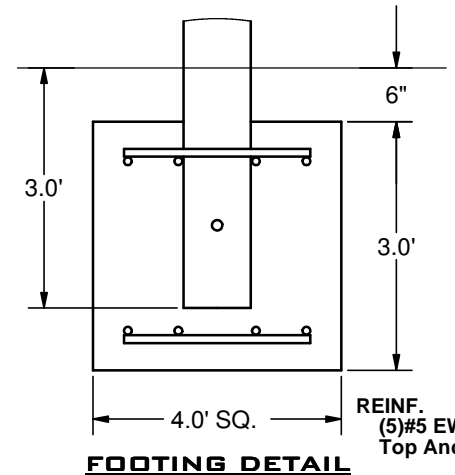
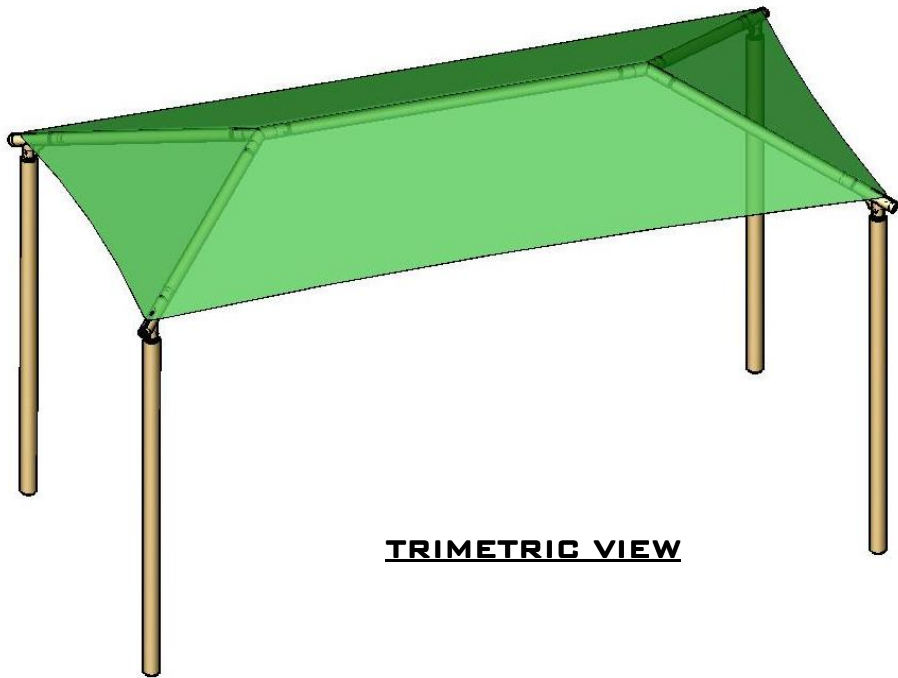
RECTANGLE HIP SHADE

28' x 42' x 12'

MODEL #:
RD284212IG (With Glide Elbows)
RD284212IN (Without Glide Elbows)



REF.#	PART DESCRIPTION	QTY.
1	Ø8.6" Capped Embedded Column	4
2	Angled Elbow	4
3	Ø3.5" Hip Rafter w/ Swaged End	4
4	Ø3.5" Ridge Pole w/ Swaged Ends	1
5	Rectangle "Y" Connection	2
6	Fabric Cover w/ Cable Insert	1
7	Frame Hardware Kit	1



*Footing design based on 1500 PSF soil bearing pressure.



1050 Columbia Drive
Carrollton, Georgia
1.888.829.8997 | 770.834.2764 (f)

These drawings are for reference only and should not be used as construction details. Materials, fasteners, and foundations are subject to change if professionally sealed engineering drawings are required. Designed for 93 MPH Basic Wind Speed.