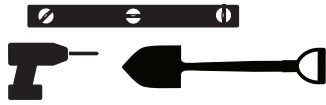


User Group: 2-12 yrs

Recommended Crew:



Tools:



Install Time: 1 hour

Additional Items to Aid in Installation

2x4 for Bracing

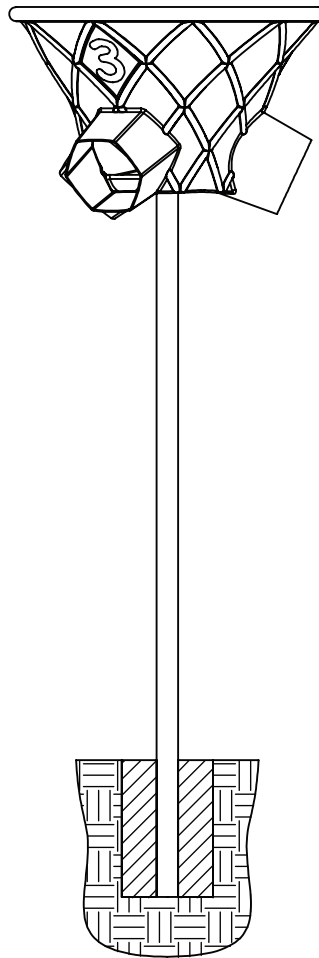
Wooden Stakes for Bracing

3" Wood Screws

36" Zip Ties

Red Loctite

6 ft Step Ladder

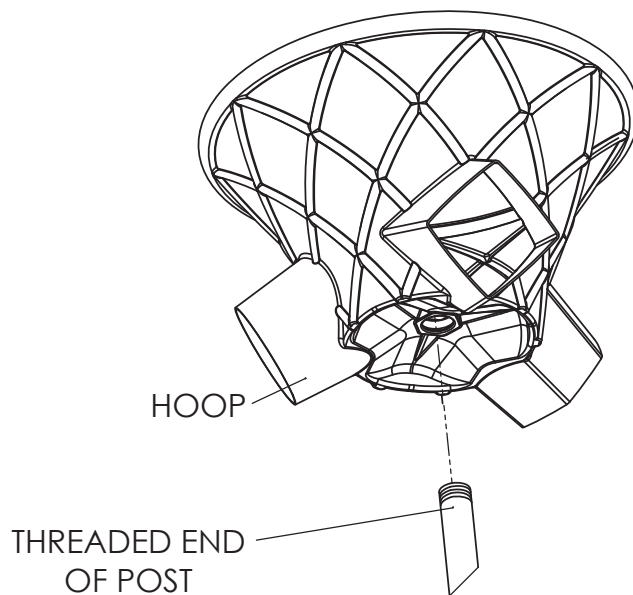


PRE-INSTALLATION CHECK:

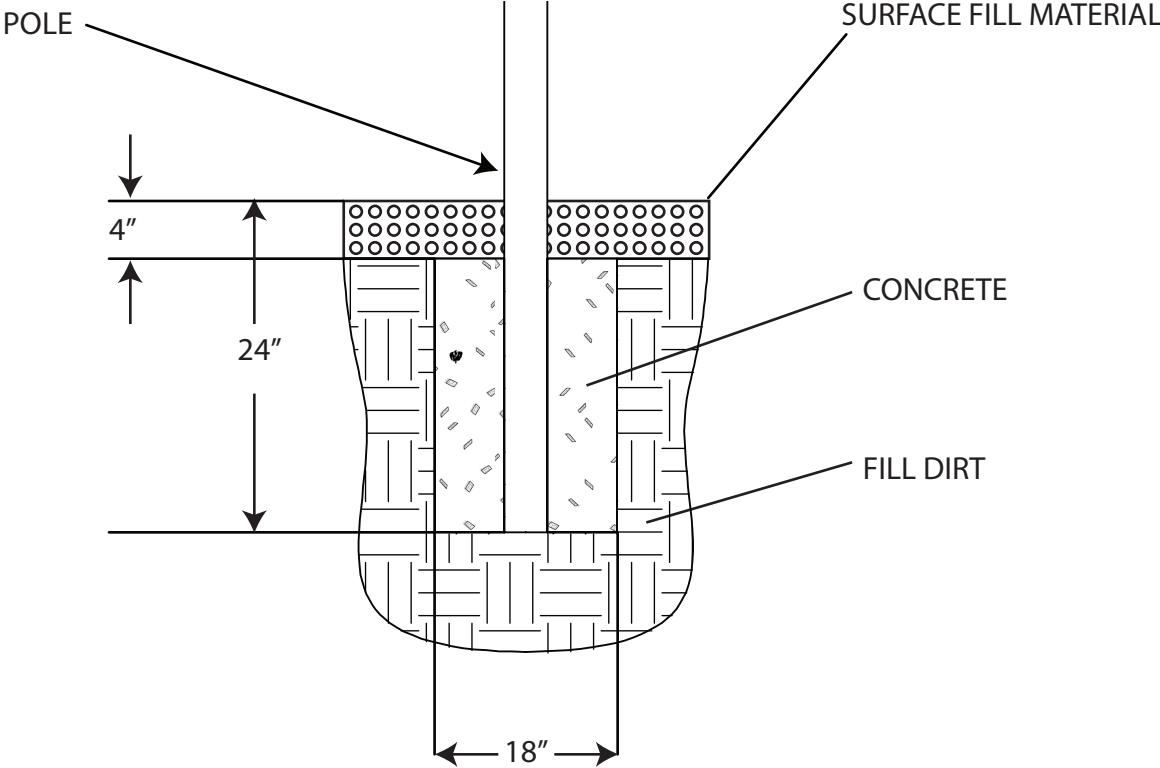
Compare all items to the packing list. Notify your local sales representative if parts are missing or damaged.

Before beginning installation, make sure that you have read and understand this entire Installation Guide. If you have a question regarding anything covered in this Installation Guide, contact your local sales representative.

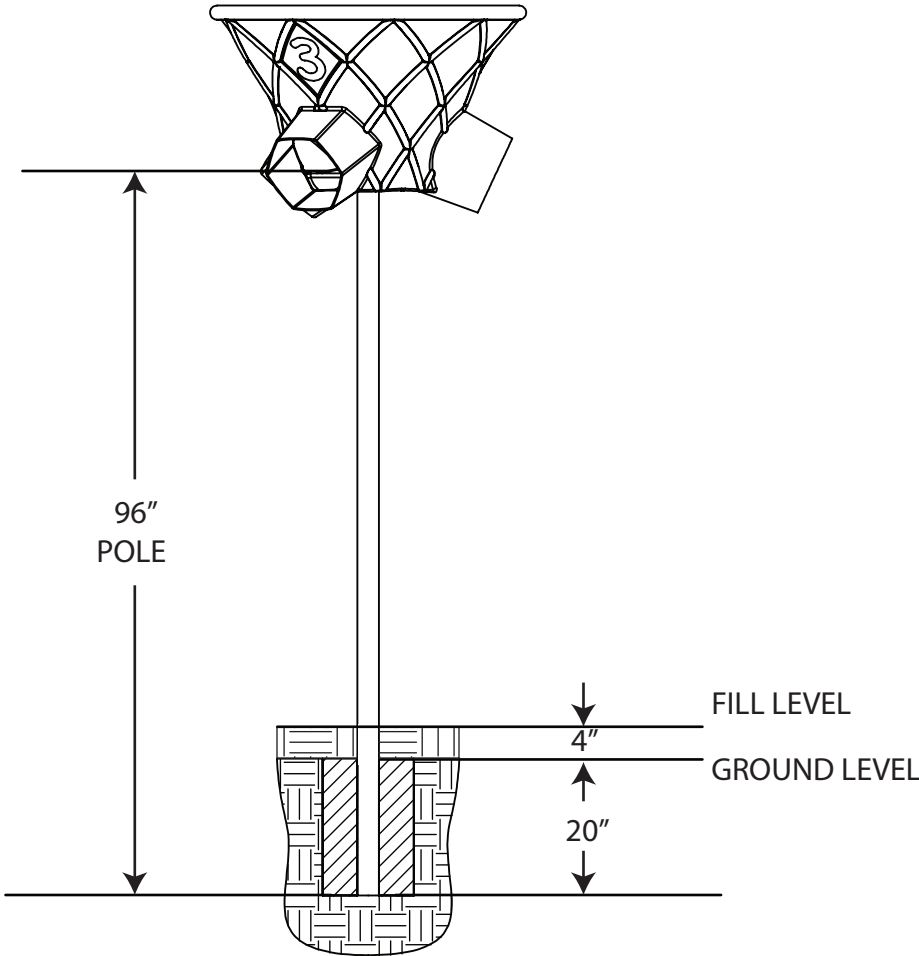
- 1** Refer to **PLAN VIEW** and the **FOOTING LAYOUT** to determine center position of Triple Shoot.
- 2** Excavate the footing as shown in the **FOOTING LAYOUT** and **FOOTING ELEVATION** images. The hole should be approximately 18” wide by 24” deep.
- 3** Set Post into excavated footing. Set and brace post so that the top of the post is 72” above the top of the finished surface. Use a level to assure that the post is plumb with the ground surface. Please use 2x4’s, wooden stakes and 36” zip ties to temporarily secure the pole in a plumb position. (See Illustration on Page 5)
- 4** Pour concrete in footing to the correct level. Fill remainder of footing with dirt. Allow concrete to harden for at least 48 hours before use. **NOTE:** Concrete must have a minimum rating of 2,500 psi and must be mixed per manufacturer's recommendations.
- 5** Apply thread lock to the top of the threaded post and place the triple-shoot hoop on the top of the threaded post. Then hand-tighten the triple shoot onto the threaded end of the Post.



PLAN VIEW



FOOTING LAYOUT



TEMPORARY POST BRACING

