

USER GROUP: 2-5 Years

RECOMMENDED CREW: 4 People

TOOLS REQUIRED:

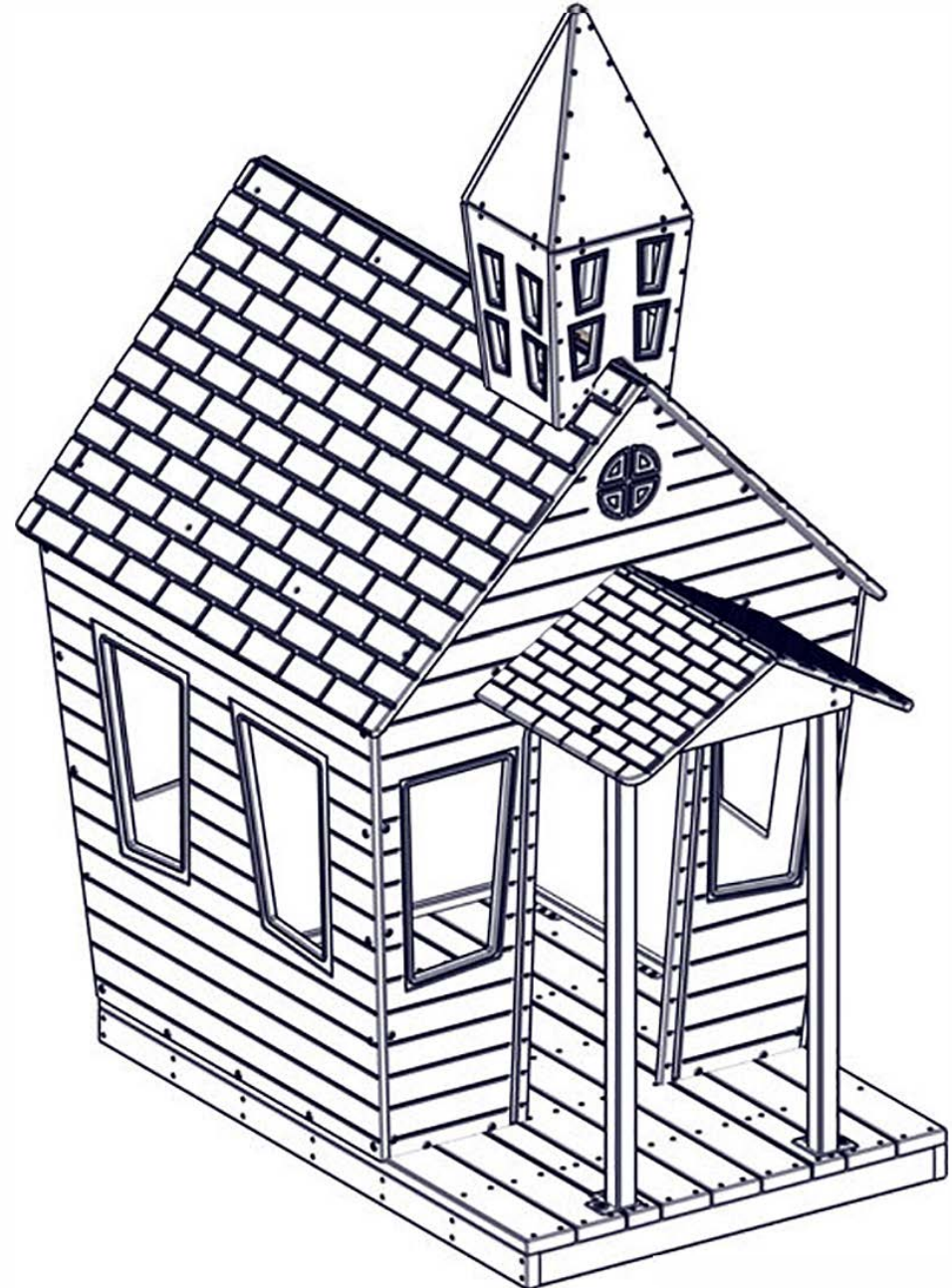
- T-30, TT-30 Torx, 3/16" Allen wrench, #2 square drive
- Level
- Drill Bits: 3/32", 5/32", 7/64", 7/32", 21/64"
- High Speed 3/8" Electric Drill with Clutch

NOTE: Use of any other driver may result in damage to tool and/or hardware!

INSTALLATION TIME: 3 Hours

WEIGHT: 1,000 lbs.

CONCRETE REQUIRED: None



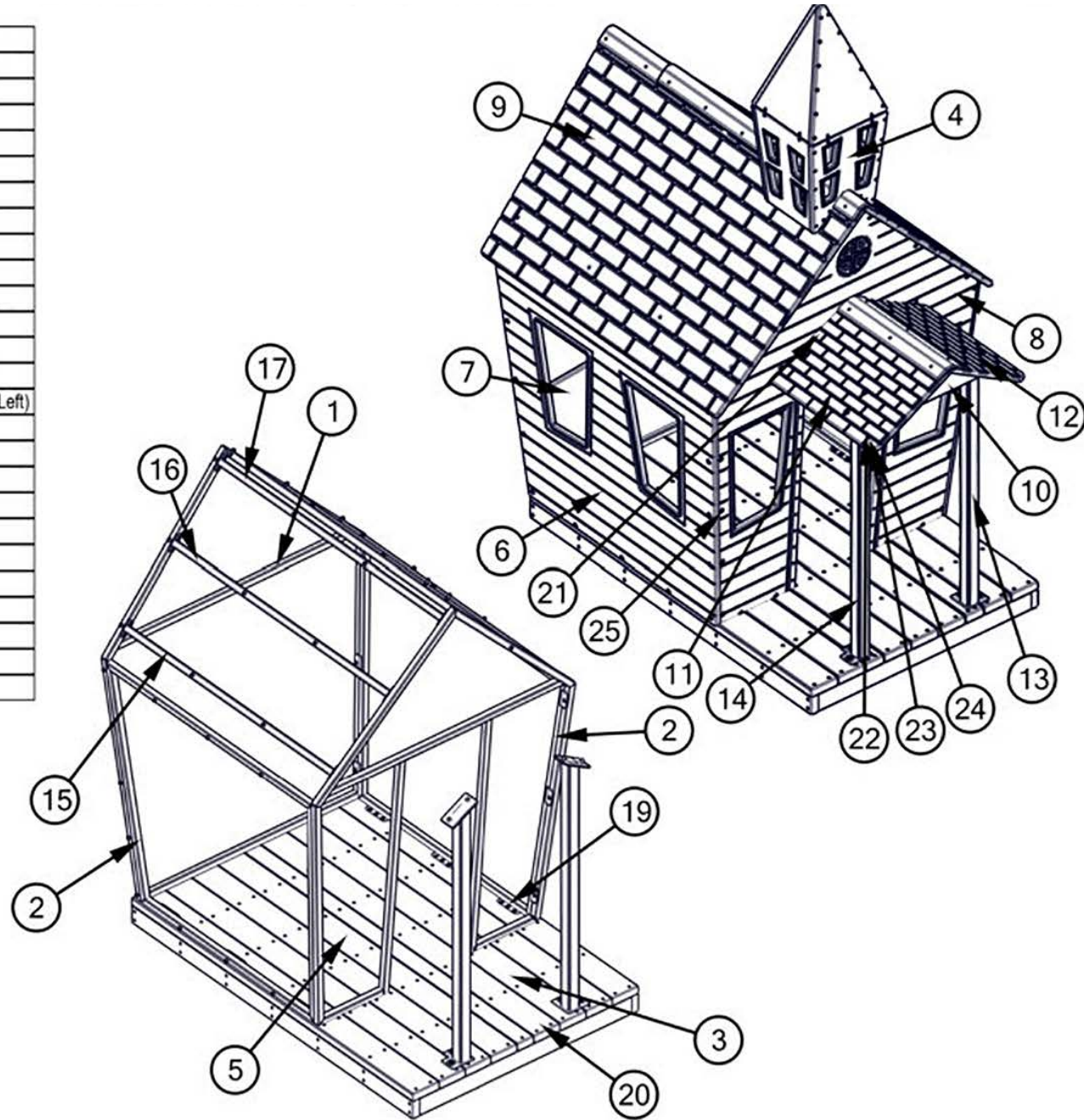
PRE-INSTALLATION CHECK:

Customer is responsible for verifying materials received by comparing received items with packing list. If any parts are missing or damaged, contact your local sales representative immediately.

Supplier is not responsible for items discovered missing after 72 hours from time of delivery.

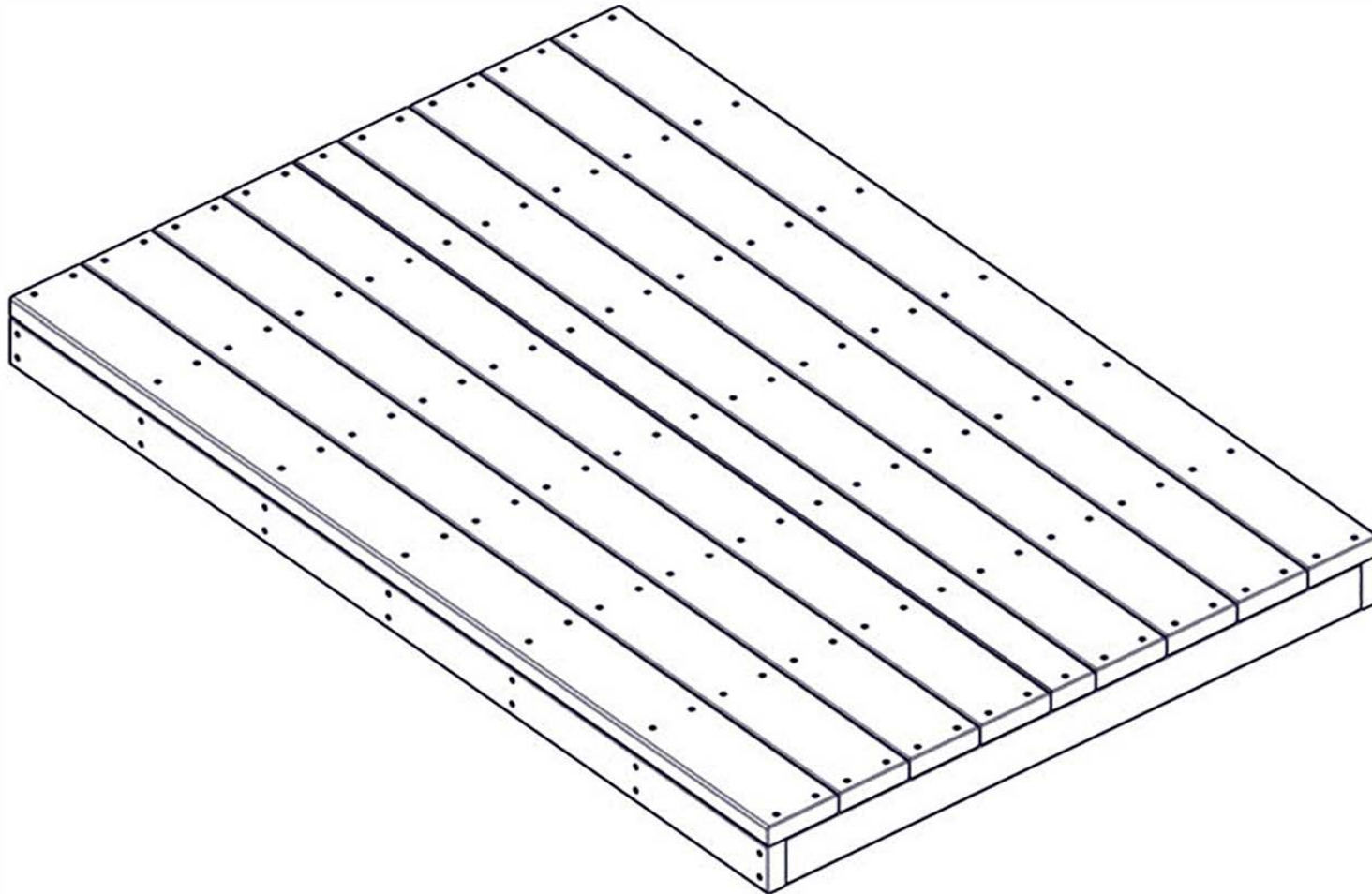
Before beginning installation, all installers must read and understand the Installation Introduction manual as supplied. If you did not receive a copy, or if you have any questions regarding any information in the Installation Instructions or this Installation Guideline, contact your local sales representative.

ITEM	Part No.	QTY	DESCRIPTION
1	AFB-31124XX	1	Wldmnt - R-town School/House Back Panel Frame
2	AFB-31123XX	2	Wldmnt - R-town School/House Side Panel Frame
3	TRA0162XX	1	Pre-Assem. - R-Town Deck
4	RSA-0976XX	1	Sheet - R-Town Church Steeple
5	AFB-31669XX	1	Wldmnt - R-town Church Front Panel Frame
6	RSP-1882XX	2	Sheet - R-Town® Cottage Side Wall Panel
7	RSP-2460XX	1	Sheet - R-Town® Back Panel
8	RSP-2458XX	1	Sheet - R-Town Church Front Panel
9	RSP-1674XX	2	Sheet - R-Town Roof
10	RSP-1669XX	1	Sheet - R-Town School Porch Roof Support
11	RSP-1677XX	1	Sheet - R-Town Porch Roof (Left Side)
12	RSP-1678XX	1	Sheet - R-Town Porch Roof (Right Side)
13	AFB-31145XX	1	Wldmnt - R-town Porch Roof Support Post (Right)
14	AFB-31670XX	1	Wldmnt - R-town Church Porch Roof Support Post(Left)
15	AFB-31149XX	2	Wldmnt - R-town Roof Support Bottom
16	AFB-31150XX	2	Wldmnt - R-town Roof Support Middle
17	AFB-31151XX	2	Wldmnt - R-town Roof Support Top
18	HWS0021	60	Screw - 1/4" x 1" Self Tapping Torx w/Patch
19	HWS0298	29	Screw - 1/4" x 1-1/2" RSSSS
20	HWWR0092	4	Washer 3/8" ID x 1-1/4" OD Flat SS
21	HWS0107	2	Screw #8 x 1-5/8" Deck SS
22	HWB0344	4	Bolt - 5/16"-18 x 3/4" ABH SS
23	HWN0149	4	Nut - 5/16 - Zn Insert Type I
24	HWWR0114	4	Washer 5/16 ID x 3/4 OD Flat .05
25	HWS0081	81	3/8" x 1-1/4" Self Tapping Torx w/patch



STEP 1

Place deck into final location. Deck will not be moved once placed. Refer to the site plan drawing and site elevation drawing for placement of all structures. Installer is responsible for proper location of all structures. Either end of deck can be designated as the front.



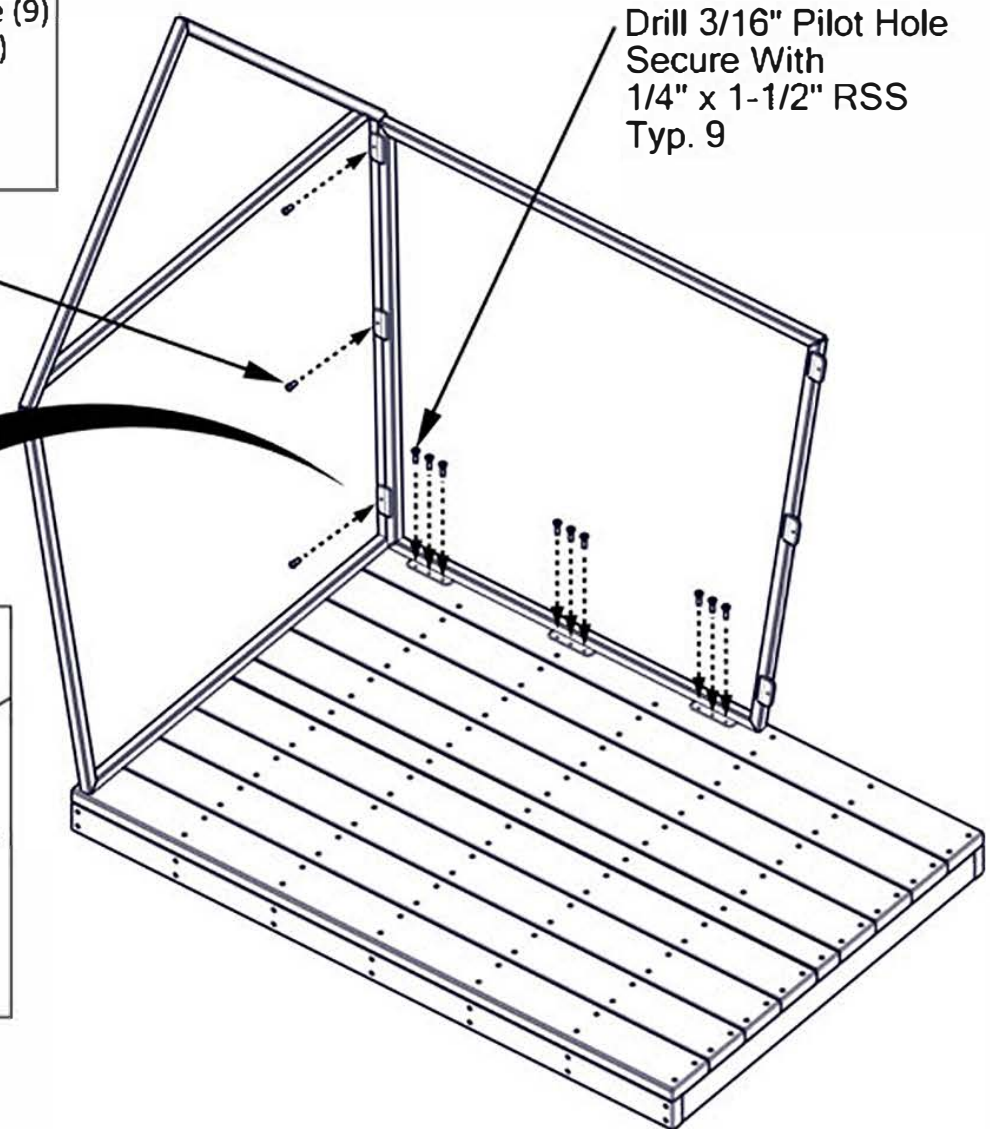
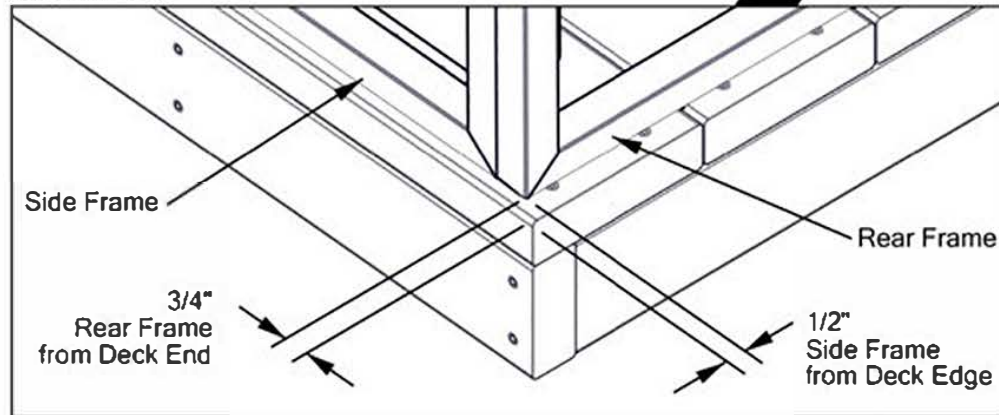
STEP 2

Mount rear frame and side frame. Place rear frame 3/4" from rear edge of deck. Center rear frame on deck. Place side frame 1/2" from side edge of deck. See Detail 2-1. At bottom plates on side frame, drill nine (9) 3/16" pilot holes through bottom plates into deck. Secure with nine (9) 1/4" x 1-1/2" RSS. At edge plates on side frame, secure with three (3) 1/4" x 1" self-tapping Torx. Pilot holes are not required. Bracing may be required until all frames are mounted.

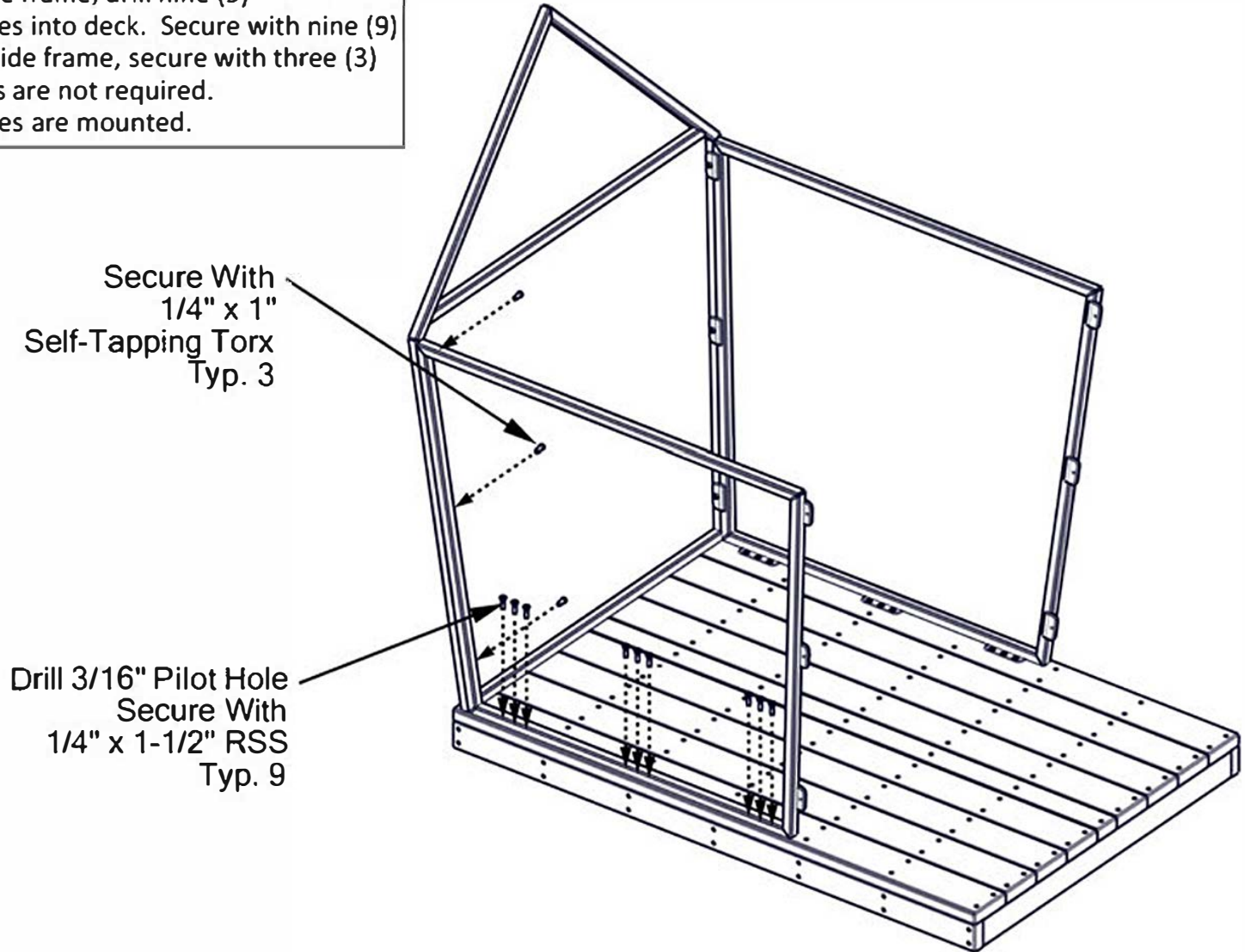
Secure With
1/4" x 1"
Self-Tapping Torx
Typ. 3

Drill 3/16" Pilot Hole
Secure With
1/4" x 1-1/2" RSS
Typ. 9

Detail 2-1

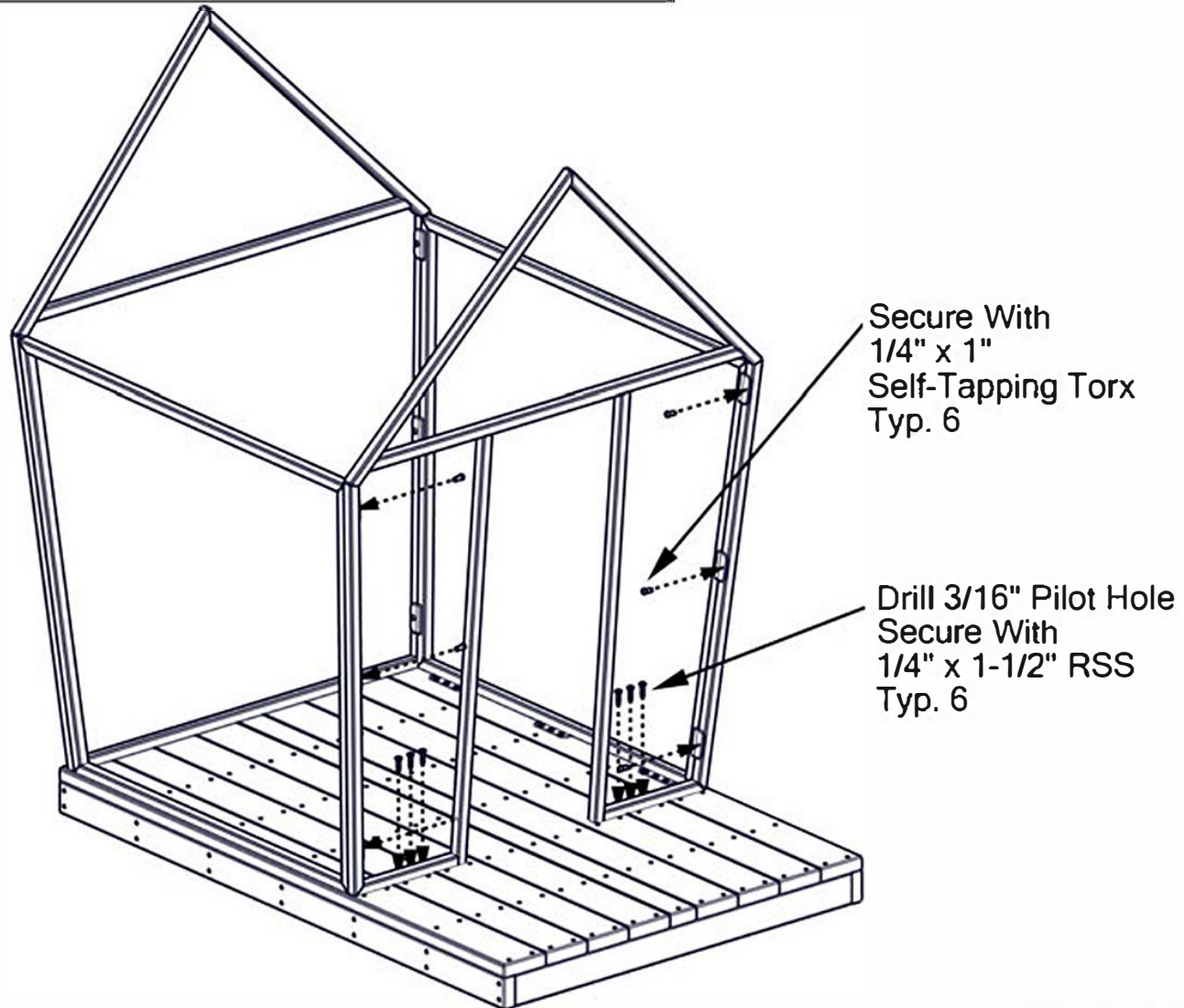


STEP 3
 Secure side frame to rear frame. Place side frame 1/2" from side edge of deck. At bottom plates on side frame, drill nine (9) 3/16" pilot holes through bottom plates into deck. Secure with nine (9) 1/4" x 1-1/2" RSS. At edge plates on side frame, secure with three (3) 1/4" x 1" self-tapping Torx. Pilot holes are not required. Bracing may be required until all frames are mounted.



STEP 4

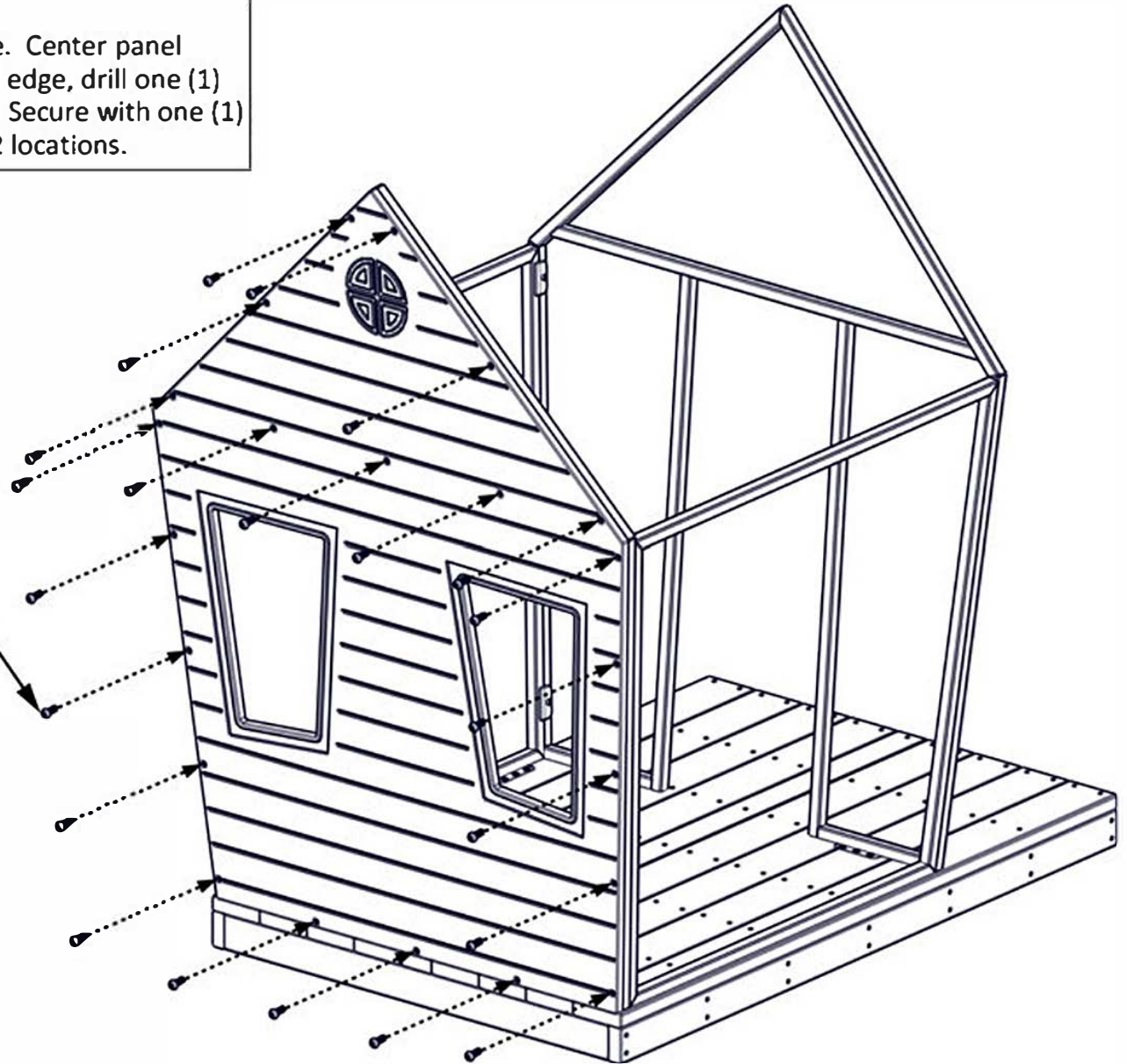
Secure front frame to side frames. Place front frame between side frames. At edge plates on side frames, secure with six (6) 1/4" x 1" self-tapping Torx. Pilot holes are not required. At edge plates on bottom of front frame, drill six (6) 3/16" pilot holes through plates and into deck. Secure with six (6) 1/4" x 1-1/2" RSS.



STEP 5

Mount rear panel. Set panel flush on deck edge. Center panel on rear frame. At each pre-drilled hole in panel edge, drill one (1) 21/64" pilot hole through panel and into frame. Secure with one (1) 3/8" x 1-1/4" self-tapping security Torx. Typ. 22 locations.

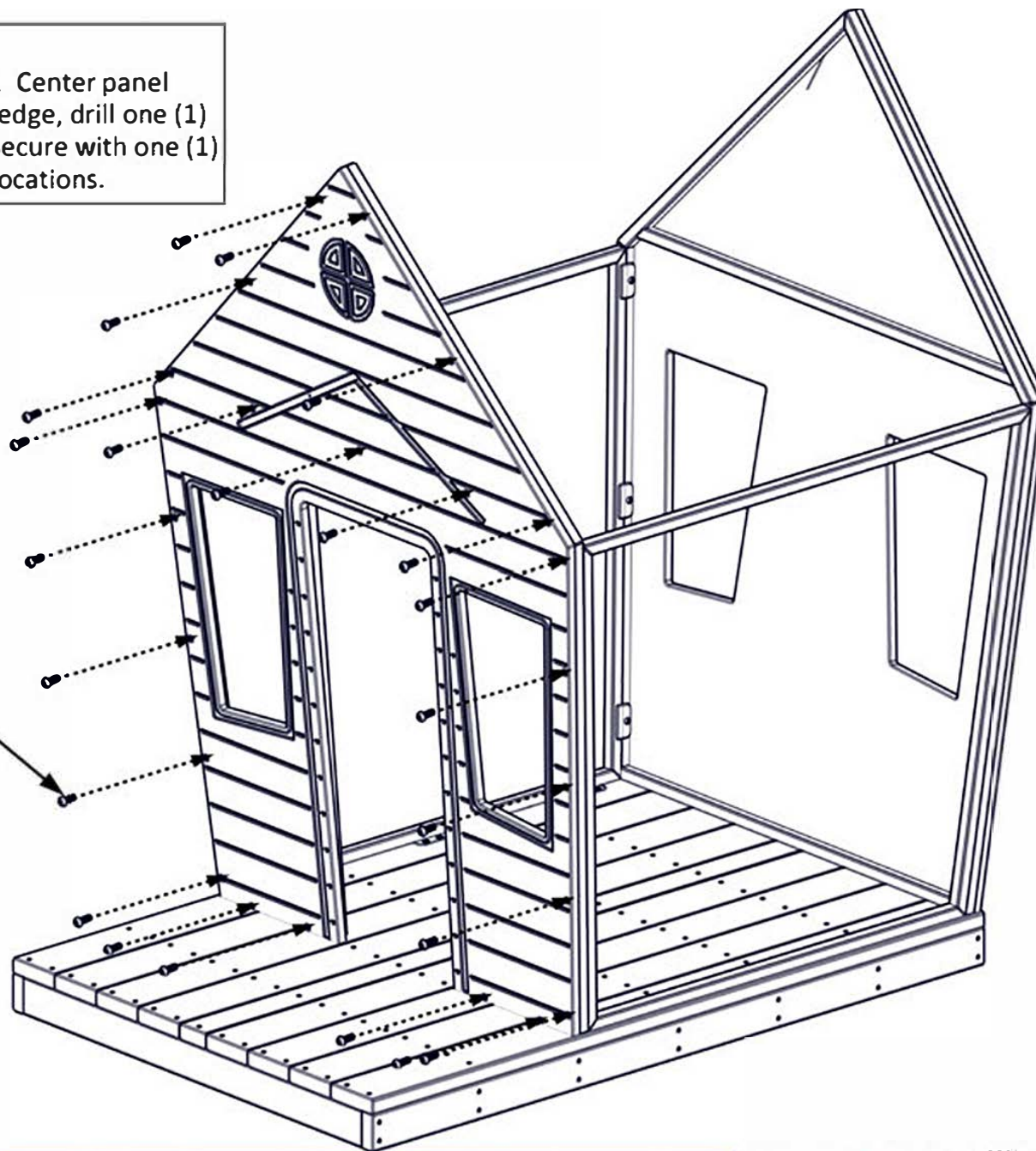
Drill 21/64" Pilot Hole
Secure With
3/8" x 1-1/4" Self-Tapping
Security Torx
Typ. 22



STEP 6

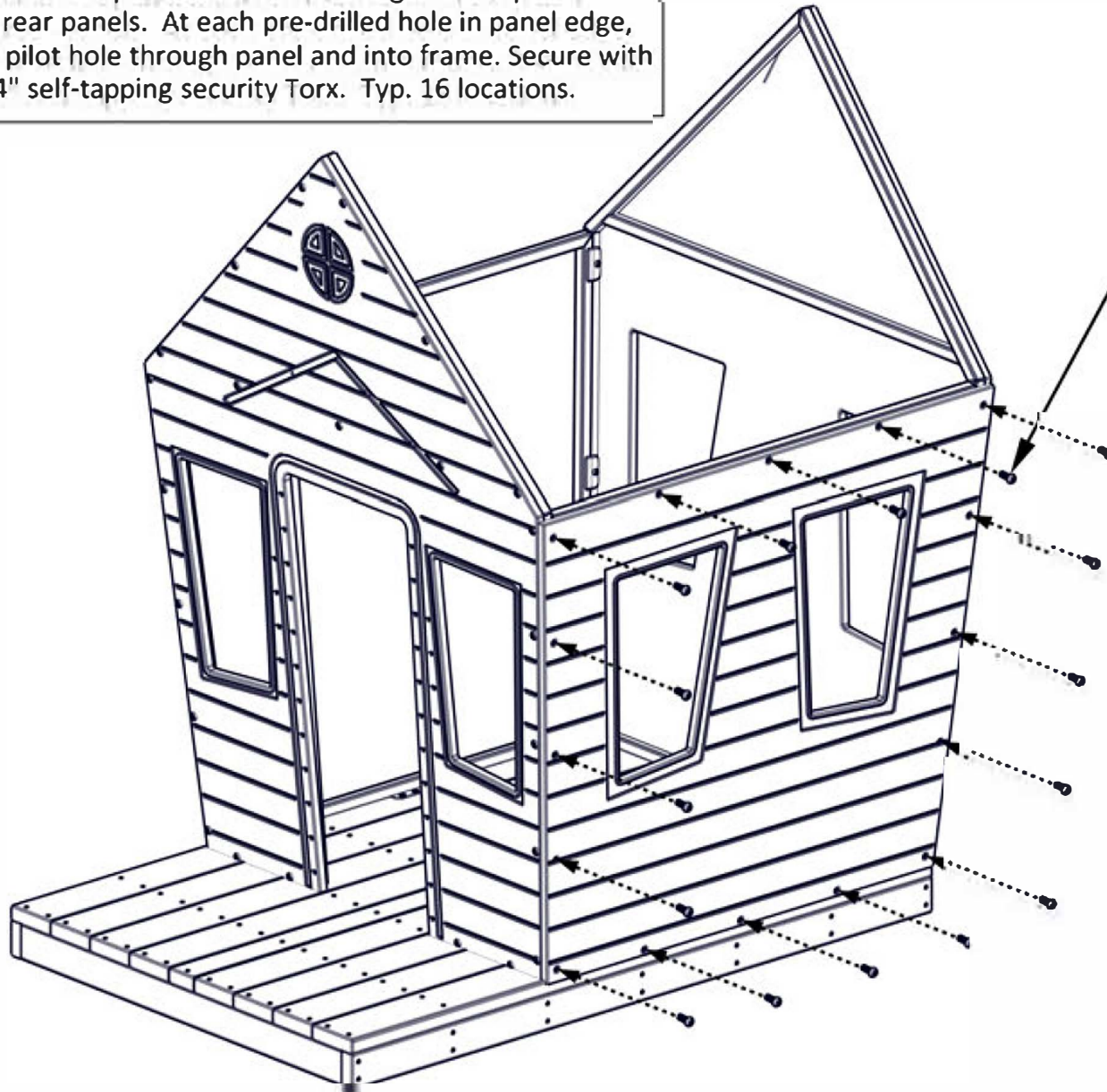
Mount front panel. Set panel flush on deck edge. Center panel on front frame. At each pre-drilled hole in panel edge, drill one (1) 21/64" pilot hole through panel and into frame. Secure with one (1) 3/8" x 1-1/4" self-tapping security Torx. Typ. 23 locations.

Drill 21/64" Pilot Hole
Secure With
3/8" x 1-1/4" Self-Tapping
Security Torx
Typ. 23



STEP 7

Mount right side panel. Set panel flush on deck edge. Place panel between front and rear panels. At each pre-drilled hole in panel edge, drill one (1) 21/64" pilot hole through panel and into frame. Secure with one (1) 3/8" x 1-1/4" self-tapping security Torx. Typ. 16 locations.

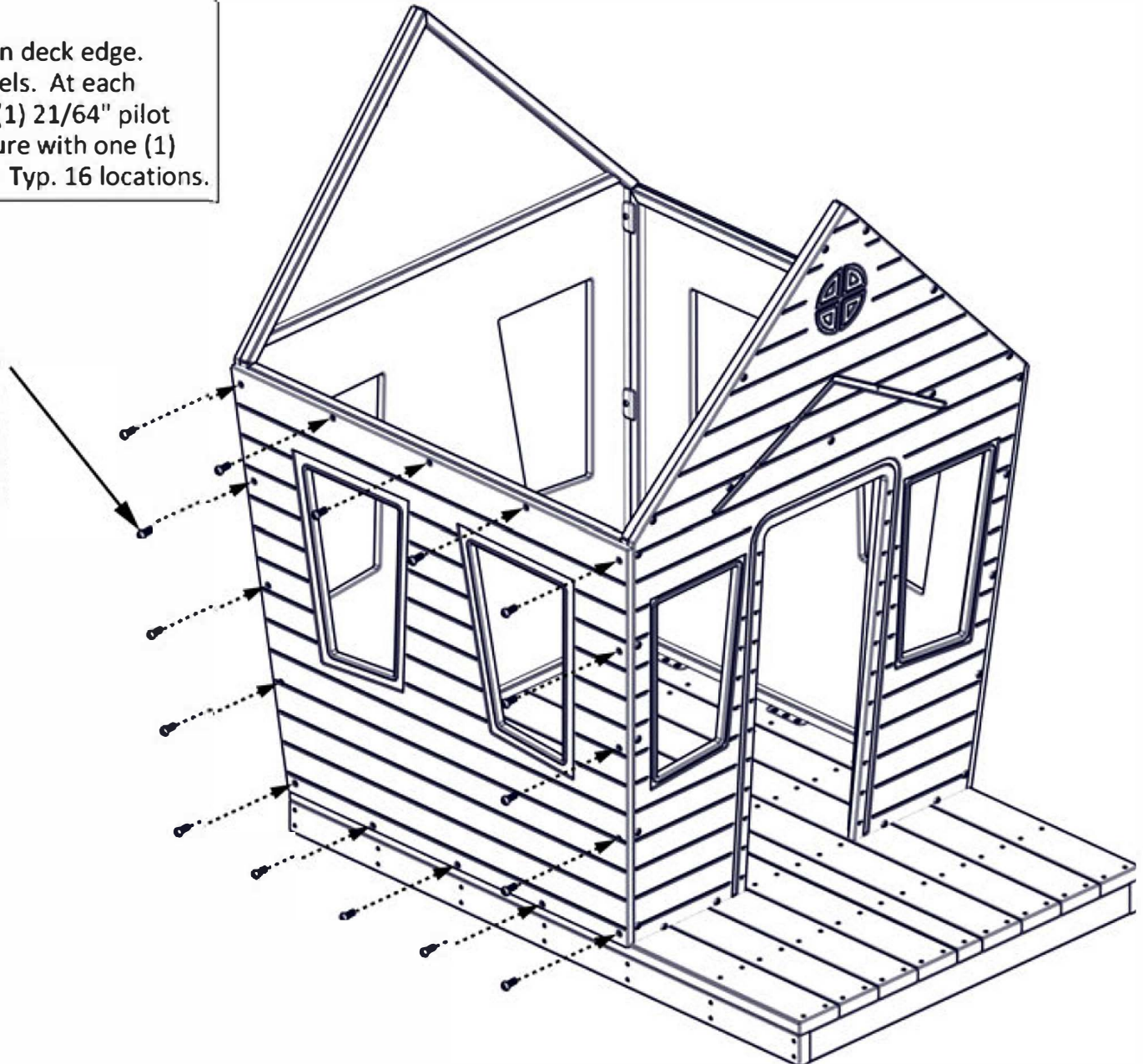


Drill 21/64" Pilot Hole
Secure With
3/8" x 1-1/4" Self-Tapping
Security Torx
Typ. 16

STEP 8

Mount left side panel. Set panel flush on deck edge. Place panel between front and rear panels. At each pre-drilled hole in panel edge, drill one (1) 21/64" pilot hole through panel and into frame. Secure with one (1) 3/8" x 1-1/4" self-tapping security Torx. Typ. 16 locations.

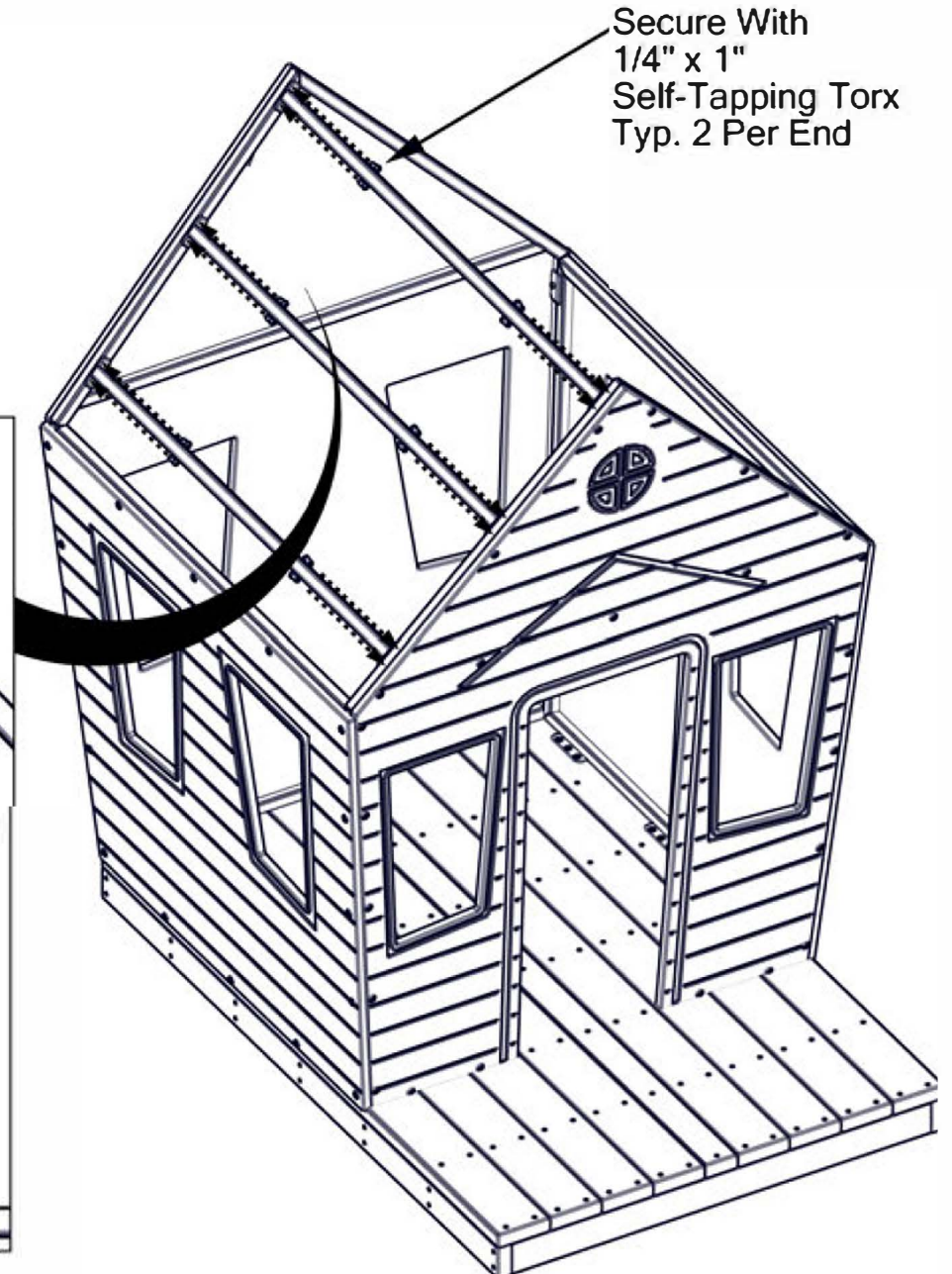
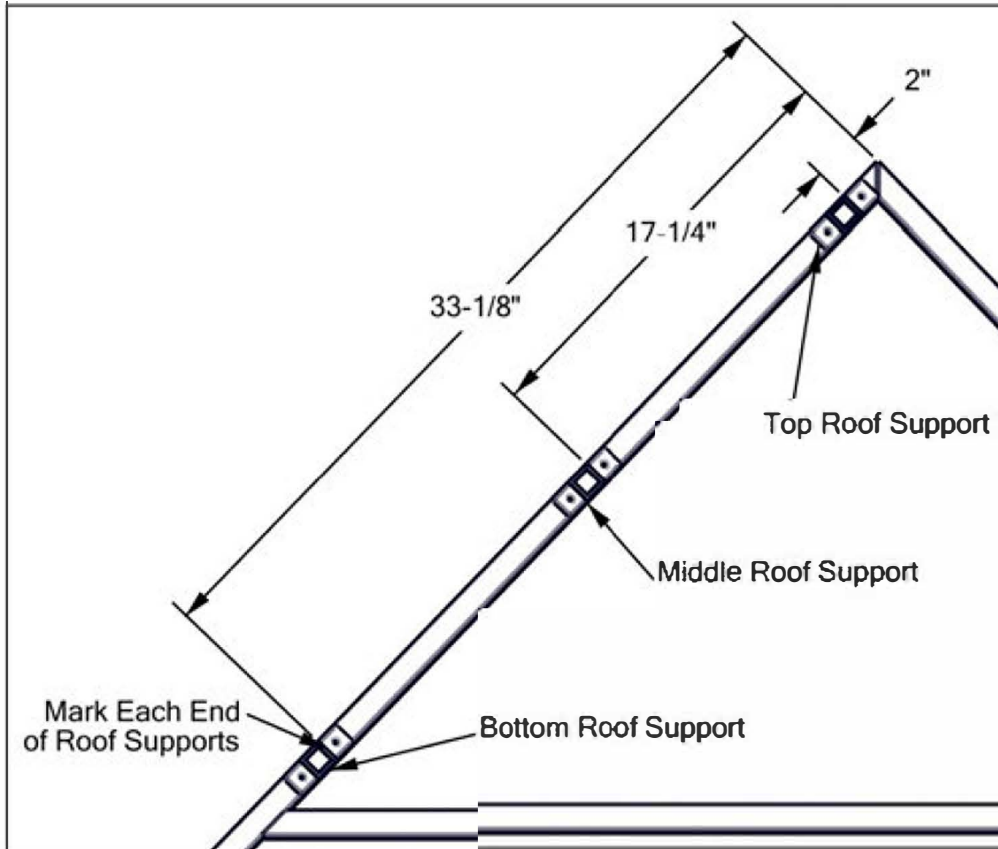
Drill 21/64" Pilot Hole
Secure With
3/8" x 1-1/4" Self-Tapping
Security Torx
Typ. 16



STEP 9

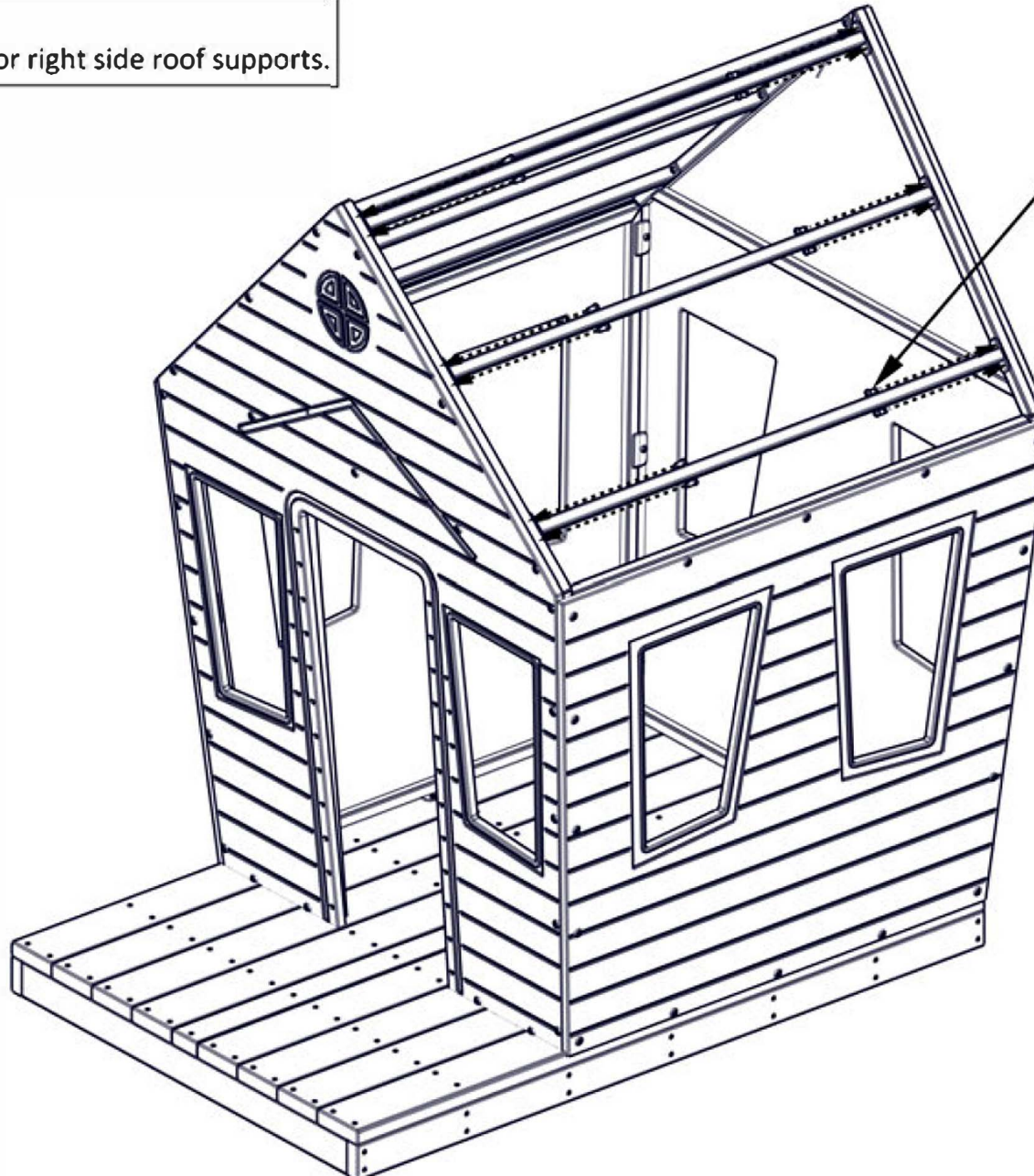
Mount left side roof supports. Roof supports are three lengths. Measure from ridge of front and rear frames to bar of each roof support and mark positions. See Detail 9-1. Secure each end of roof supports with two (2) 1/4" x 1" self-tapping Torx. Repeat for opposite ends of roof supports.

Detail 9-1



STEP 10

Repeat STEP 9 for right side roof supports.

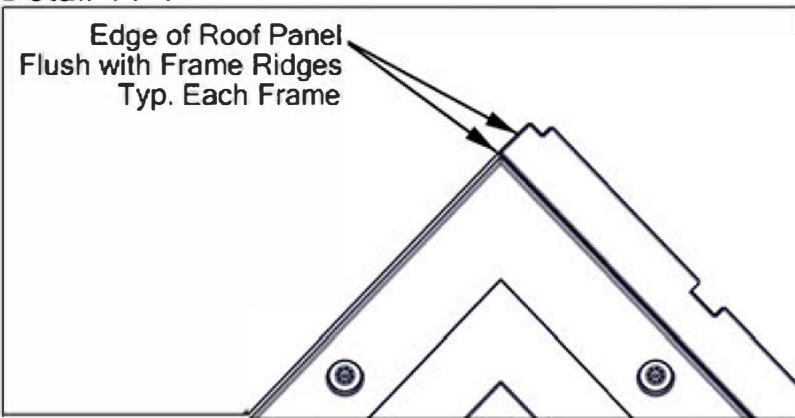


Secure With
1/4" x 1"
Self-Tapping Torx
Typ. 2 Per End

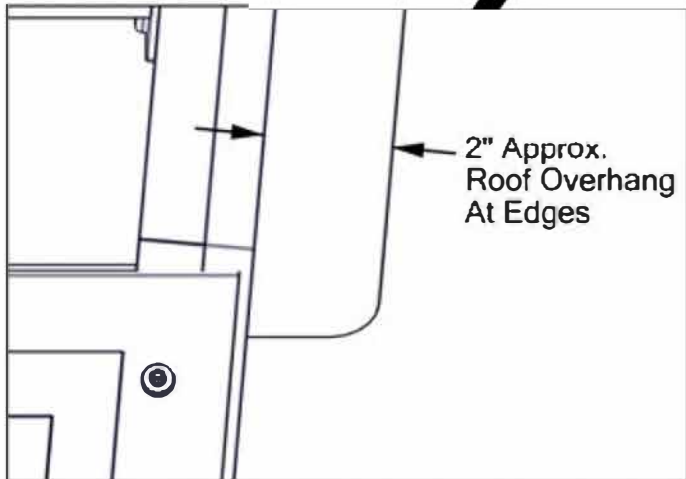
STEP 11

Mount right roof panel. Top edge of roof panel should be flush with frame ridges. See Detail 11-1. Center roof edges on front and rear frames. See Detail 11-2. Align countersunk holes in roof panel with roof support bars. At each countersunk hole, secure roof panel to roof supports with 1/4" x 1" self-tapping Torx. Typ. 12 locations.

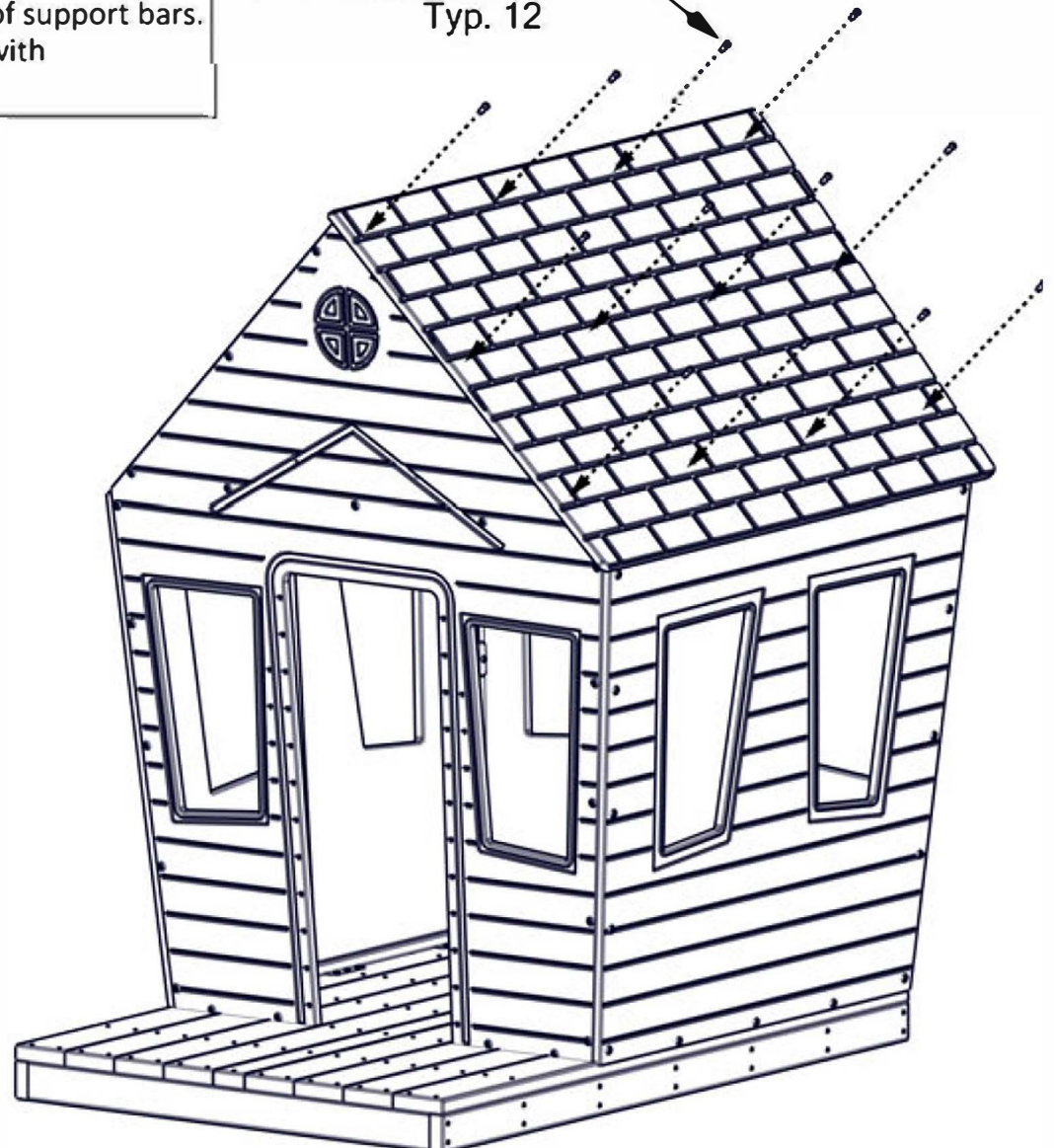
Detail 11-1



Detail 11-2

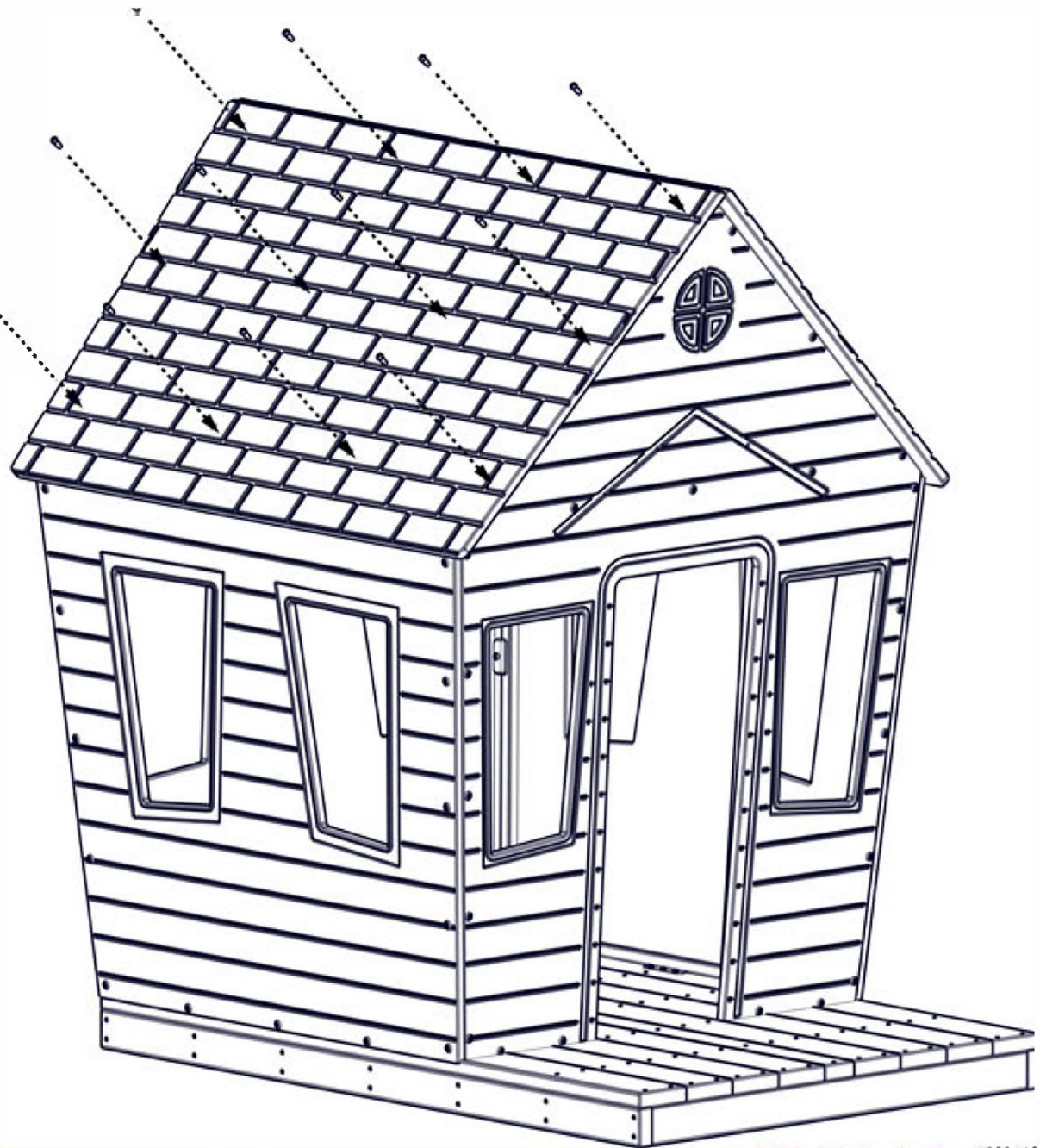


Secure With
1/4" x 1"
Self-Tapping Torx
Typ. 12



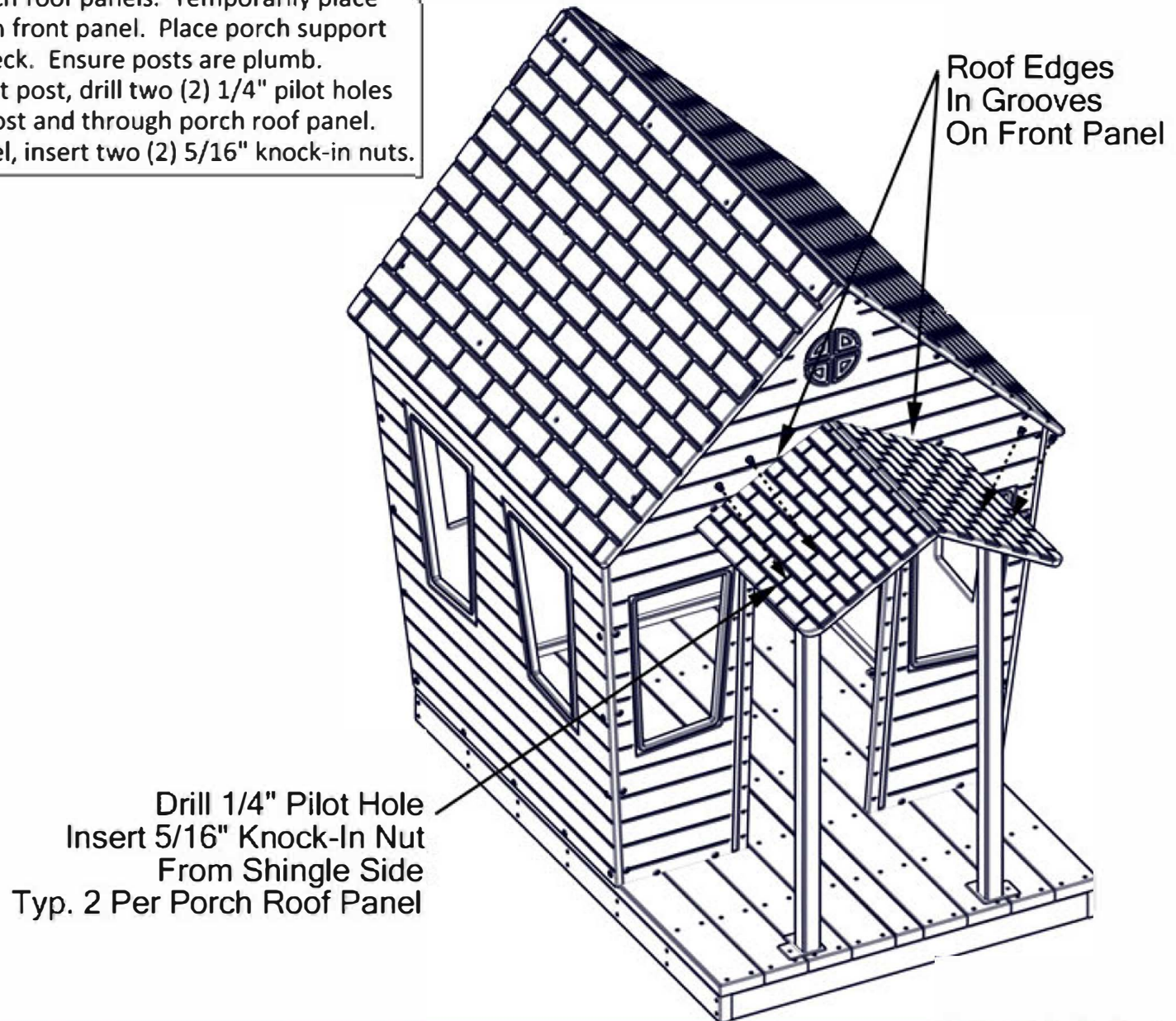
STEP 12
Repeat STEP 11 for left roof panel.

Secure With
1/4" x 1"
Self-Tapping Torx
Typ. 12



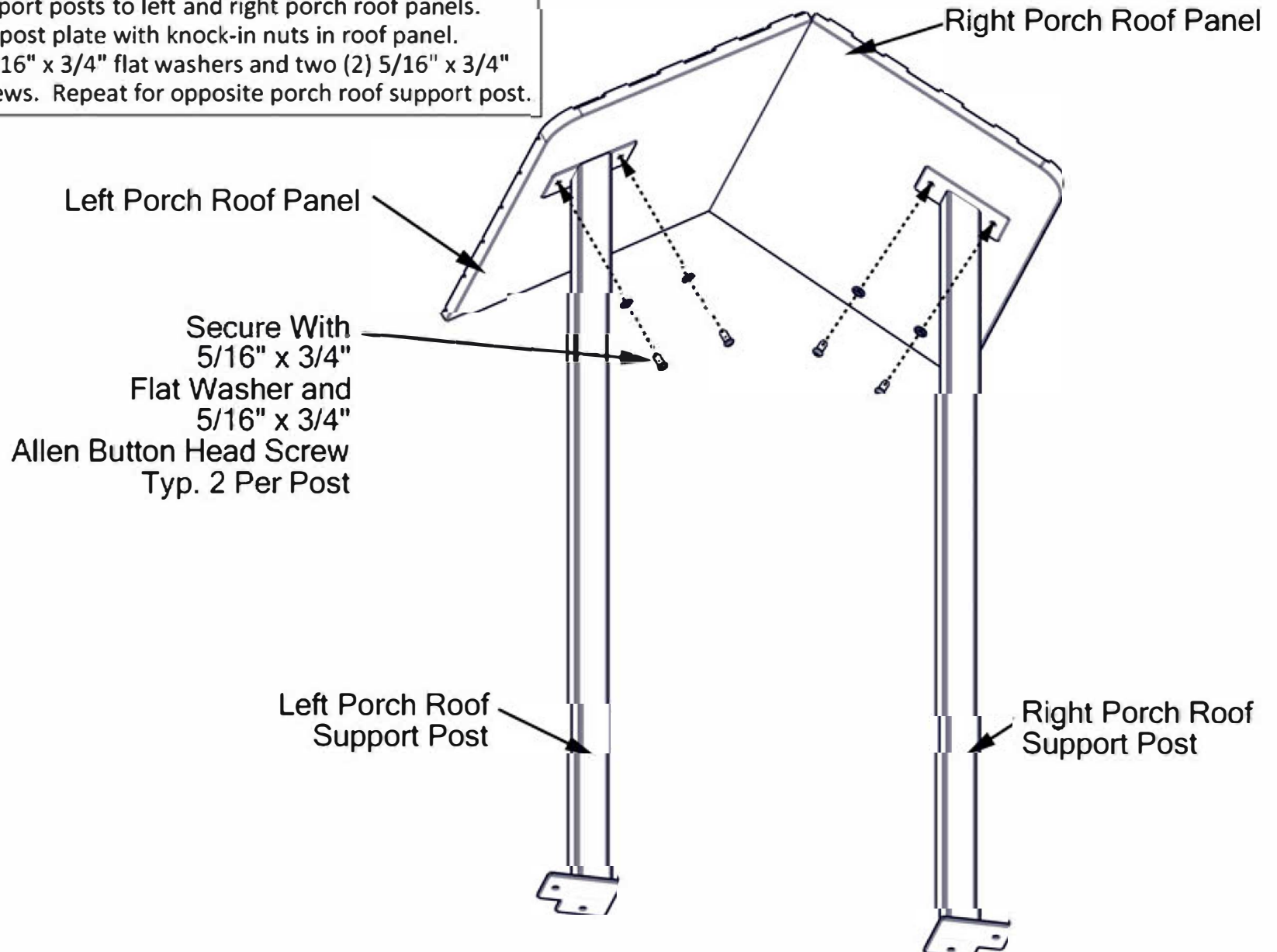
STEP 13

Secure knock-in nuts into porch roof panels. Temporarily place porch roof panels into slots on front panel. Place porch support posts 1" from front edge of deck. Ensure posts are plumb. At the top end of each support post, drill two (2) 1/4" pilot holes through top end of support post and through porch roof panel. From shingle side of roof panel, insert two (2) 5/16" knock-in nuts.



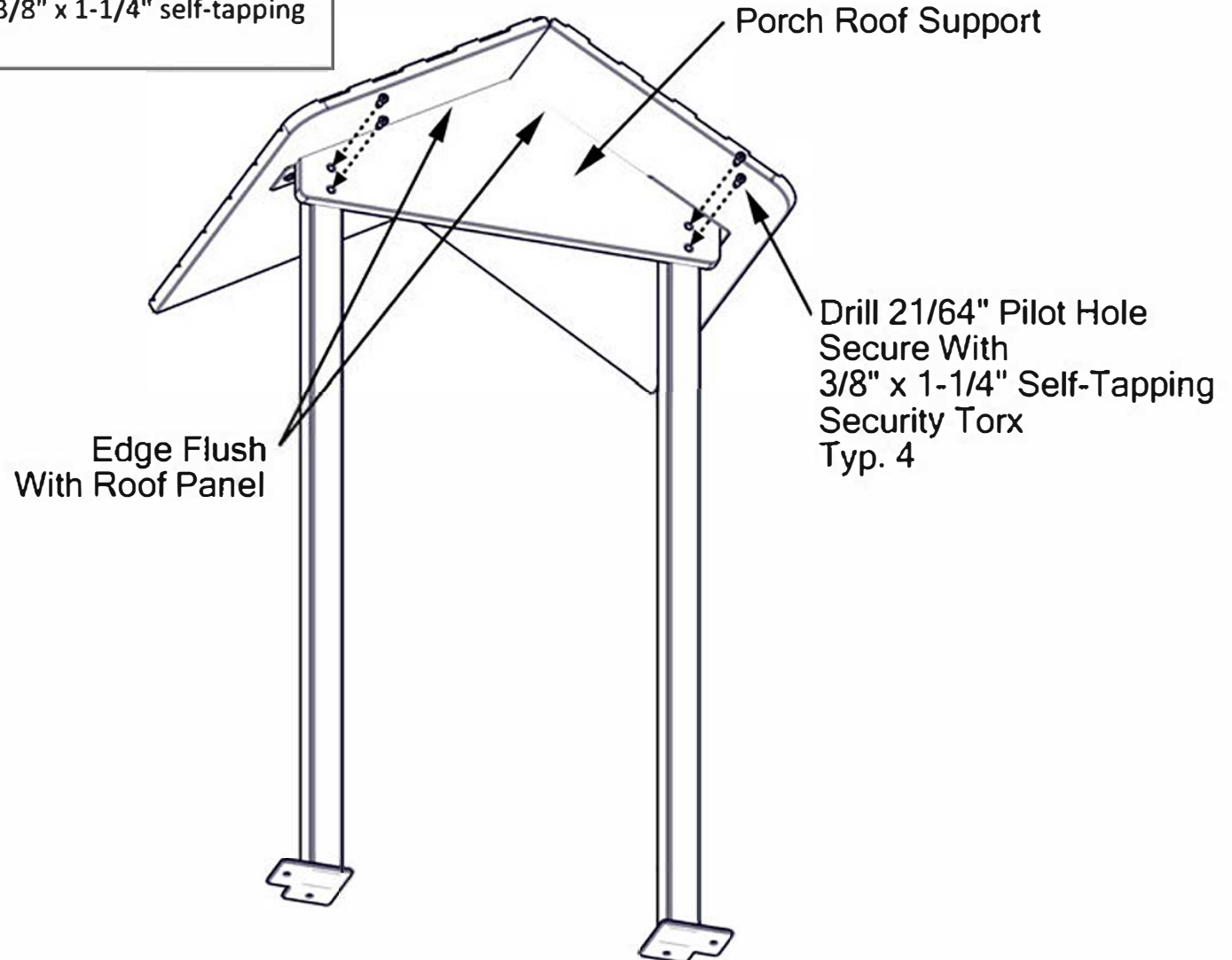
STEP 14

Mount porch roof support posts to left and right porch roof panels. Align holes in support post plate with knock-in nuts in roof panel. Secure with two (2) 5/16" x 3/4" flat washers and two (2) 5/16" x 3/4" Allen button head screws. Repeat for opposite porch roof support post.



STEP 15

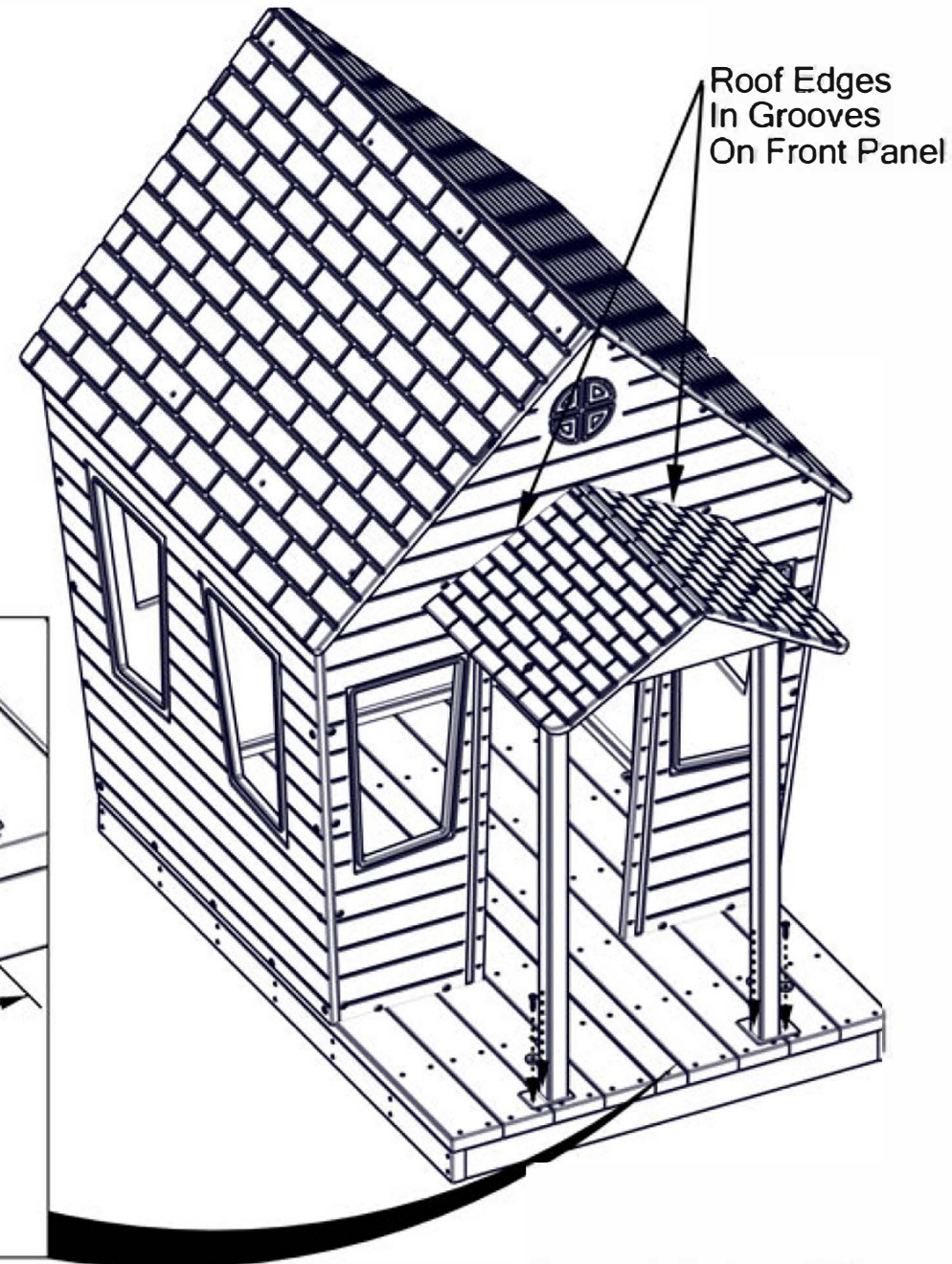
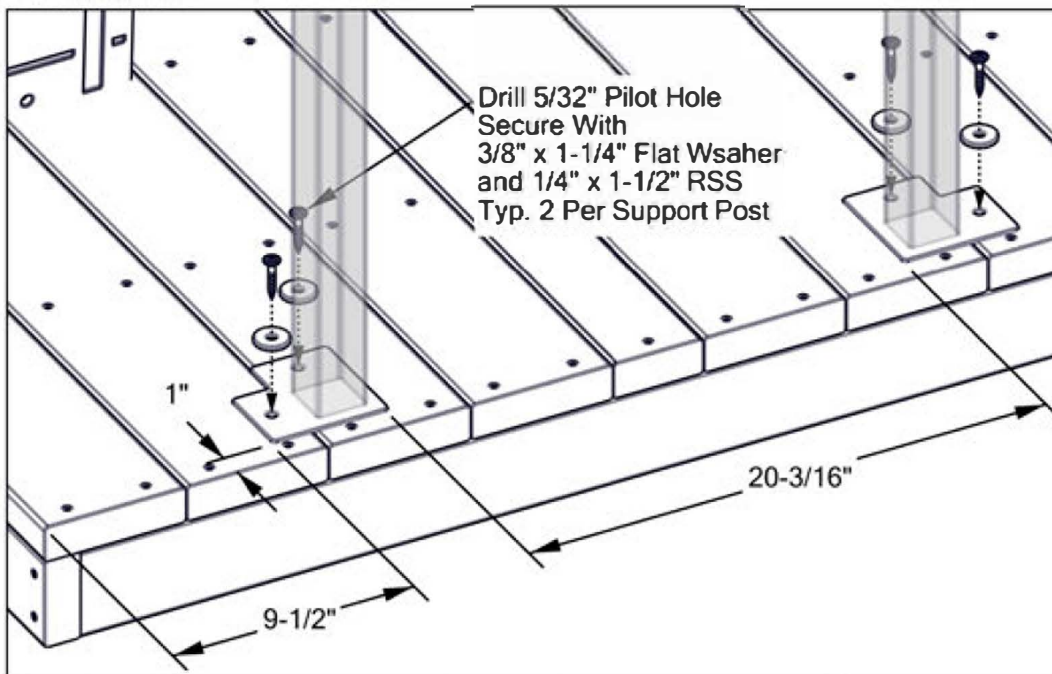
Mount porch roof support. Ensure top edge of roof support is flush against roof panels. Ensure pre-drilled holes in roof support are centered on support posts. At each pre-drilled hole in panel edge, drill one (1) 21/64" pilot hole through panel and into frame. Secure with one (1) 3/8" x 1-1/4" self-tapping security Torx.



STEP 16

Secure porch assembly to deck. Place porch assembly around front panel door. Place rear edges of porch roof into grooves on front panel. Place feet of support posts 1" from edge of deck. Ensure support posts are plumb. Drill two (2) 5/32" holes through support post foot into deck. Secure with two (2) 3/8" x 1-1/4" flat washers and two (2) 1/4" x 1-1/2" RSS. See Detail 16-1. Repeat for opposite support post.

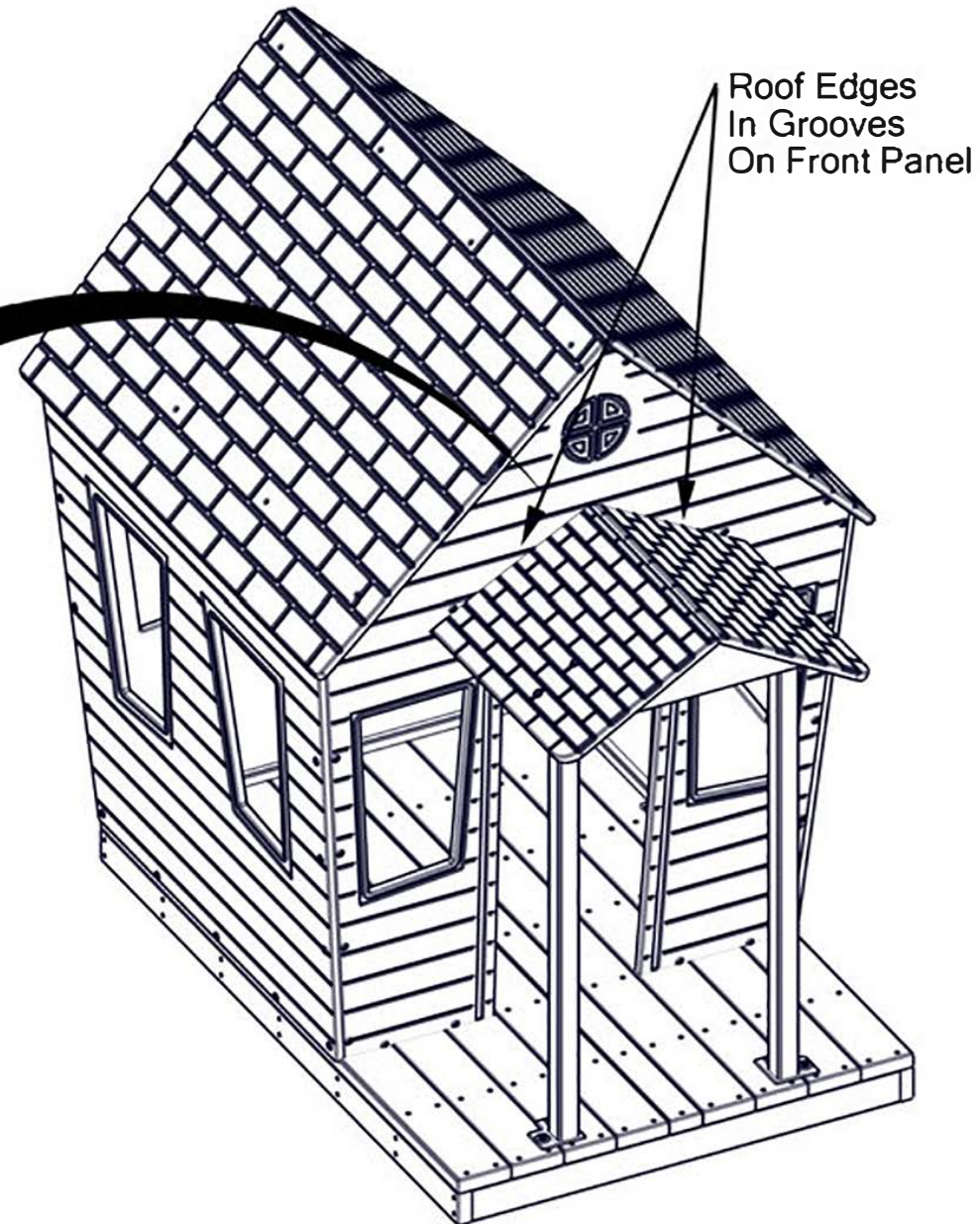
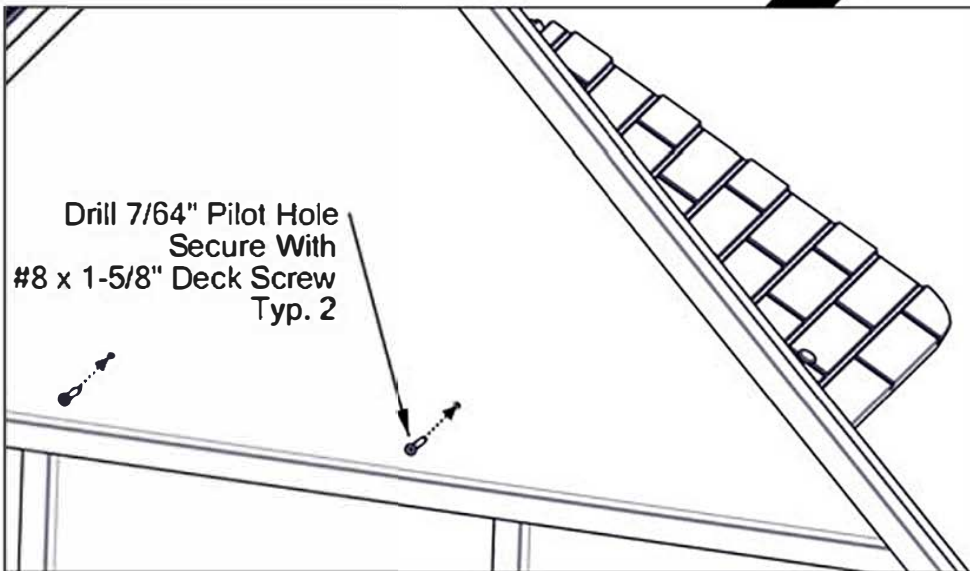
Detail 16-1



STEP 17

Secure porch roof edge to front panel. From inside house, drill two (2) 7/64" pilot holes through pre-drilled holes in front panel into edge of roof panels. Secure with two (2) #8 x 1-5/8" deck screws. See Detail 17-1.

Detail 17-1



STEP 18

Mount steeple to roof panels. Place steeple assembly 5" from gable end of roof. From inside house, drill four (4) 5/32" pilot holes through roof panels into steeple Trex base. Secure with four (4) 1/4" x 1-1/2" RSS. See Detail 18-1. Check all connections and ensure structure is stable. Installation is complete. Place one (1) Age Appropriate Sticker on structure in a clearly visible location.

Detail 18-1

